



# REMAKER SETUP SHEET

DRIVER	<input type="text"/>	CLASS	<input type="text"/>	COMPOSITION	<input type="text"/>	TRACK TEMP	<input type="text"/>		
TRACK	<input type="text"/>	RESULT Q	<input type="text"/>	F	<input type="text"/>	LAYOUT	<input type="text"/>	AIR TEMP	<input type="text"/>
EVENT	<input type="text"/>	BEST LAP	<input type="text"/>	SURFACE	<input type="text"/>	COMMENTS			
DATE	<input type="text"/>	BEST RUN	<input type="text"/>	LAPS	<input type="text"/>	TRACTION			<input type="text"/>

### TRANSMISSION

FRONT REAR  
 SPOOL  DIFF OIL  cst  
 DIFF   
 OIL  cst

SPUR PINION FDR

### SHOCKS

FRONT REAR

SPRING  
 cst  OIL  wt

PISTON MACHINED   
 HOLE IN CAP  mm REBOUND mm

BODY PROGRESSIVE  LINEAR   
 mm LENGTH mm

### TIRES

TIRES

ADDITIVE

ADDITIVE TIME Fr min/Rr min

WARMER TIME Fr min/Rr min

WARMER TEMP Fr deg/Rr deg

### BODY

TYPE

WEIGHT

WING

POSITION WINDSCREEN TO FRONT POST HOLE mm HEIGHT GROUND TO TOP OF REAR WING mm

### ELECTRONICS

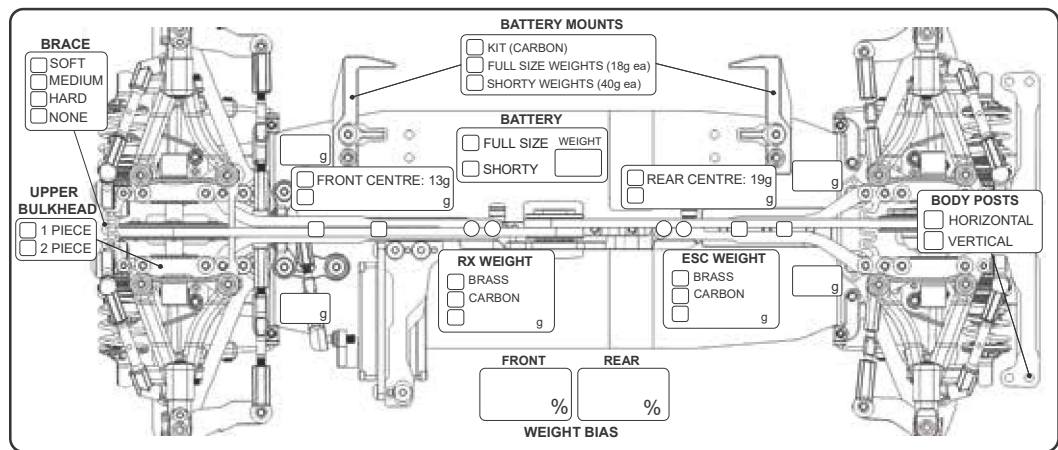
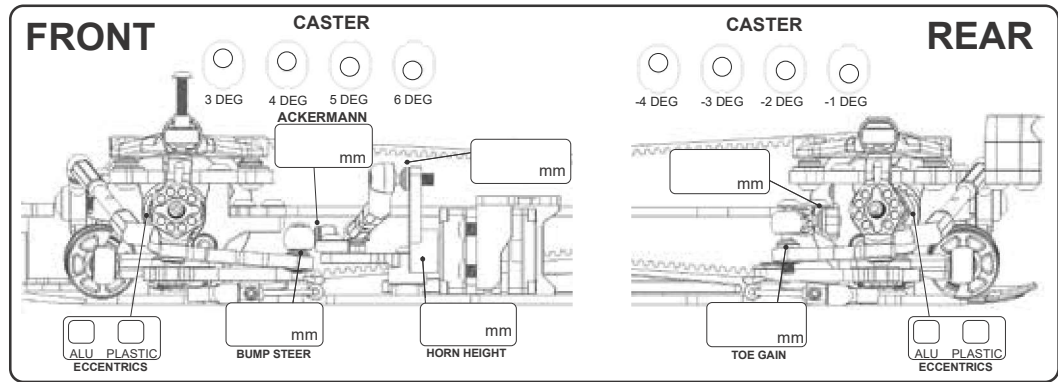
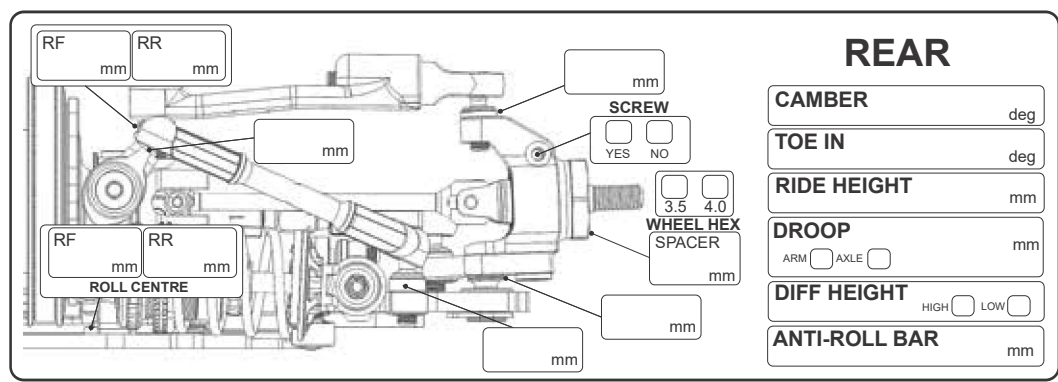
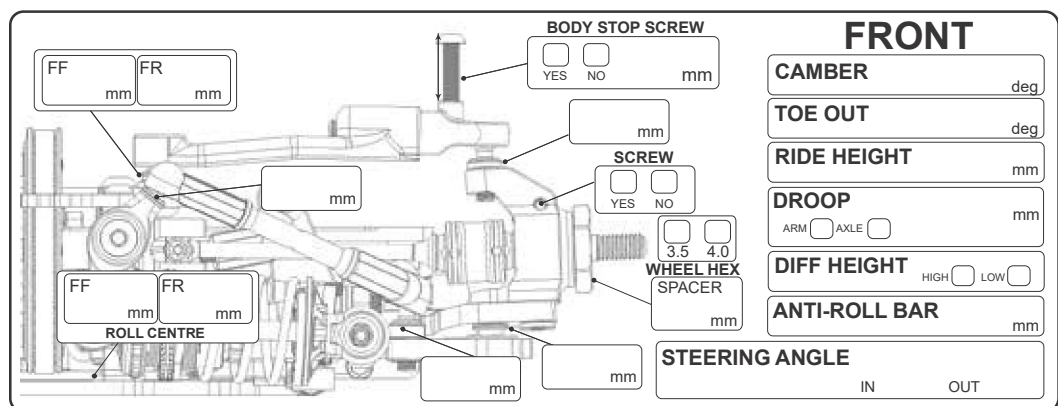
SERVO

ESC

MOTOR

BATTERY

### NOTES



FRONT REAR TOPDECK CHASSIS

MOTORMOUNT

FRONT CENTRE WEIGHT SHIM mm REAR CENTRE WEIGHT SHIM mm

STD CARBON (2.2mm) OTHER

STD CARBON (2.2mm) HARD CARBON (2.2mm) ALUMINIUM (2.0mm) OTHER