

**TRACK CONDITION**

ENVIRONMENT: INDOOR  OUTDOOR   
 COMPOSITION: CARPET  ASPHALT   
 TRACTION: LOW  MEDIUM  HIGH   
 LAYOUT: SLOW  MIXED  FAST   
 SURFACE: BUMPY  SMOOTH   
 NOTES \_\_\_\_\_

**ELECTRONICS**

MOTOR: \_\_\_\_\_ TIMING: \_\_\_\_\_  
 PINION: \_\_\_\_\_ SPUR: \_\_\_\_\_  
 ESC: \_\_\_\_\_  
 BATTERY: \_\_\_\_\_  
 SERVO: \_\_\_\_\_  
 RECEIVER: \_\_\_\_\_

**SHOCK ABSORBERS**

FRONT \_\_\_\_\_ REAR \_\_\_\_\_  
 PISTON: \_\_\_\_\_ PISTON: \_\_\_\_\_  
 OIL: \_\_\_\_\_ OIL: \_\_\_\_\_  
 SPRING: \_\_\_\_\_ SPRING: \_\_\_\_\_  
 REBOUND: \_\_\_\_\_ REBOUND: \_\_\_\_\_

NOTES \_\_\_\_\_

**ANTI-ROLL BAR**

FRONT: 1.0  1.1  1.2  \_\_\_\_\_  
 REAR: 1.0  1.1  1.2  \_\_\_\_\_

**TIRES & WHEELS**

TIRE: \_\_\_\_\_  
 INSERT: \_\_\_\_\_  
 WHEEL: \_\_\_\_\_  
 TREATMENT: \_\_\_\_\_

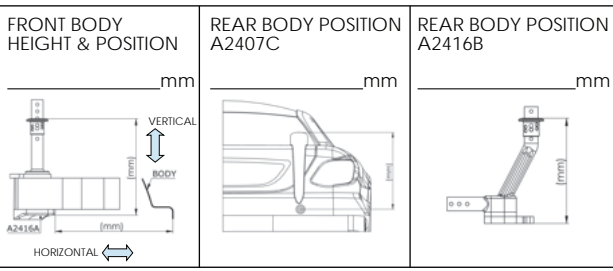
NOTES \_\_\_\_\_

**REAR DIFFERENTIAL**

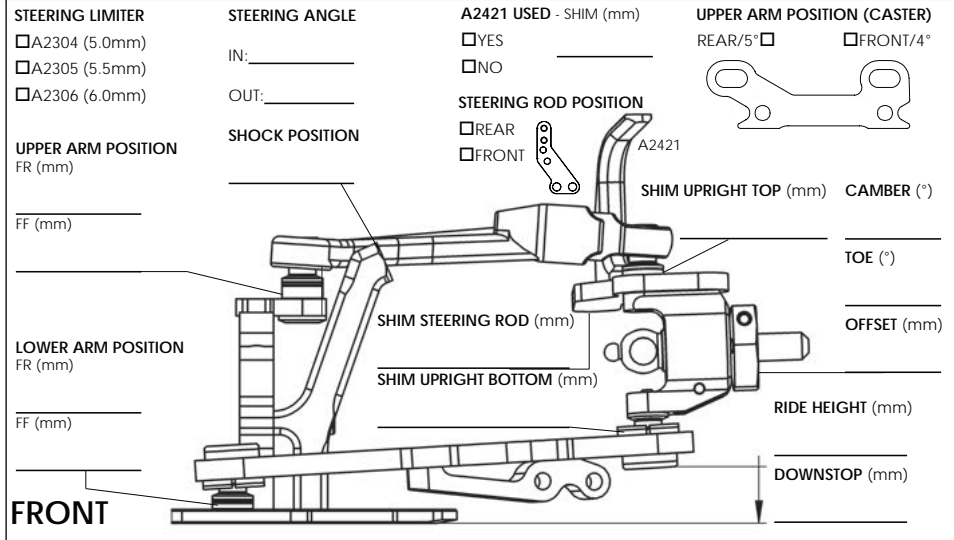
OIL: \_\_\_\_\_ / \_\_\_\_\_ g

**AERODYNAMICS**

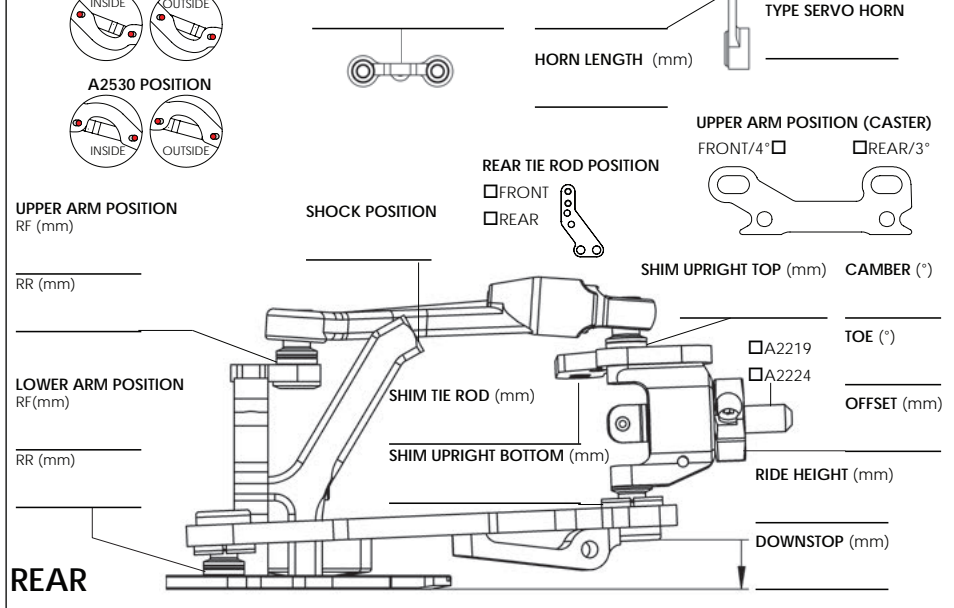
BODY: \_\_\_\_\_  
 WING: \_\_\_\_\_  
 WING POSITION: \_\_\_\_\_ mm  
 BODY POSITION  
 HORIZONTAL: \_\_\_\_\_ mm  
 VERTICAL \_\_\_\_\_



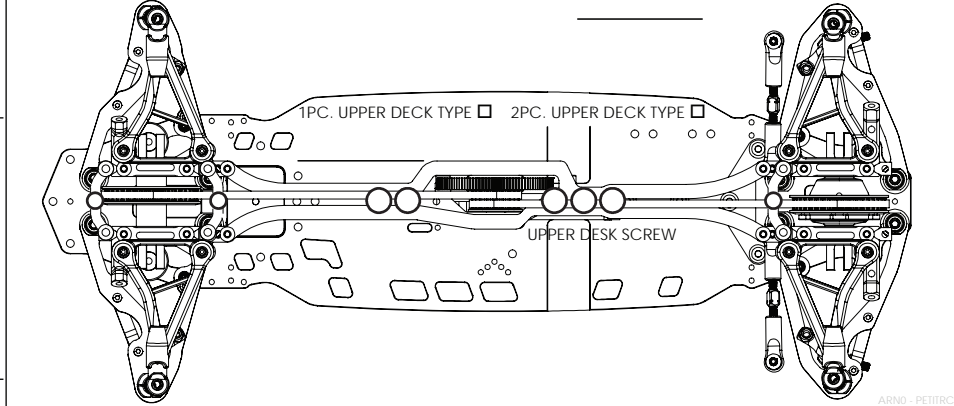
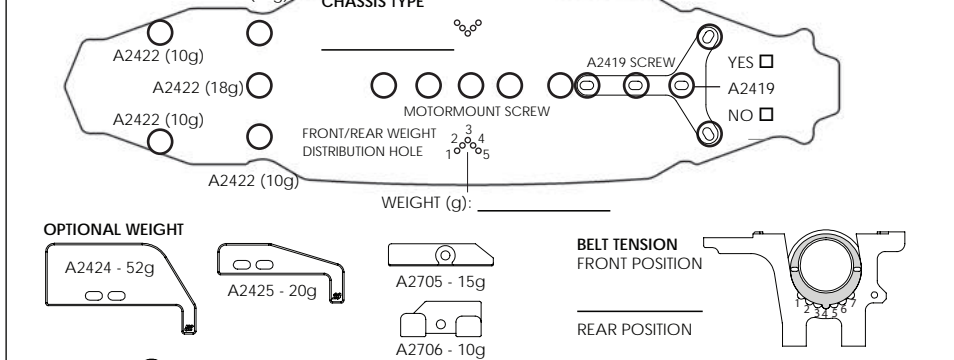
NOTES \_\_\_\_\_



**FRONT**



**REAR**



**COMMENTS**