

TRACK CONDITION

ENVIRONMENT: INDOOR OUTDOOR
 COMPOSITION: CARPET ASPHALT
 TRACTION: LOW MEDIUM HIGH
 LAYOUT: SLOW MIXED FAST
 SURFACE: BUMPY SMOOTH
 NOTES _____

ELECTRONICS

MOTOR: _____ TIMING: _____
 PINION: _____ SPUR: _____
 ESC: _____
 BATTERY: _____
 SERVO: _____
 RECEIVER: _____

SHOCK ABSORBERS

FRONT _____ REAR _____
 PISTON: _____ PISTON: _____
 OIL: _____ OIL: _____
 SPRING: _____ SPRING: _____
 REBOUND: _____ REBOUND: _____

NOTES

ANTI-ROLL BAR

FRONT: 1.0 1.1 1.2 _____
 REAR: 1.0 1.1 1.2 _____

TIRES & WHEELS

TIRE: _____
 INSERT: _____
 WHEEL: _____
 TREATMENT: _____

NOTES

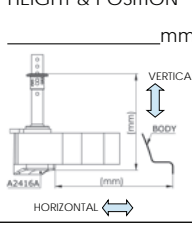
REAR DIFFERENTIAL

OIL: _____ / _____ g

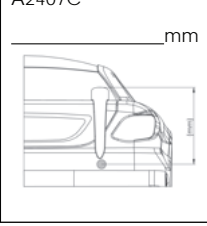
AERODYNAMICS

BODY: _____
 WING: _____
 WING POSITION: _____ mm
 BODY POSITION
 HORIZONTAL: _____ mm
 VERTICAL _____

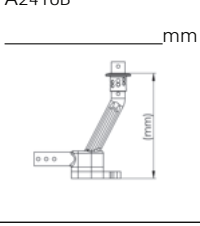
FRONT BODY HEIGHT & POSITION



REAR BODY POSITION A2407C



REAR BODY POSITION A2416B



NOTES

STEERING LIMITER

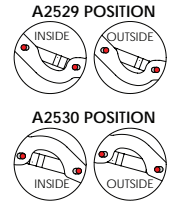
A2304 (5.0mm)
 A2305 (5.5mm)
 A2306 (6.0mm)

UPPER ARM POSITION

FR (mm) _____
 FF (mm) _____

LOWER ARM POSITION

FR (mm) _____
 FF (mm) _____

FRONT**UPPER ARM POSITION**

RF (mm) _____
 RR (mm) _____

LOWER ARM POSITION

RF (mm) _____
 RR (mm) _____

REAR**STEERING ANGLE**

IN: _____
 OUT: _____

SHOCK POSITION

FRONT REAR

A2421 USED - SHIM (mm)

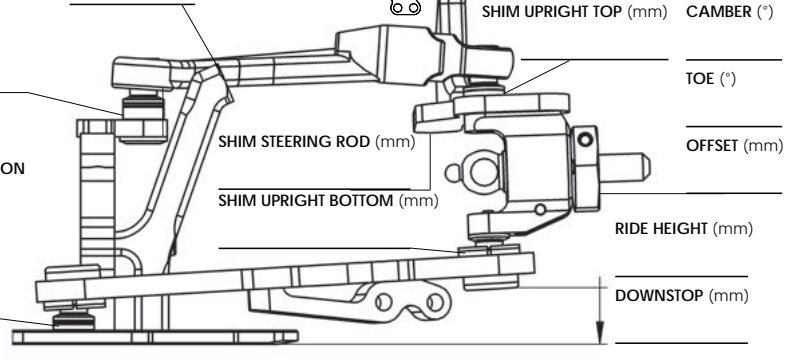
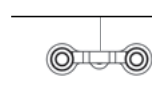
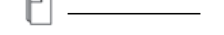
YES
 NO

STEERING ROD POSITION

REAR FRONT

UPPER ARM POSITION (CASTER)

REAR/5° FRONT/4°

**ACKERMANN SHIM (mm)****HORN SHIM (mm)****TYPE SERVO HORN****HORN LENGTH (mm)****REAR TIE ROD POSITION**

FRONT REAR

UPPER ARM POSITION (CASTER)

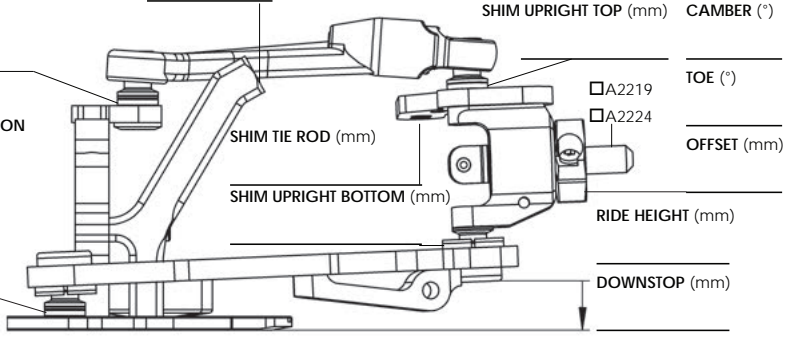
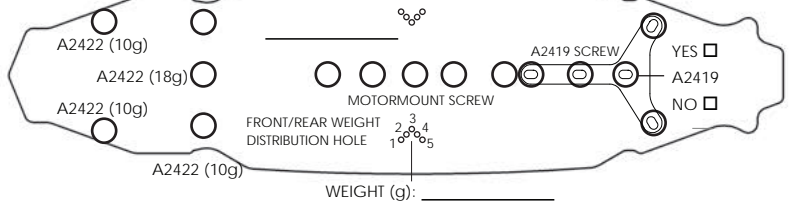
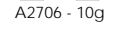
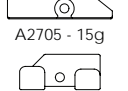
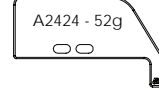
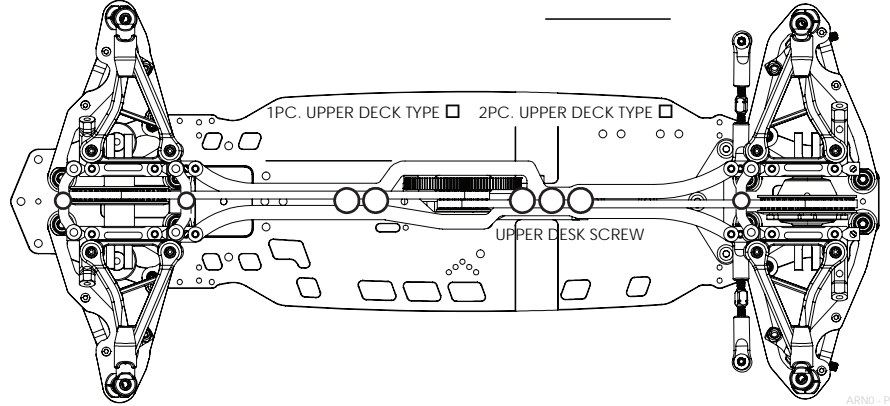
FRONT/4° REAR/3°

UPPER ARM POSITION

RF (mm) _____
 RR (mm) _____

LOWER ARM POSITION

RF (mm) _____
 RR (mm) _____

**A2422 (10g)****A2422 (10g)****A2422 (18g)****A2422 (10g)****A2422 (10g)****BATTERY ROD POSITION FRONT REAR** **CHASSIS TYPE****MOTORMOUNT SCREW****FRONT/REAR WEIGHT DISTRIBUTION HOLE****WEIGHT (g):****OPTIONAL WEIGHT****BELT TENSION FRONT POSITION****REAR POSITION****COMMENTS**