



DRIVER: \_\_\_\_\_

TRACK/EVENT: \_\_\_\_\_

DATE: \_\_\_\_\_



### TRACK CONDITION

ENVIRONMENT: INDOOR  OUTDOOR   
 COMPOSITION: CARPET  ASPHALT   
 TRACTION: LOW  MEDIUM  HIGH   
 LAYOUT: SLOW  MIXED  FAST   
 SURFACE: BUMPY  SMOOTH   
 NOTES \_\_\_\_\_

### ELECTRONICS

MOTOR: \_\_\_\_\_ TIMING: \_\_\_\_\_  
 PINION: \_\_\_\_\_ SPUR: \_\_\_\_\_  
 ESC: \_\_\_\_\_  
 BATTERY: \_\_\_\_\_  
 SERVO: \_\_\_\_\_  
 RECEIVER: \_\_\_\_\_

### SHOCK ABSORBERS

FRONT \_\_\_\_\_ REAR \_\_\_\_\_  
 PISTON: \_\_\_\_\_ PISTON: \_\_\_\_\_  
 OIL: \_\_\_\_\_ OIL: \_\_\_\_\_  
 SPRING: \_\_\_\_\_ SPRING: \_\_\_\_\_  
 REBOUND: \_\_\_\_\_ REBOUND: \_\_\_\_\_

NOTES \_\_\_\_\_

### ANTI-ROLL BAR

FRONT: 1.0  1.1  1.2  \_\_\_\_\_   
 REAR: 1.0  1.1  1.2  \_\_\_\_\_

### TIRES & WHEELS

TIRE: \_\_\_\_\_  
 INSERT: \_\_\_\_\_  
 WHEEL: \_\_\_\_\_  
 TREATMENT: \_\_\_\_\_

NOTES \_\_\_\_\_

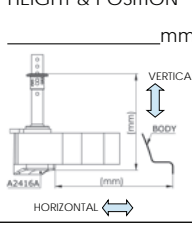
### REAR DIFFERENTIAL

OIL: \_\_\_\_\_ / \_\_\_\_\_ g

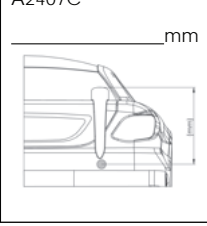
### AERODYNAMICS

BODY: \_\_\_\_\_  
 WING: \_\_\_\_\_  
 WING POSITION: \_\_\_\_\_ mm  
 BODY POSITION  
 HORIZONTAL: \_\_\_\_\_ mm  
 VERTICAL \_\_\_\_\_

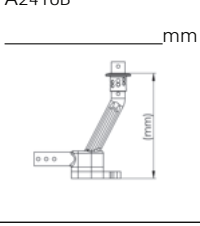
#### FRONT BODY HEIGHT & POSITION



#### REAR BODY POSITION A2407C



#### REAR BODY POSITION A2416B



NOTES \_\_\_\_\_

### STEERING LIMITER

A2304 (5.0mm)  
 A2305 (5.5mm)  
 A2306 (6.0mm)

### STEERING ANGLE

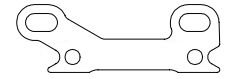
IN: \_\_\_\_\_  
 OUT: \_\_\_\_\_

### A2421 USED - SHIM (mm)

YES  
 NO

### UPPER ARM POSITION (CASTER)

REAR/5°  FRONT/4°



### UPPER ARM POSITION FR (mm)

FF (mm) \_\_\_\_\_

### SHOCK POSITION

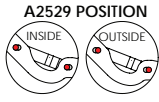
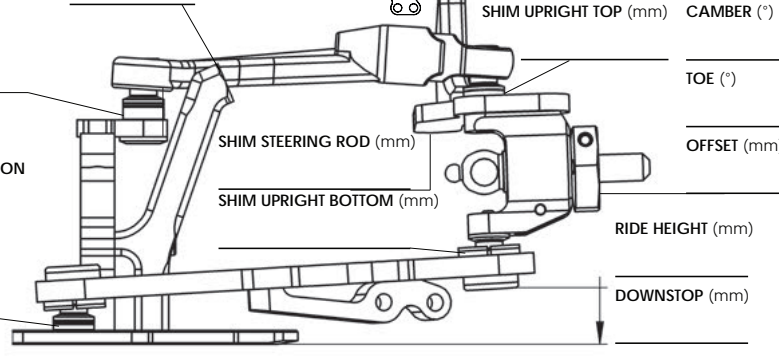
### STEERING ROD POSITION

REAR  
 FRONT

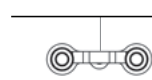
### LOWER ARM POSITION FR (mm)

FF (mm) \_\_\_\_\_

### FRONT



### ACKERMANN SHIM (mm)

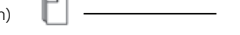


### HORN SHIM (mm)



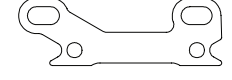
### TYPE SERVO HORN

### HORN LENGTH (mm)



### UPPER ARM POSITION (CASTER)

FRONT/4°  REAR/3°



### UPPER ARM POSITION RF (mm)

RR (mm) \_\_\_\_\_

### SHOCK POSITION

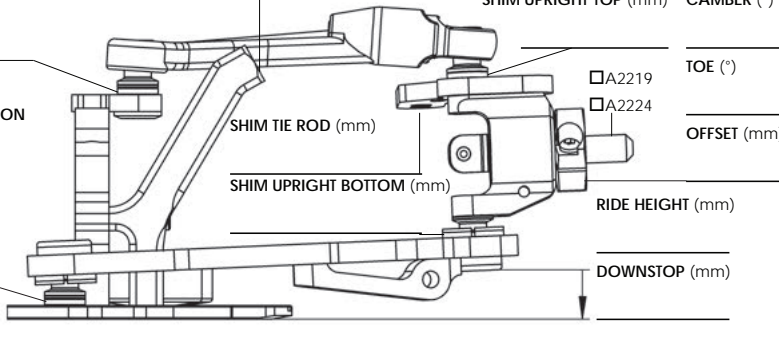
### REAR TIE ROD POSITION

FRONT  
 REAR

### LOWER ARM POSITION RF (mm)

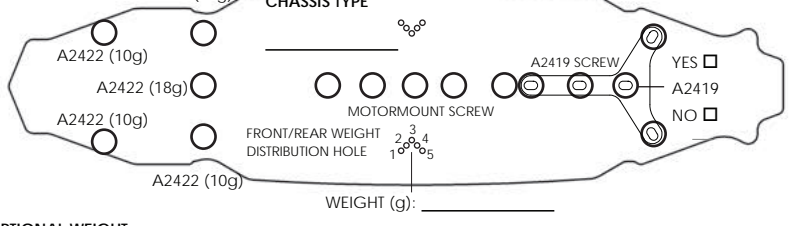
RR (mm) \_\_\_\_\_

### REAR

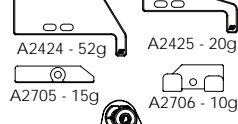


### BATTERY ROD POSITION FRONT REAR

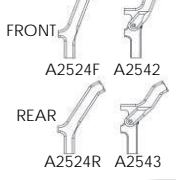
### CHASSIS TYPE



### OPTIONAL WEIGHT



### SHOCK TOWER



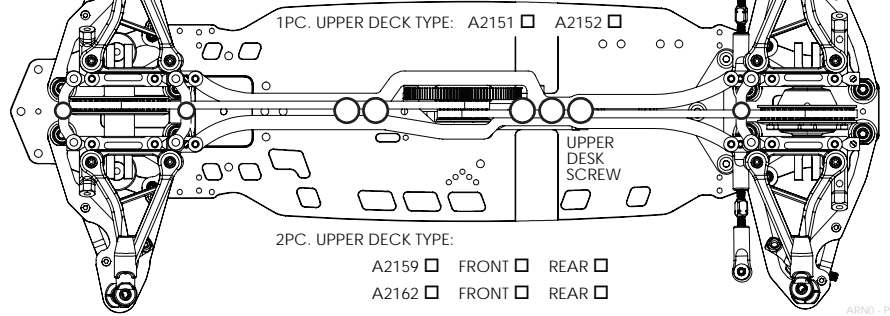
### BELT TENSION FRONT POSITION



### REAR POSITION



### 1PC. UPPER DECK TYPE: A2151 A2152



### 2PC. UPPER DECK TYPE:

A2159  FRONT  REAR   
 A2162  FRONT  REAR

### COMMENTS