



DRIVER: Felix Birke

TRACK/EVENT: TOS Wiesbaden

DATE: 22.08.21



TRACK CONDITION

ENVIRONMENT: INDOOR OUTDOOR
 COMPOSITION: CARPET ASPHALT
 TRACTION: LOW MEDIUM HIGH
 LAYOUT: SLOW MIXED FAST
 SURFACE: BUMPY SMOOTH
 NOTES

ELECTRONICS

MOTOR: HW 5.5T TIMING: 30
 PINION: 29 SPUR: 110
 ESC: Hobbywing XR10 Pro G2
 BATTERY: iP 6000
 SERVO: Power HD R12
 RECEIVER: Ruddog RR482

SHOCK ABSORBERS

FRONT REAR
 PISTON: std PISTON: std
 OIL: 400 OIL: 400
 SPRING: 7.0P SPRING: 6.5
 REBOUND: 0 REBOUND: 0

NOTES

ANTI-ROLL BAR

FRONT: 1.0 1.1 1.2
 REAR: 1.0 1.1 1.2

TIRES & WHEELS

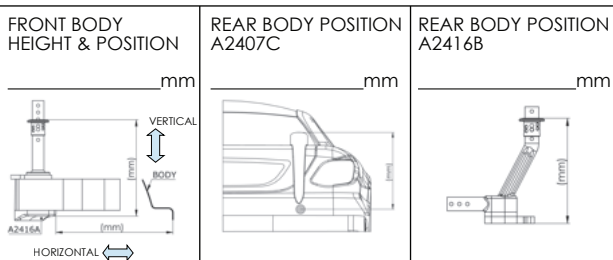
TIRE: Matrix ETS 36
 INSERT: std
 WHEEL: std
 TREATMENT: MR33 V3 Asphalt
10 Min with Tire Warmers at 65C

REAR DIFFERENTIAL

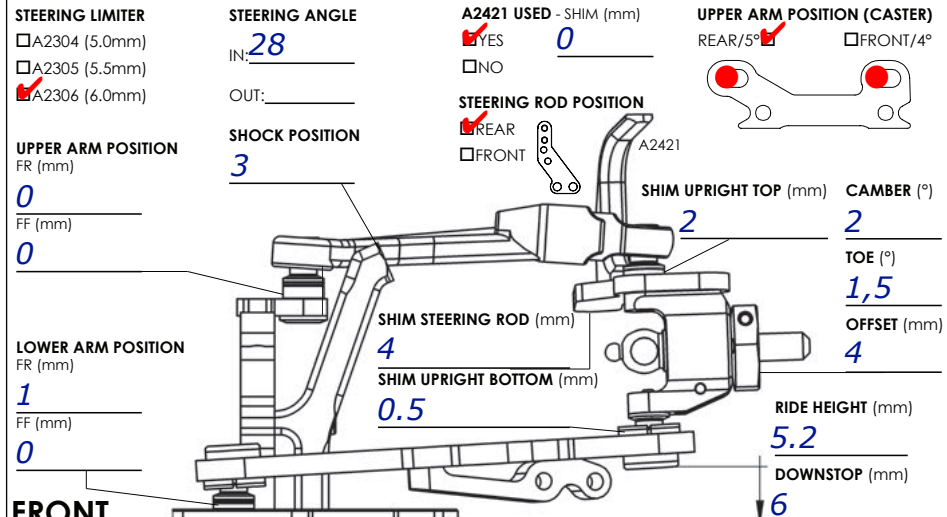
OIL: Arrowmax 5000 / 1,5g

AERODYNAMICS

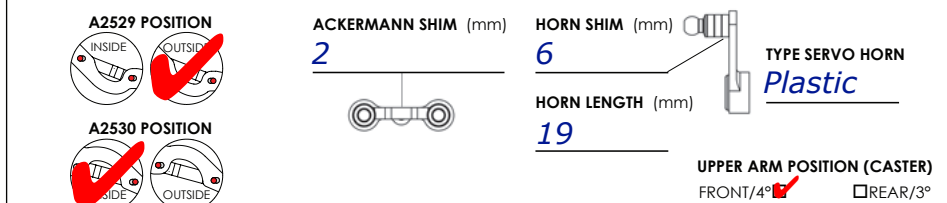
BODY: Xtreme Twister 0,7
 WING: std
 WING POSITION: neutral mm
 BODY POSITION
 HORIZONTAL: _____ mm
 VERTICAL



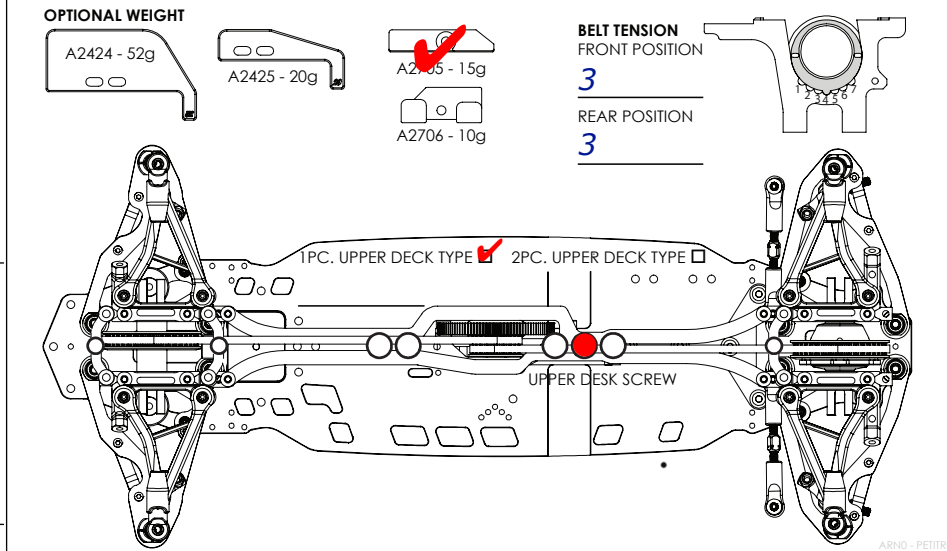
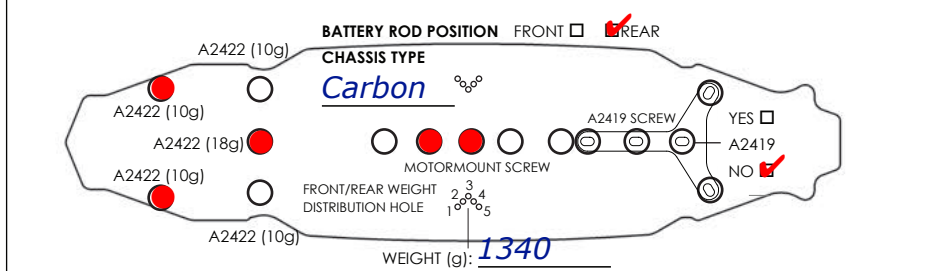
NOTES



FRONT



REAR



20g A2423 below Receiver