

MTC2R SETUP SHEET

NAME: _____ DATE: _____

TRACK: _____ RACE: _____

TRACK SURFACE: CARPET ASPHALT

LAYOUT: TECHNICAL MIXED FAST

TRACTION: LOW MEDIUM HIGH

ELECTRONICS

SERVO: _____ ESC: _____

BATTERY: _____ MOTOR/TIMING: _____

NOTES: _____

TIRES

BRAND/TYPE F/R: _____

ADDITIVE F/R: _____

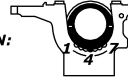
ADDITIVE TIMING F/R: _____

WARMER° F/R: _____

TRANSMISSION

PINION: _____ SPUR: A2248D(Alu):

DIFF OIL CST: _____ OIL WEIGHT (qty.): _____

BELT TENSION:  FRONT: 1 2 3 4 5 6 7 REAR: 1 2 3 4 5 6 7

SHOCK'S FRONT: _____ REAR: _____

SHOCK CASE: _____

PISTON: _____

OIL: _____

SPRING: _____

LENGTH: _____

ANTI ROLL BAR FRONT: _____ REAR: _____

OPTIONAL WEIGHT

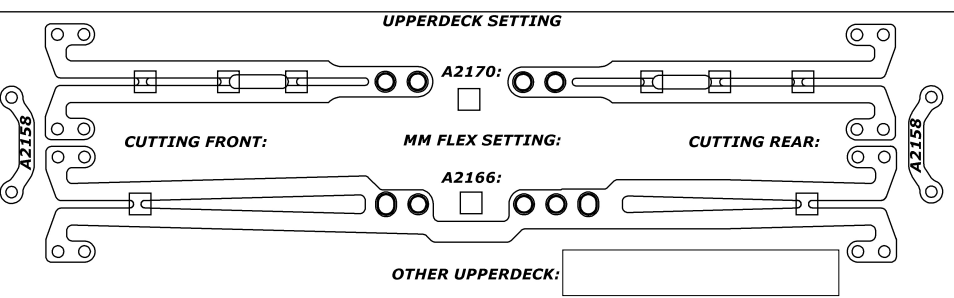
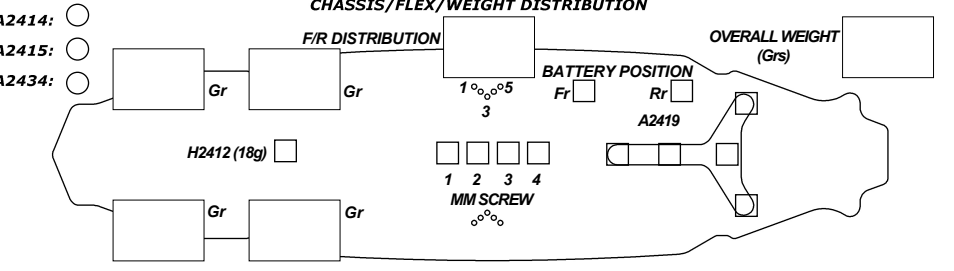
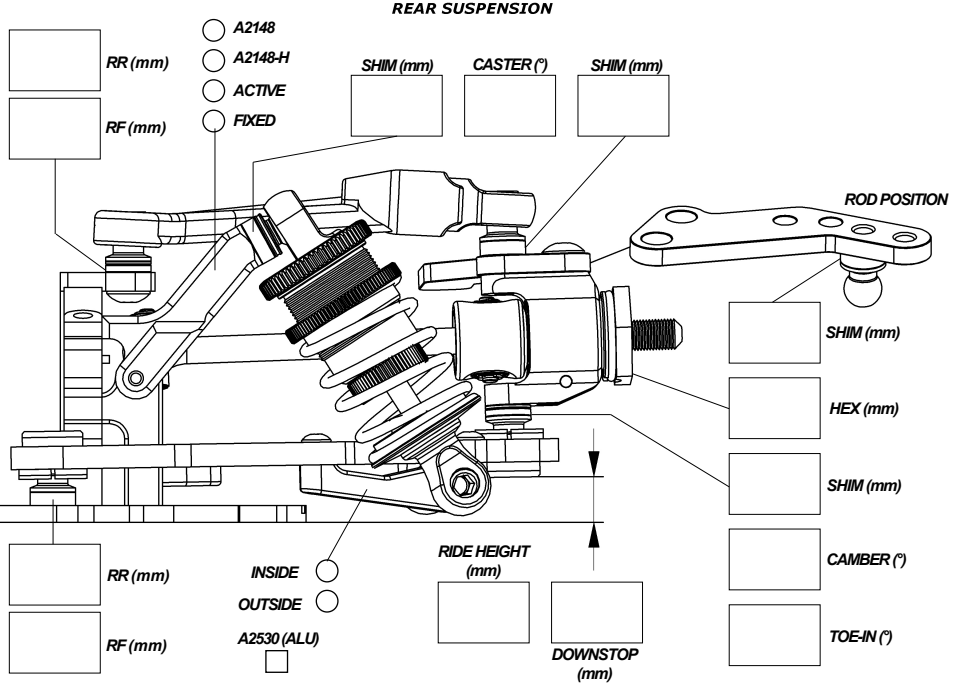
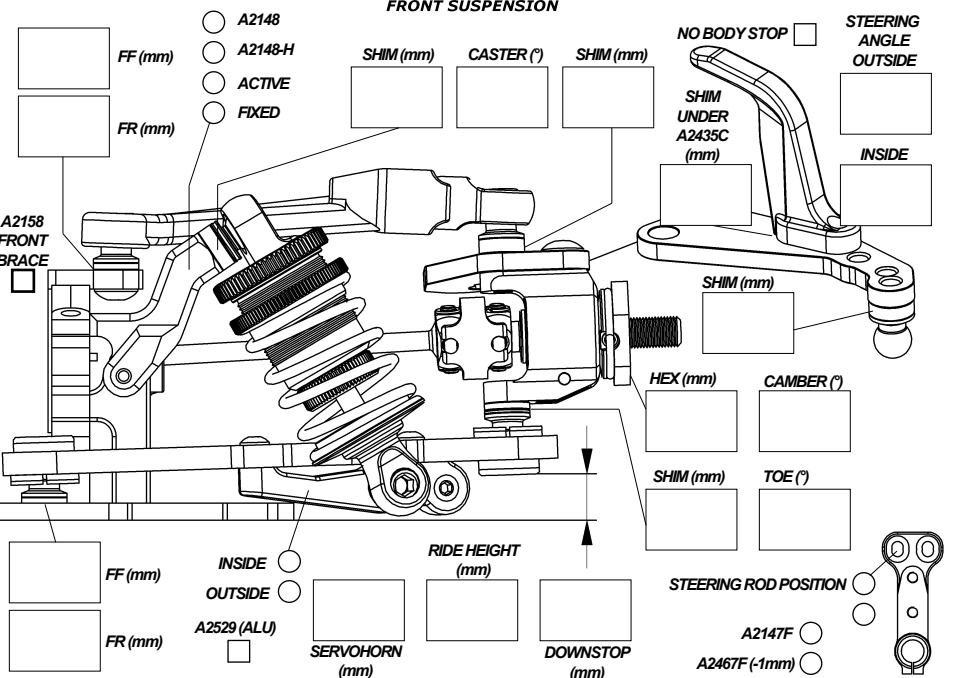
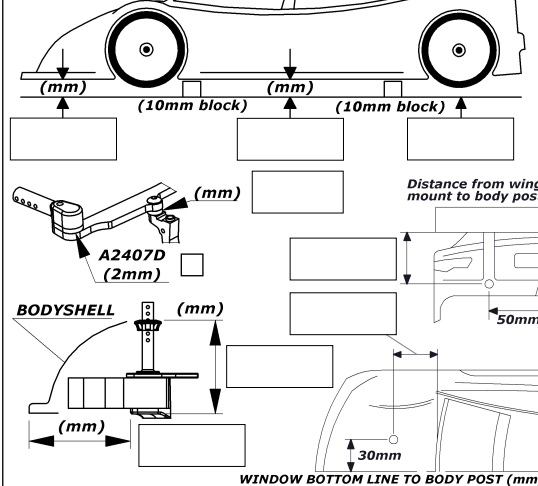
A2423 A2424 A2425 A2704 A2705

BODYSHELL

TYPE: _____ WING TYPE: _____

WING POS: _____ OVERALL WEIGHT: _____

STIFFENER:



COMMENTS: _____