

SETUP SHEET

Driver _____
Race _____
Track _____
Date _____

Track Conditions

Composition Asphalt Carpet
Environment Outdoor Indoor
Layout Technical Mixed Fast
Traction Low Medium High
Surface Flat Bumpy

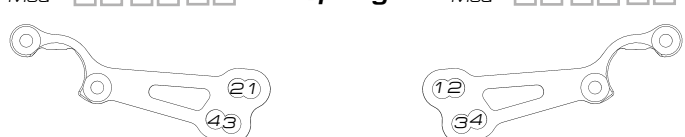
Transmission

Gear Diff oil/cst: _____
Gear Diff oil/grs _____
Spur _____
Pinion _____
Final Drive Ratio (1.9) _____

Belt Width

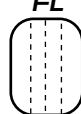
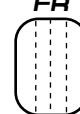


Front _____
Middle _____
Rear _____

Front	Shocks	Rear
_____	Spring	_____
_____	Oil	_____
_____	Piston	_____
Soft 3mm 5mm 7mm Med <input type="checkbox"/> <input type="checkbox"/> <input type="checkbox"/>	Internal shock spring	Soft 3mm 5mm 7mm Med <input type="checkbox"/> <input type="checkbox"/> <input type="checkbox"/>



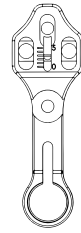
Front		Rear
_____	Stabilizer Thickness	_____
_____	Weight balance %	_____

Tyres _____
Additive _____
Additive time _____
Treated Area

FL	FR	RL	RR
			

Motor _____	Timing _____
ESC _____	Battery _____
Body _____	Wing _____

Chassis
 Carbon Alu Linear Flex 13g 15g



Ackermann setting

_____ mm

Steering lock inside tire

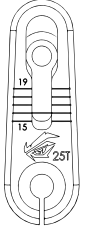
_____ degree

Screw diameter

_____ mm

Servo arm length

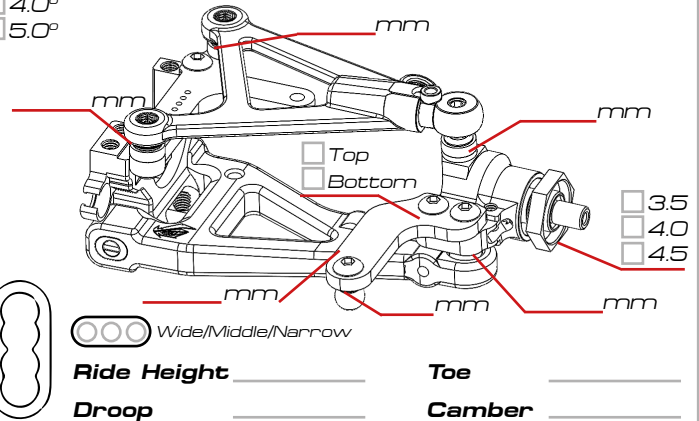
_____ mm



FRONT

Caster
 4.0°
 5.0°

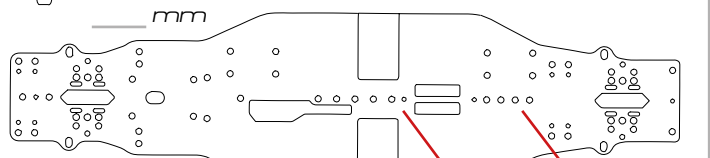
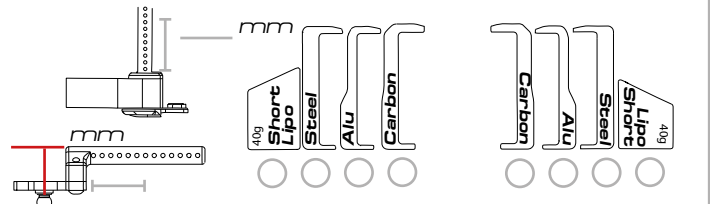
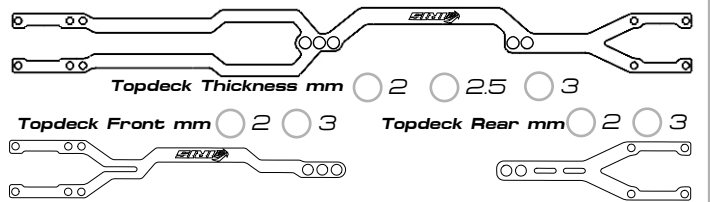
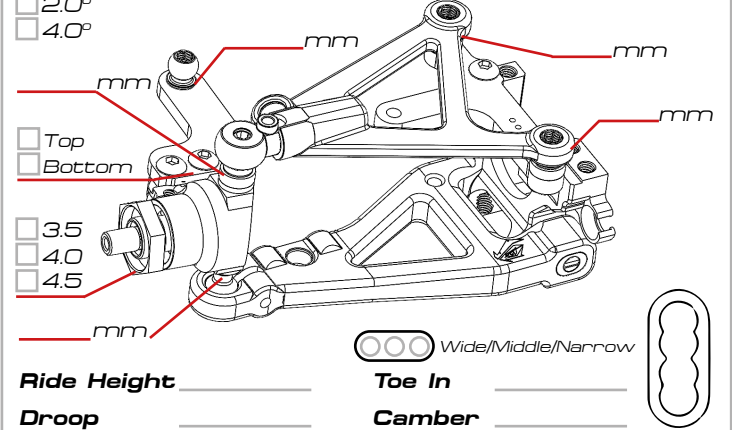
Lower Arm Medium Hard
Upper Arm Mount Std -1mm



REAR

Caster
 2.0°
 4.0°

Lower Arm Medium Hard
Upper Arm Mount Std -1mm



Chassis
 Carbon Alu Linear Flex 13g 15g