

SET-UP SHEET

Driver _____
Race _____
Trackname _____
Date _____

Track conditions

Surface Asphalt Outdoor Asphalt Indoor Carpet
Layout Tech Med Fast
traction Low Med High


Transmission

Gear diff oil/cst: _____
Gear diff oil/grams: _____
Spurgear _____
Pinion _____
Final drive ratio (1.9) _____

Belt width

Front _____
Middle _____
Rear _____

Front	Shocks	Rear
_____	Spring	_____
_____	Oil	_____
_____	Piston	_____
soft (silver) <input type="checkbox"/> 3mm <input type="checkbox"/> 5mm	Internal shock spring	soft (silver) <input type="checkbox"/> 3mm <input type="checkbox"/> 5mm
med (black) <input type="checkbox"/> <input type="checkbox"/> <input type="checkbox"/>		med (black) <input type="checkbox"/> <input type="checkbox"/> <input type="checkbox"/>

HEAVE SHOCK 

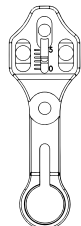
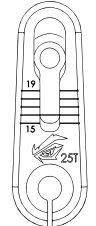
Spring _____ **Oil** _____ **Preload** _____

Front	Stabilizer Thickness	Rear
_____		_____
_____	Weight balance %	_____

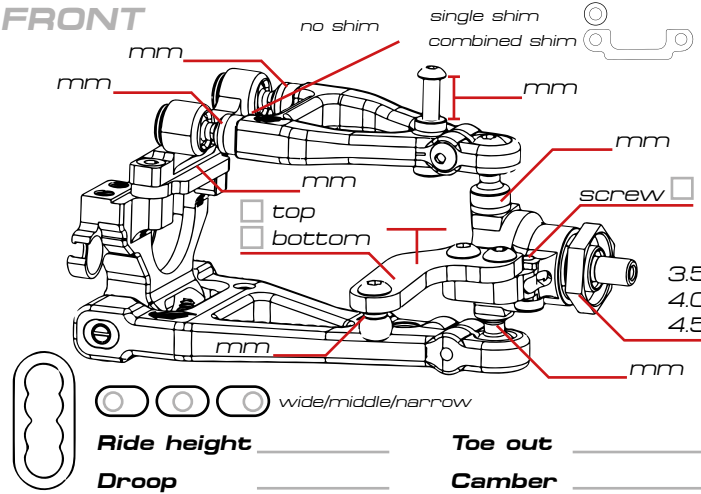
Front	Tires	Rear
_____	Additive	_____
	Additive time	_____
	Treated area	

Motor _____ **Timing** _____
ESC _____ **Batteries** _____
Body _____ **Wing** _____

Ackermann setting _____ mm
Servo arm length _____ mm
Steering lock inside tire _____ degree
Screw diameter _____ mm

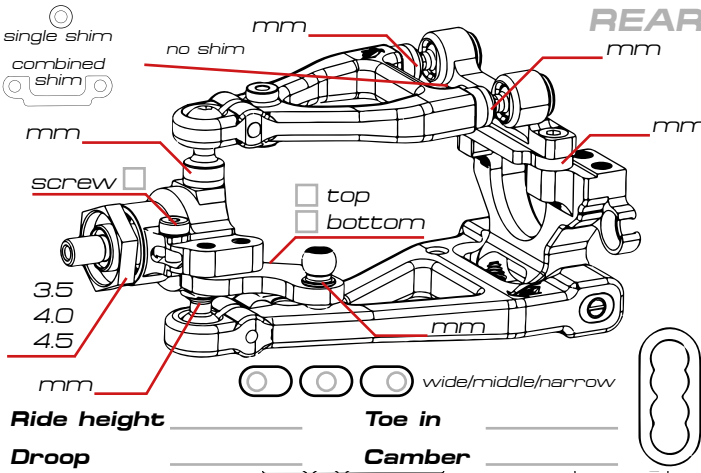



FRONT



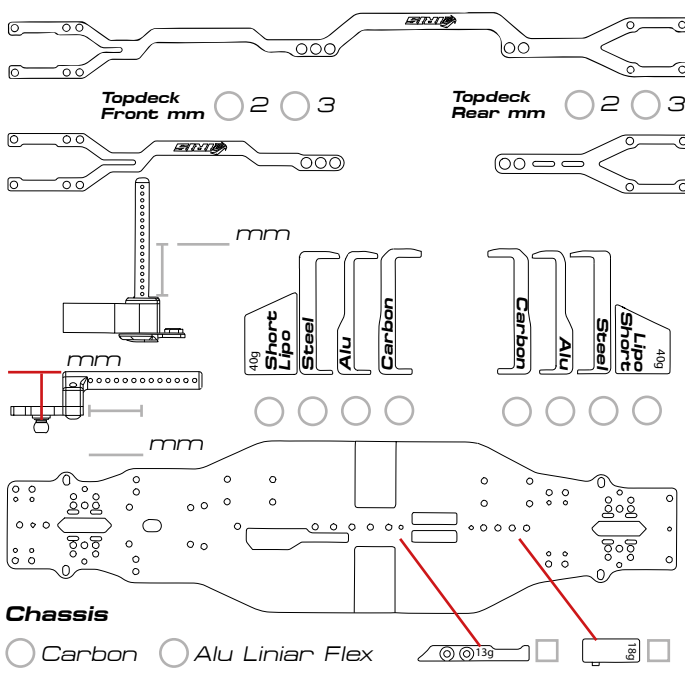
Ride height _____ **Toe out** _____
Droop _____ **Camber** _____

REAR



Ride height _____ **Toe in** _____
Droop _____ **Camber** _____

Topdeck Front mm 2 3
Topdeck Rear mm 2 3



Chassis
 Carbon Alu Liniar Flex 13g 15g