

Name _____

Date _____

Event _____

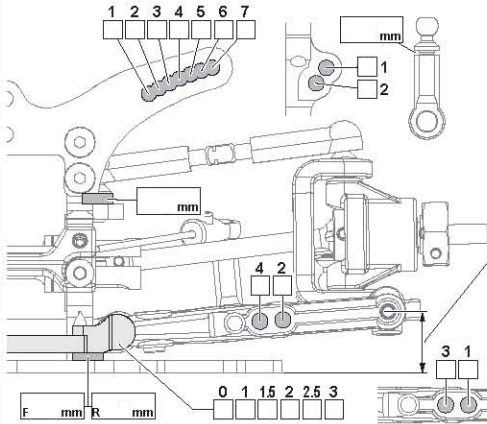
Temp _____ Air _____ Track _____

Track _____

Track Condition _____

Indoor _____ Tight _____ Smooth _____ Wet _____ Low Bite _____ High Bite _____
 Outdoor _____ Open _____ Rough _____ Dusty _____ Med Bite _____ Other _____

Front



Ride Height _____ mm

Camber Angle _____ °

Droop _____ mm Sway bar _____ mm

Toe Angle _____ ° Caster Angle _____ °

Wheel Spacer _____ mm Wheel Hub _____ mm

Shocks

Front _____ Rear _____

Piston _____

Oil wt. _____

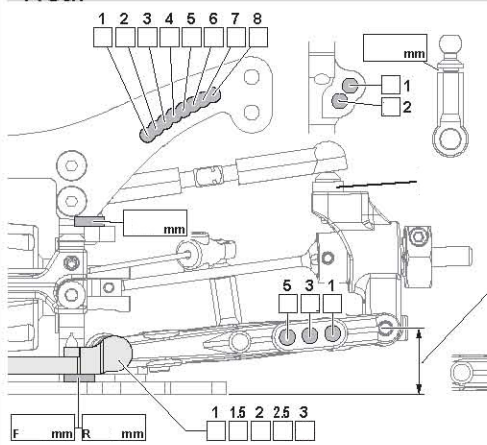
Bladder _____

Spring _____

(bottom cap ==> ball end)

Shock Length _____ mm _____ mm

Rear



Ride Height _____ mm

Camber Angle _____ °

Droop _____ mm

Sway bar _____ mm

Wheel Spacer _____ mm Wheel Hub _____ mm

Tires

Front _____ Rear _____

Brand _____

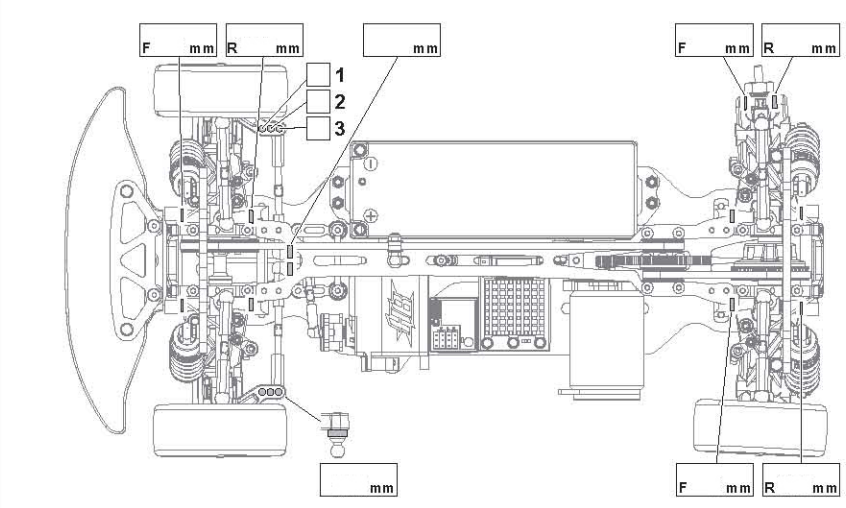
Compound _____

Insert _____

Wheel _____

Tire Treatment _____

Chassis



Note _____

Diff

Front _____ Rear _____

Type _____

Note _____

Motor

Motor _____ Spur Gear _____

Battery _____ Pinion Gear _____

Body _____ ESC _____

Wing _____ Note _____