

**RX-10SR**

**EB-0**

**DESTINY**

1/10 SCALE COMPETITION TOURING CAR KIT

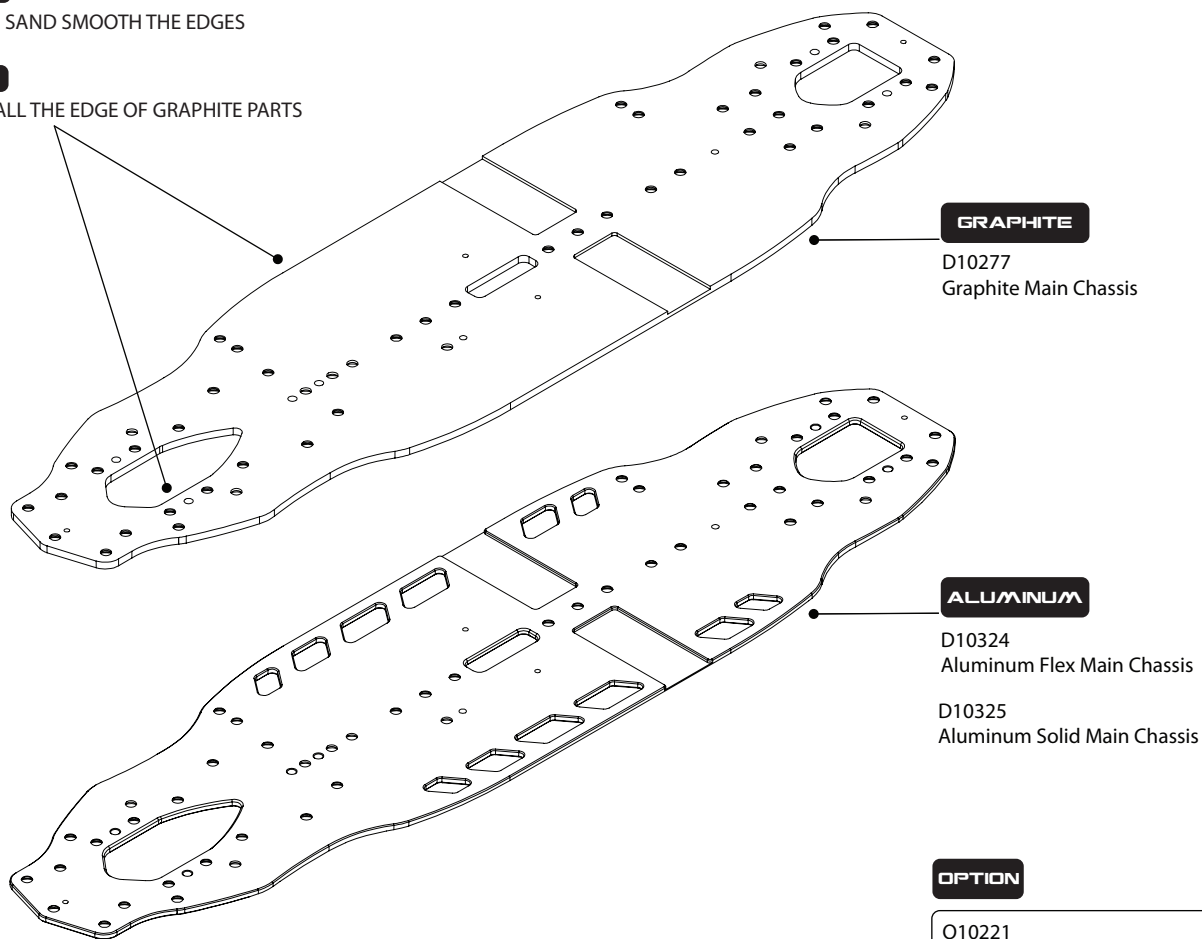
## SEAL THE EDGES OF GRAPHITE PARTS FOR PROTECTION

**SAND PAPER**

USE SAND PAPER TO SAND SMOOTH THE EDGES

**CA GLUE**

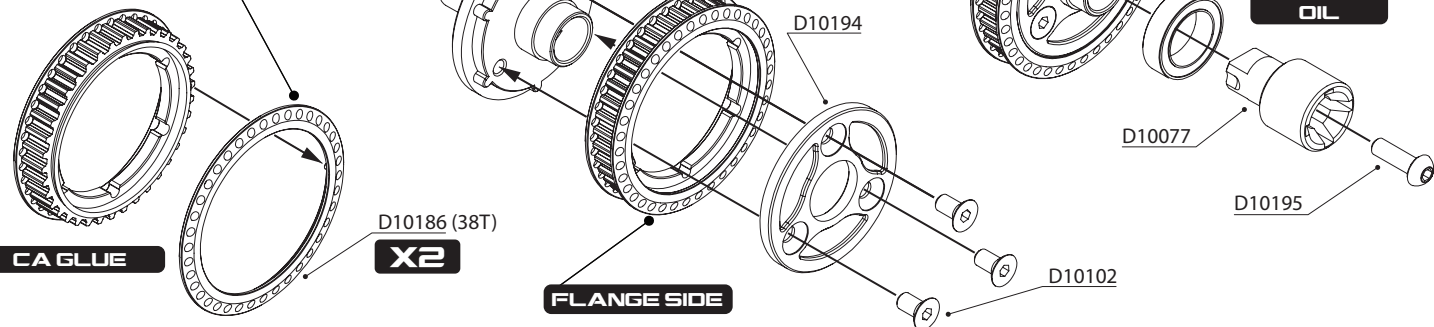
APPLY CA GLUE ON ALL THE EDGE OF GRAPHITE PARTS

**GRAPHITE**D10277  
Graphite Main Chassis**ALUMINUM**D10324  
Aluminum Flex Main ChassisD10325  
Aluminum Solid Main Chassis**OPTION**O10221  
Aluminum Front Spool Cup with  
C-Blade, 2 pcsO10225  
Spring Steel Front Spool Cup with  
C-Blade (V2), 2 pcs

## SOLID AXLE ASSEMBLY

BAG

A

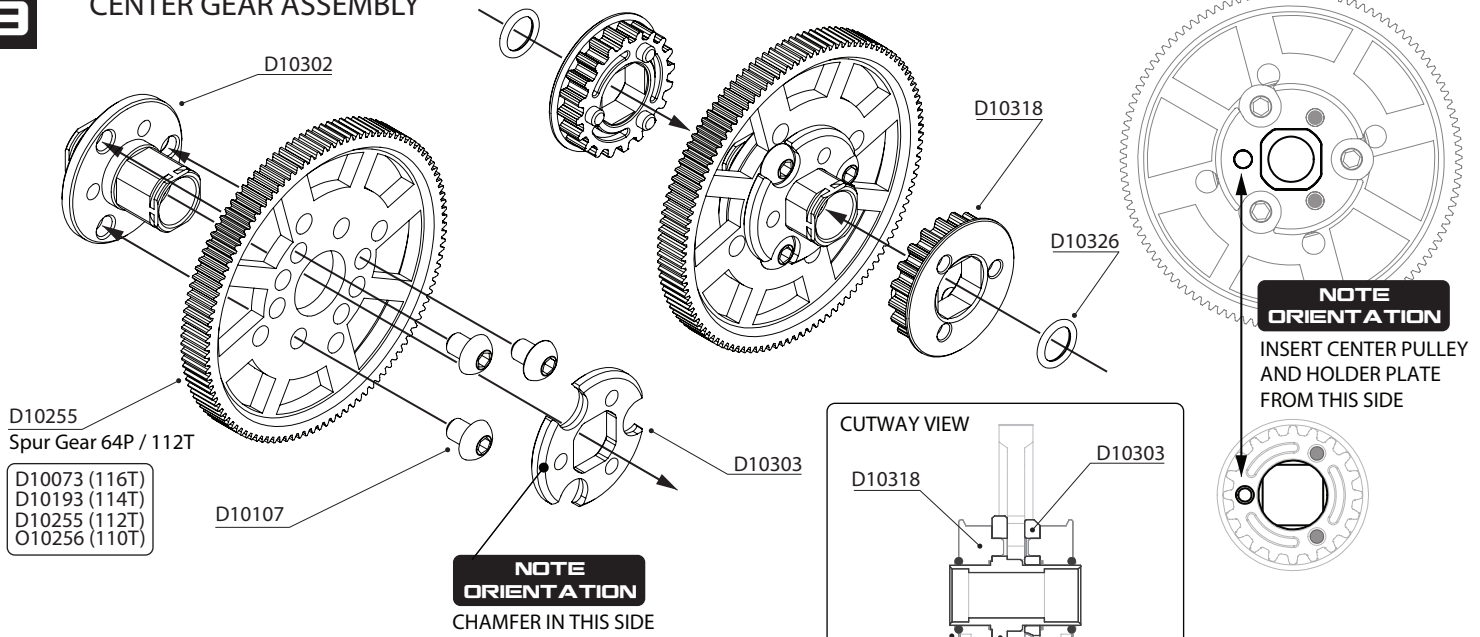
**NOTE  
ORIENTATION**

D10077 Front Spool Cup, 2 pcs  
 D10102 M3x6 Flathead Screw, 10 pcs  
 D10129 10x15x4 Ball Bearing (Rubber Seal)  
 D10187 38T Front Spool Set  
 D10186 38T Front Spool Pulley

D10194 Front Spool Center Holder  
 D10195 M3x10 Roundhead Screw, 10 pcs  
 D10277 RX-10SR 3.0 Graphite Main Chassis  
 D10324 RX-10SR 3.0 Aluminum Flex Main Chassis  
 D10325 RX-10SR 3.0 Aluminum Solid Main Chassis

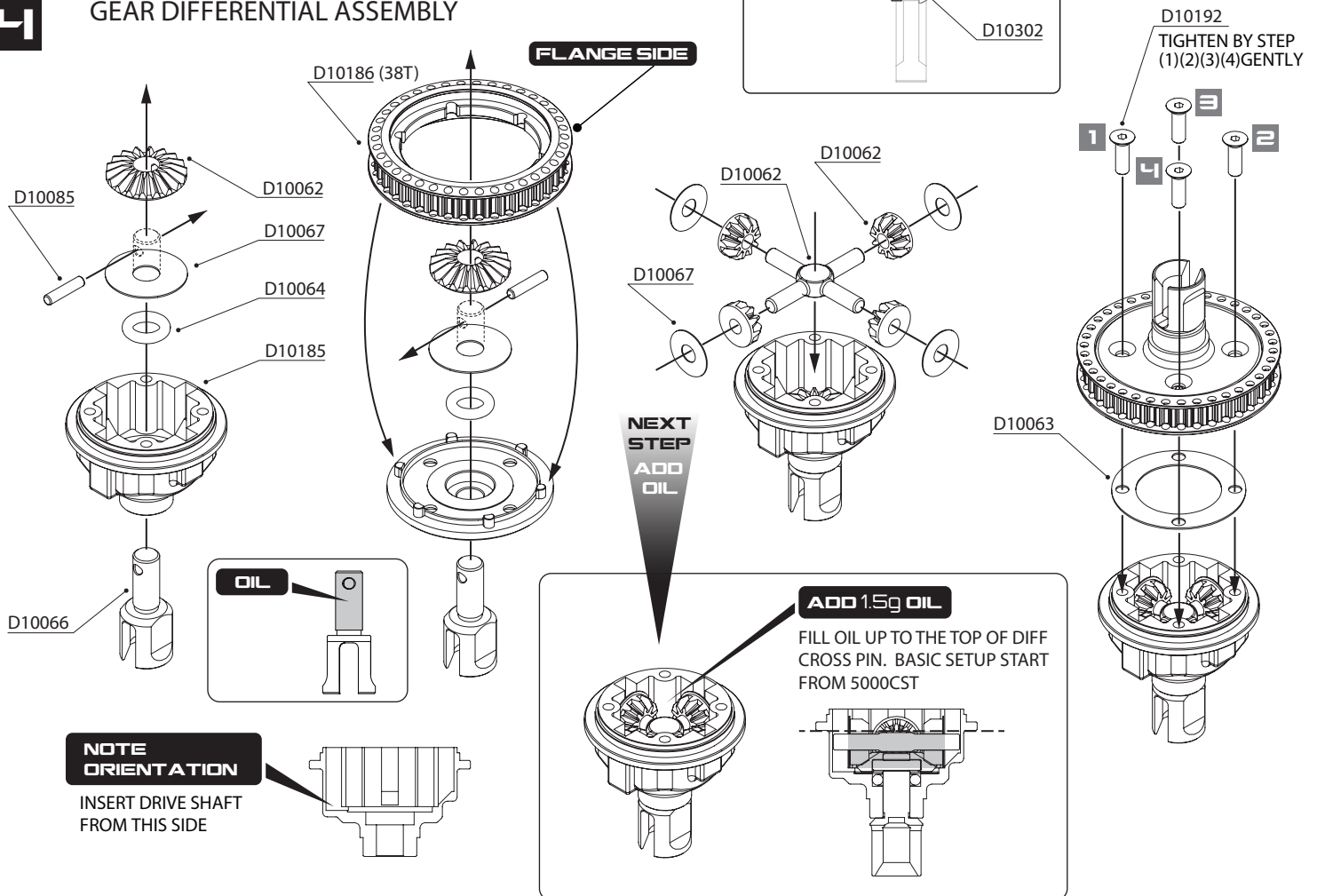
### 3

### CENTER GEAR ASSEMBLY



### 4

### GEAR DIFFERENTIAL ASSEMBLY



- D10062 RX-10S Internal Differential Gear Set
- D10063 Differential Seal Gasket
- D10064 Diff Shaft Sealer O-Ring
- D10066 Aluminum Differential Cup
- D10067 Differential Washer Set
- D10085 Shaft Pin 2x9mm
- D10107 M3x4 Roundhead Screw, 10 pcs

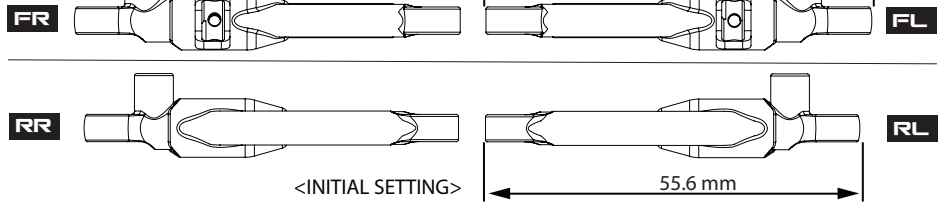
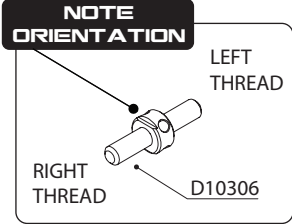
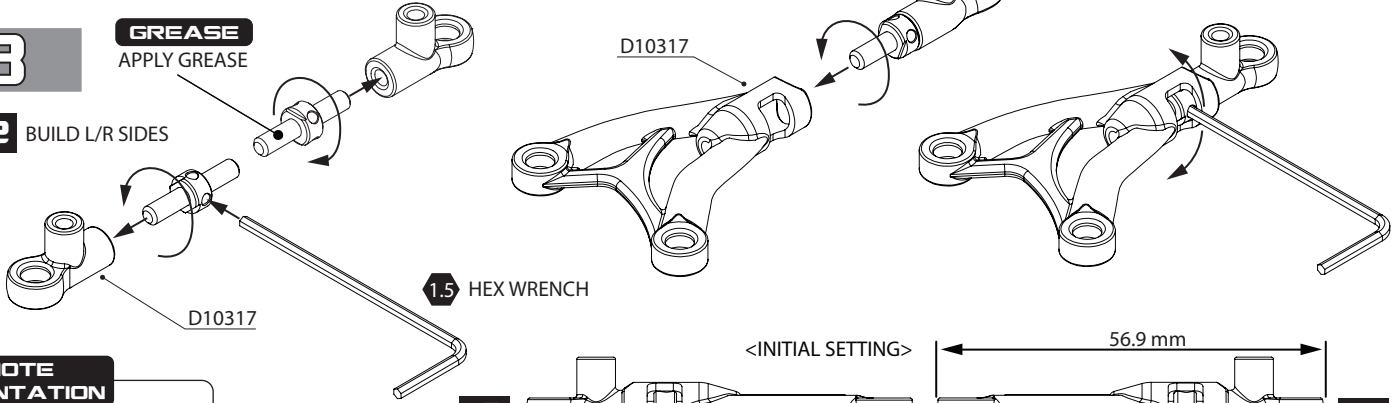
- D10184 RX-10SR Gear Differential Set (38T)
- D10185 RX-10SR Gear Differential Case Set
- D10192 M2.5x8 Flathead Screw, 10 pcs
- D10302 Aluminum Solid Layshaft
- D10303 Center Pulley Holder Plate
- D10318 Plastic Center Pulley 20T, 2 pcs
- D10326 O-Ring for Solid LayShaft, 10 pcs

**5 FRONT & REAR UPPER ARM ASSEMBLY**

BAG **B**

**GREASE**  
APPLY GREASE

**X2** BUILD L/R SIDES

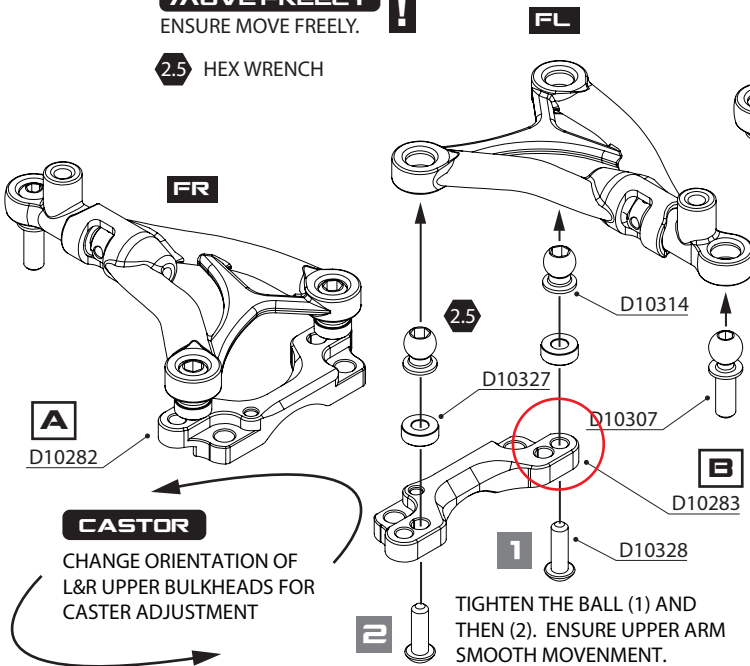


**6 FRONT & REAR UPPER BULKHEAD ASSEMBLY**

**X2** BUILD L/R SIDES

**MOVE FREELY** !  
ENSURE MOVE FREELY.

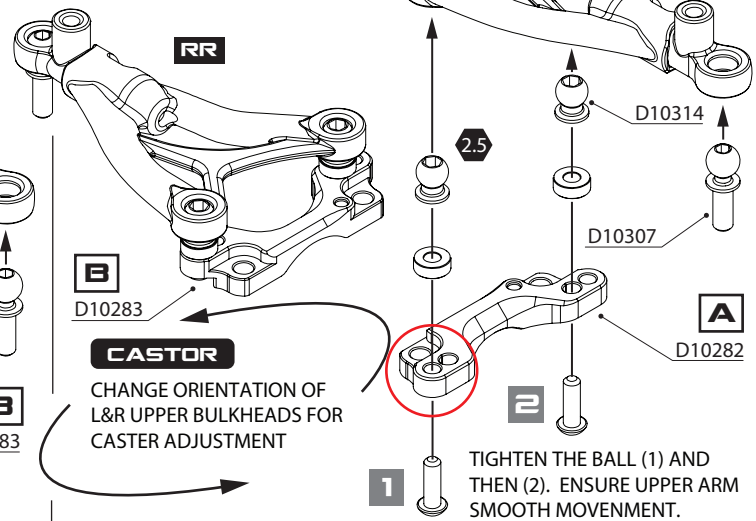
**2.5** HEX WRENCH



**X2** BUILD L/R SIDES

**MOVE FREELY** !  
ENSURE MOVE FREELY.

**2.5** HEX WRENCH



**CASTOR**  
CHANGE ORIENTATION OF L&R UPPER BULKHEADS FOR CASTOR ADJUSTMENT

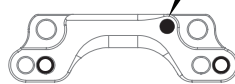
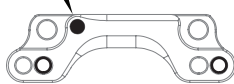
**1** TIGHTEN THE BALL (1) AND THEN (2). ENSURE UPPER ARM SMOOTH MOVEMENT.

FRONT CASTOR ADJUSTMENT

MARKING FORWARD **4°**

MARKING BACKWARD **5°**

**FRONT**



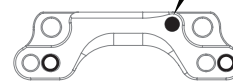
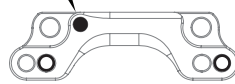
<INITIAL SETTING> **LEFT** ● MORE ON POWER STEERING

REAR CASTOR ADJUSTMENT

**1°** MARKING FORWARD

**0°** MARKING BACKWARD

**FRONT**



● LESS REAR TRACTION **LEFT** <INITIAL SETTING>

- D10282 RX-10SR 3.0 Aluminum Upper Bulkhead (A), F/R
- D10283 RX-10SR 3.0 Aluminum Upper Bulkhead (B), F/R
- D10306 Camber Screw M3x18mm, Spring Steel, 2 pcs
- D10307 5.0x14mm Kingpin Ball
- D10314 4.8mm Upper Arm Ball
- D10317 F/R Upper Arm Set, 2 pcs

- D10327 2.5x5.5x2mm Aluminum Spacer (Black), 10 pcs
- D10328 M2.5x8 Roundhead Screw, 10 pcs

**OPTION**

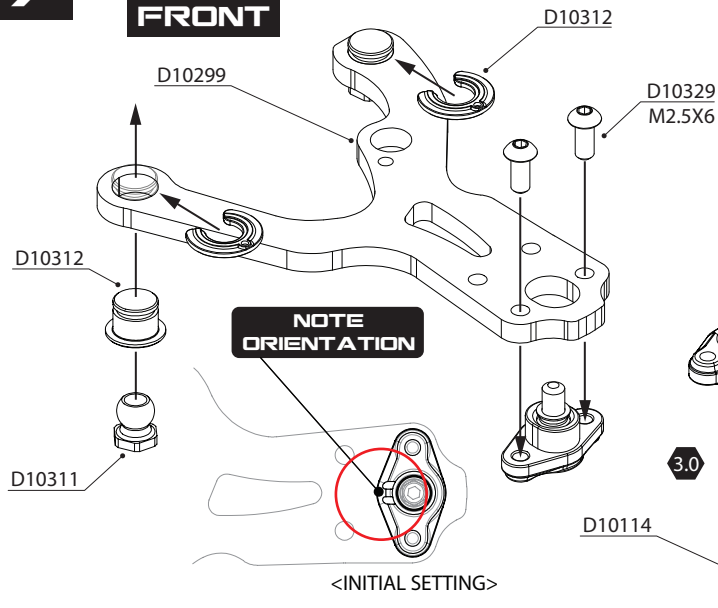
- D10198 2.5x5.5x0.5mm Aluminum Spacer (Black), 10 pcs
- O10331 2.5x5.5x1mm Aluminum Spacer (Black), 10 pcs



### 7

#### LOWER ARM ASSEMBLY

##### FRONT

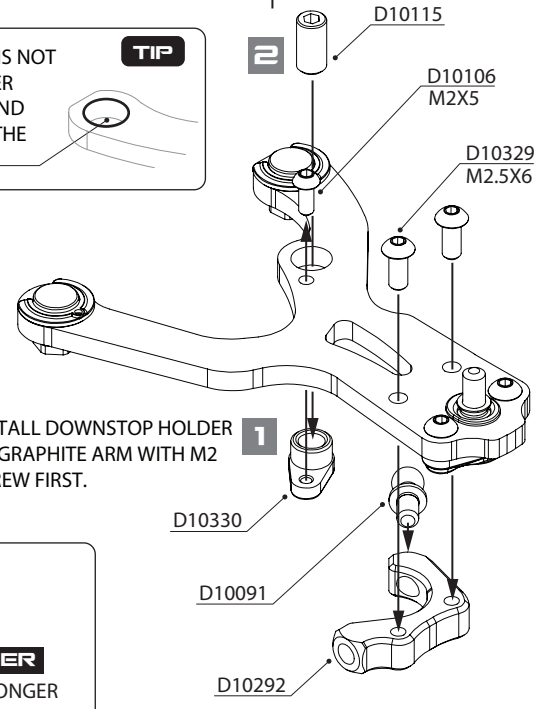
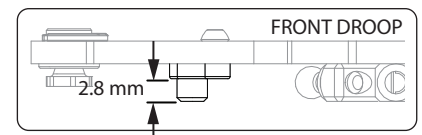


**X2** BUILD L/R SIDES

**MOVE FREELY** !  
ENSURE SUSPENSION MOVE FREELY.

IF THE PIVOT BALL IS NOT MOVE FREELY AFTER ASSEMBLY, USE SAND PAPER TO POLISH THE INNER SURFACE.

**TIP**



F/R LOWER ARM LENGTH (TRACK WIDTH) ADJUSTABLE.

**TRACK WIDTH**

- FRONT WIDER : MORE STABLE INTO CORNER
- REAR WIDER : MAKES MORE STABLE

**ARM LENGTH**

ADJUST THE ARM LENGTH BY DIFFERENCE ORIENTATION OF STEERING BLOCK PIVOT BALL HOLDER.

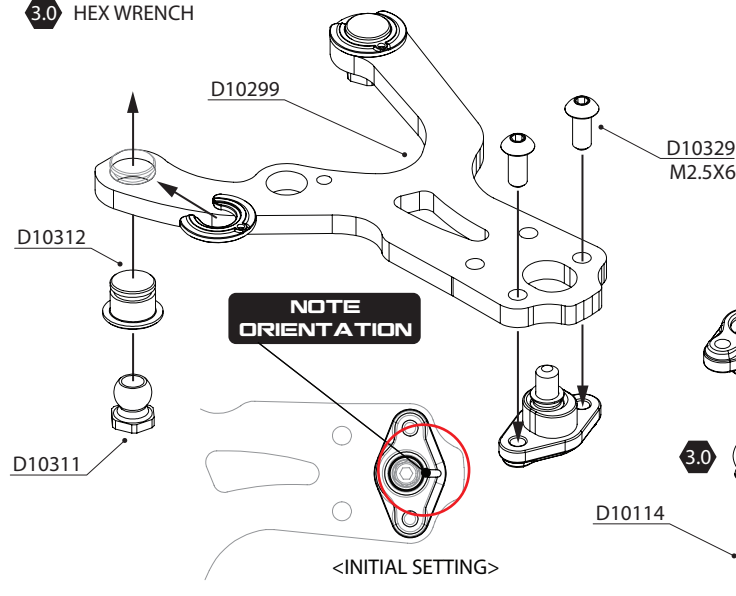
### 8

##### REAR

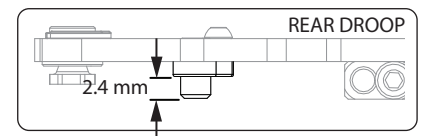
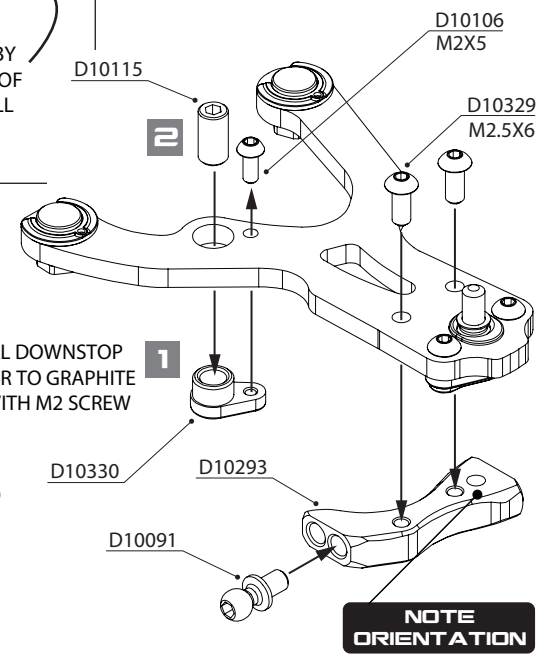
**X2** BUILD L/R SIDES

**MOVE FREELY** !  
ENSURE SUSPENSION MOVE FREELY.

**3.0** HEX WRENCH



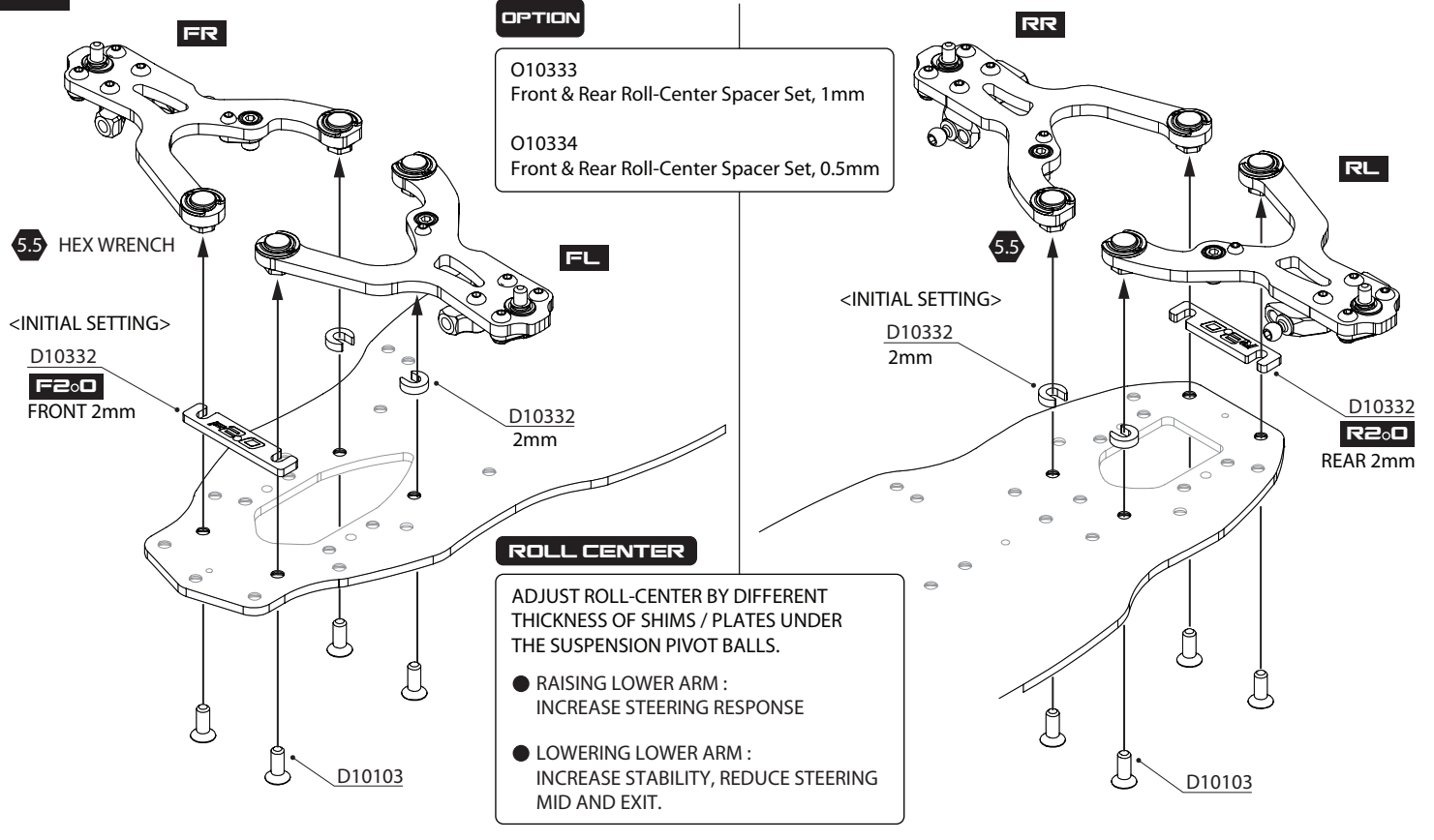
INSTALL DOWNSTOP HOLDER TO GRAPHITE ARM WITH M2 SCREW FIRST.



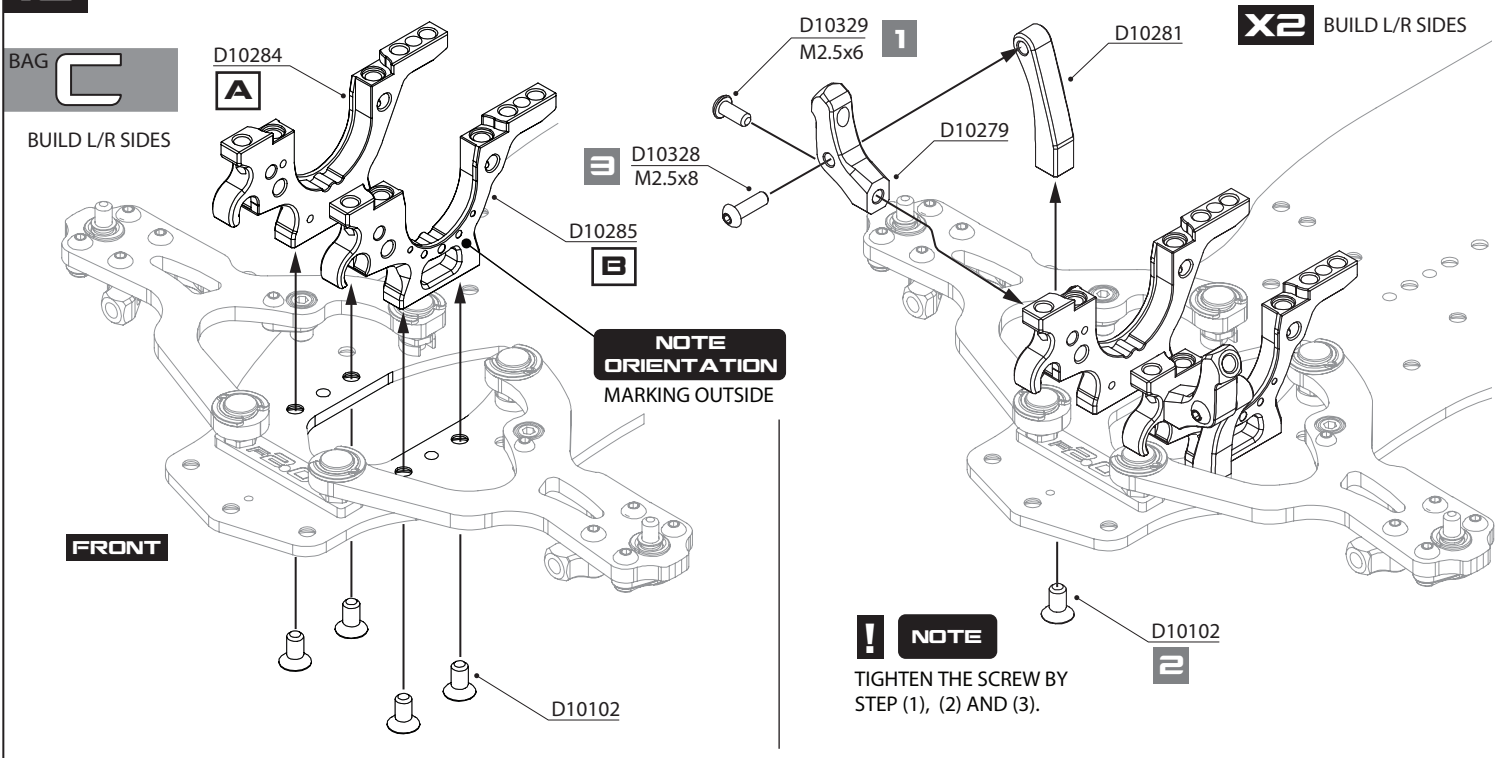
- D10091 Aluminum 4.3x10.8 Ballstud
- D10106 M2x5 Roundhead Screw, 10 pcs
- D10114 M3x8 Set Screw, 10 pcs
- D10115 M4x8 Set Screw, 10 pcs
- D10292 Aluminum Lower Shock Mount, Front
- D10293 Aluminum Lower Shock Mount, Rear
- D10299 Graphite Lower Arm

- D10311 Aluminum Suspension Pivot Ball, 4 pcs
- D10312 Suspension Pivot Ball Bushing, 2 pcs
- D10319 Steering Block Pivot Ball Holder (1&2)
- D10320 5mm Pivot Ball, 4 pcs
- D10329 M2.5x6 Roundhead Screw, 10 pcs
- D10330 Downstop Screw Holder, 4 pcs

**9** FRONT & REAR LOWER SUSPENSION ARM



**10** FRONT LOWER BULKHEAD & SHOCK TOWER ASSEMBLY

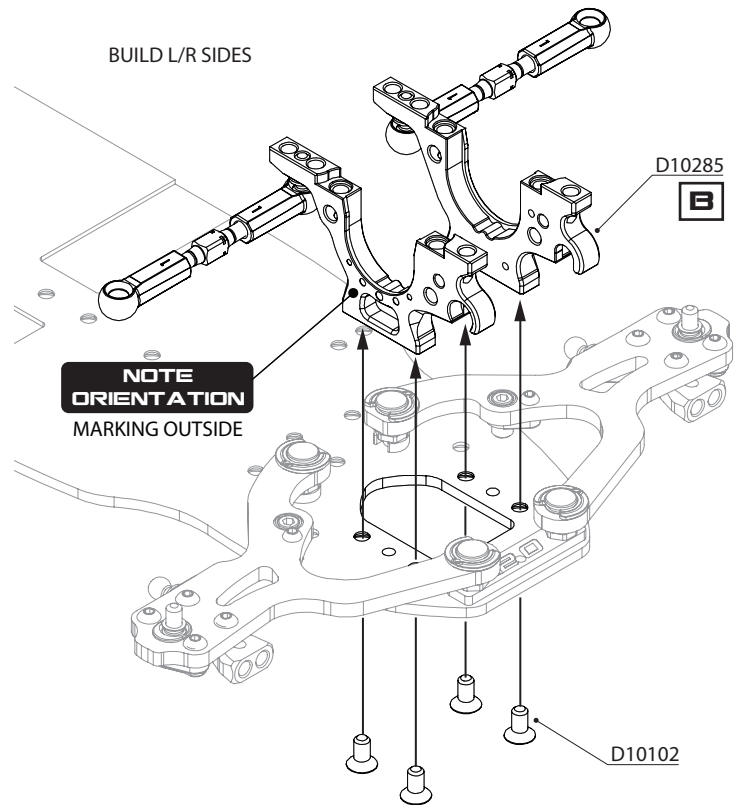
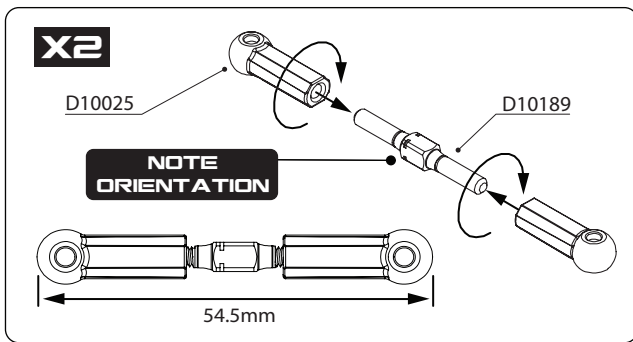
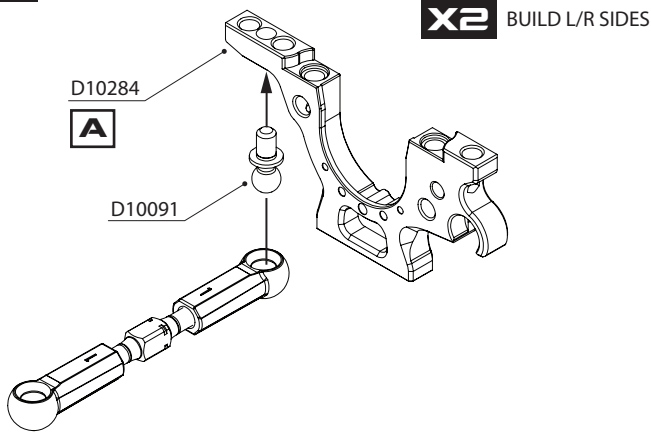


- D10102 M3x6 Flathead Screw, 10 pcs
- D10103 M3x8 Flathead Screw, 10 pcs
- D10279 Aluminum Shock Tower, Front
- D10281 Aluminum Shock Tower Holder (F/R)
- D10284 Aluminum Lower Bulkhead (A), F/R
- D10285 Aluminum Lower Bulkhead (B), F/R

- D10328 M2.5x8 Roundhead Screw, 10 pcs
- D10329 M2.5x6 Roundhead Screw, 10 pcs
- D10332 Front & Rear Roll-Center Spacer Set, 2mm

## 11

### REAR LOWER BULKHEAD ASSEMBLY



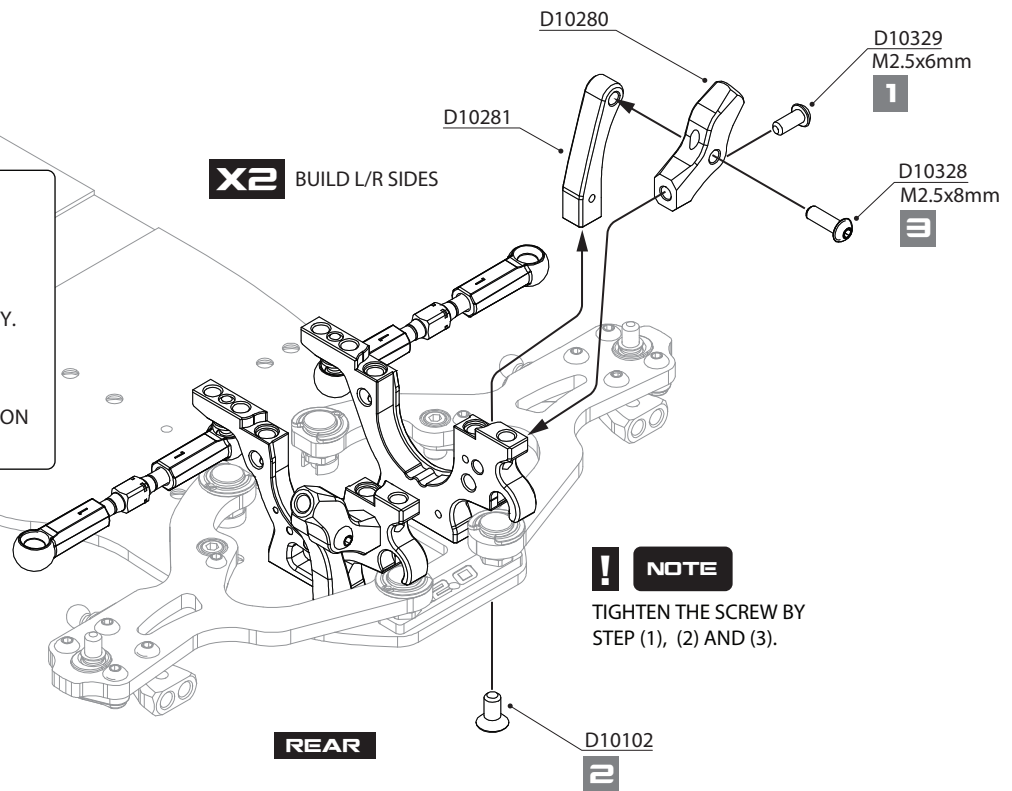
## 12

### REAR SHOCK TOWER ASSEMBLY

#### REAR TOE - GAIN

TOE ANGLE ADJUST BY DIFFERENT LENGTH OF REAR TURNBUCKLES.

- MORE REAR TOE : TURNBUCKLES SHORTER. MORE REAR GRIP, MORE STABILITY.
- LESS REAR TOE : TURNBUCKLES LONGER. MORE CORNERING SPEED, MORE ON POWER STEERING.

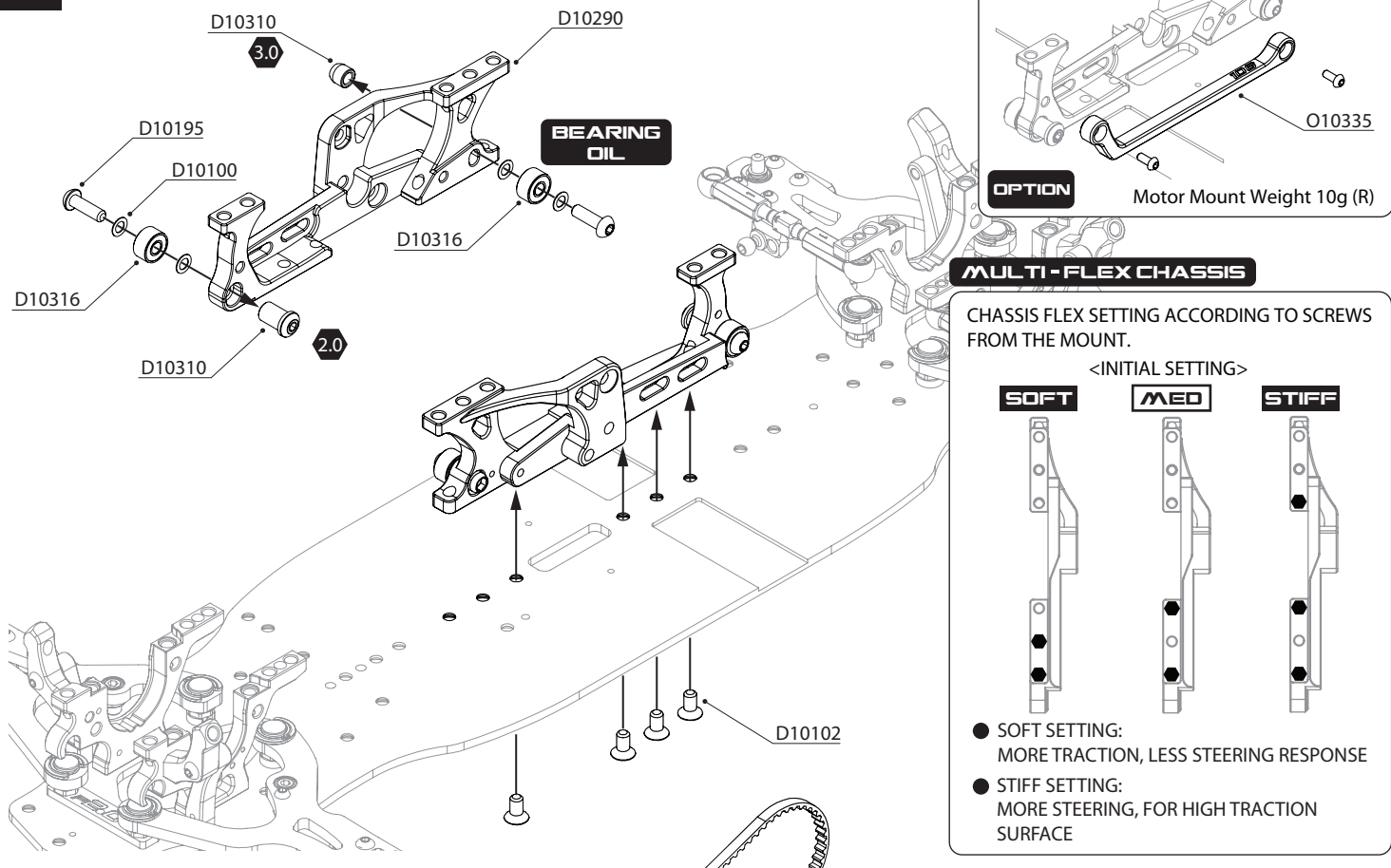


D10025 Plastic Ball Cups (4.3x16mm)  
 D10091 Aluminum 4.3x10.8 Ballstud  
 D10102 M3x6 Flathead Screw, 10 pcs  
 D10189 M3x30mm Turnbuckle, Aluminum, Black  
 D10280 Aluminum Shock Tower, Rear

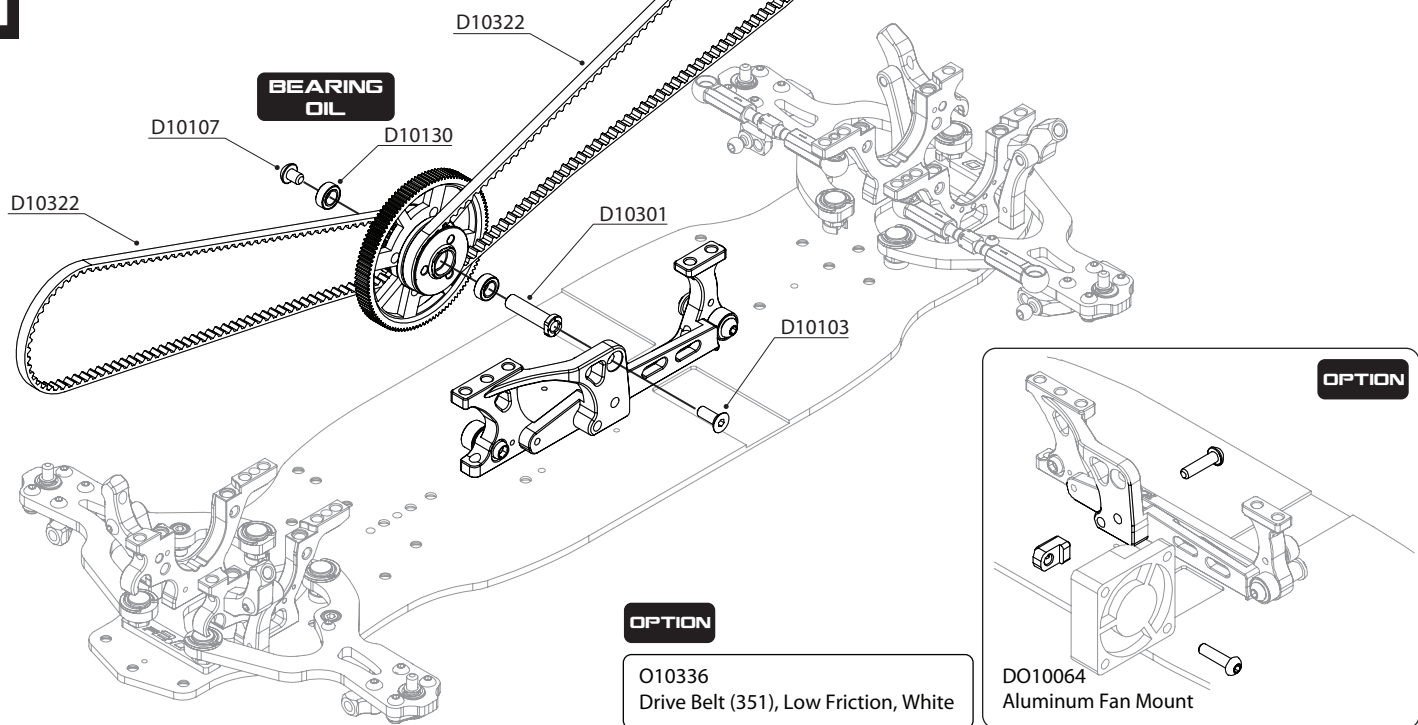
D10281 Aluminum Shock Tower Holder (F/R)  
 D10284 Aluminum Lower Bulkhead (A), F/R  
 D10285 Aluminum Lower Bulkhead (B), F/R  
 D10328 M2.5x8 Roundhead Screw, 10 pcs  
 D10329 M2.5x6 Roundhead Screw, 10 pcs

13

## CENTRAL TRANSMISSION ASSEMBLY



14



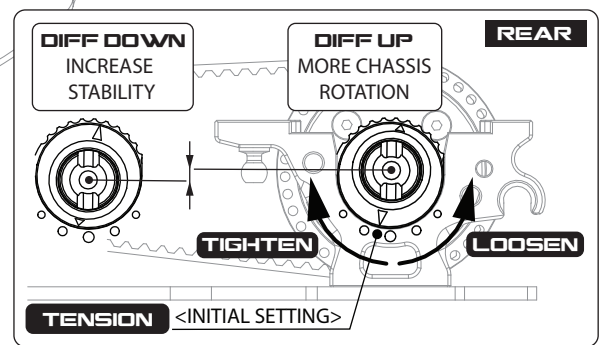
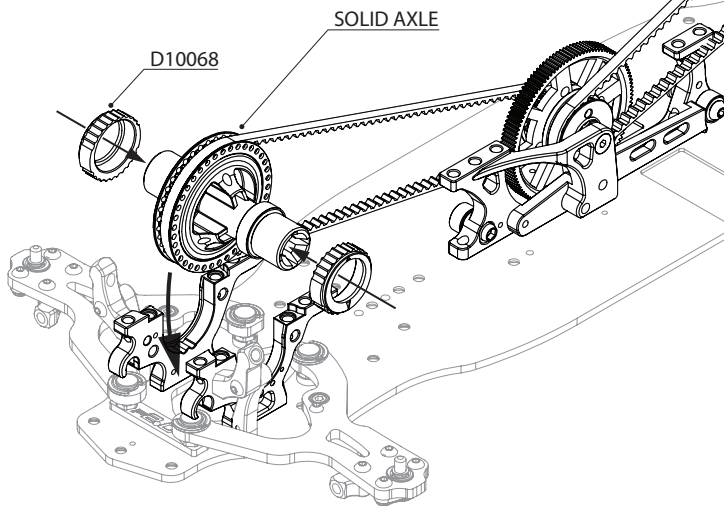
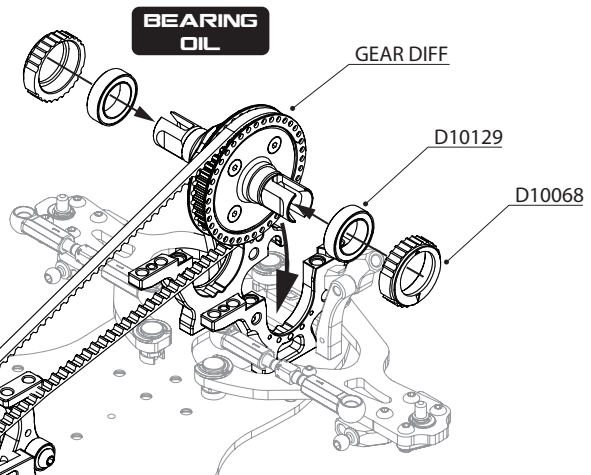
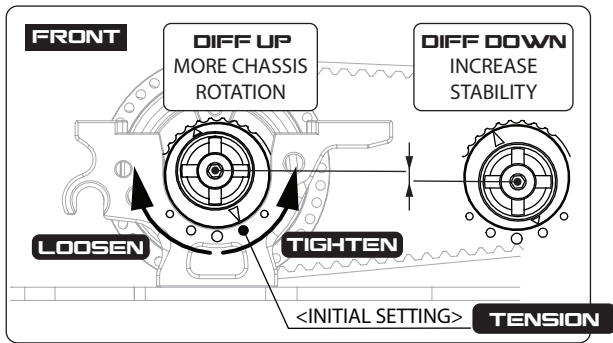
D10100 M3 Shim Set (0.1/0.2/0.3mm)  
 D10102 M3x6 Flathead Screw, 10 pcs  
 D10103 M3x8 Flathead Screw, 10 pcs  
 D10107 M3x4 Roundhead Screw, 10 pcs  
 D10130 4x7x2.5 Bearing, 2 pcs  
 D10195 M3x10 Roundhead Screw, 10 pcs

D10290 Aluminum Motor Mount  
 D10301 Center Shaft  
 D10310 Aluminum Nut & Battery Backstop Set  
 D10316 3x8x4 Ball Bearing, 2 pcs  
 D10322 Drive Belt (351)



## 15

### FRONT & REAR DIFFERENTIAL ASSEMBLY



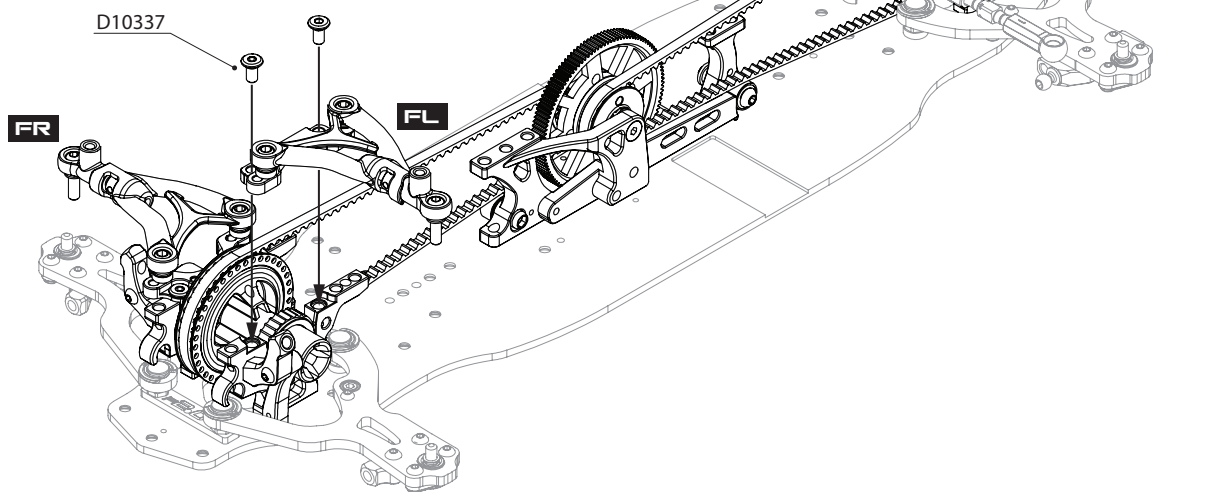
D10337

## 16

### FRONT & REAR UPPER BULKHEAD ASSEMBLY

**X2** BUILD L/R SIDES

**ROTATE FREELY** !  
ENSURE TRANSMISSION  
ROTATE FREELY.



- D10068 Plastic Adjustment Ball Bearing Hub
- D10129 10x15x4 Ball Bearing (Rubber Seal)
- D10337 M3x6 ULP head Screw, 10 pcs

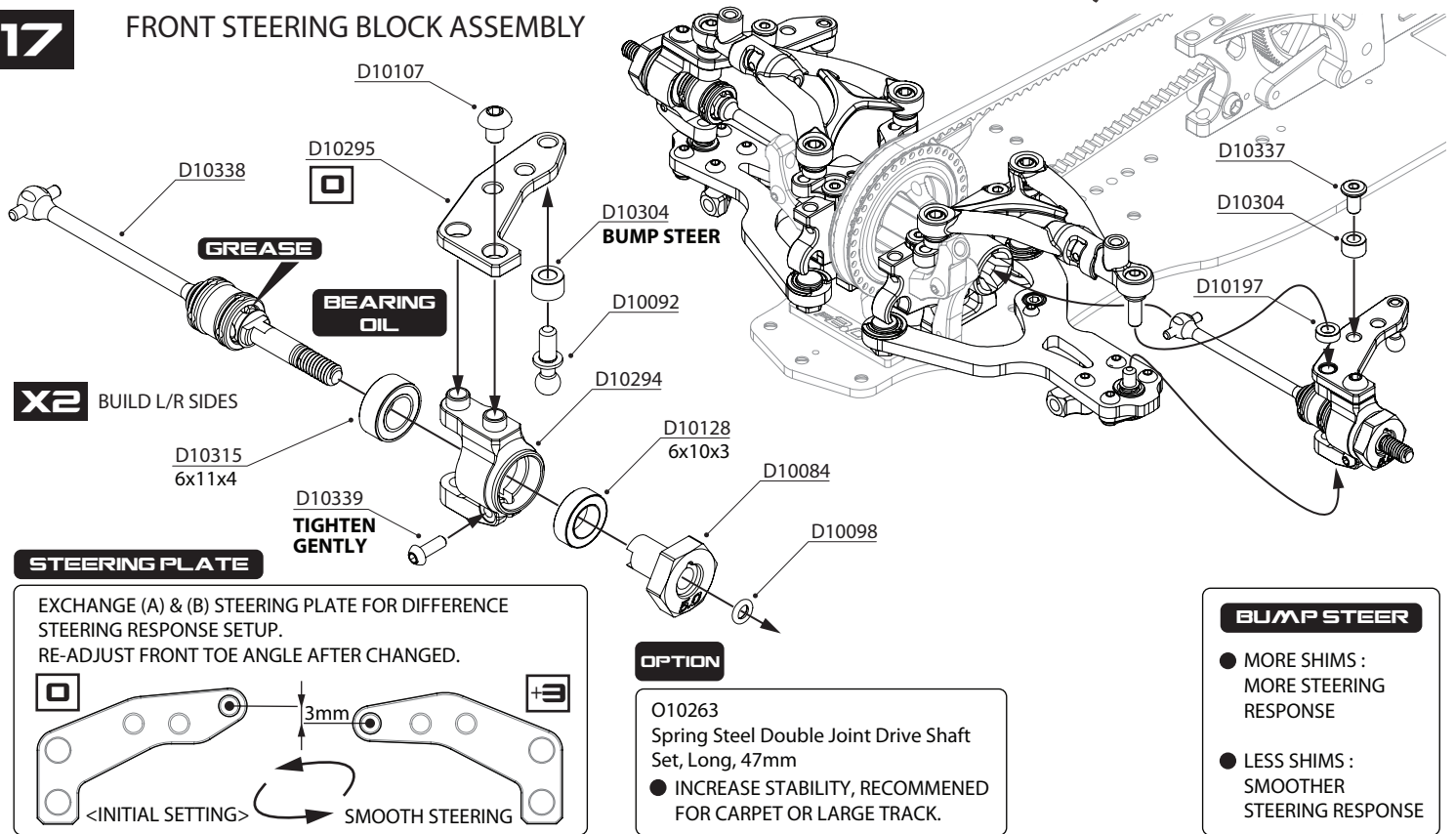
**OPTION**

- O10124 Aluminum Adjustment Ball Bearing Hub, 2 pcs



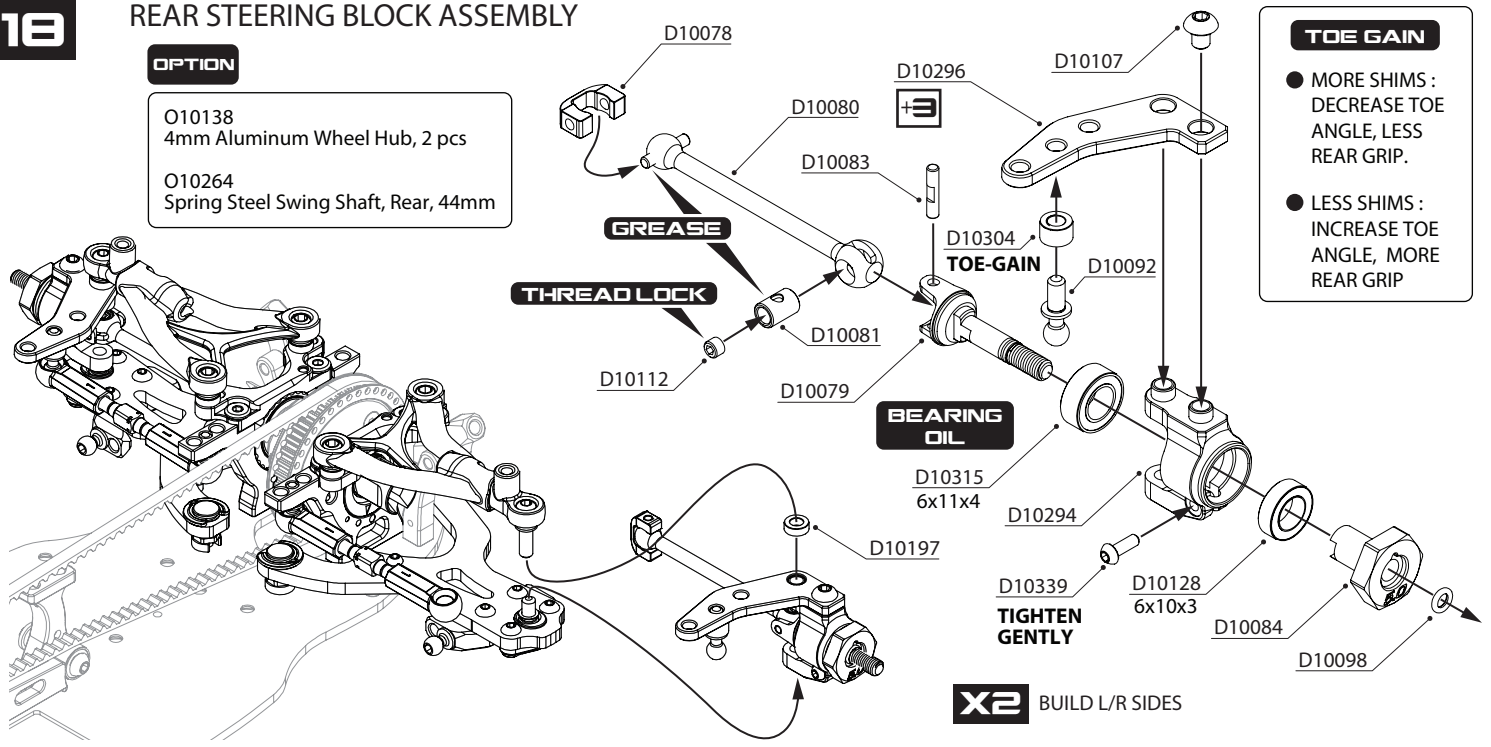
17

## FRONT STEERING BLOCK ASSEMBLY



18

## REAR STEERING BLOCK ASSEMBLY

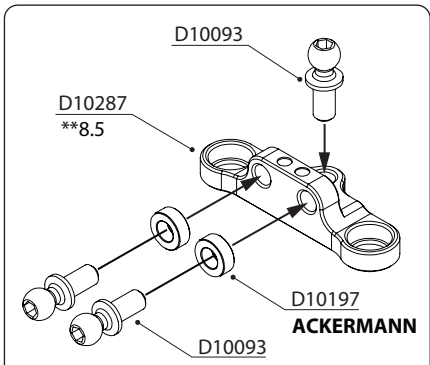


D10078 Drive Shaft Cap 3.5mm (Derlin), 4 pcs  
 D10079 Lightweight Steel Joint Axle  
 D10080 Aluminum Swing Shaft, Rear, 44mm  
 D10081 Cross Joint, 4 pcs  
 D10083 2x10mm Shaft Pin with Lock Slot  
 D10084 5mm Aluminum Wheel Hub, 2 pcs  
 D10092 Aluminum 4.3x12.7 Ballstud  
 D10098 O-Ring for Drive Shaft, 10 pcs  
 D10107 M3x4 Roundhead Screw, 10 pcs  
 D10112 M3x2.5 Set Screw, 10 pcs

D10128 6x10x3 Ball Bearing (Rubber Seal)  
 D10197 3x5.5x2.0mm Aluminum Spacer (Black), 10 pcs  
 D10294 Aluminum Steering Block  
 D10295 Aluminum Steering Plate (0)  
 D10296 Aluminum Steering Plate (+3)  
 D10304 3x5.5x3.5mm Aluminum Spacer (Black), 10 pcs  
 D10315 6x11x4 Ball Bearing (Rubber Seal)  
 D10337 M3x6 ULP head Screw, 10 pcs  
 D10338 Spring Steel Double Joint Drive Shaft Set, Front  
 D10339 M2x6 Roundhead Screw, 10 pcs

## 19 STEERING ASSEMBLY

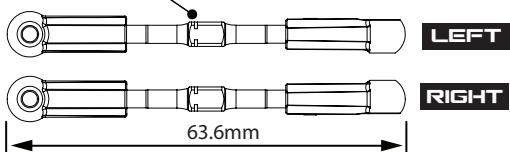
BAG 



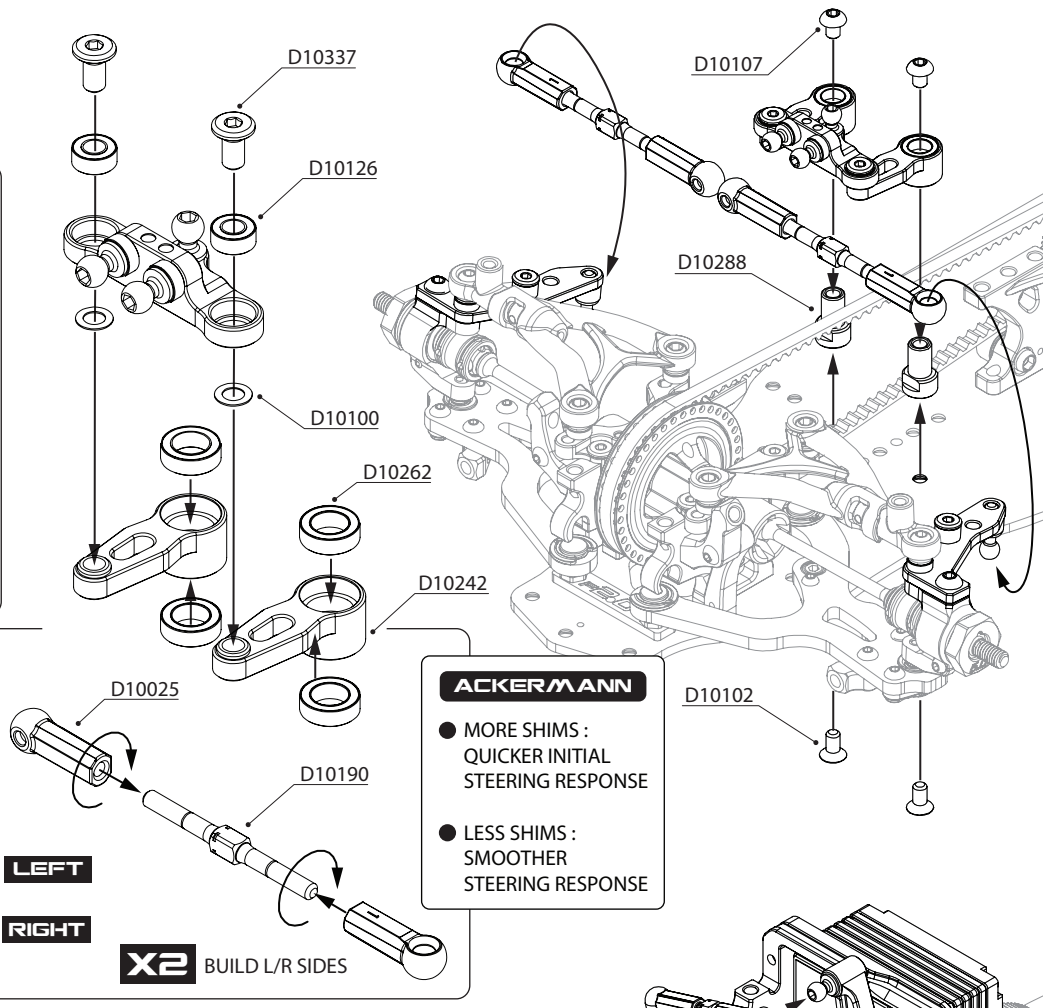
**OPTION**

O10340 Aluminum Steering Center Plate with Bearings (\*8)  
 ● SMOOTH STEERING RESPONSE

**NOTE ORIENTATION**



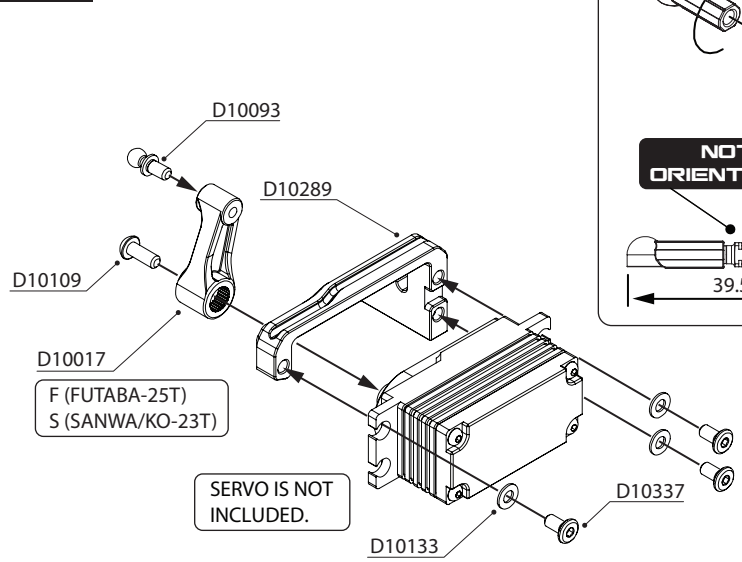
**X2** BUILD L/R SIDES



**ACKERMANN**

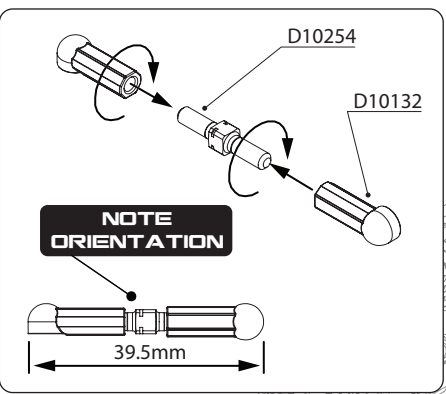
- MORE SHIMS : QUICKER INITIAL STEERING RESPONSE
- LESS SHIMS : SMOOTHER STEERING RESPONSE

## 20 SERVO ASSEMBLY

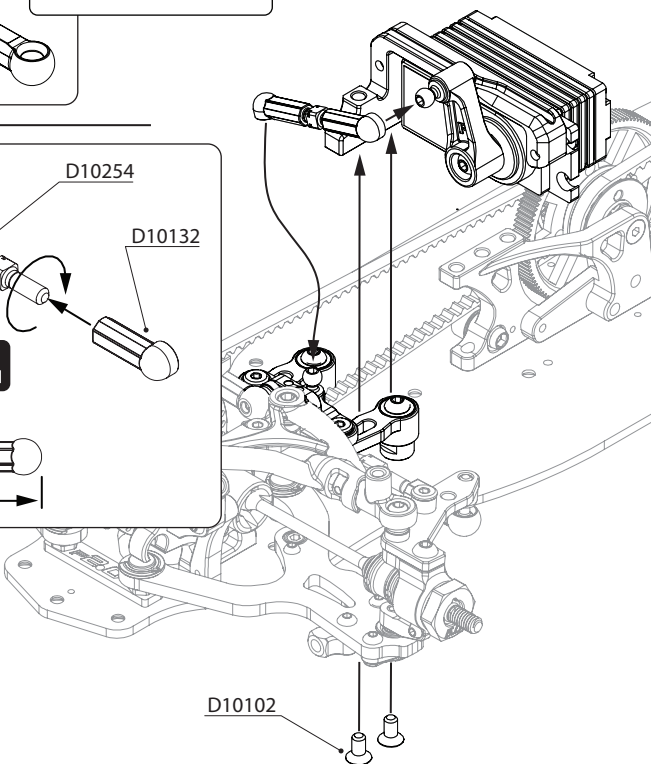


F (FUTABA-25T)  
 S (SANWA/KO-23T)

SERVO IS NOT INCLUDED.



**NOTE ORIENTATION**



|        |                                      |        |  |
|--------|--------------------------------------|--------|--|
| D10017 | Plastic Servo Horn Set               | D10190 | M3x39mm Turnbuckle, Aluminum, Black, 2 pcs           |
| D10025 | Plastic Ball Cups (4.3x16mm), 10 pcs | D10197 | 3x5.5x2.0mm Aluminum Spacer (Black), 10 pcs          |
| D10093 | Aluminum 4.3x11.8 Ballstud           | D10242 | Aluminum Bellcrank, 2 pcs                            |
| D10100 | M3 Shim Set (0.1/0.2/0.3mm)          | D10254 | M3x20mm Turnbuckle, Aluminum, Black                  |
| D10102 | M3x6 Flathead Screw                  | D10262 | 5x8x2.5 Ball Bearing, 2 pcs                          |
| D10107 | M3x4 Roundhead Screw, 10 pcs         | D10287 | Aluminum Steering Center Plate with Bearings (**8.5) |
| D10109 | M3x8 Roundhead Screw, 10 pcs         | D10288 | Aluminum Bellcrank Post, 2 pcs                       |
| D10132 | Plastic Ball Cups (4.3x13mm), 4 pcs  | D10289 | Aluminum Floating Servo Mount                        |
| D10133 | 3mm Spacer (Steel), 10 pcs           | D10337 | M3x6 ULP head Screw, 10 pcs                          |

21

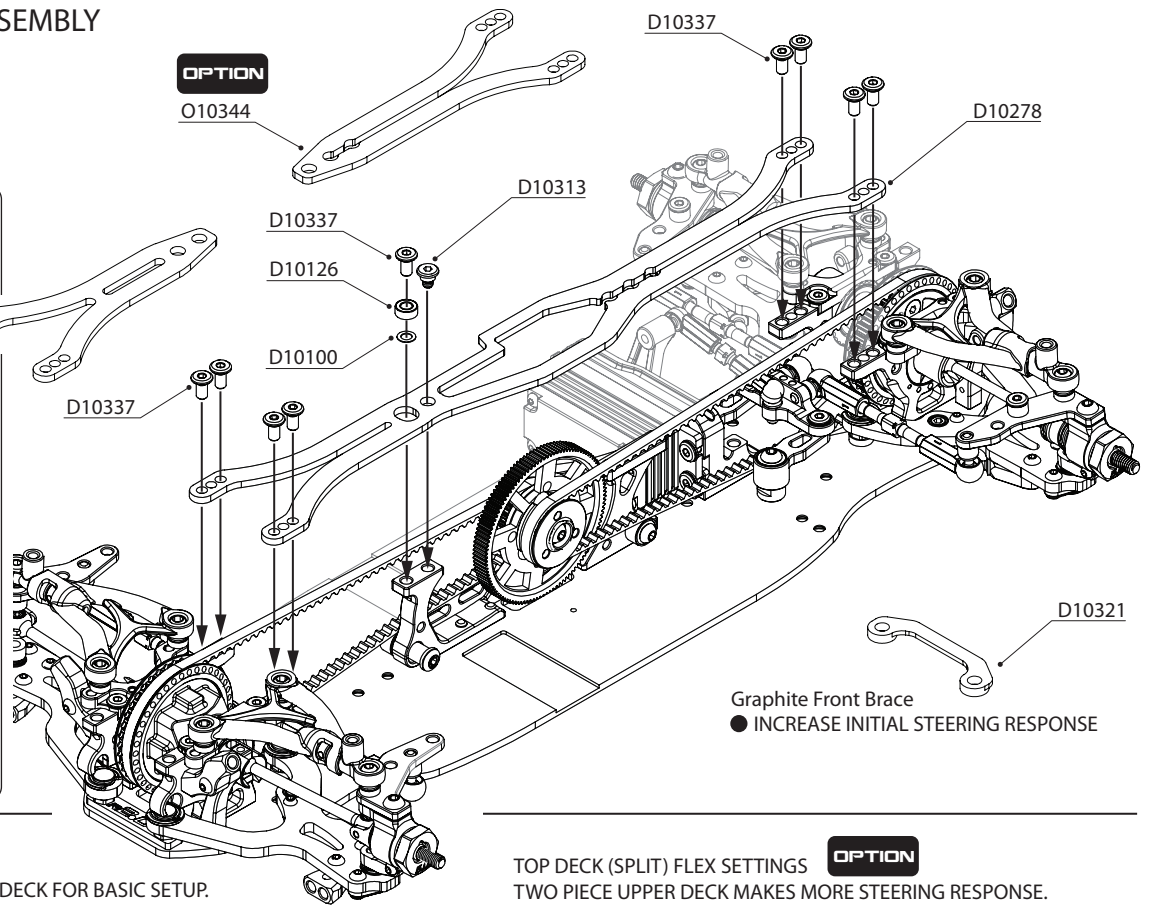
UPPER DECK ASSEMBLY

**OPTION**

O10286  
Graphite Front Brace  
● INCREASE STEERING RESPONSE

---

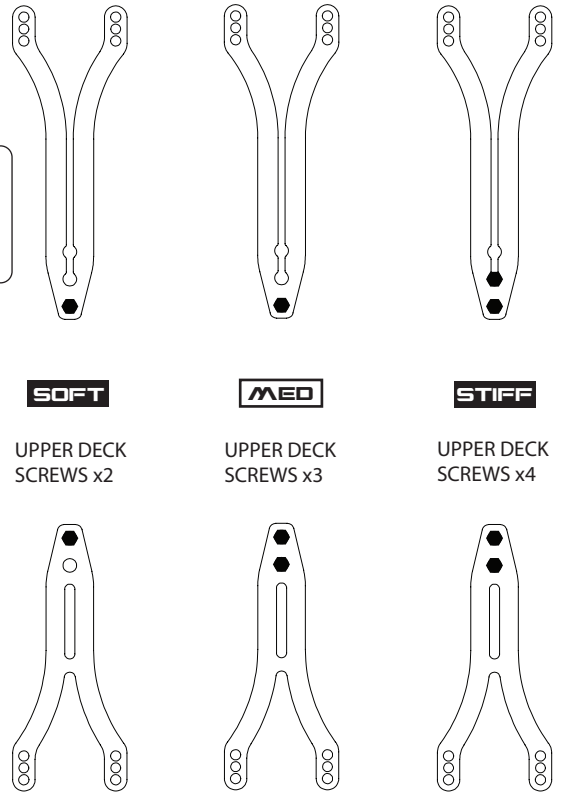
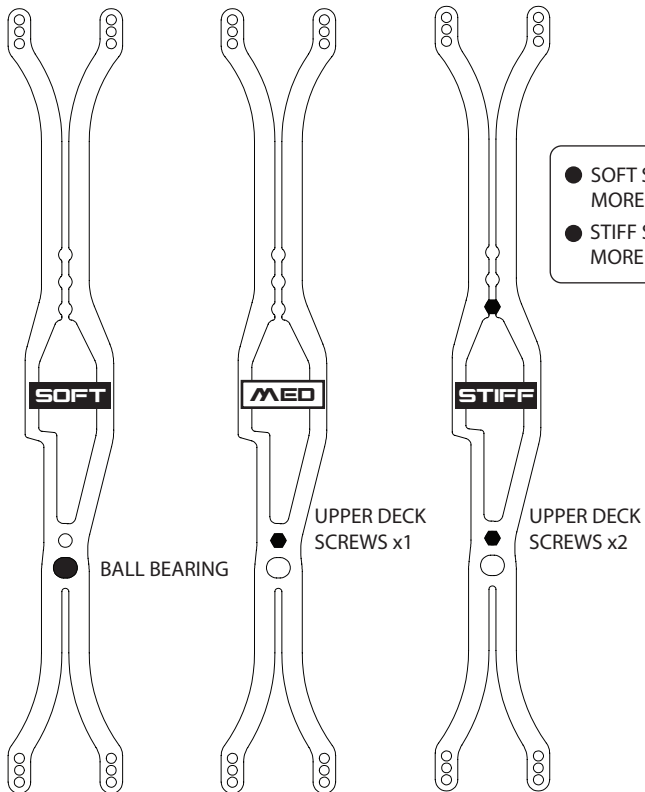
O10350  
Aluminum Chassis T-Brace  
O10351  
Brass Chassis T-Brace (10g)  
● CHASSIS T-BRACE PROVIDES MORE CHASSIS FLEX ADJUSTMENT.



TOP DECK FLEX SETTINGS  
RECOMMEND SINGLE PIECE UPPER DECK FOR BASIC SETUP.  
SUITED FOR MED-LOW GRIP SURFACE.

**OPTION**  
TOP DECK (SPLIT) FLEX SETTINGS  
TWO PIECE UPPER DECK MAKES MORE STEERING RESPONSE.  
SUITED FOR HIGH GRIP SURFACE.

<INITIAL SETTING>

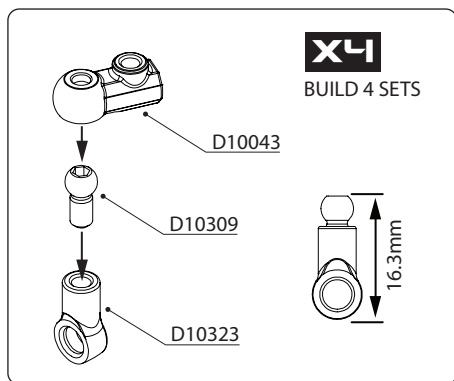
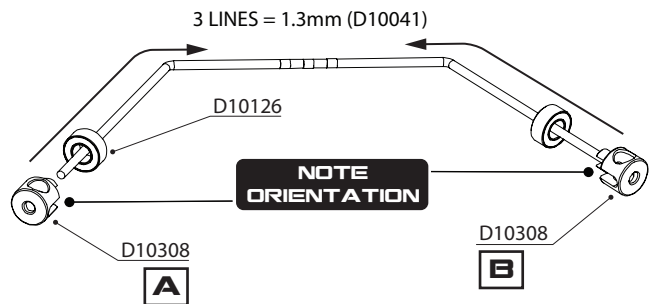


- D10100 M3 Shim Set (0.1/0.2/0.3mm)
- D10126 3x6x2.5 Ball Bearing
- D10278 Graphite Upper Deck (2.0mm)

- D10313 Aluminum Upper Deck Screw
- D10321 Graphite Front Brace
- D10337 M3x6 ULP head Screw, 10 pcs



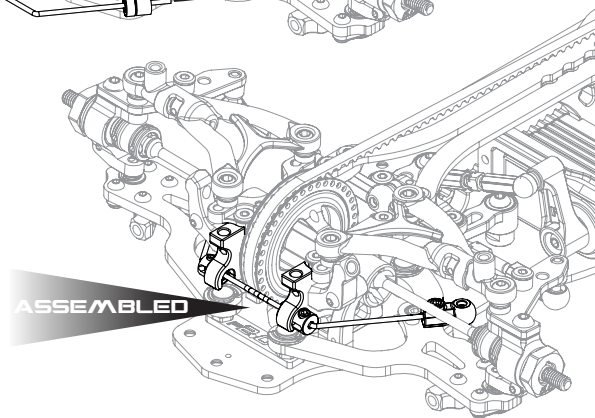
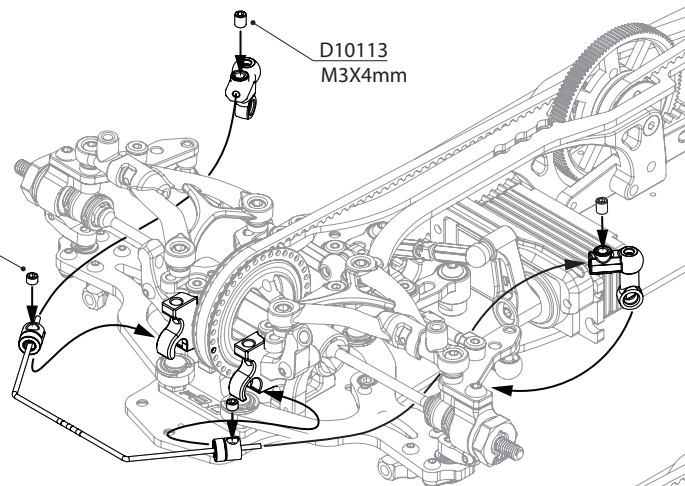
### 22 FRONT ANTI-ROLL BAR ASSEMBLY



**FRONT** ANTI-ROLL BAR

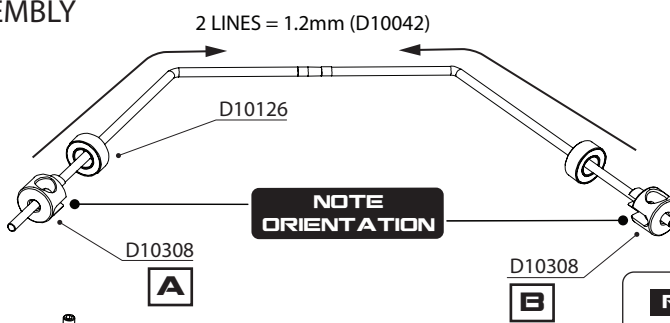
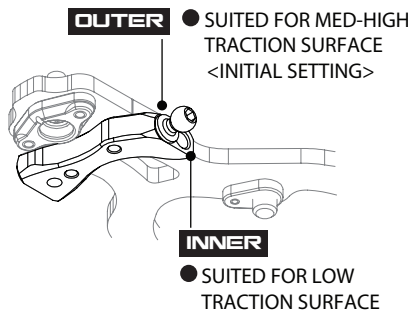
**1.3** MORE CHASSIS ROLL,  
INCREASE FRONT TRACTION.

**1.4** LESS CHASSIS ROLL,  
DECREASE FRONT TRACTION.



### 23 REAR ANTI-ROLL BAR ASSEMBLY

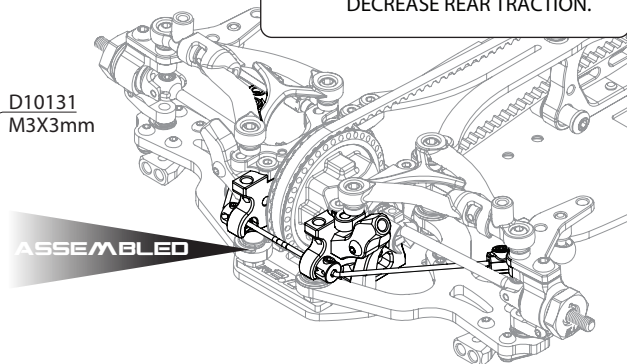
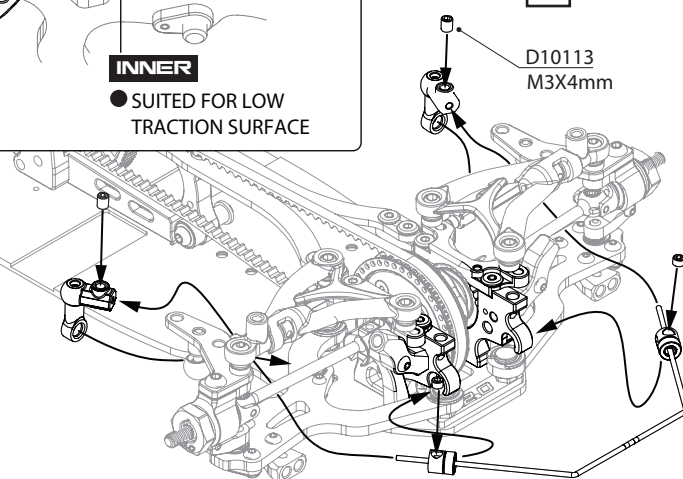
REAR ANTI-ROLL POSITION CHANGEABLE.



**REAR** ANTI-ROLL BAR

**1.2** MORE CHASSIS ROLL,  
INCREASE REAR TRACTION.

**1.3** LESS CHASSIS ROLL,  
DECREASE REAR TRACTION.



- D10041 Anti-Roll Bar 1.3, Front
- D10042 Anti-Roll Bar 1.2, Rear
- D10043 Plastic Anti-Roll Bar Ball Joint, 4 pcs
- D10113 M3x4 Set Screw, 10 pcs
- D10126 3x6x2.5 Ball Bearing
- D10131 M3x3 Set Screw, 10 pcs
- D10131 M3x3 Set Screw, 10 pcs

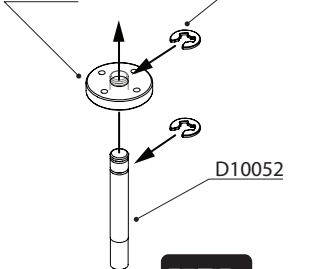
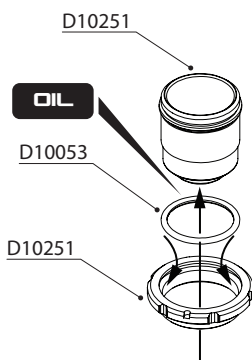
- D10308 Aluminum Anti-Roll Bar Bushing (A/B)
- D10309 Alum Anti-Roll Bar Ball, 4.3x8.5mm
- D10323 Roll Bar Short Ball Cup (4.3x9mm)

**OPTION**

- O10145 Anti-Roll Bar 1.4, Front
- O10146 Anti-Roll Bar 1.3, Rear

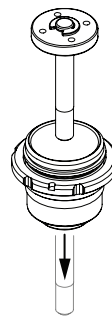
## 24 SHOCK ASSEMBLY

BAG

**X4** BUILD 4 SETS SHOCKS**4 HOLES**<INITIAL SETTING>  
D10050**OPTION**O10144  
Titanium Coated Shock Shaft**!** O-RING INSERT INTO THE GROOVE**OIL**

D10053

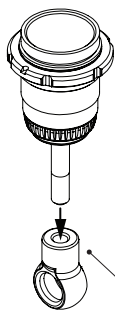
D10251

**OIL**

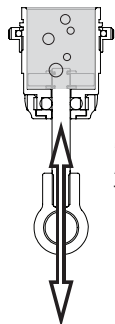
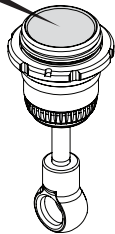
D10054

D10251

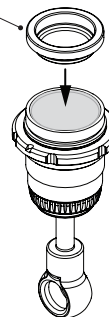
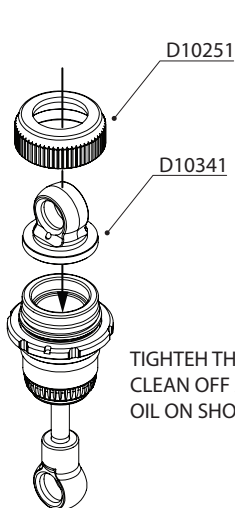
D10048

**MOVE FREELY !**

D10341

**400 CST SHOCK OIL**EXTEND THE SHOCK  
SHAFT COMPLETELY.  
FILL THE SHOCK OIL  
INTO SHOCK BODY.MOVE THE SHAFT UP  
AND DOWN SLOWLY  
TO REMOVE ALL AIR  
BUBBLES.

D10342

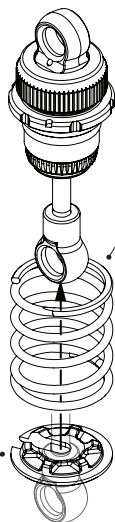
WHEN INSTALLING OIL SEALER  
CAP ONTO SHOCK BODY,  
EXCESS OIL WILL LEAK OUT  
FROM THE FILLED SHOCK  
BODY.

D10251

D10341

TIGHTEN THE CAP AND  
CLEAN OFF ANY EXCESS  
OIL ON SHOCK.**OPTION**O10140  
Aluminum Shock Spring Retainer

D10341

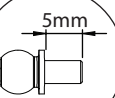
D10057 (2.6 - FRONT)  
D10056 (2.5 - REAR)SET SCREW SIZE IS SUBJECT  
TO CHANGE BASED ON  
SHOCK POSITION. **!****SHOCK  
LENGTH**

52.3mm

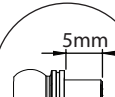
D10114

**SHORT**

D10051

5mm  
3.0**LONG**

D10305

5mm  
3.0

| Part No. | Destiny Shock Springs (20mm)               |
|----------|--|
| D10056   | Destiny Shock Spring (2.5), 20mm, Soft     |
| D10057   | Destiny Shock Spring (2.6), 20mm, Med.Soft |
| O10058   | Destiny Shock Spring (2.7), 20mm, Medium   |

**OPTION**

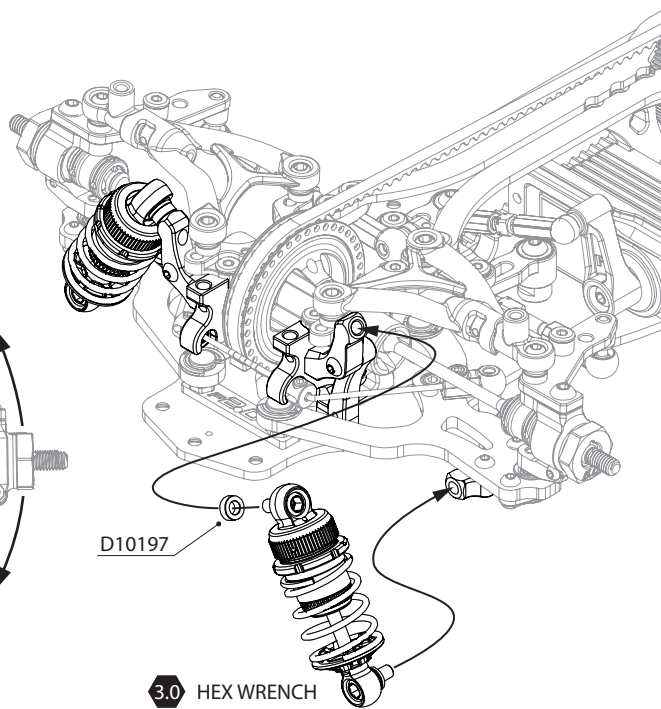
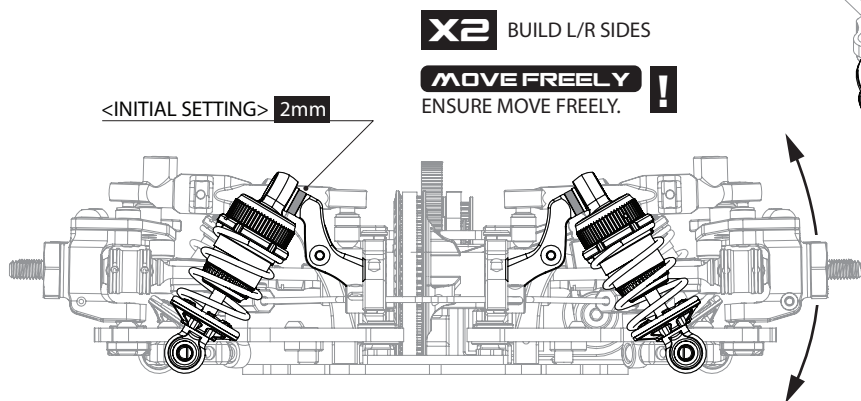
- D10048 Destiny Shock Maintenance Parts
- D10050 Destiny Shock Piston (4 holes), 4 pcs
- D10051 Destiny Shock Aluminum Ball (5.8mm), 8pcs
- D10052 Destiny Shock Shaft, 2 pcs
- D10053 O-Ring (13x1mm), 5 pcs
- D10054 Silicone O-Ring (Shock Shaft), 8 pcs
- D10099 M2 E-Clip, 10 pcs

- D10114 M3x8 Set Screw, 10 pcs
- D10251 Destiny Short Shock Body Set, 1 pair
- D10305 Destiny Shock Aluminum Ball (5.8mm), Long, 4pcs
- D10341 Destiny Shock Plastic Parts Set (V2)
- D10342 Destiny Shock Absorber Membrane (V2), 4 pcs
- D10343 Destiny Short Shock Set (V2), 4 pcs



## 25

### FRONT SHOCK ASSEMBLY



#### SHOCK POSITION

SHOCK POSITION ADJUSTED BY DIFFERENT SIZE OF SHIM.

##### FRONT

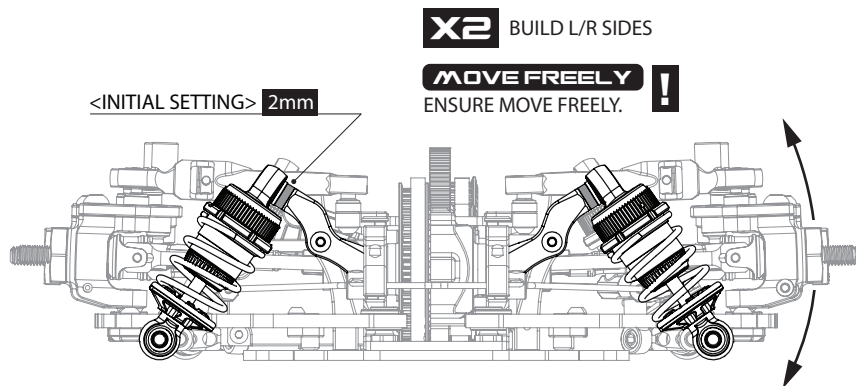
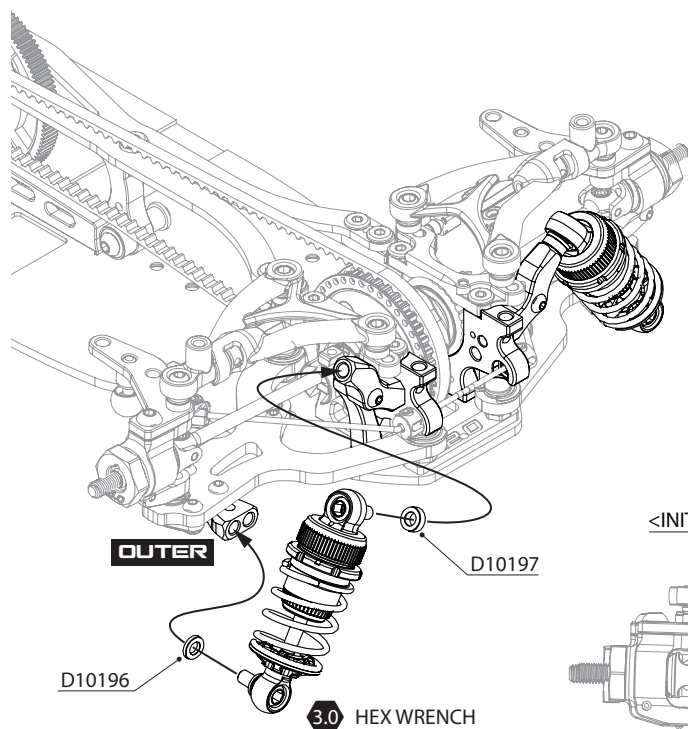
- MORE SHIM : MORE ENTRY CORNER STEERING.
- LESS SHIM : LESS ENTRY STEERING, MORE MID-CORNER STEERING.

##### REAR

- MORE SHIM : MORE REAR TRACTION.
- LESS SHIM : BETTER CORNERING SPEED AND CAR ROTATION.

## 26

### REAR SHOCK ASSEMBLY



- D10196 3x5.5x1.0mm Aluminum Spacer (Black), 10 pcs  
 D10197 3x5.5x2.0mm Aluminum Spacer (Black), 10 pcs

27

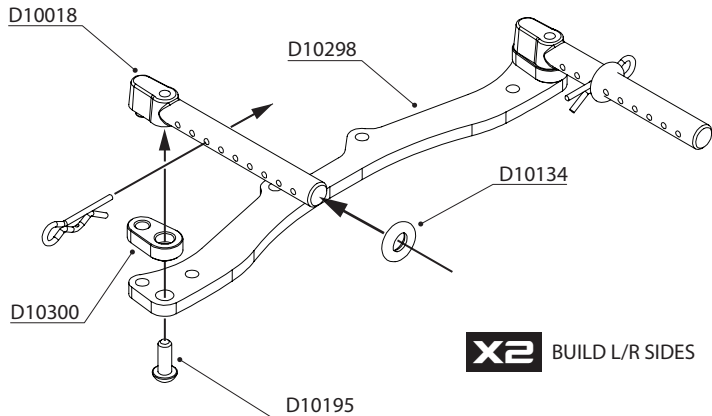
## BUMPER AND BODY POSTS ASSEMBLY

REAR

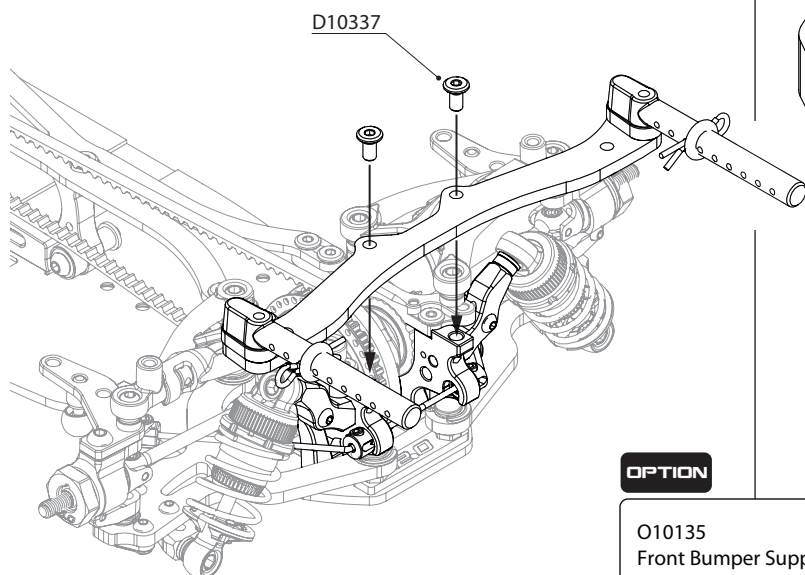
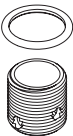
BAG

F

## FRONT &amp; REAR BODY CUSIONS

**X4** INSTALL TO FRONT & REAR BODY POSTS

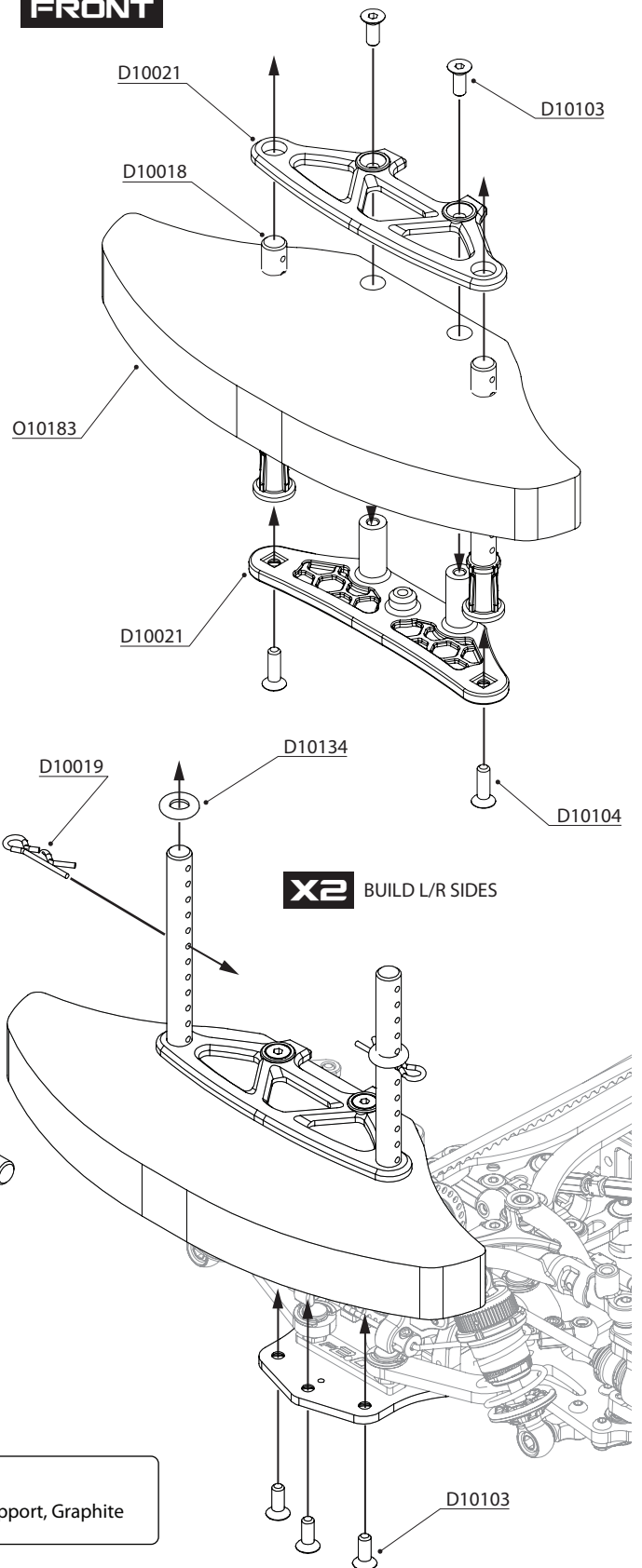
OPTION

**RADTEC**#BA-10005  
Alum Body Height Fine  
Adjuster Set, BLACK#BA-10002  
Alum Body Height Fine  
Adjuster Set, GREY

OPTION

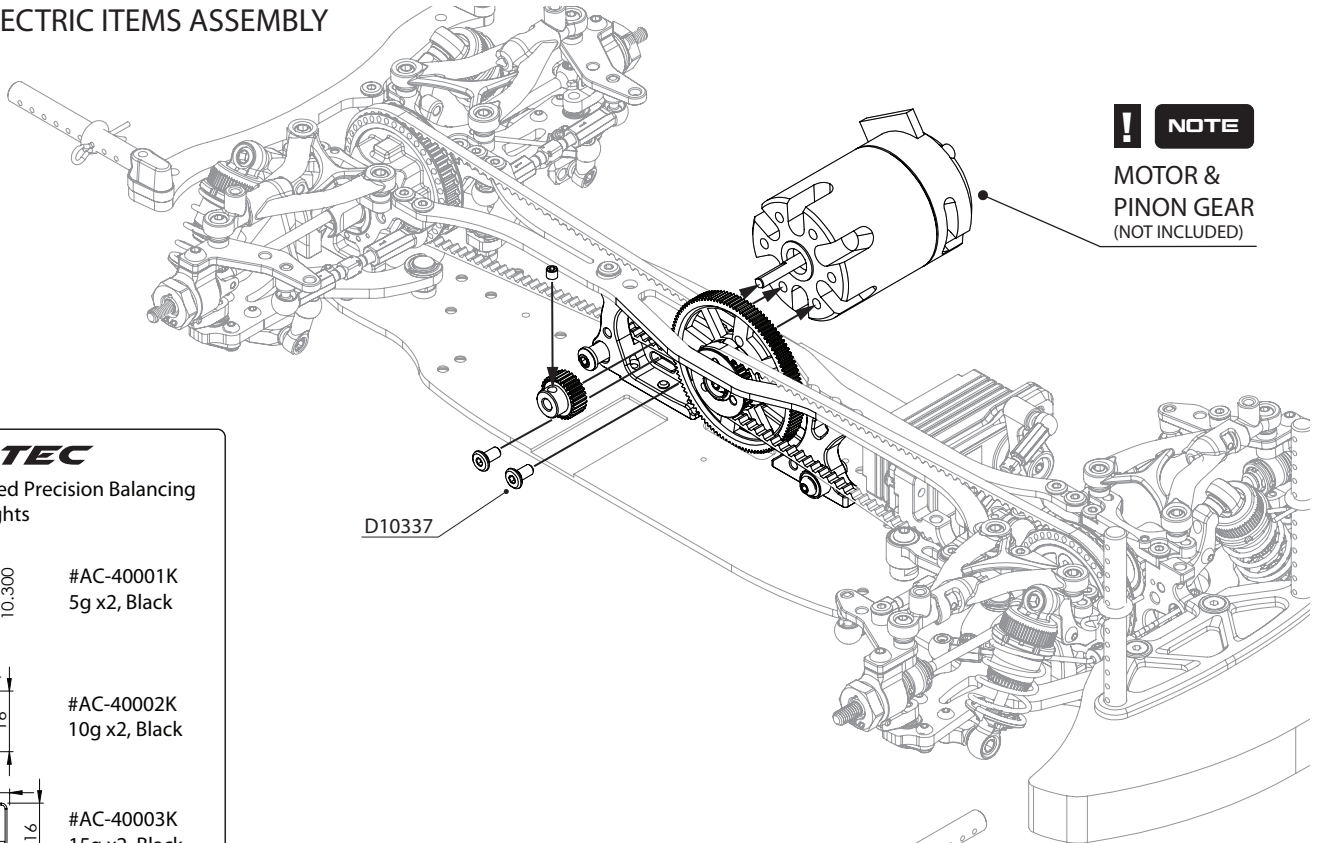
O10135  
Front Bumper Support, Graphite

FRONT



D10018 Plastic Front and Rear Body Post Set  
 D10019 Body Clips  
 D10021 Plastic Bumper Set  
 D10103 M3x8 Flathead Screw  
 D10104 M3x10 Flathead Screw

D10134 Body Cusions, 10 pcs  
 O10183 Urethane Foam Bumper (Large)  
 D10298 Graphite Rear Body Post Mount  
 D10300 Aluminum Rear Body Post Extension Mount  
 D10337 M3x6 ULP head Screw, 10 pcs

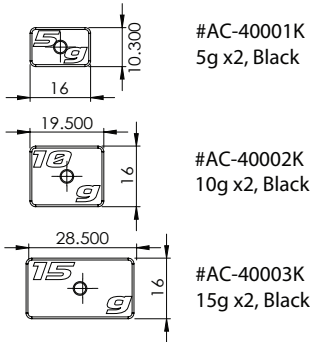


**NOTE**  
MOTOR &  
PINON GEAR  
(NOT INCLUDED)

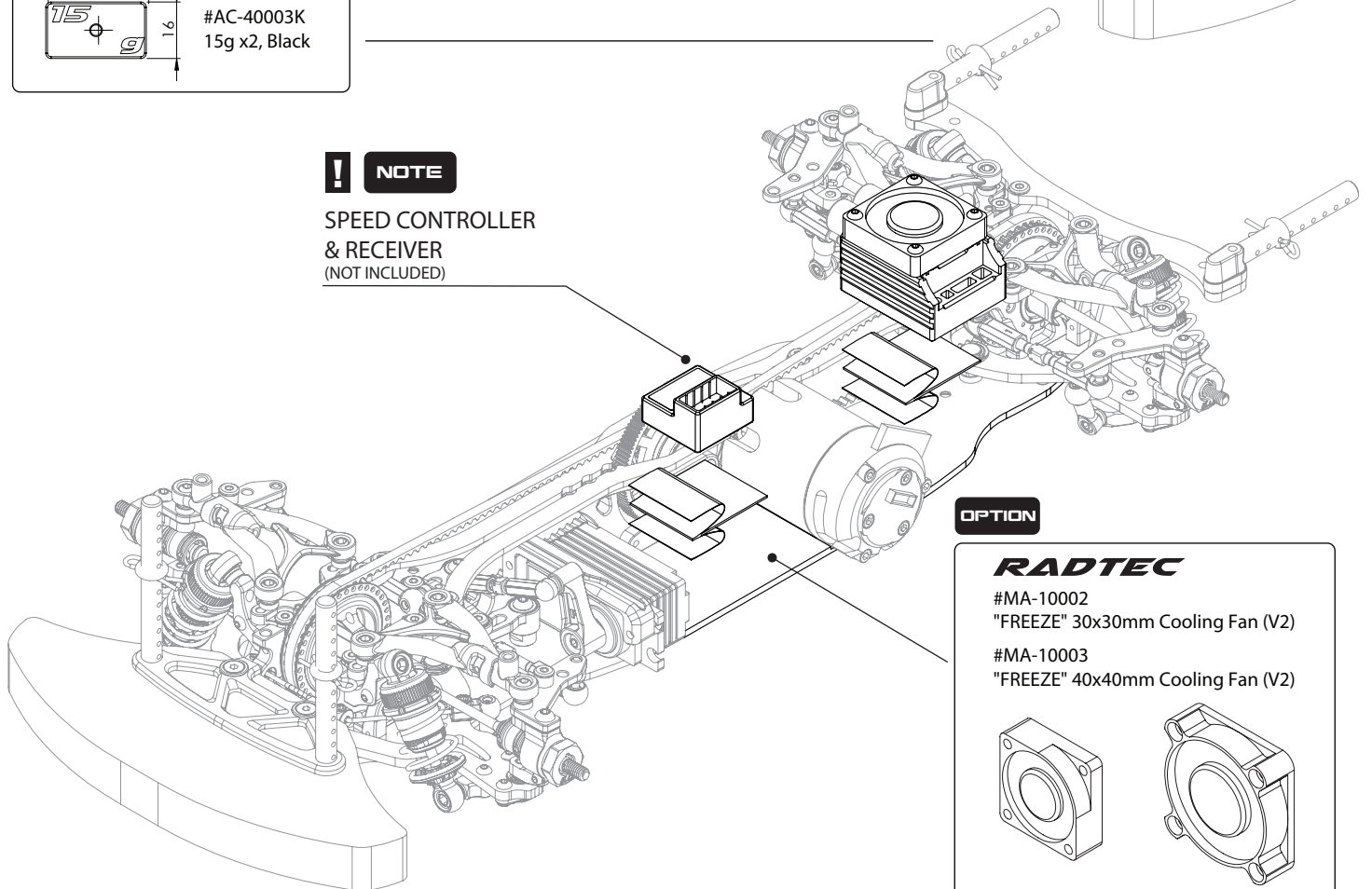
**OPTION**

**RADTEC**

CNC Machined Precision Balancing Chassis Weights



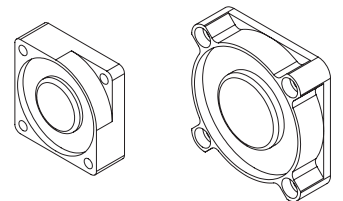
**NOTE**  
SPEED CONTROLLER  
& RECEIVER  
(NOT INCLUDED)



**OPTION**

**RADTEC**

- #MA-10002  
"FREEZE" 30x30mm Cooling Fan (V2)
- #MA-10003  
"FREEZE" 40x40mm Cooling Fan (V2)

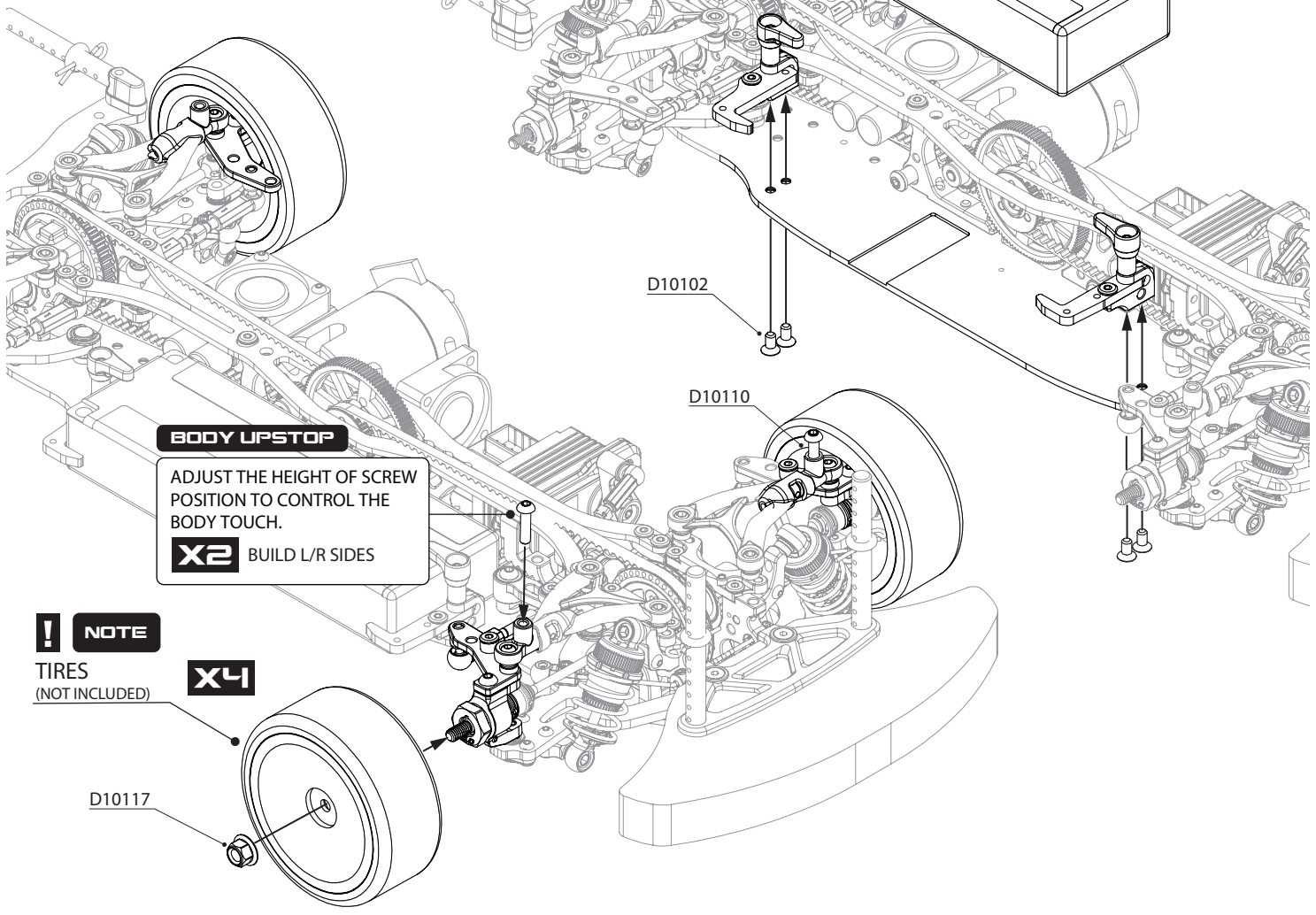
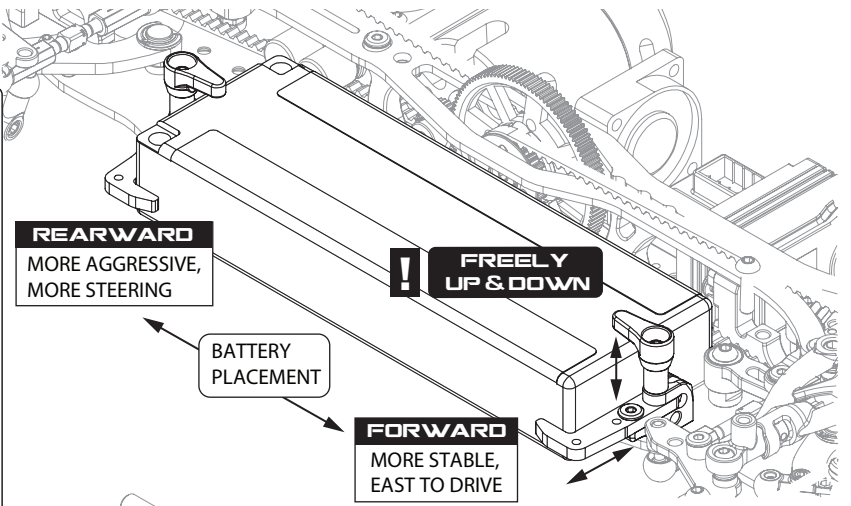
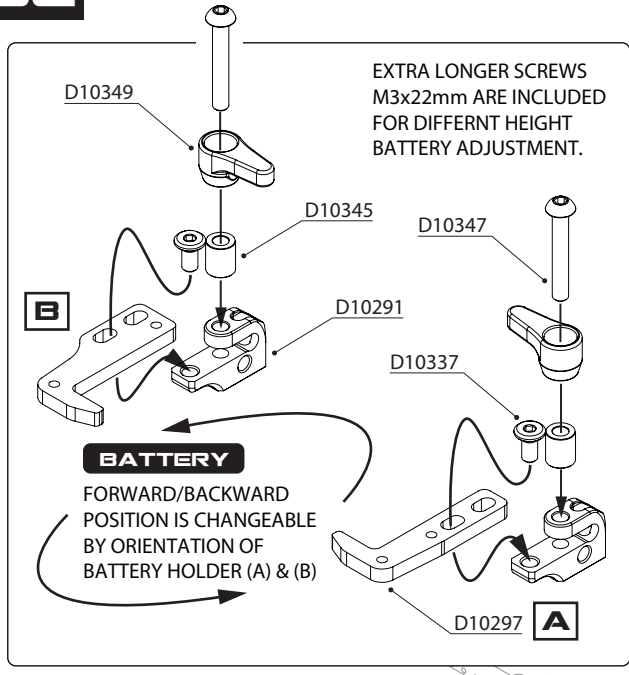


D10337 M3x6 ULP head Screw, 10 pcs



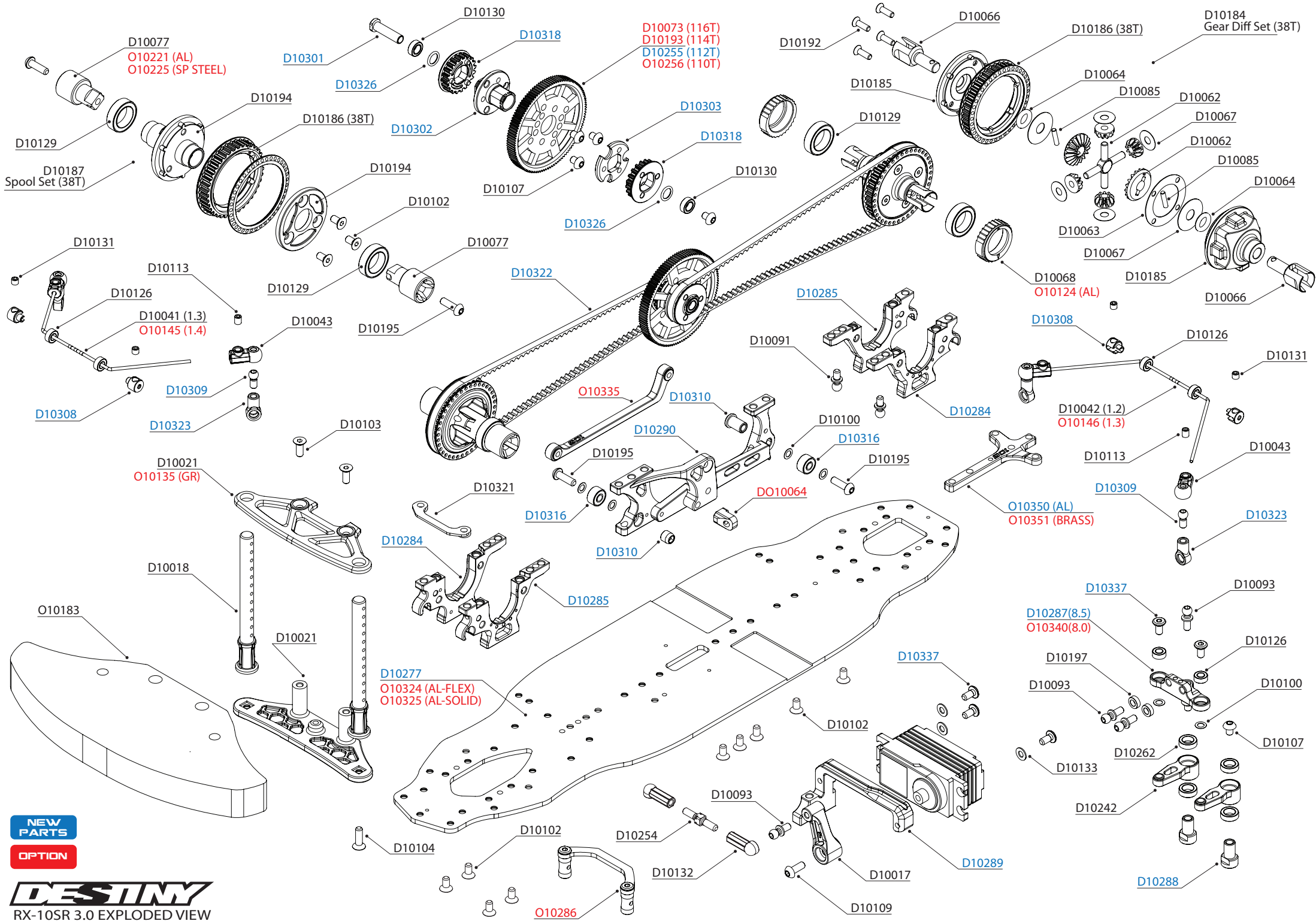
**29**

**BATTERY AND TIRES ASSEMBLY**



- D10102 M3x6 Flathead Screw, 10 pcs
- D10110 M3x12 Roundhead Screw, 10 pcs
- D10117 4mm Flanged Nut, 4 pcs
- D10291 Aluminum Battery Bracket
- D10297 Graphite Battery Holder Set (A & B)

- D10337 M3x6 ULP head Screw, 10 pcs
- D10345 3x5.5x6.5mm Aluminum Spacer (Black), 4 pcs
- D10349 Battery Backstop
- D10347 M3x20 Roundhead Screw, 10 pcs
- D10348 M3x22 Roundhead Screw, 10 pcs



NEW PARTS  
OPTION





DATE  /  /

DRIVER NAME

TRACK

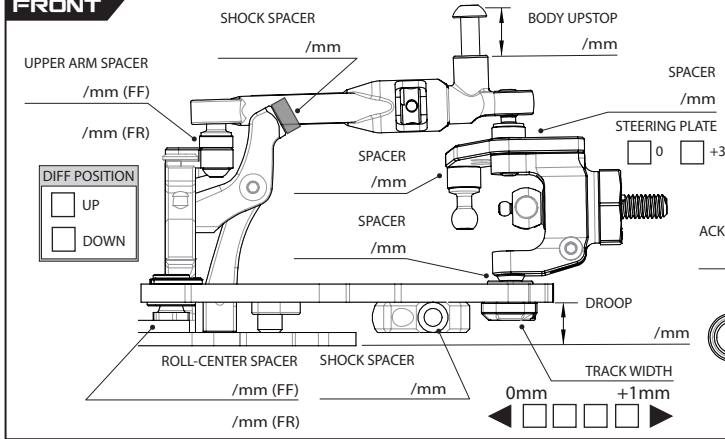
CONDITION  CARPET  ASPHALT

TRACTION  HIGH      LOW

TEMP °C AIR  TRACK

EVENT  BEST LAP TIME  QUALIFYING POSITION  FINAL POSITION

### FRONT



FRONT DIFF  SPOOL  DIFF # /CST

WHEEL HUB  4.0mm  5.0mm

WHEEL SPACER /mm

ACKERMANN SPACER /mm

CENTER PLATE  ● (8.5)  ● (8.0)

STEERING SPACER /mm

RIDE HEIGHT /mm

CAMBER °

CASTER  4°  5°

SWAY BAR  1.3  1.4  OTHERS

DOUBLE JOINT DRIVE SHAFT  KIT (44.5)  LONG (47)

TOE ANGLE °

SHOCK ABSORBER

OIL /CST

LENGTH /mm

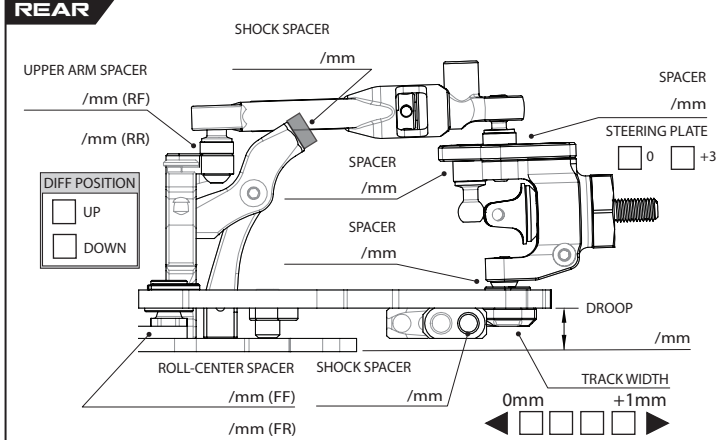
REBOUND %

SPRING  2.5  2.6  2.7  OTHERS

ABSORBER MEMBRANCE

PISTON  3 HOLES  4 HOLES

### REAR



DIFF OIL # /CST

WEIGHT g

WHEEL HUB  4.0mm  5.0mm

WHEEL SPACER /mm

ANTI-ROLL BAR POSITION  INNER  OUTER

REAR LINK POSITION

RIDE HEIGHT /mm

CAMBER °

CASTER  0°  1°

SWAY BAR  1.2  1.3  OTHERS

DRIVE SHAFT  ALUM  SPRING STEEL

TOE ANGLE °

SHOCK ABSORBER

OIL /CST

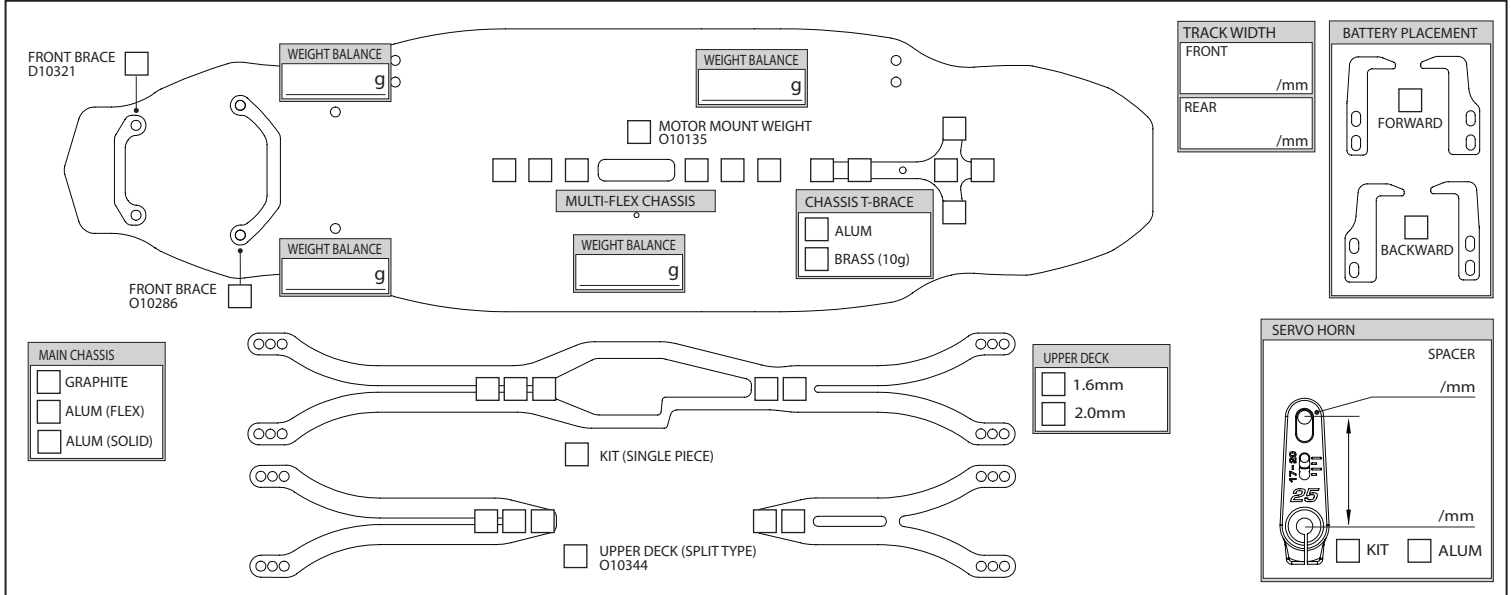
LENGTH /mm

REBOUND %

SPRING スプリング  2.5  2.6  2.7  OTHERS

ABSORBER MEMBRANCE

PISTON  3 HOLES  4 HOLES



TIRE SETTING

| FRONT               | REAR                |
|---------------------|---------------------|
| TIRE                | TIRE                |
| INSERT              | INSERT              |
| WHEEL               | WHEEL               |
| ADDITIVE            | ADDITIVE            |
| ADDITIVE TIME /MINS | ADDITIVE TIME /MINS |

MOTOR  TURNS ROTOR /mm MOTOR TIMING °

PINON GEAR T SPUR GEAR T FINAL RATIO

ESC SETUP

BATTERY  SHORTY BODY TOTAL WEIGHT /g

NOTE



# **DESTINY**

<http://www.destinyracing.jp>