

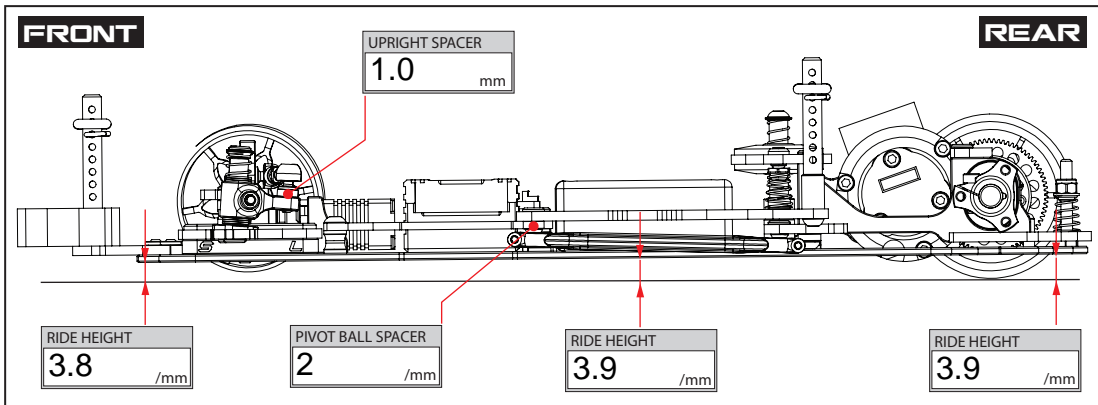
DATE 2026 / 4 / 25  
 DRIVER NAME SHOTA WATANABE

TRACK ワールドジャム  
 CONDITION  CARPET  ASPHALT

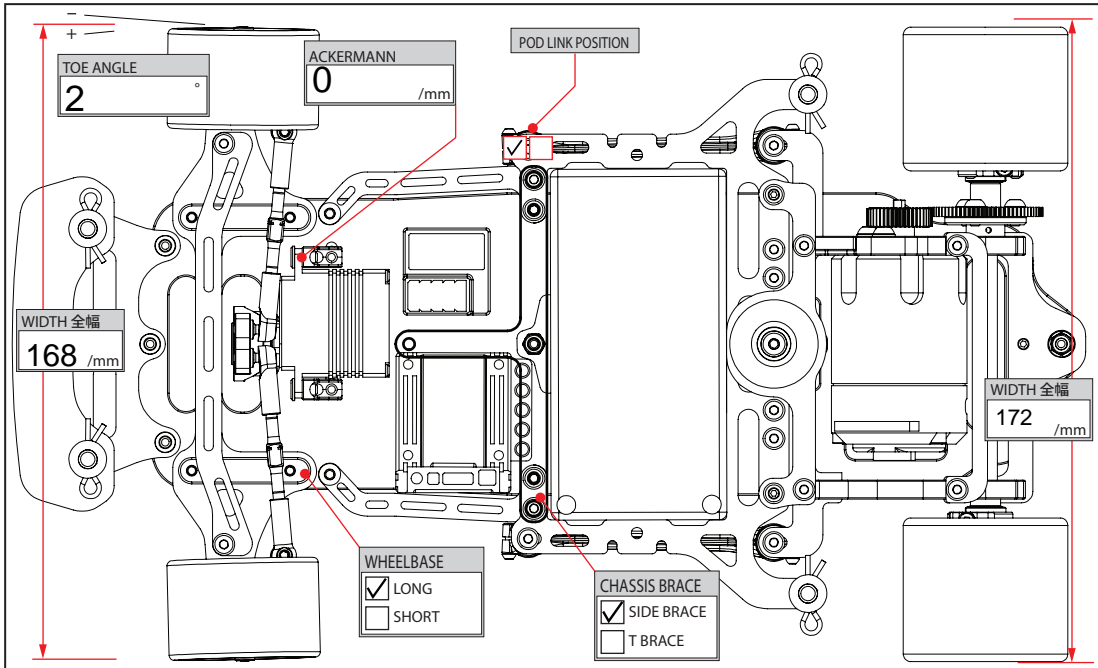
TRACTION HIGH      LOW  
 TEMP. AIR TRACK

EVENT \_\_\_\_\_ BEST LAP TIME 9.08s QUALIFYING POSITION \_\_\_\_\_ FINAL POSITION \_\_\_\_\_

LENGTH 10.8 /mm  
 DOWN STOP 2.4 /mm  
 REAR DAMPER SPRING  
 SOFT  MEDIUM  HARD  
 OTHERS 専用 MS



FRONT SPRING  
 SOFT  MEDIUM  HARD  
 OTHERS \_\_\_\_\_  
 CAMBER 1.0 °  
 STEERING LINK  
 CASTER  3°  4°  5°  
 SHIMS シム 1.5 /mm  
 1.5 /mm  
 WIDTH SPACERS 1.0 /mm  
 FRONT BRACE  YES  NO  
 KINGPIN OIL タミヤフリクション Medium /CST



SIDE SPRING  
 SOFT  MEDIUM  HARD  
 OTHERS \_\_\_\_\_  
 SIDE TUBE OIL KYOSHO 上15000下5000 /CST  
 LENGTH 0デーション /mm

RIDE HEIGHT  
 0.00  
 -0.25  
 -0.50  
 -0.75  
 -1.00  
 -1.25  
 -1.50  
 -1.75  
 -2.00  
 AXLE POSITION  UP  DOWN  
 DIFF SETTING  
 SPOOL  
 BALL DIFF  
 TIGHT  
 MEDIUM  
 LOOSE

TIRE SETTING

FRONT	REAR
TIRE KY-EPSJ-CT	TIRE KY-EPSJ-CT
DIAMETER 40.2 /mm	DIAMETER 40.9 /mm
ADDITIVE _____	ADDITIVE スバイダーグリーン
ADDITIVE TIME 30 /MINS	ADDITIVE TIME 70 /MINS
ADDITIVE AREA	ADDITIVE AREA

MOTOR R1WURKS V30 13.5T TURNS 12.5 /mm MOTOR TIMING 50 °  
 PINON GEAR 44 T SPUR GEAR 73 T FINAL RATIO \_\_\_\_\_ ROLLOUT \_\_\_\_\_  
 ESC \_\_\_\_\_ SETUP \_\_\_\_\_  
 BATTERY SMC 9200 BODY SuperRad SR-06Y-010 TOTAL WEIGHT 732 /grams

MEMO

- DTY-D40006 Servo Saver Horn for Xray Saver (7.0)
- ROCHE-220350 P12V2フロントブレース Flex
- ky378 3Dバンパーロング
- フリクションスプリング下1巻カット
- サーボ横5g