

TC 01625



HIGH PERFORMANCE 1:10 ELECTRIC TOURING CAR
SETUP SHEET

Driver: _____

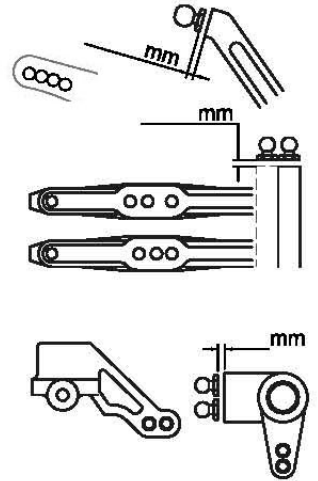
Track / City: _____

Event: _____

Date: _____

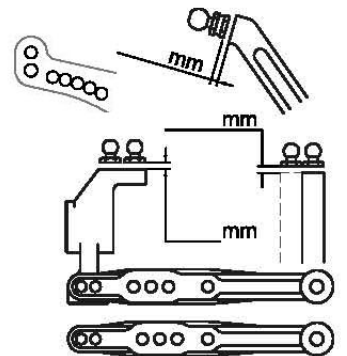
Front

Caster _____	◦ Downstops _____ mm	Oil _____ WT
Toe-out _____	◦ Anti-roll bar _____ mm	Piston _____
Camber _____	◦ Front width _____ mm	Rebound _____
Ride Height _____	Front drive _____	Spring _____ lbs
Wishbone _____	Front pulley _____	Shock tower _____
Wheelbase _____	Steering _____	Steering block _____
F Mount _____	F Height shims _____ mm	F WB shims _____ mm
R Mount _____	R Height shims _____ mm	R WB shims _____ mm



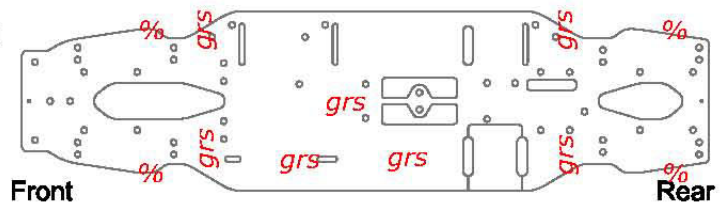
Rear

Anti-squat _____	◦ Downstops _____ mm	Oil _____ WT
Toe-in _____	◦ Anti-roll bar _____ mm	Piston _____
Camber _____	◦ Rear width _____ mm	Rebound _____
Ride Height _____	Center pulley _____ T	Spring _____ lbs
Wishbone _____	Rear pulley _____ T	Shock tower _____
Wheelbase _____		Upright _____ toe-in
F Mount _____	F Height shims _____ mm	F WB shims _____ mm
R Mount _____	R Height shims _____ mm	R WB shims _____ mm



Others

Tires _____	Tire additive _____
Motor _____	Motor setup _____
Radio _____	Servo _____
Body _____	Wing _____
	Lead Weights _____ g
	Weight balance _____
	Spur / Pinion _____ T / _____ T
	ESC _____



Track Conditions

Surface _____

Traction _____

Temp. _____

Notes _____

Race Comments

Main ____ Finish _____ Qual. Pos. ____ Time _____ Laps _____