

TC 01625



HIGH PERFORMANCE 1:10 ELECTRIC TOURING CAR

SETUP SHEET

Driver: _____

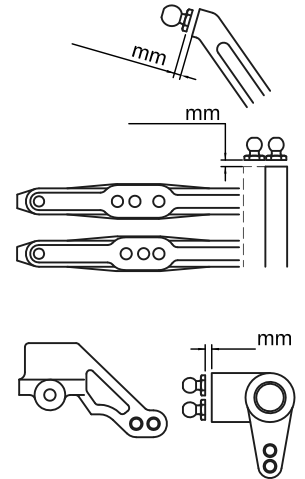
Track / City: _____

Event: _____

Date: _____

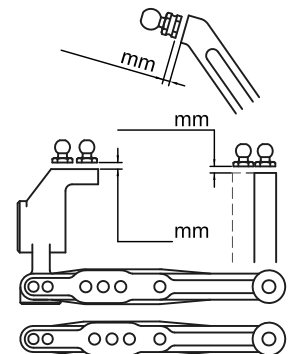
Front

Caster _____ Downstops _____ mm Oil _____ WT
 Toe-out _____ Anti-roll bar _____ mm Piston _____
 Camber _____ Front width _____ mm Rebound _____
 Ride Height _____ Front drive _____ Spring _____ lbs
 Wishbone _____ Front pulley _____ Shock tower _____
 Wheelbase _____ Steering _____ Steering block _____
 F Mount _____ F Height shims _____ mm F WB shims _____ mm
 R Mount _____ R Height shims _____ mm R WB shims _____ mm



Rear

Anti-squat _____ Downstops _____ mm Oil _____ WT
 Toe-in _____ Anti-roll bar _____ mm Piston _____
 Camber _____ Rear width _____ mm Rebound _____
 Ride Height _____ Center pulley _____ T Spring _____ lbs
 Wishbone _____ Rear pulley _____ T Shock tower _____
 Wheelbase _____ Upright _____ toe-in
 F Mount _____ F Height shims _____ mm F WB shims _____ mm
 R Mount _____ R Height shims _____ mm R WB shims _____ mm

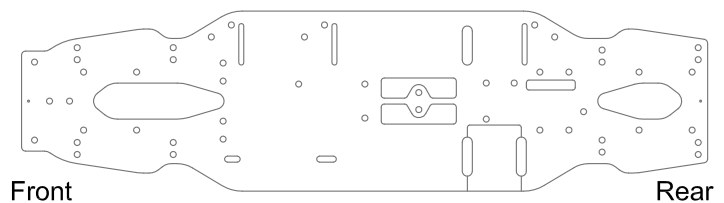


Others

Tires _____ Tire additive _____
 Motor _____ Motor setup _____ Spur / Pinion _____ T / _____ T
 Radio _____ Servo _____ ESC _____
 Body _____ Wing _____ Weight balance _____
 Lead Weights _____ g

Track Conditions

Surface _____
 Traction _____
 Temp. _____
 Notes _____



Race Comments

Main ____ Finish _____ Qual. Pos. ____ Time _____ Laps _____