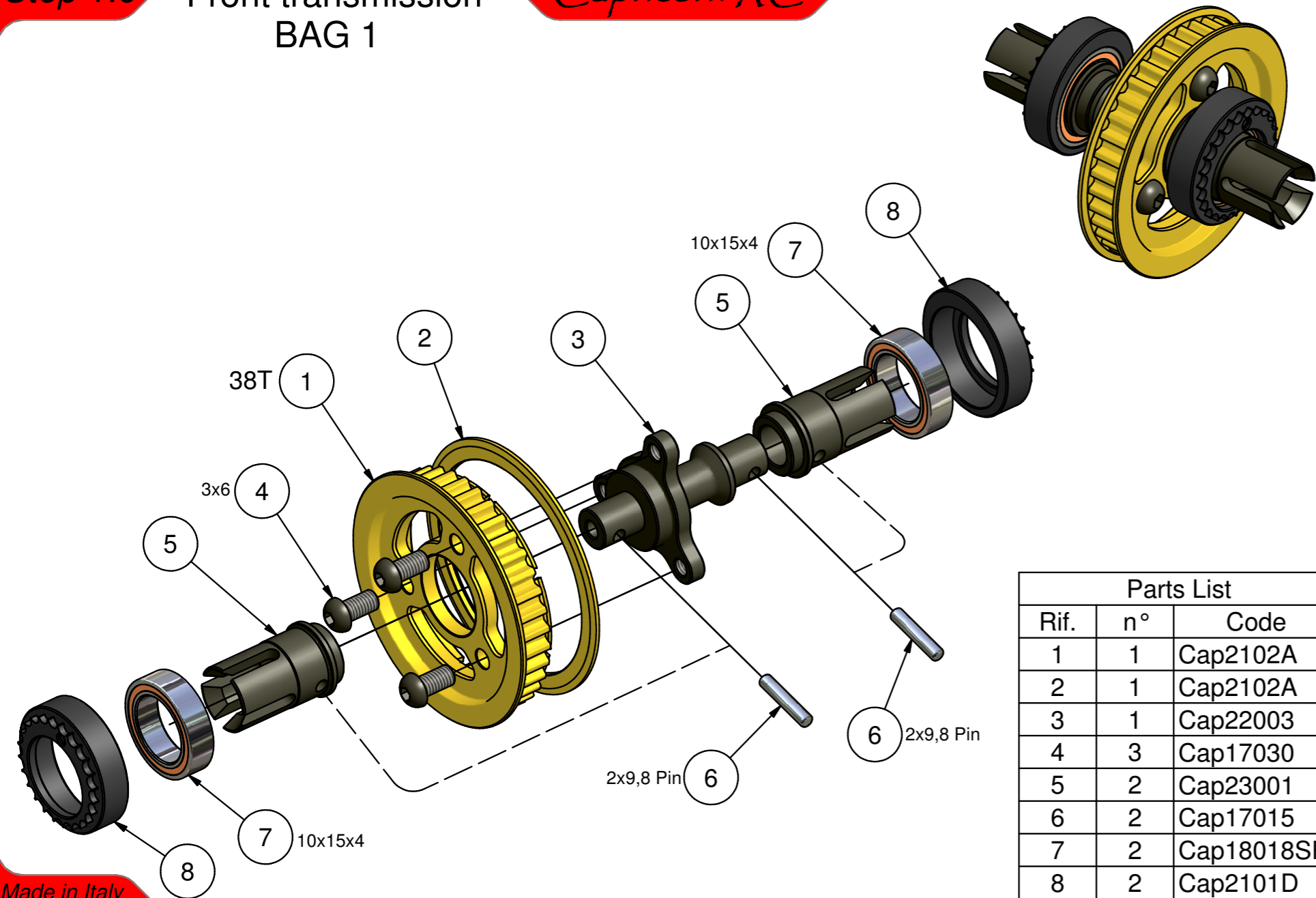


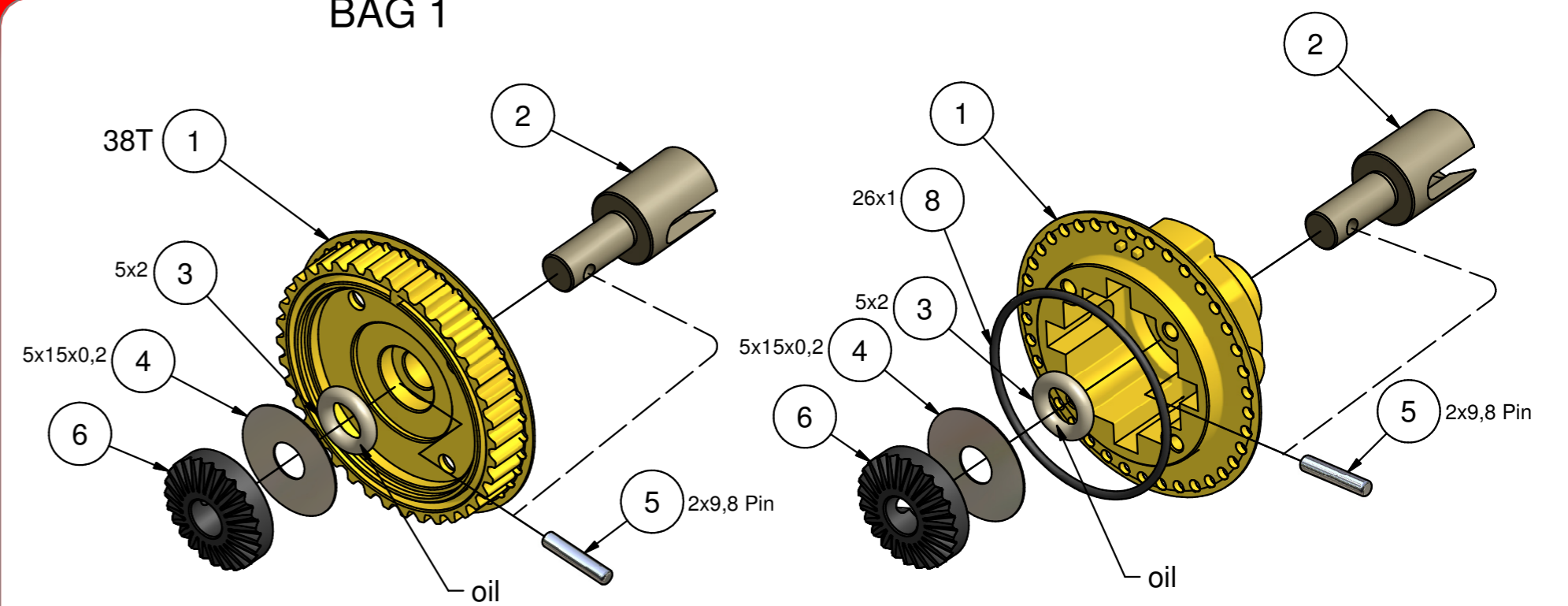
Step 1.0 - Front transmission - *Capricorn RC*
BAG 1



Parts List		
Rif.	n°	Code
1	1	Cap2102A
2	1	Cap2102A
3	1	Cap22003
4	3	Cap17030
5	2	Cap23001
6	2	Cap17015
7	2	Cap18018SR
8	2	Cap2101D

Made in Italy

Step 1.1 - Rear Differential - *Capricorn RC*
BAG 1

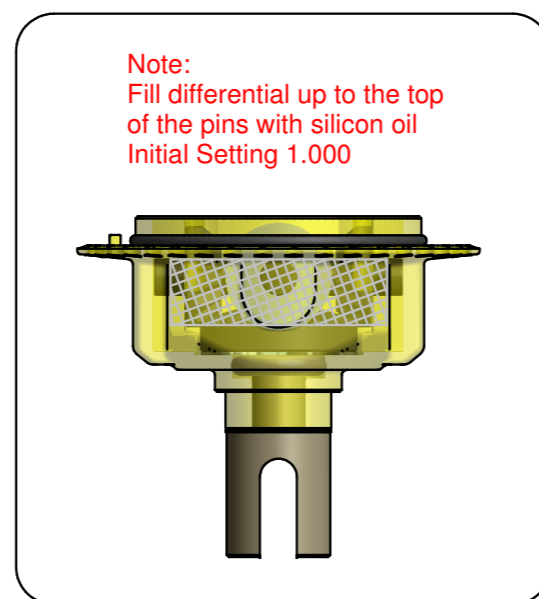
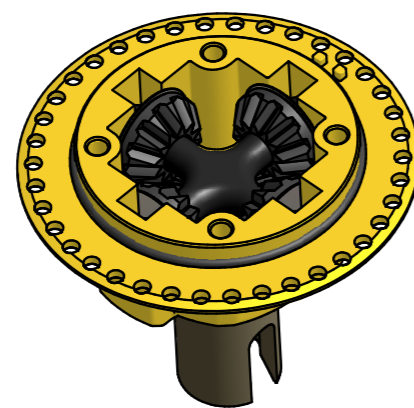
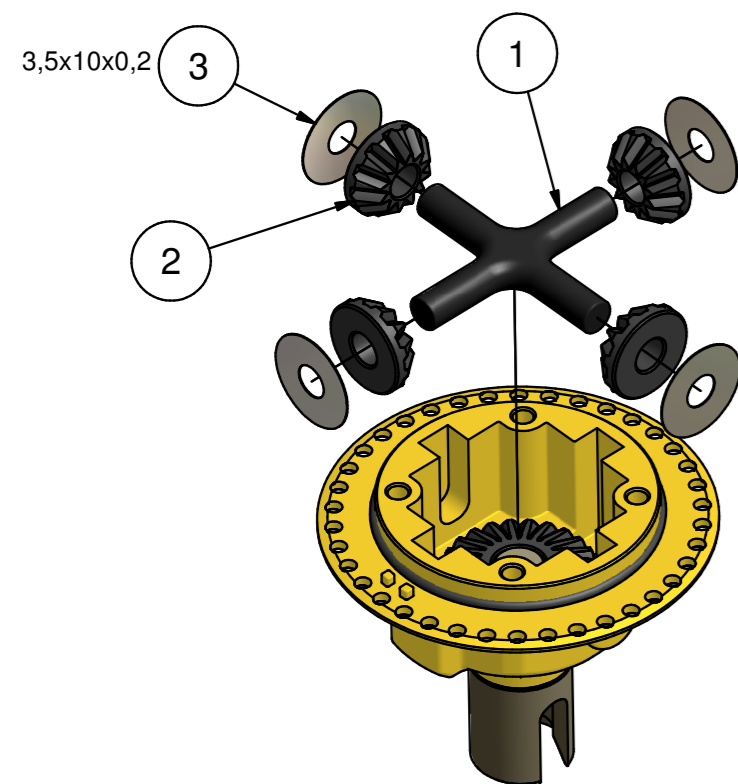


Parts List		
Rif.	n°	Code
1	1	Cap2102E
2	1	Cap22001
3	1	Cap24003
4	1	Cap23024
5	1	Cap17015
6	1	Cap21110

Parts List		
Rif.	n°	Code
1	1	Cap2102E
2	1	Cap22001
3	1	Cap24003
4	1	Cap23024
5	1	Cap17015
6	1	Cap21110
8	1	Cap24005

Made in Italy

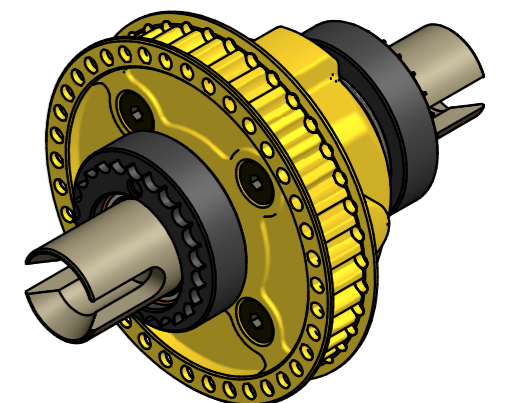
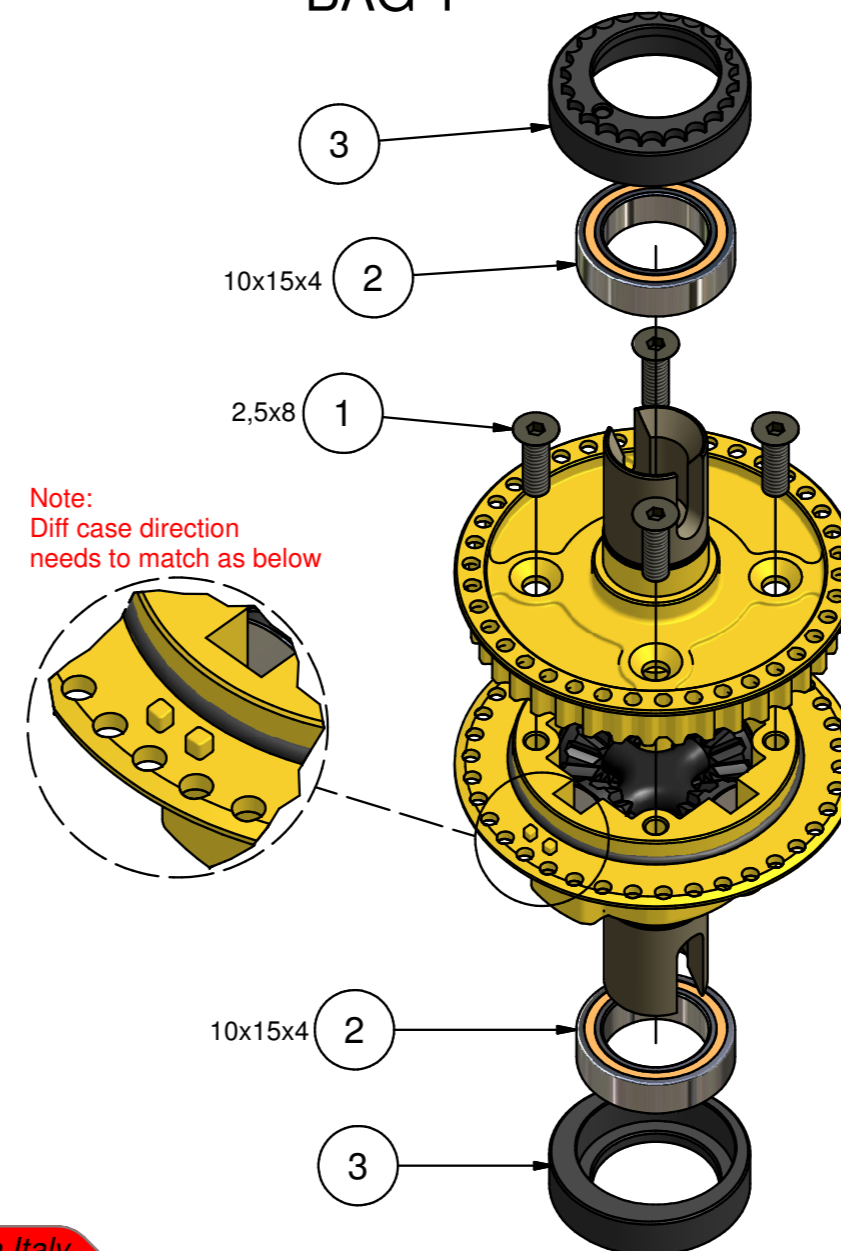
Step 1.2 - Rear Differential - *Capricorn RC*
BAG 1



Parts List		
Rif.	n°	Code
1	1	Cap21110
2	4	Cap21110
3	4	Cap23023

Made in Italy

Step 1.3 - Rear Differential - *Capricorn RC*
BAG 1



Parts List		
Rif.	n°	Code
1	4	Cap17022
2	2	Cap18018SR
3	2	Cap2101D

Made in Italy

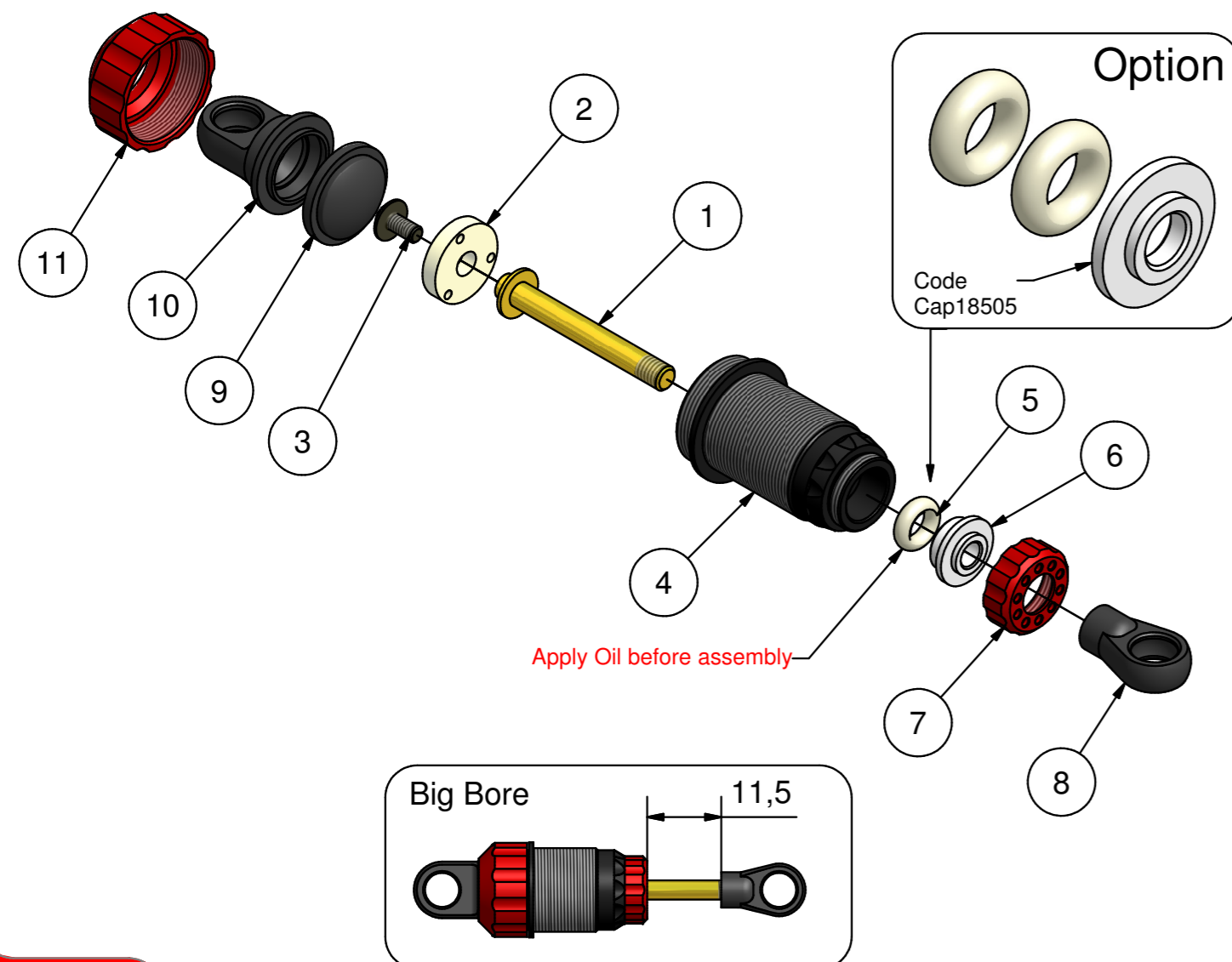
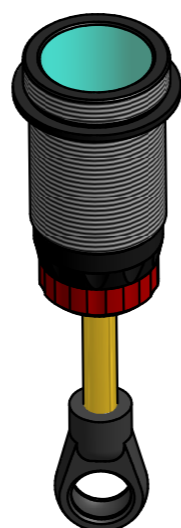
Step 2.0 - Shock Damper - BAG 2

Capricorn RC

4x

Parts List		
Rif.	n°	Code
1	1	Cap18503
2	1	Cap18506-X
3	1	Cap18507
4	1	Cap18501
5	1	Cap24008
6	1	Cap18504
7	1	Cap18502
8	1	Cap14042KS
9	1	Cap29148-6
10	1	Cap14036
11	1	Cap16085-B

Silicon Oil #500



Apply Oil before assembly

Big Bore

11,5

Made in Italy

Step 2.1 - Shock Damper - BAG 2

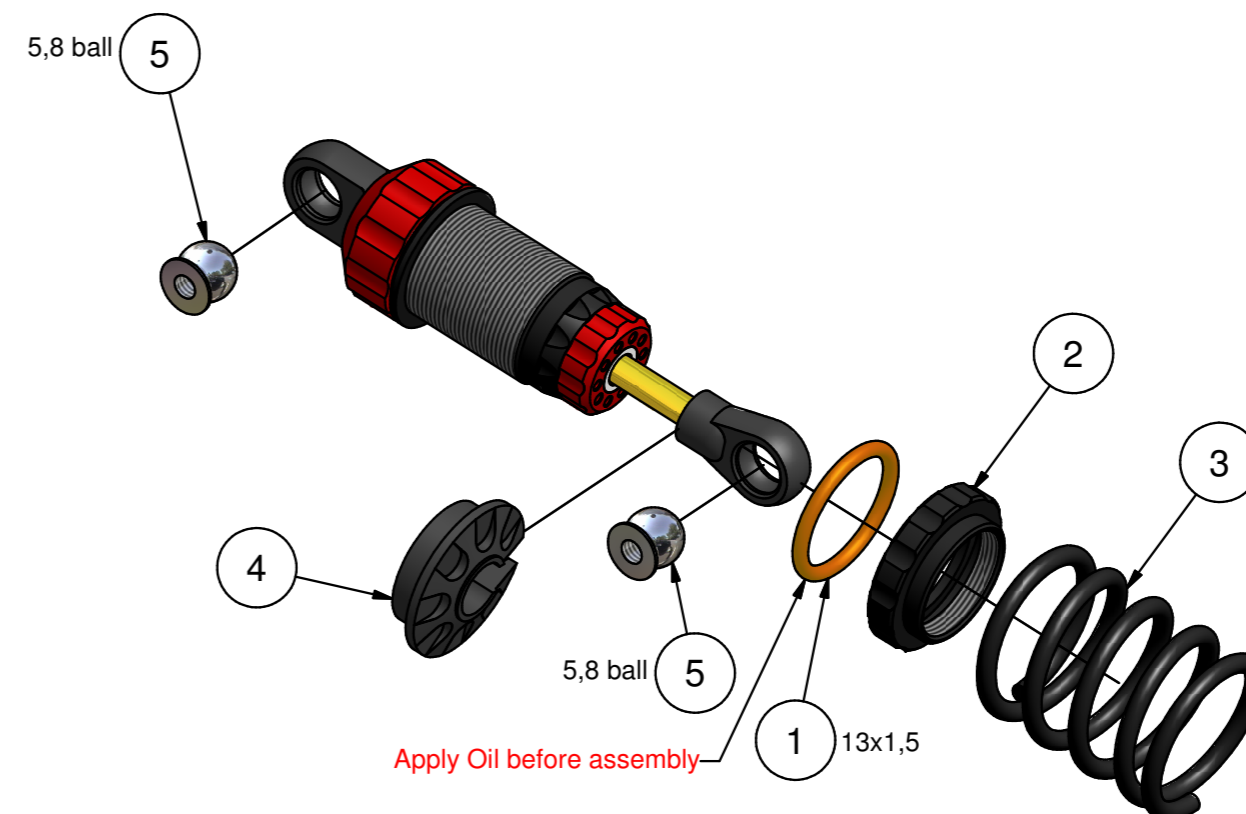
Capricorn RC

4x

Parts List		
Rif.	n°	Code
1	1	Cap29159
2	1	Cap20017
3	1	Cap29172
4	1	Cap14030
5	2	Cap16086

2x Front Spring 0.30 Yellow

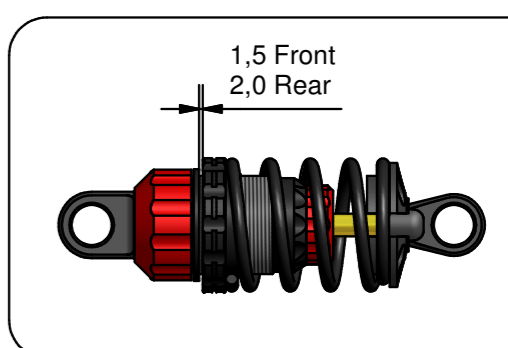
2x Rear Spring 0.28 Green
Code Cap29173



Apply Oil before assembly

5,8 ball

1 13x1,5

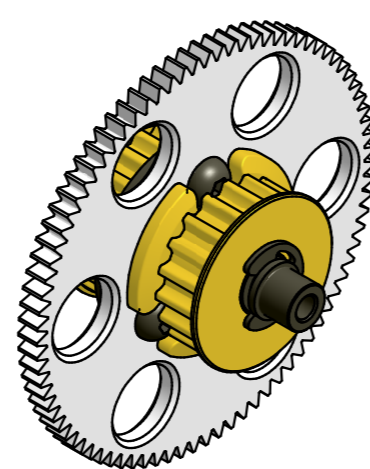
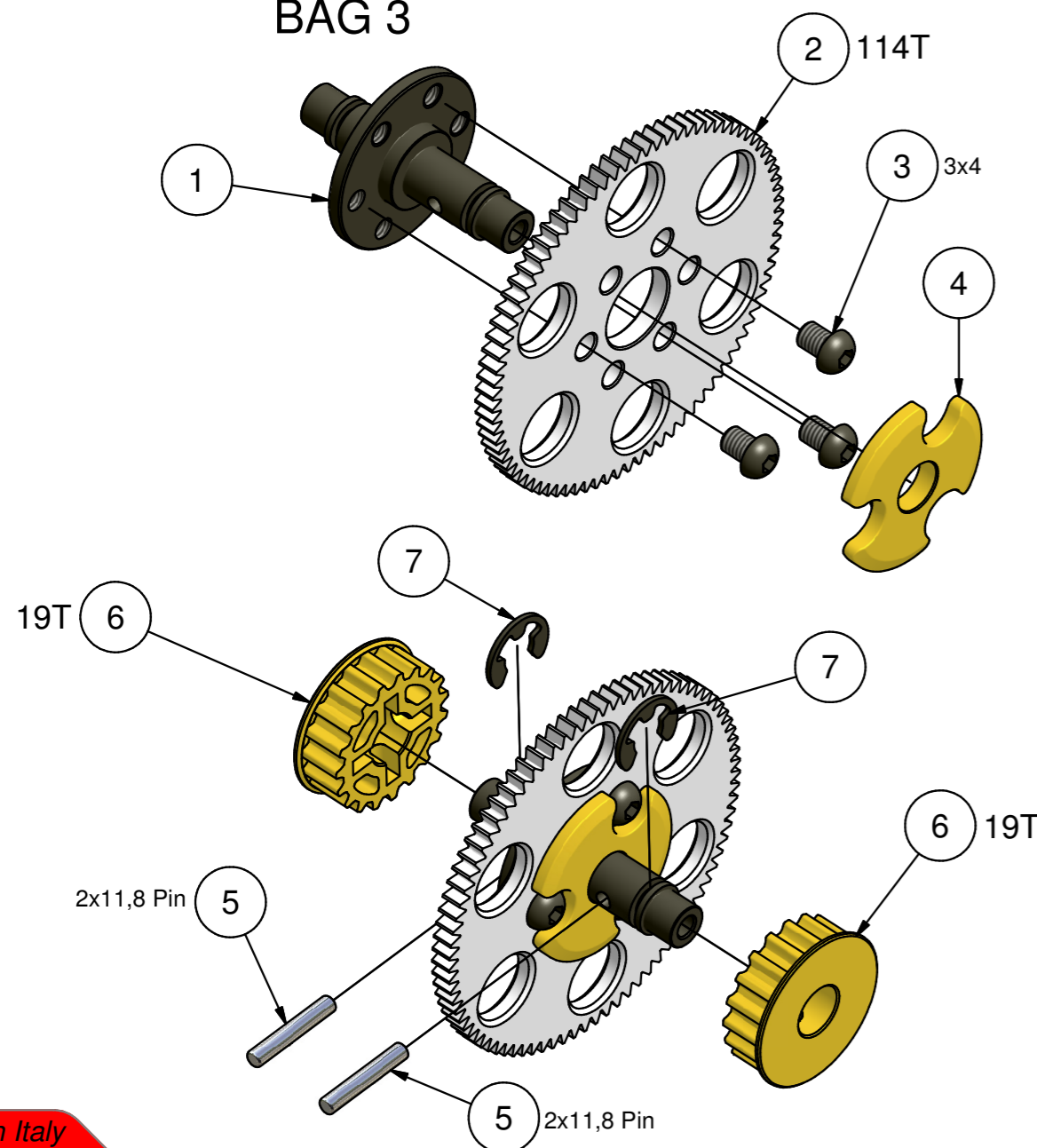


1,5 Front
2,0 Rear

Made in Italy

Step 3.0 - Main Transmission - BAG 3

Capricorn RC



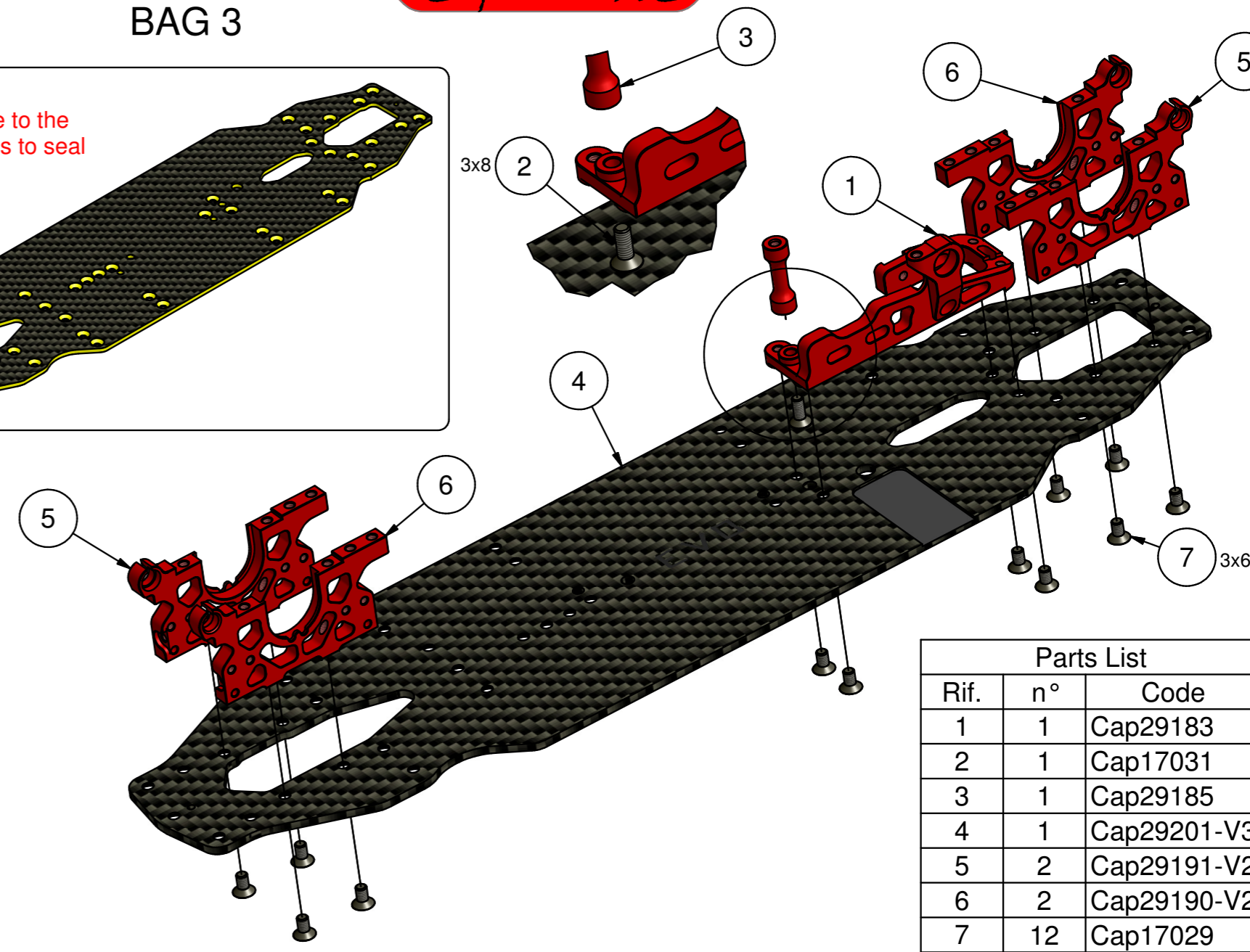
Parts List		
Rif.	n°	Code
1	1	Cap22004
2	1	Cap29114W
3	3	Cap18021
4	1	Cap2102C
5	2	Cap17016
6	2	Cap2102C
7	2	Cap25502

Made in Italy

Step 3.1 - Main Chassis - BAG 3

Capricorn RC

Note:
Apply CA Glue to the schassis edges to seal

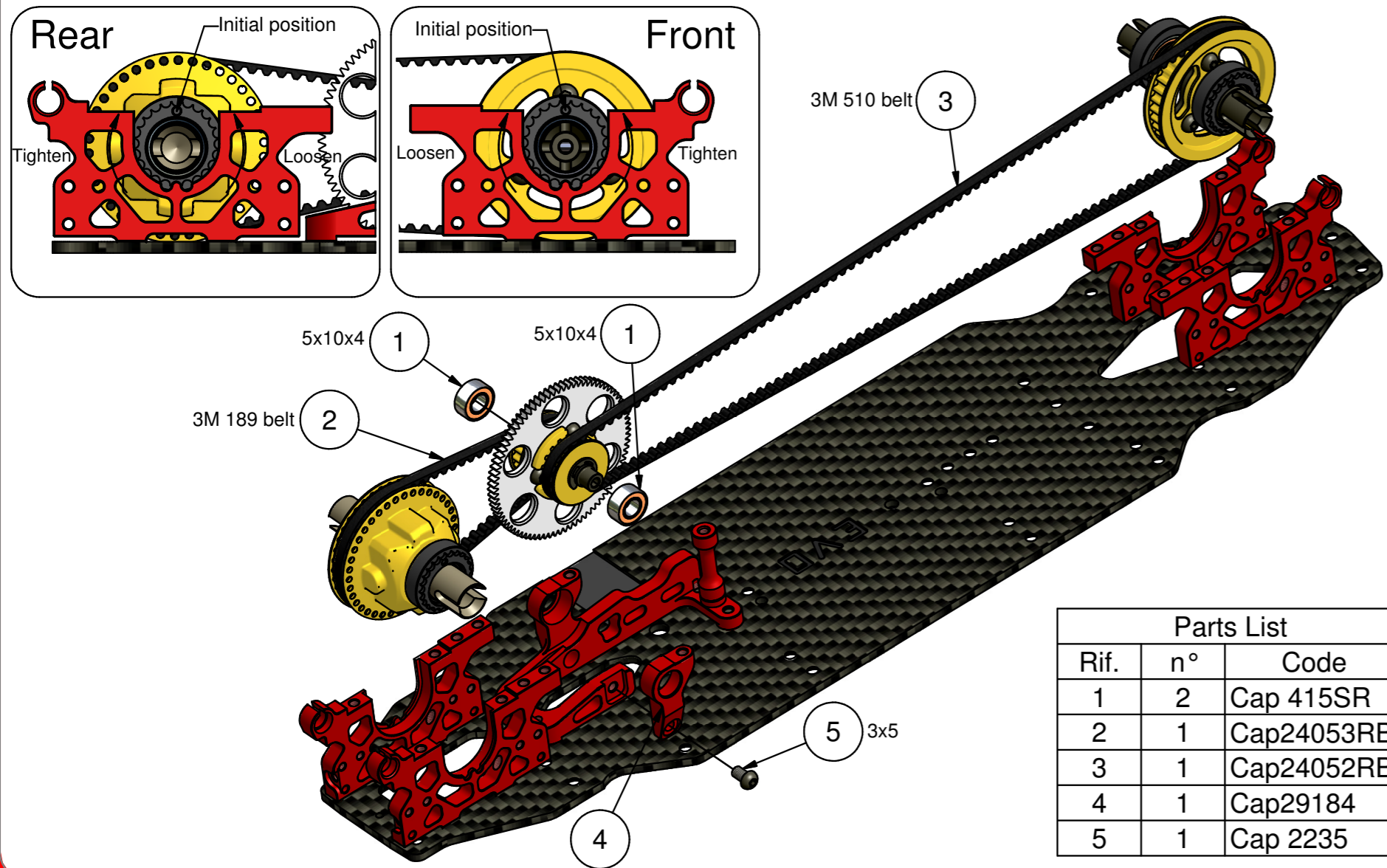


Parts List		
Rif.	n°	Code
1	1	Cap29183
2	1	Cap17031
3	1	Cap29185
4	1	Cap29201-V3
5	2	Cap29191-V2
6	2	Cap29190-V2
7	12	Cap17029

Made in Italy

Step 3.2 - Transmission - *Capricorn RC*

BAG 3

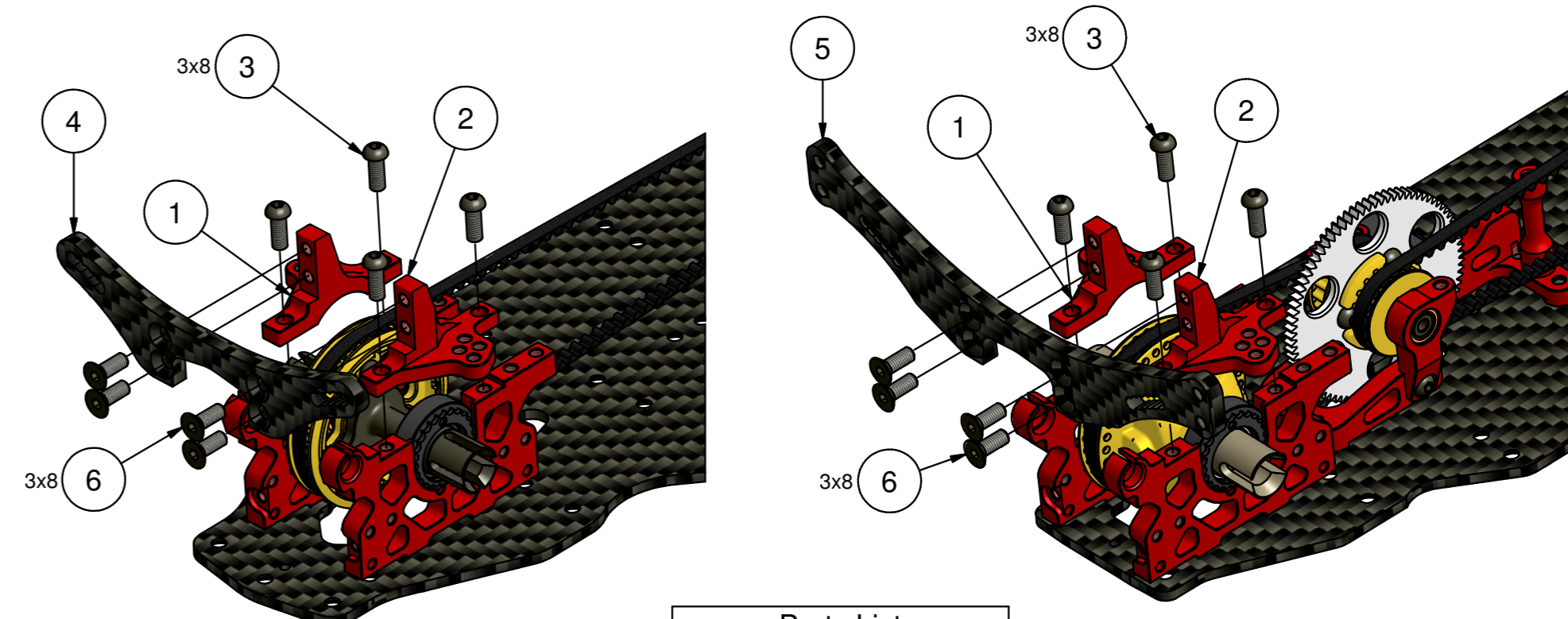


Parts List		
Rif.	n°	Code
1	2	Cap 415SR
2	1	Cap24053RB
3	1	Cap24052RB
4	1	Cap29184
5	1	Cap 2235

Made in Italy

Step 3.3 - Front / Rear Bulkhead - *Capricorn RC*

BAG 3

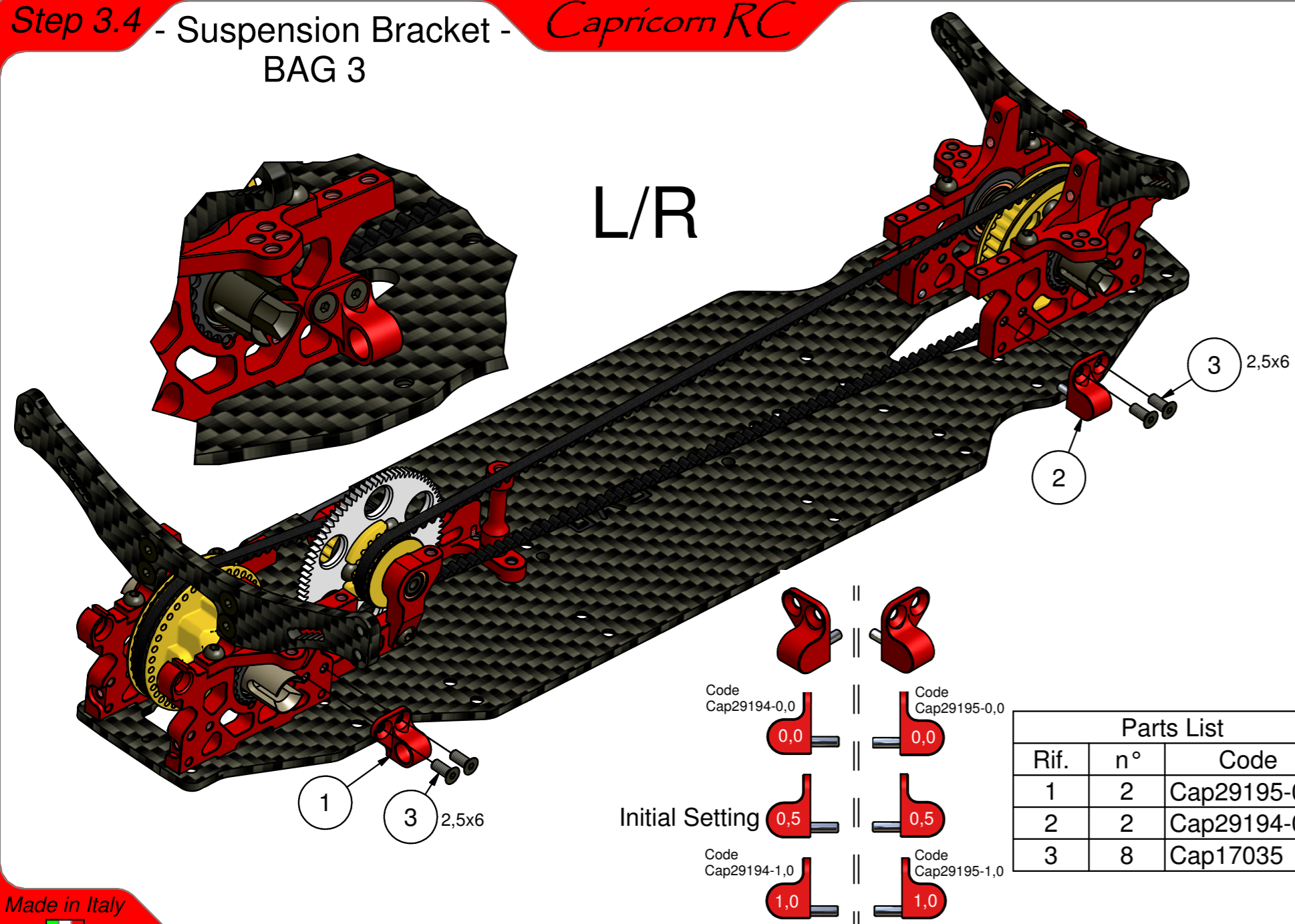


Parts List		
Rif.	n°	Code
1	2	Cap29193
2	2	Cap29192
3	8	Cap17032
4	1	Cap29198
5	1	Cap29197
6	8	Cap17031

Made in Italy

Step 3.4 - Suspension Bracket - *Capricorn RC*

BAG 3

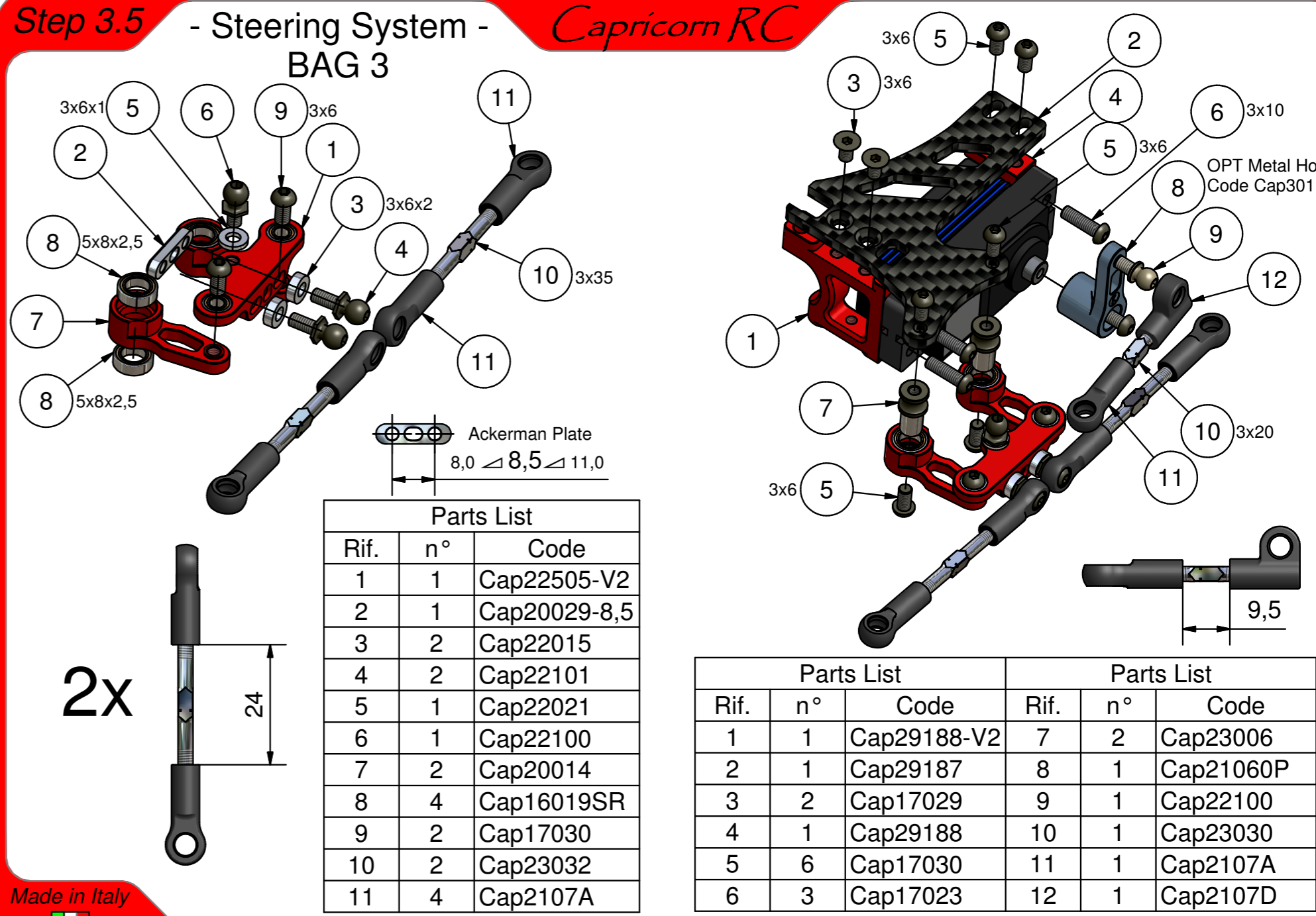


Parts List		
Rif.	n°	Code
1	2	Cap29195-0,5
2	2	Cap29194-0,5
3	8	Cap17035

Made in Italy

Step 3.5 - Steering System - *Capricorn RC*

BAG 3

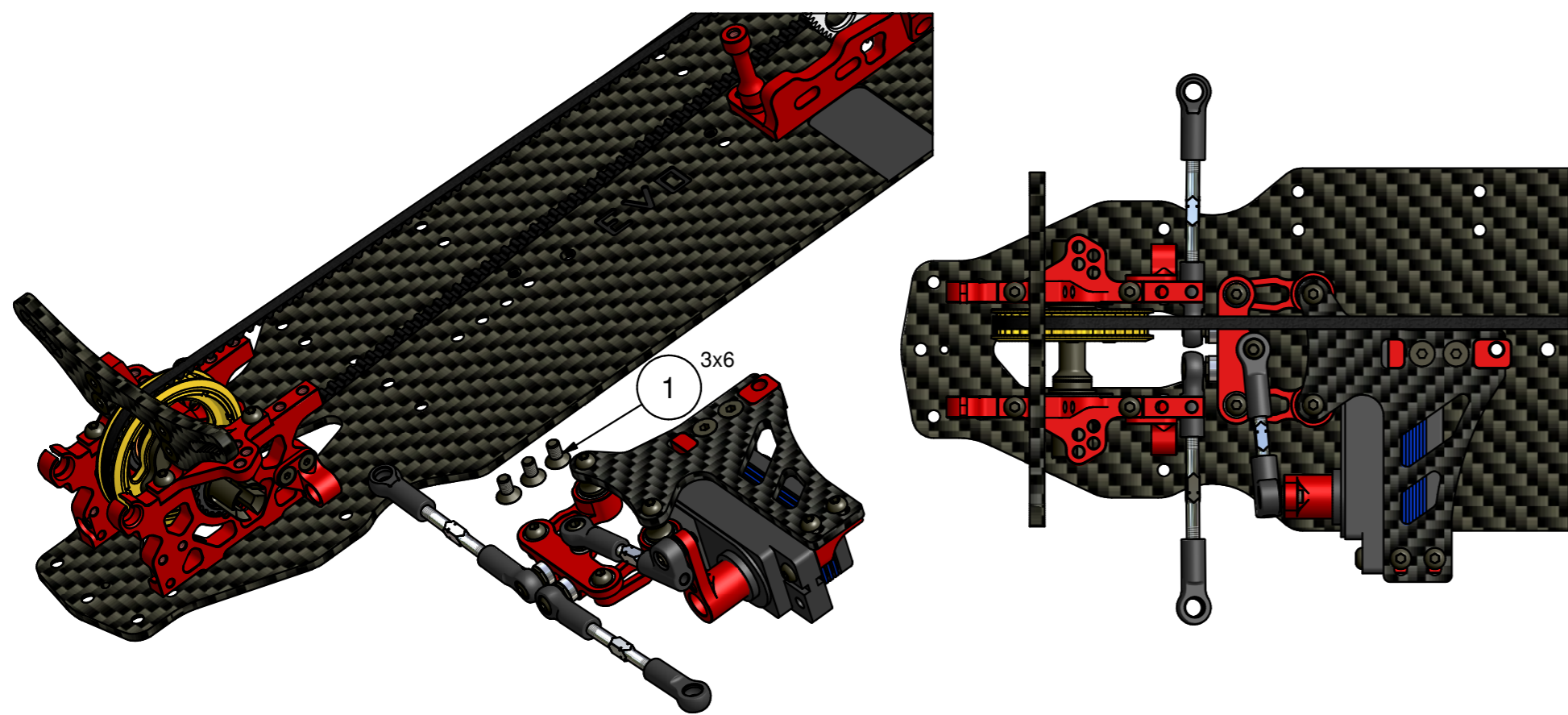


Parts List		
Rif.	n°	Code
1	1	Cap22505-V2
2	1	Cap20029-8,5
3	2	Cap22015
4	2	Cap22101
5	1	Cap22021
6	1	Cap22100
7	2	Cap20014
8	4	Cap16019SR
9	2	Cap17030
10	2	Cap23032
11	4	Cap2107A

Parts List			Parts List		
Rif.	n°	Code	Rif.	n°	Code
1	1	Cap29188-V2	7	2	Cap23006
2	1	Cap29187	8	1	Cap21060P
3	2	Cap17029	9	1	Cap22100
4	1	Cap29188	10	1	Cap23030
5	6	Cap17030	11	1	Cap2107A
6	3	Cap17023	12	1	Cap2107D

Made in Italy

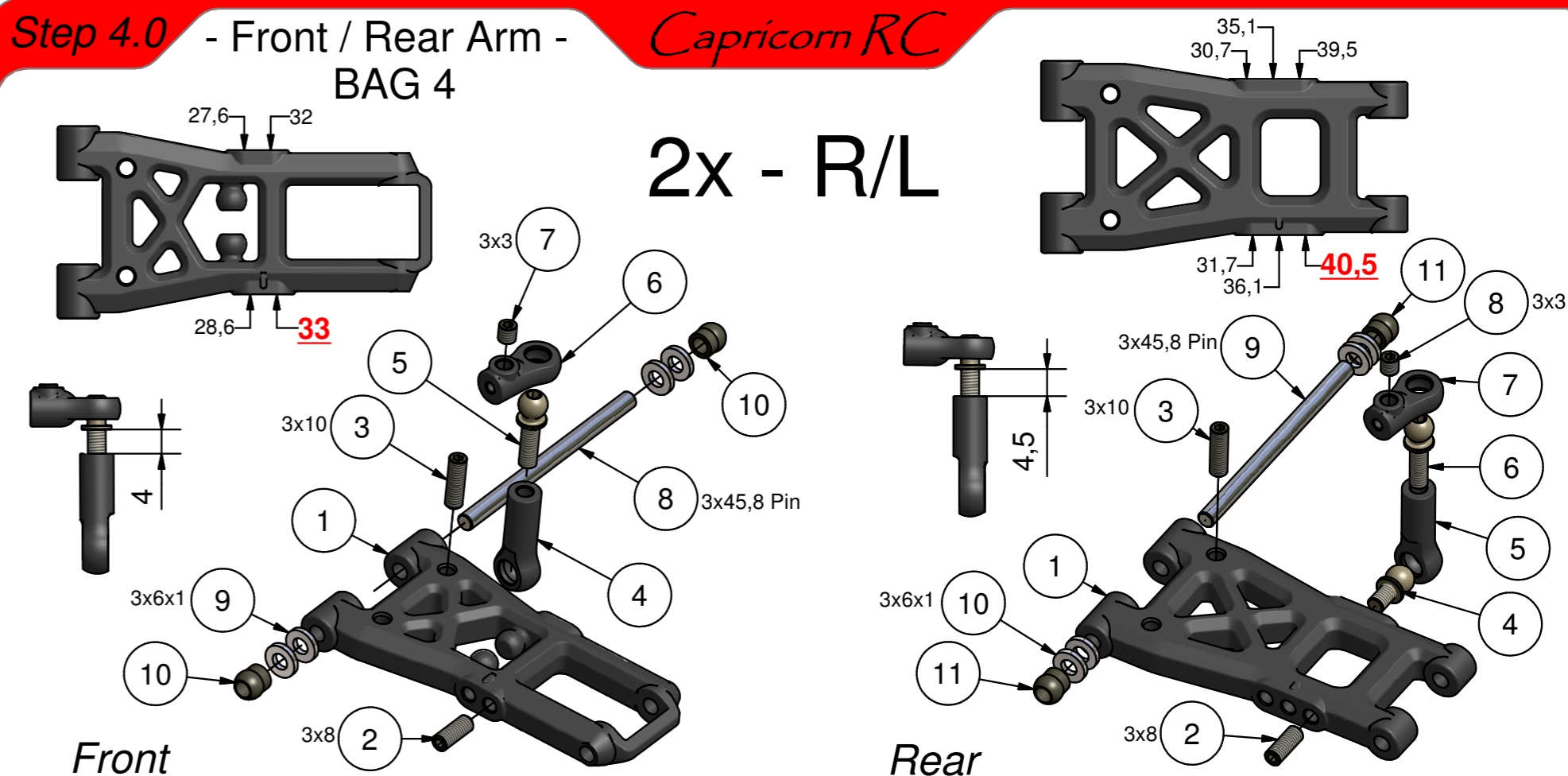
Step 3.6 - Steering Rack - *Capricorn RC*
BAG 3



Parts List		
Rif.	n°	Code
1	3	Cap17029

Made in Italy

Step 4.0 - Front / Rear Arm - *Capricorn RC*
BAG 4



Front

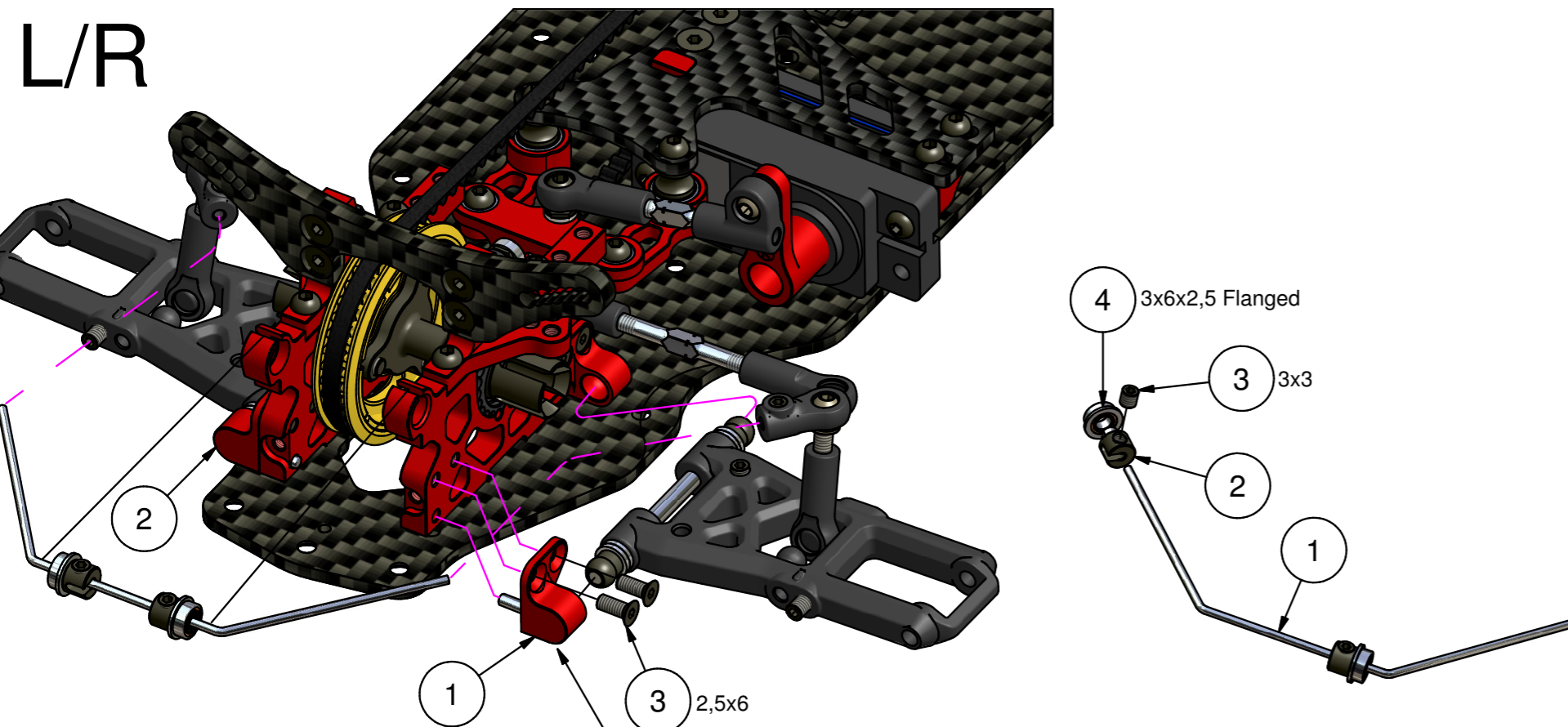
Parts List			Parts List		
Rif.	n°	Code	Rif.	n°	Code
1	1	Cap30106	6	1	Cap2107C
2	1	Cap17008	7	1	Cap17006
3	1	Cap18022	8	1	Cap23014
4	1	Cap2107A	9	4	Cap22021
5	1	Cap22102	10	2	Cap23008

Rear

Parts List			Parts List		
Rif.	n°	Code	Rif.	n°	Code
1	1	Cap30107	7	1	Cap2107C
2	1	Cap17008	8	1	Cap17006
3	1	Cap18022	9	1	Cap23014
4	1	Cap22100	10	4	Cap22021
5	1	Cap2107A	11	2	Cap23008
6	1	Cap22102			

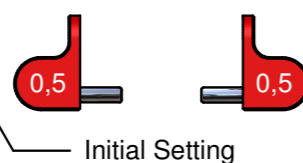
Made in Italy

Step 4.1 - Front Arm & Anti Roll Bar - *Capricorn RC*
BAG 4



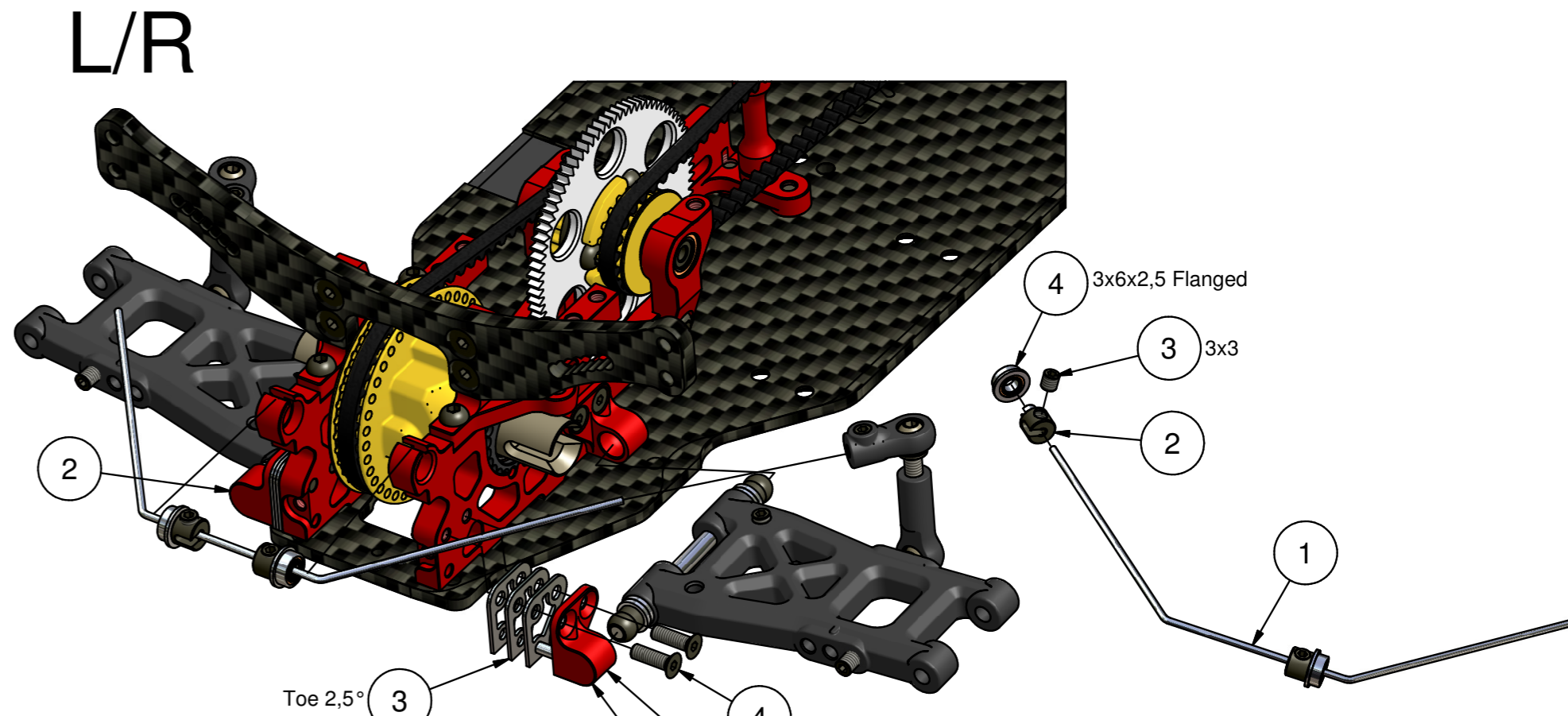
Parts List		
Rif.	n°	Code
1	1	Cap29194-0,5
2	1	Cap29195-0,5
3	4	Cap17035

Parts List		
Rif.	n°	Code
1	1	Cap27012
2	2	Cap20006-V2
3	2	Cap17006
4	2	Cap 2013SR



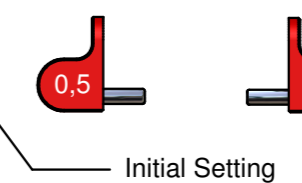
Made in Italy

Step 4.2 - Rear Arm & Anti Roll Bar - *Capricorn RC*
BAG 4



Parts List		
Rif.	n°	Code
1	1	Cap29194-0,5
2	1	Cap29195-0,5
3	6	Cap29196-0,6
4	4	Cap17022

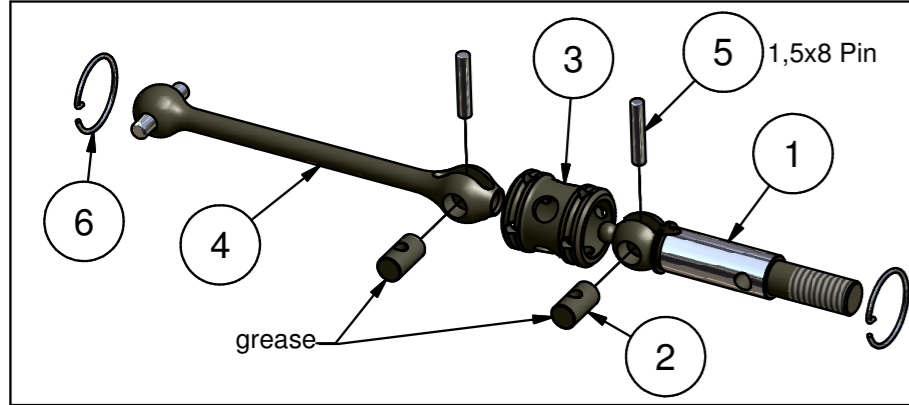
Parts List		
Rif.	n°	Code
1	1	Cap27013
2	2	Cap20006-V2
3	2	Cap17006
4	2	Cap 2013SR



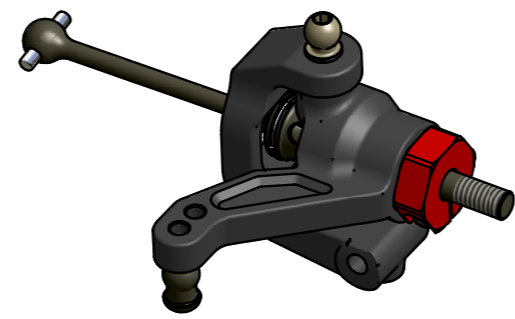
Made in Italy

Step 5.0 - Front D.J CVD Block - *Capricorn RC*
BAG 5

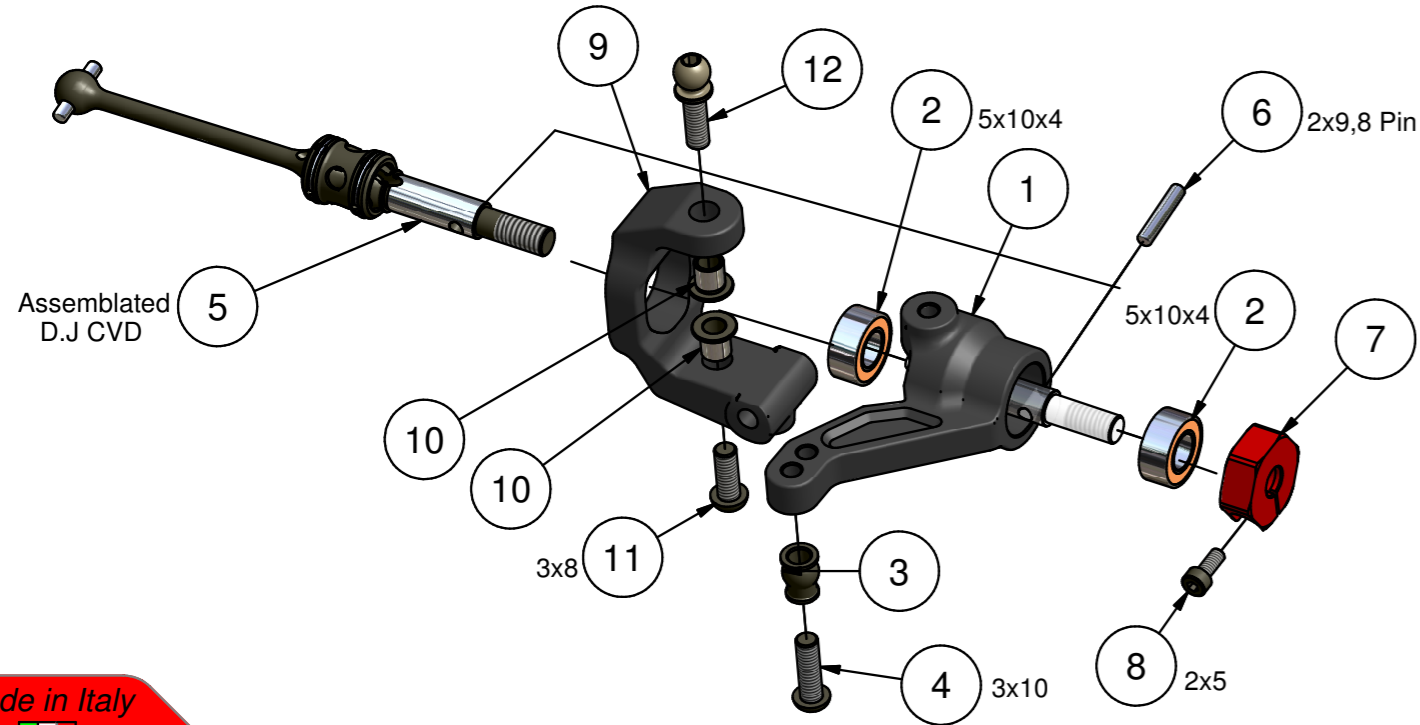
Right block view



Parts List		
Rif.	n°	Code
1	1	Cap23101
2	2	Cap23103
3	1	Cap23104
4	1	Cap23102
5	2	Cap26105
6	2	Cap27001



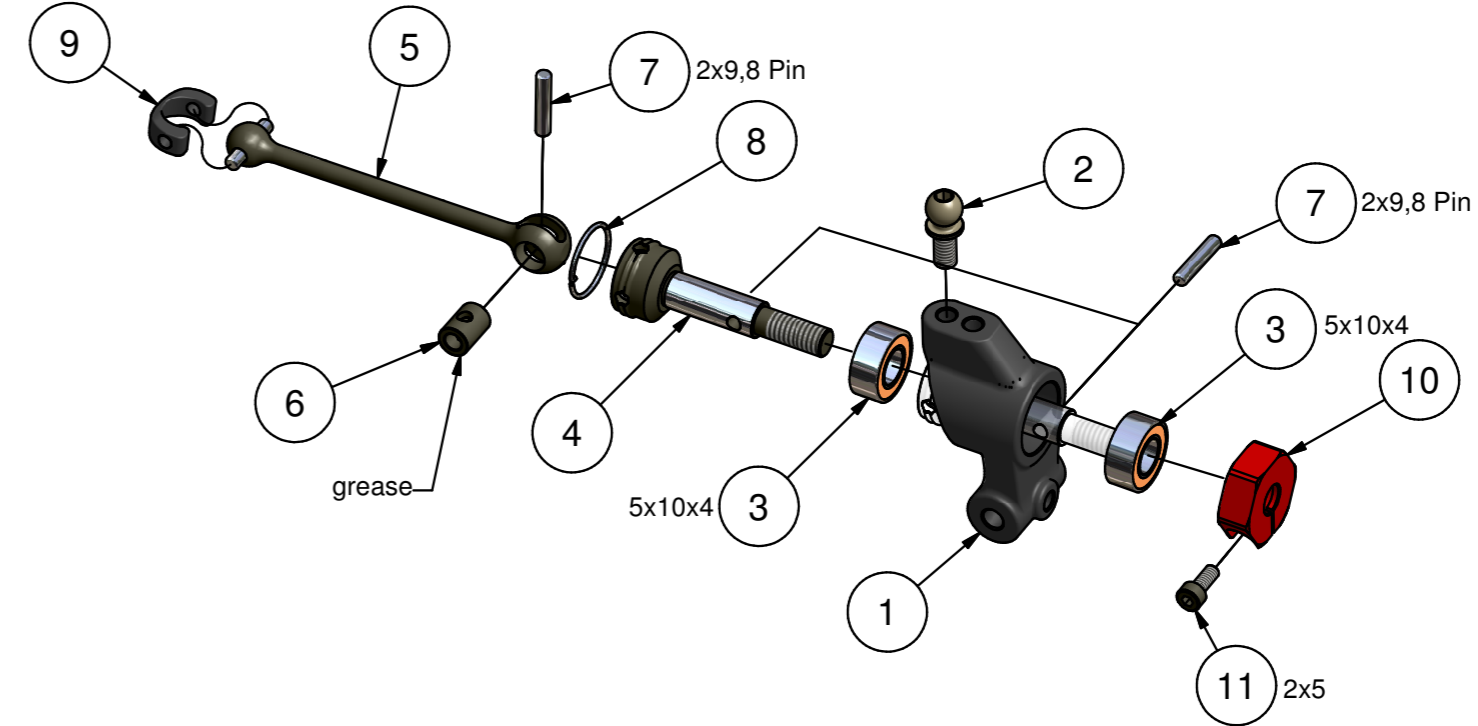
2x - R/L



Parts List		
Rif.	n°	Code
1	1	Cap21091
2	2	Cap 415SR
3	1	Cap23010
4	1	Cap17023
5	1	Cap29009F
6	2	Cap17015
7	1	Cap22005
8	1	Cap18023
9	1	Cap21080
10	2	Cap23007
11	1	Cap17032
12	1	Cap22102

Made in Italy

Step 5.1 - Rear CVD Block- *Capricorn RC*
BAG 5



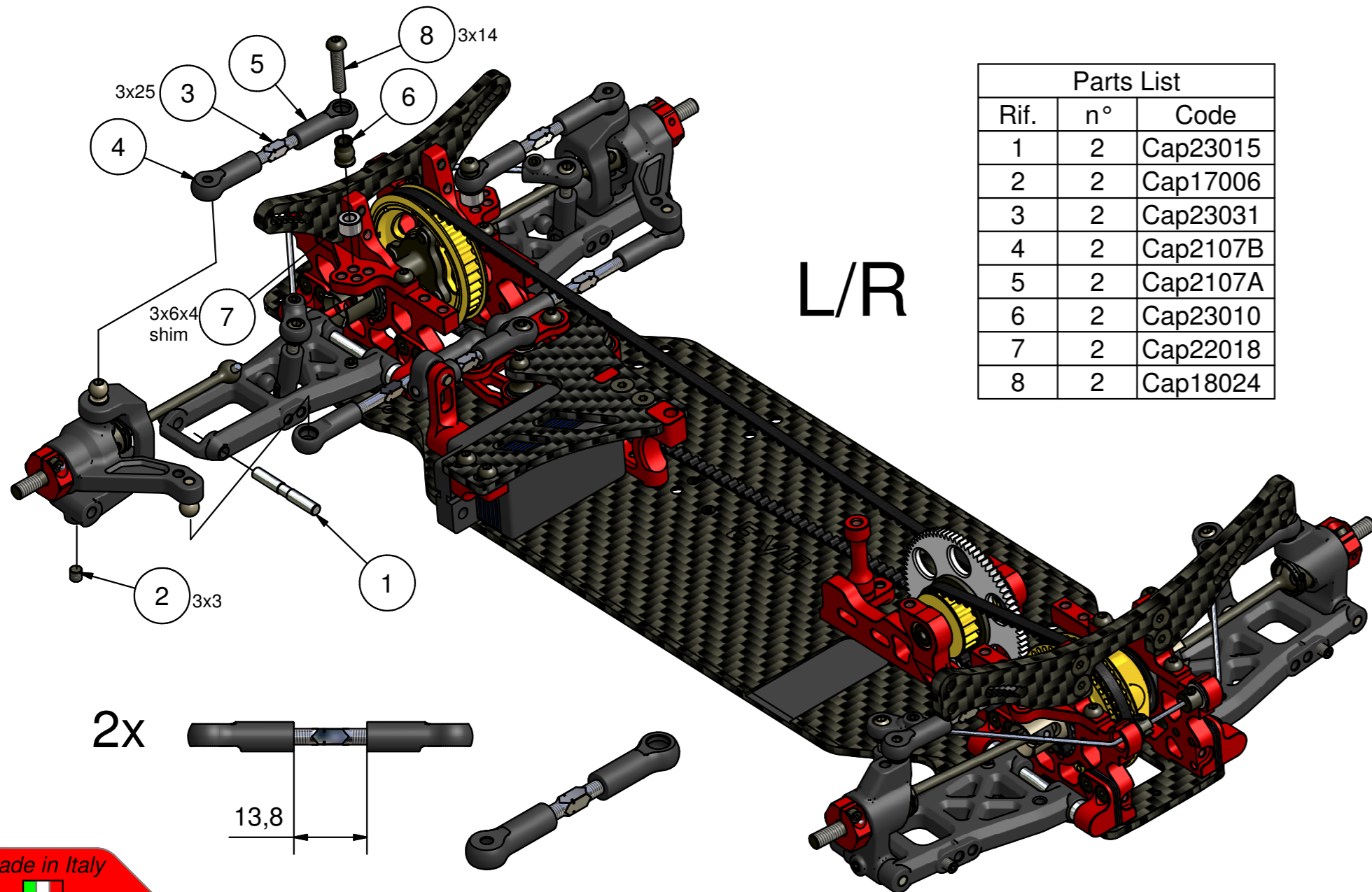
Parts List		
Rif.	n°	Code
1	1	Cap21090
2	1	Cap22101
3	2	Cap 415SR
4	1	Cap23002
5	1	Cap23003
6	1	Cap23005
7	3	Cap17015
8	1	Cap27001
9	1	Cap21030
10	1	Cap22005
11	1	Cap18023

2x

Made in Italy

Step 5.2 - Front Suspension - *Capricorn RC*
BAG 5

L/R

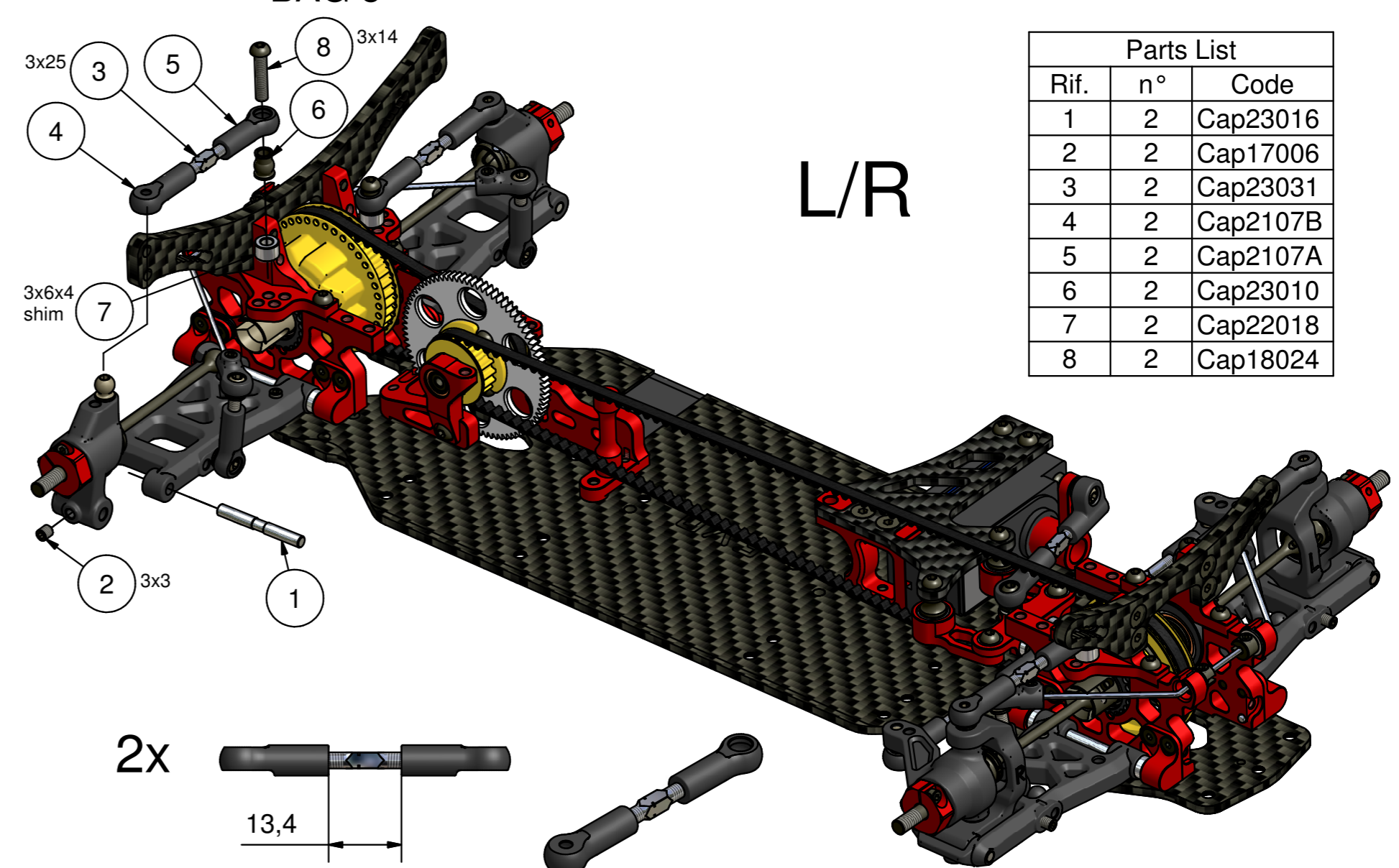


Parts List		
Rif.	n°	Code
1	2	Cap23015
2	2	Cap17006
3	2	Cap23031
4	2	Cap2107B
5	2	Cap2107A
6	2	Cap23010
7	2	Cap22018
8	2	Cap18024

Made in Italy

Step 5.3 - Rear Suspension - *Capricorn RC*
BAG 5

L/R

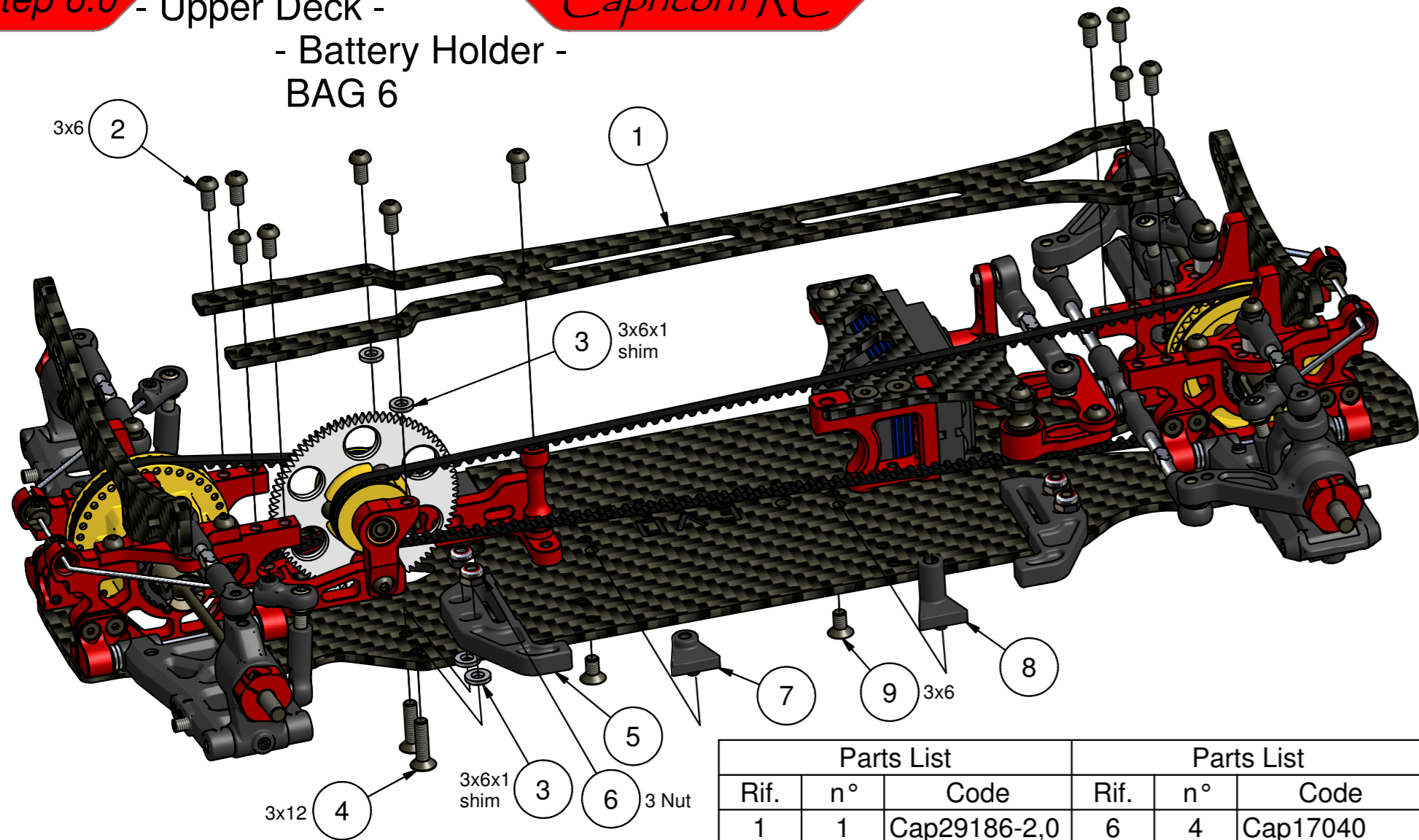


Parts List		
Rif.	n°	Code
1	2	Cap23016
2	2	Cap17006
3	2	Cap23031
4	2	Cap2107B
5	2	Cap2107A
6	2	Cap23010
7	2	Cap22018
8	2	Cap18024

Made in Italy

Step 6.0 - Upper Deck - *Capricorn RC*

- Battery Holder -
BAG 6

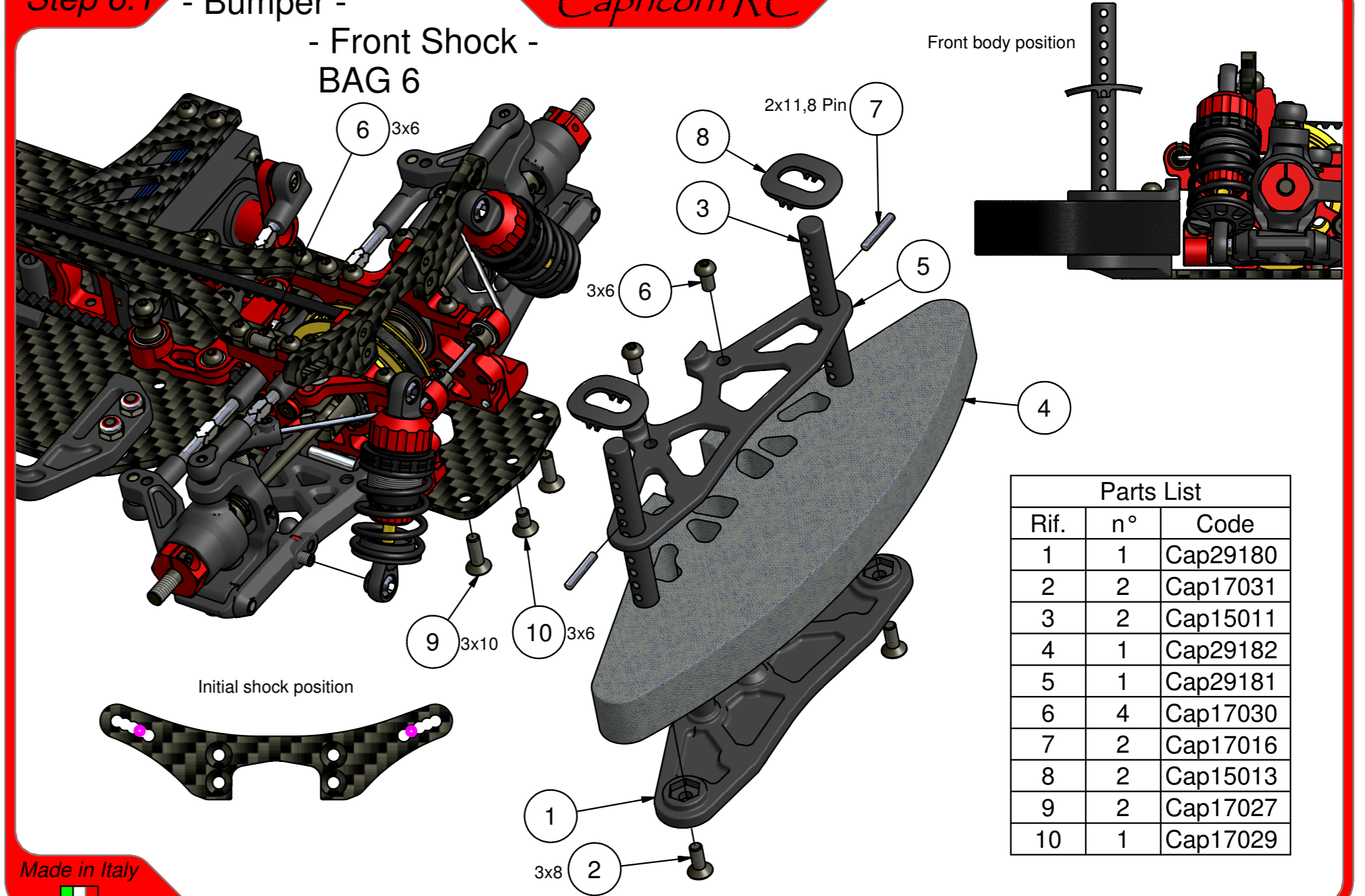


Parts List			Parts List		
Rif.	n°	Code	Rif.	n°	Code
1	1	Cap29186-2,0	6	4	Cap17040
2	11	Cap17030	7	1	Cap2101A
3	6	Cap22021	8	1	Cap2101A
4	4	Cap17024	9	2	Cap17029
5	2	Cap28006-P			

Made in Italy

Step 6.1 - Bumper - *Capricorn RC*

- Front Shock -
BAG 6

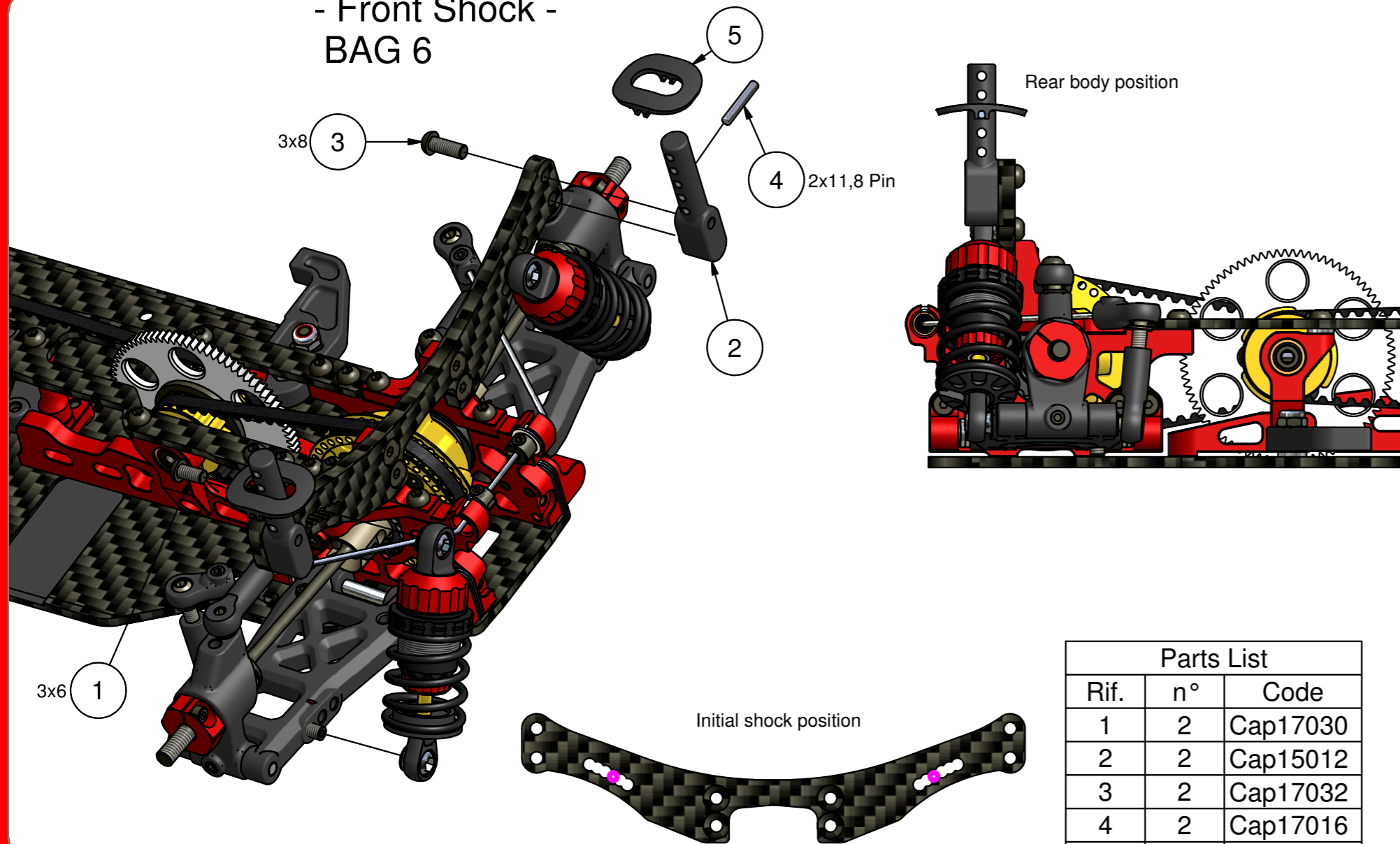


Parts List		
Rif.	n°	Code
1	1	Cap29180
2	2	Cap17031
3	2	Cap15011
4	1	Cap29182
5	1	Cap29181
6	4	Cap17030
7	2	Cap17016
8	2	Cap15013
9	2	Cap17027
10	1	Cap17029

Made in Italy

Step 6.2 - Bumper - *Capricorn RC*

- Front Shock -
BAG 6

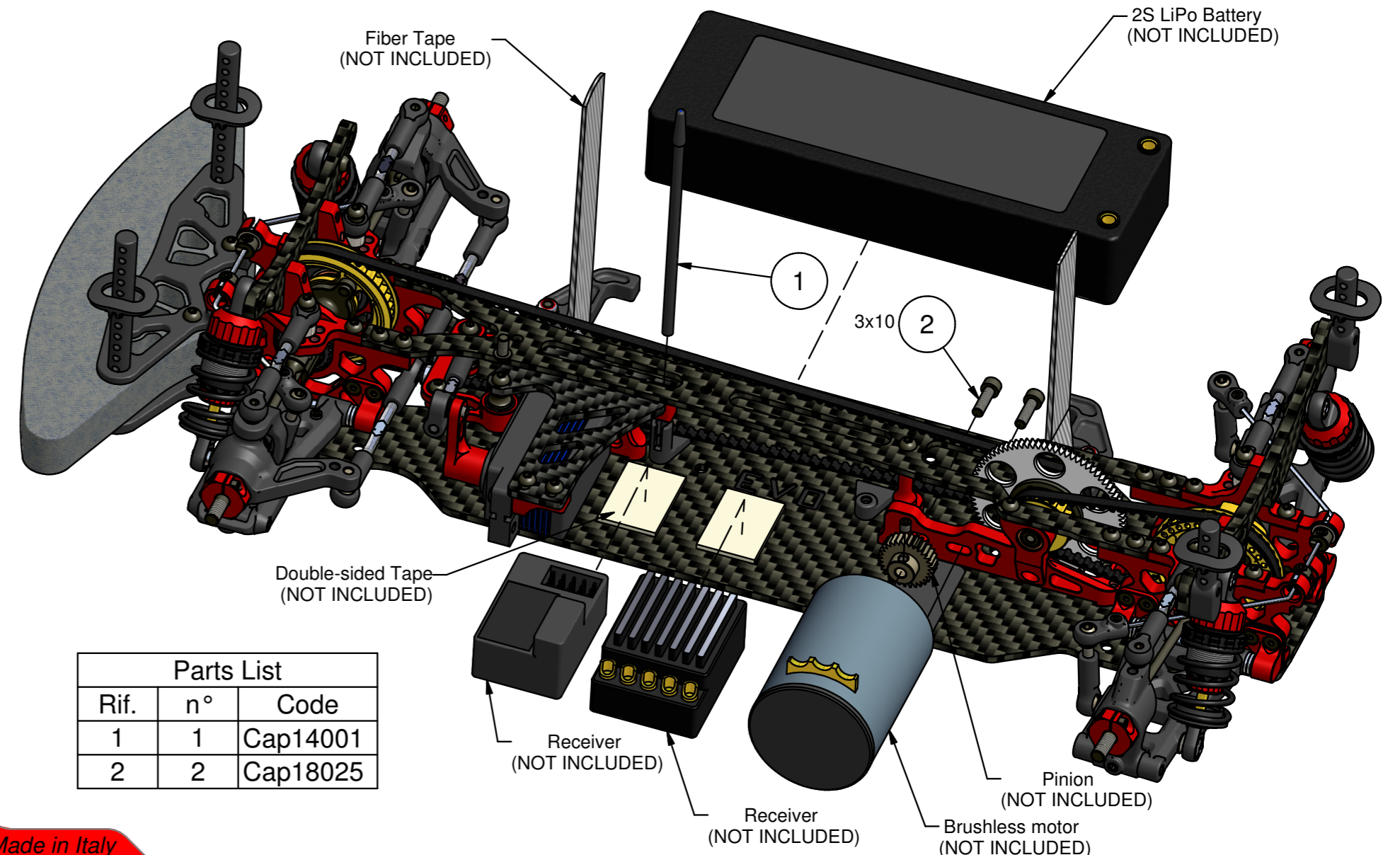


Parts List		
Rif.	n°	Code
1	2	Cap17030
2	2	Cap15012
3	2	Cap17032
4	2	Cap17016
5	2	Cap15013

Made in Italy

Step 6.3 - Electronics - *Capricorn RC*

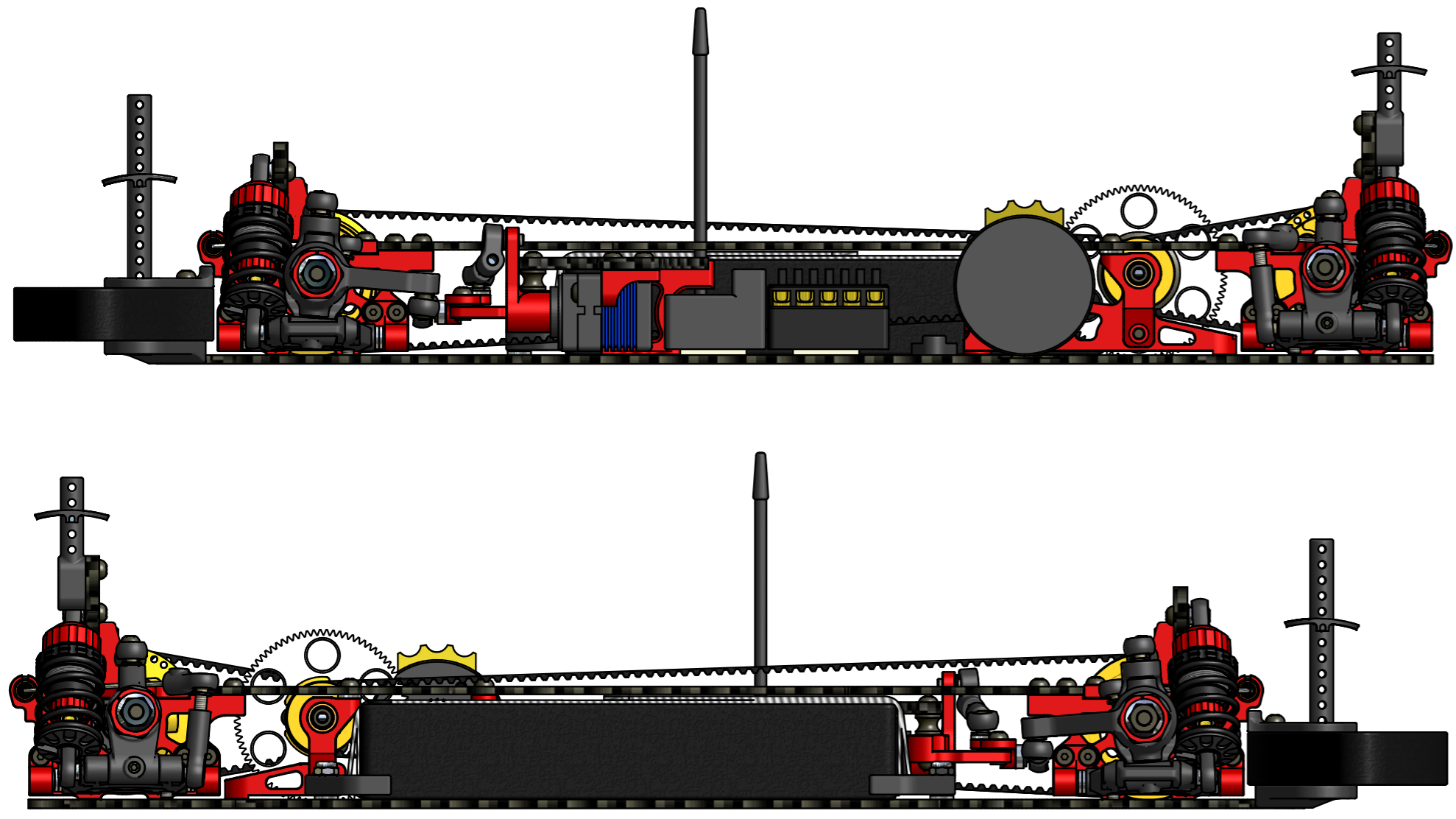
- Electronics -
BAG 6



Parts List		
Rif.	n°	Code
1	1	Cap14001
2	2	Cap18025

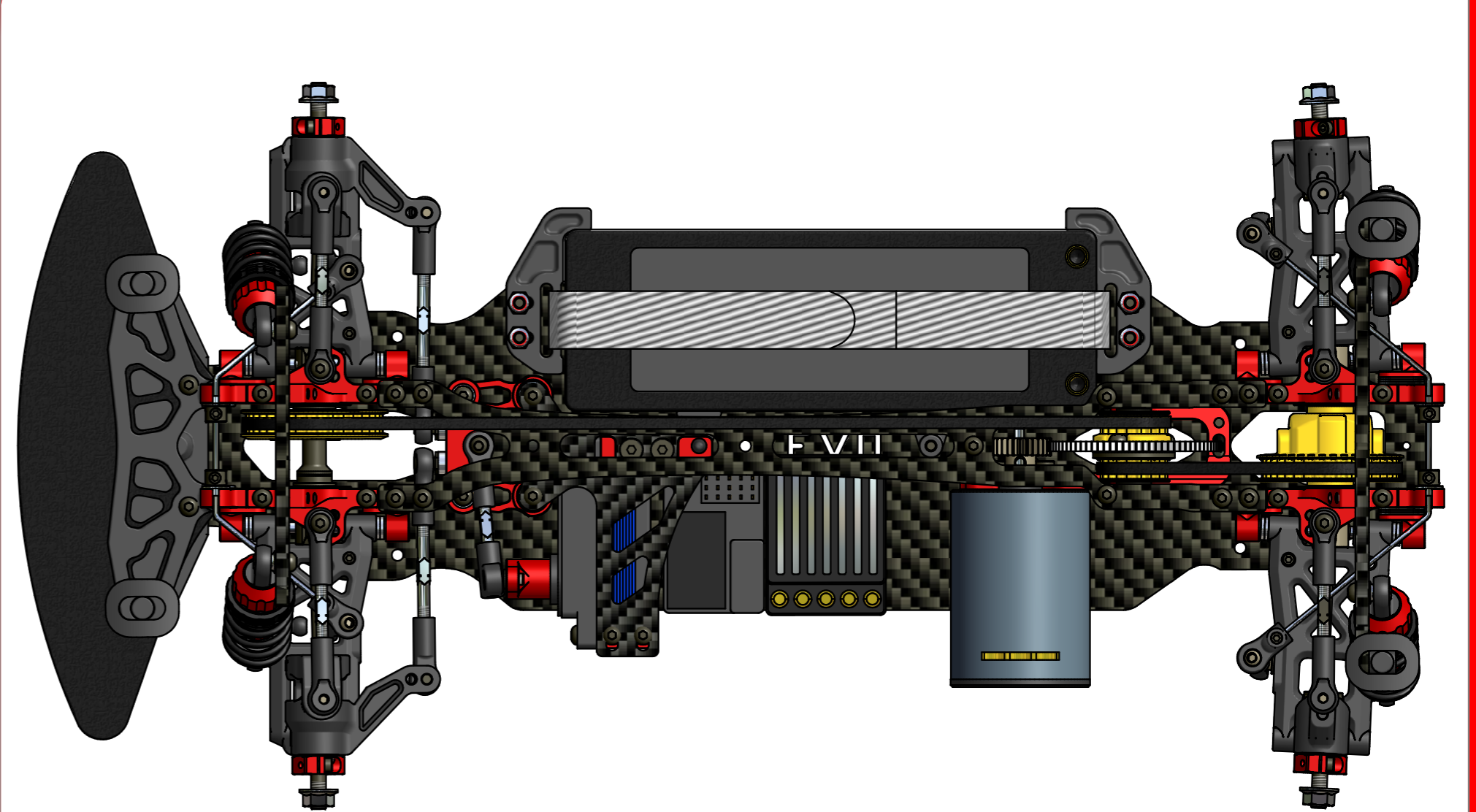
Made in Italy

- Final Assembly View - *Capricorn RC*



Made in Italy

- Final Assembly View - *Capricorn RC*



Made in Italy

- TOE - WIDE Set Up - *Capricorn RC*

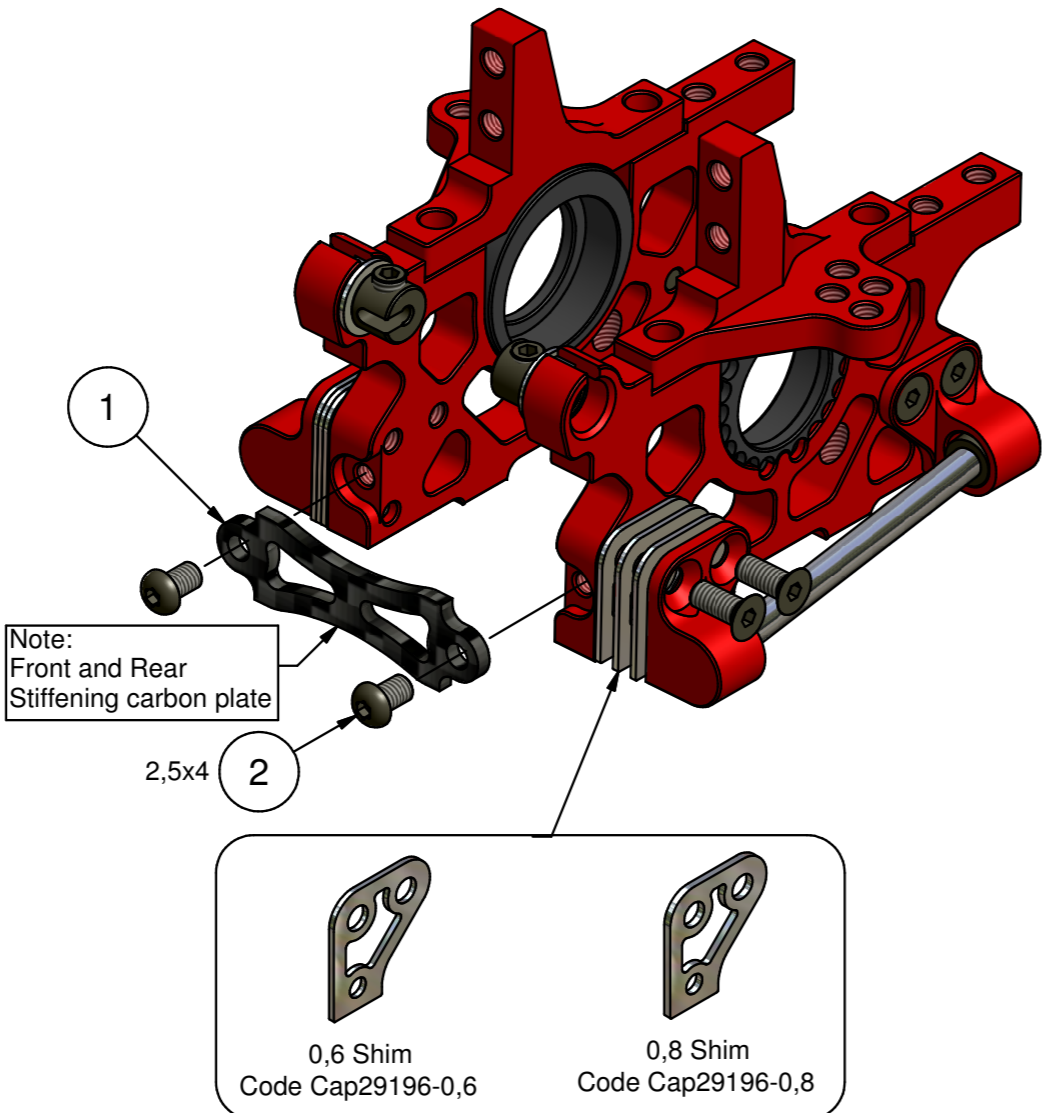
TOE table

Shims Composition			
TOE REF.	0,6 SHIM	0,8 SHIM	TOE Angle
Low	0	0	0°
∇	1	0	0,75°
∇	0	1	1,1°
∇	2	0	1,6°
∇	1	1	1,9°
∇	0	2	2,3°
∇	3	0	2,5°
∇	2	1	2,75°
∇	1	2	3,0°
∇	0	3	3,25°
High	3	1	3,5°

Wide Table

STD Rear Wide	0	0	185,0
STD Front Wide	0	0	185,5

Parts List		
Rif.	n°	Code
1	2	Cap29200
2	4	Cap18019



Made in Italy

- Gear RATIO - *Capricorn RC*

Pul.Ratio 2.000	SPUR GEAR																						
	94	95	96	97	98	99	100	101	102	103	104	105	106	107	108	109	110	111	112	113	114	115	116
23	8.174	8.261	8.348	8.435	8.522	8.609	8.696	8.783	8.870	8.957	9.043	9.130	9.217	9.304	9.391	9.478	9.565	9.652	9.739	9.826	9.913	10.000	10.087
24	7.833	7.917	8.000	8.083	8.167	8.250	8.333	8.417	8.500	8.583	8.667	8.750	8.833	8.917	9.000	9.083	9.167	9.250	9.333	9.417	9.500	9.583	9.667
25	7.520	7.600	7.680	7.760	7.840	7.920	8.000	8.080	8.160	8.240	8.320	8.400	8.480	8.560	8.640	8.720	8.800	8.880	8.960	9.040	9.120	9.200	9.280
26	7.231	7.308	7.385	7.462	7.538	7.615	7.692	7.769	7.846	7.923	8.000	8.077	8.154	8.231	8.308	8.385	8.462	8.538	8.615	8.692	8.769	8.846	8.923
27	6.963	7.037	7.111	7.185	7.259	7.333	7.407	7.481	7.555	7.630	7.704	7.778	7.852	7.926	8.000	8.074	8.148	8.222	8.296	8.370	8.444	8.519	8.593
28	6.714	6.786	6.857	6.929	7.000	7.071	7.143	7.214	7.286	7.357	7.429	7.500	7.571	7.643	7.714	7.786	7.857	7.929	8.000	8.071	8.143	8.214	8.286
29	6.483	6.552	6.621	6.690	6.759	6.828	6.897	6.966	7.034	7.103	7.172	7.241	7.310	7.379	7.448	7.517	7.586	7.655	7.724	7.793	7.862	7.931	8.000
30	6.267	6.333	6.400	6.467	6.533	6.600	6.667	6.733	6.800	6.867	6.933	7.000	7.067	7.133	7.200	7.267	7.333	7.400	7.467	7.533	7.600	7.667	7.733
31	6.065	6.129	6.194	6.258	6.323	6.387	6.452	6.516	6.581	6.645	6.710	6.774	6.839	6.903	6.968	7.032	7.097	7.161	7.226	7.290	7.355	7.419	7.484
32	5.875	5.938	6.000	6.063	6.125	6.188	6.250	6.313	6.375	6.438	6.500	6.563	6.625	6.688	6.750	6.813	6.875	6.938	7.000	7.063	7.125	7.188	7.250
33	5.697	5.758	5.818	5.879	5.939	6.000	6.061	6.121	6.182	6.242	6.303	6.364	6.424	6.485	6.545	6.606	6.667	6.727	6.788	6.848	6.909	6.970	7.030
34	5.529	5.588	5.647	5.706	5.765	5.824	5.882	5.941	6.000	6.059	6.118	6.176	6.235	6.294	6.353	6.412	6.471	6.529	6.588	6.647	6.706	6.765	6.824
35	5.371	5.429	5.486	5.543	5.600	5.657	5.714	5.771	5.829	5.886	5.943	6.000	6.057	6.114	6.171	6.229	6.286	6.343	6.400	6.457	6.514	6.571	6.629
36	5.222	5.278	5.333	5.389	5.444	5.500	5.556	5.611	5.667	5.722	5.778	5.833	5.889	5.944	6.000	6.056	6.111	6.167	6.222	6.278	6.333	6.389	6.444
37	5.081	5.135	5.189	5.243	5.297	5.351	5.405	5.459	5.514	5.568	5.622	5.676	5.730	5.784	5.838	5.892	5.946	6.000	6.054	6.108	6.162	6.216	6.270
38	4.947	5.000	5.053	5.105	5.158	5.211	5.263	5.316	5.368	5.421	5.474	5.526	5.579	5.632	5.684	5.737	5.789	5.842	5.895	5.947	6.000	6.053	6.105
39	4.821	4.872	4.923	4.974	5.026	5.077	5.128	5.179	5.231	5.282	5.333	5.385	5.436	5.487	5.538	5.590	5.641	5.692	5.744	5.795	5.846	5.897	5.949
40	4.700	4.750	4.800	4.850	4.900	4.950	5.000	5.050	5.100	5.150	5.200	5.250	5.300	5.350	5.400	5.450	5.500	5.550	5.600	5.650	5.700	5.750	5.800
41	4.585	4.634	4.683	4.732	4.780	4.829	4.878	4.927	4.976	5.024	5.073	5.122	5.171	5.220	5.268	5.317	5.366	5.415	5.463	5.512	5.561	5.610	5.658
42	4.476	4.524	4.571	4.619	4.667	4.714	4.762	4.810	4.857	4.905	4.952	5.000	5.048	5.095	5.143	5.190	5.238	5.286	5.333	5.381	5.429	5.476	5.524
43	4.372	4.419	4.465	4.512	4.558	4.605	4.651	4.698	4.744	4.791	4.837	4.884	4.930	4.977	5.023	5.070	5.116	5.163	5.209	5.258	5.302	5.349	5.395
44	4.273	4.318	4.364	4.409	4.455	4.500	4.545	4.591	4.636	4.682	4.727	4.773	4.818	4.864	4.909	4.955	5.000	5.045	5.091	5.138	5.182	5.227	5.273
45	4.178	4.222	4.267	4.311	4.356	4.400	4.444	4.489	4.533	4.578	4.622	4.667	4.711	4.756	4.800	4.844	4.889	4.933	4.978	5.022	5.067	5.111	5.156
46	4.087	4.130	4.174	4.217	4.261	4.304	4.348	4.391	4.435	4.478	4.522	4.565	4.609	4.652	4.696	4.739	4.783	4.826	4.870	4.913	4.957	5.000	5.043
47	4.000	4.043	4.085	4.128	4.170	4.213	4.255	4.298	4.340	4.383	4.426	4.468	4.511	4.553	4.596	4.638	4.681	4.723	4.766	4.809	4.851	4.894	4.936
48	3.971	3.958	4.000	4.042	4.083	4.125	4.167	4.208	4.250	4.292	4.333	4.375	4.417	4.458	4.500	4.542	4.583	4.625	4.667	4.708	4.750	4.792	4.833
49	3.837	3.878	3.918	3.959	4.000	4.041	4.082	4.122	4.163	4.204	4.245	4.286	4.327	4.367	4.408	4.449	4.490	4.531	4.571	4.612	4.653	4.694	4.735
50	3.760	3.800	3.840	3.880	3.920	3.960	4.000	4.040	4.080	4.120	4.160	4.200	4.240	4.280	4.320	4.360	4.400	4.440	4.480	4.520	4.560	4.600	4.640
51	3.686	3.725	3.765	3.804	3.843	3.882	3.922	3.961	4.000	4.039	4.078	4.118	4.157	4.196	4.235	4.275	4.314	4.353	4.392	4.431	4.471	4.510	4.549

Made in Italy

Race

Track

Name

City / Country

Date

Air Temp. Track Temp.

Qualifying Best LAP Final Position Race Length

TRACK CONDITION Carpet Asphalt
 Technical Mixed Fast

TRACTION Low Medium High

FRONT REAR
 GEAR DIFF. GEAR DIFF.
 CST 1.000 CST

SPOOL NUMBER OF GEAR
 2 4 2 4

PINION SPUR GEAR 114

INT. RATIO 2,0 DRIVE RATIO

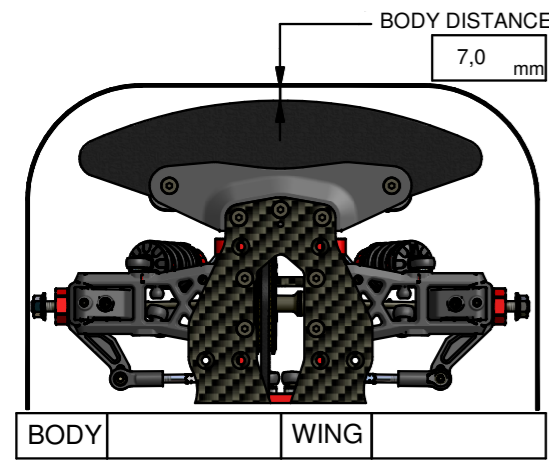
FRONT REAR
 OIL 500 CST HOLE 2 3 4 OIL 500 CST
 SPRING YELLOW SPRING GREEN

TIRES

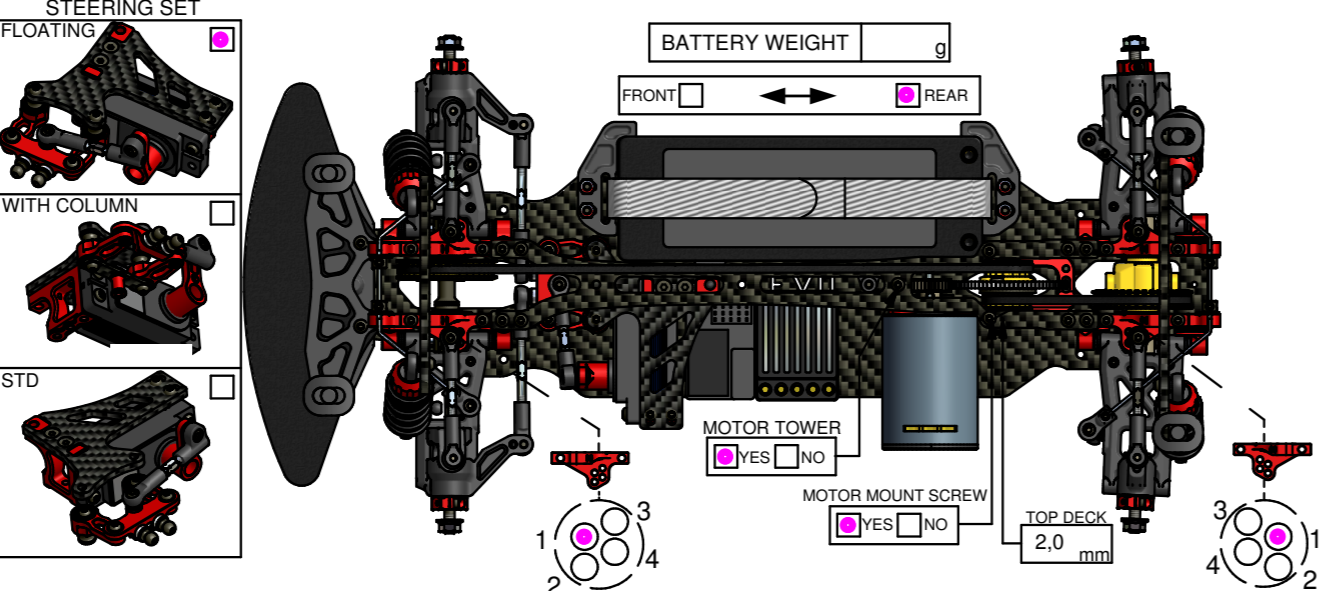
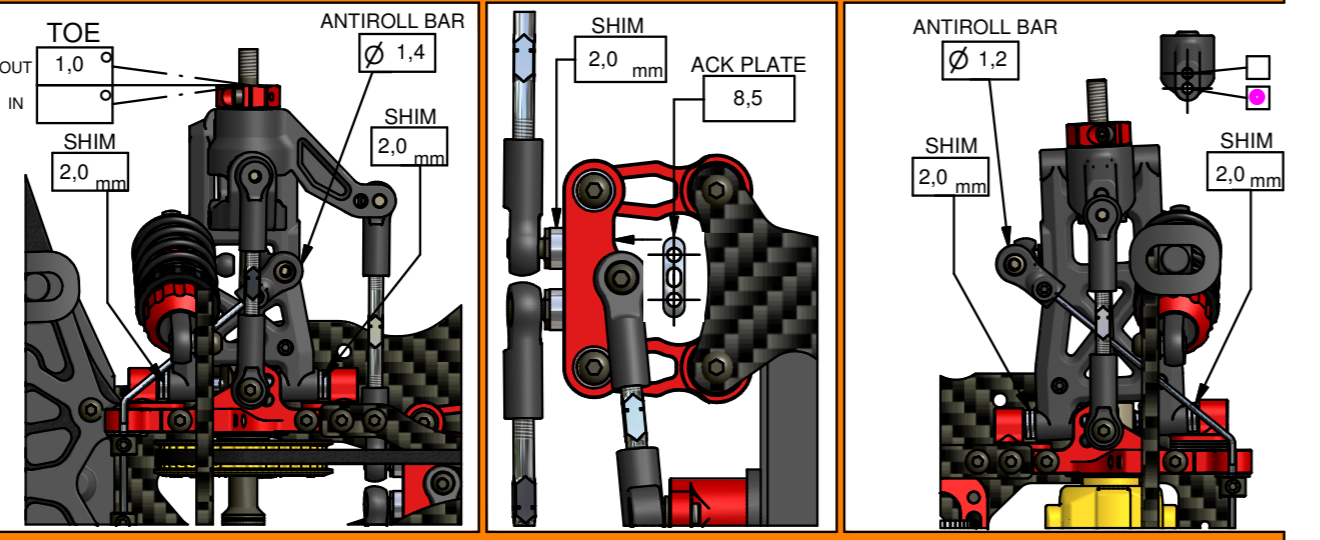
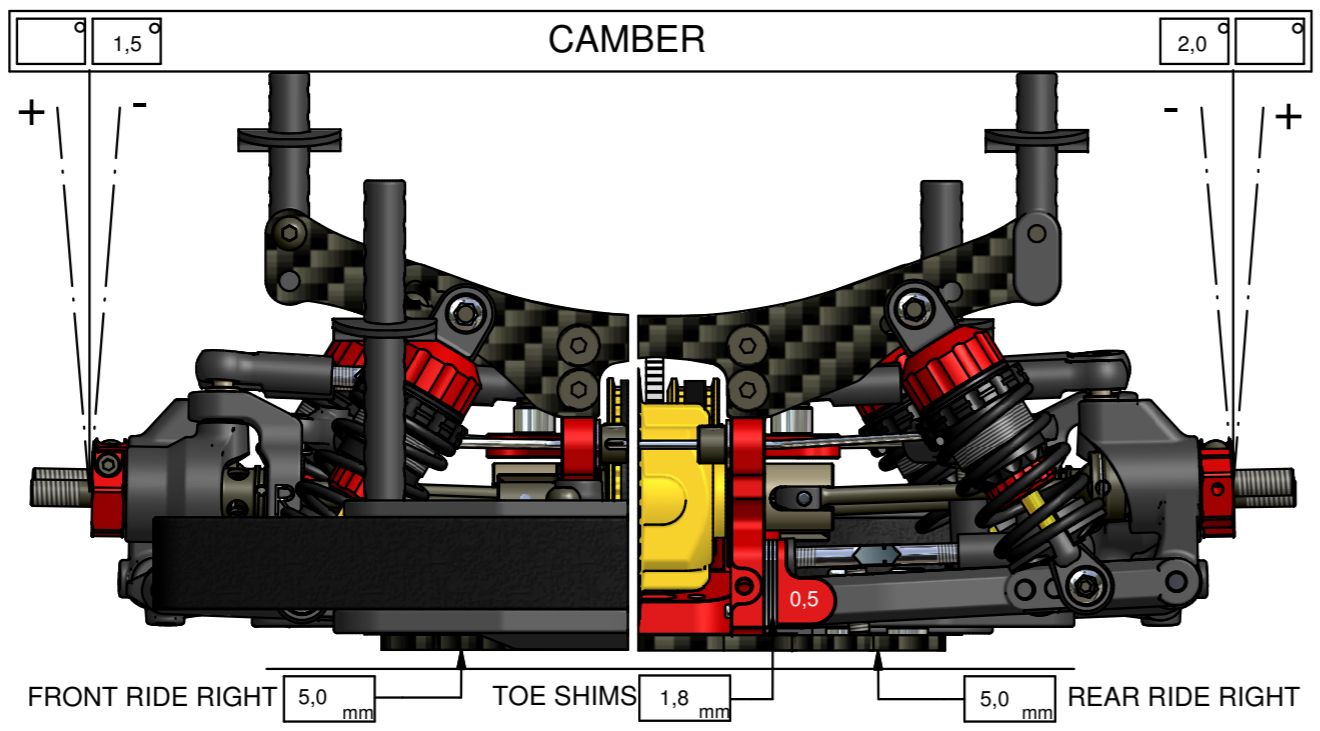
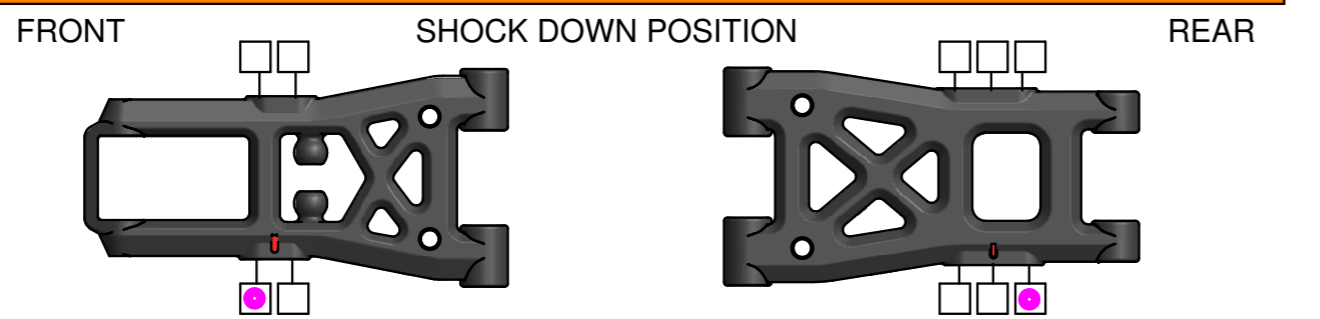
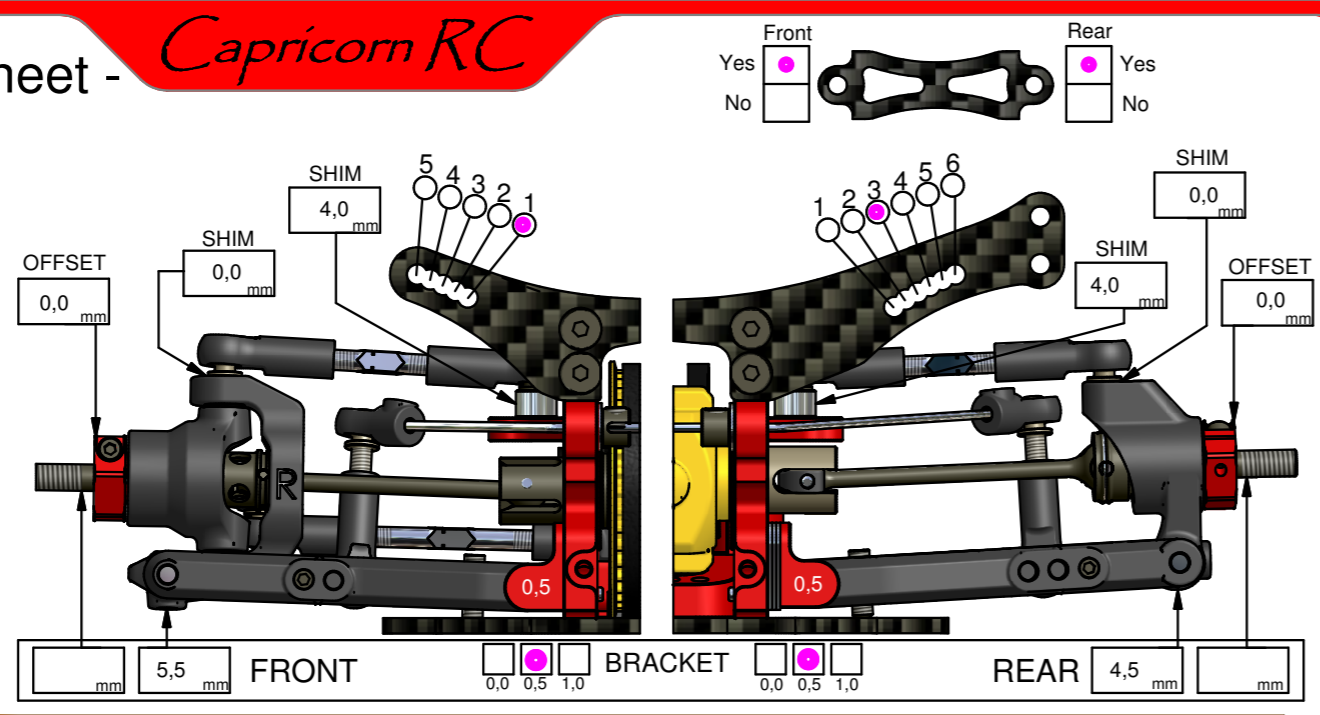
RIM

ADDITIVE

SHASSIS TYPE STD XFlex Aluminum



NOTE



ADDITIONAL NOTES

Front	<input type="checkbox"/>	Yes	<input type="checkbox"/>	Rear	<input type="checkbox"/>	Yes	<input type="checkbox"/>
	<input type="checkbox"/>	No	<input type="checkbox"/>		<input type="checkbox"/>	No	<input type="checkbox"/>

Race

Track

Name

City / Country

Date

Air Temp. Track Temp.

Qualifying Best LAP Final Position Race Length

sec min

TRACK CONDITION Carpet Asphalt

Technical Mixed Fast

TRACTION Low Medium High

FRONT **REAR**

GEAR DIFF. GEAR DIFF.

CST CST

SPOOL NUMBER OF GEAR

2 4 2 4

PINION SPUR GEAR

INT. RATIO 2,0 DRIVE RATIO

FRONT **REAR**

OIL HOLE

CST CST

SPRING SPRING

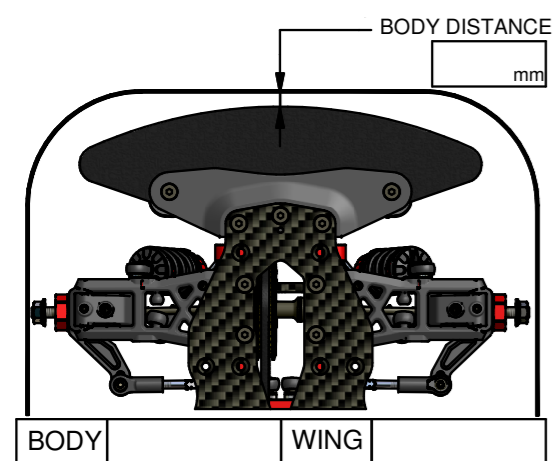
2 3 4

TIRES

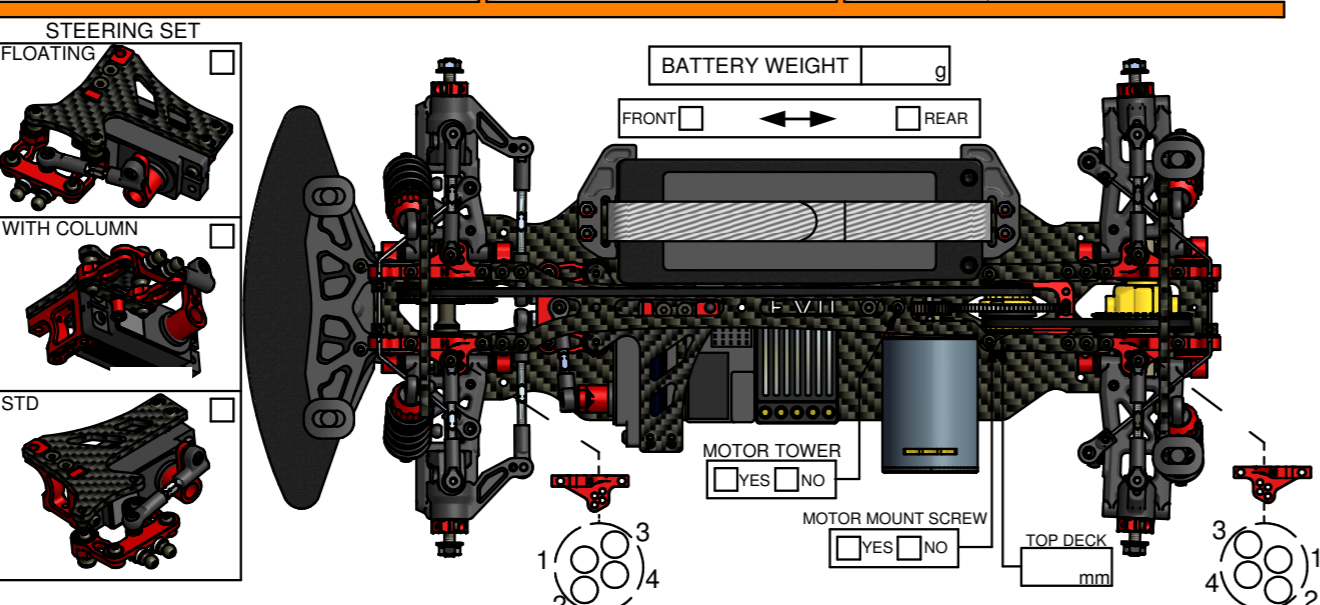
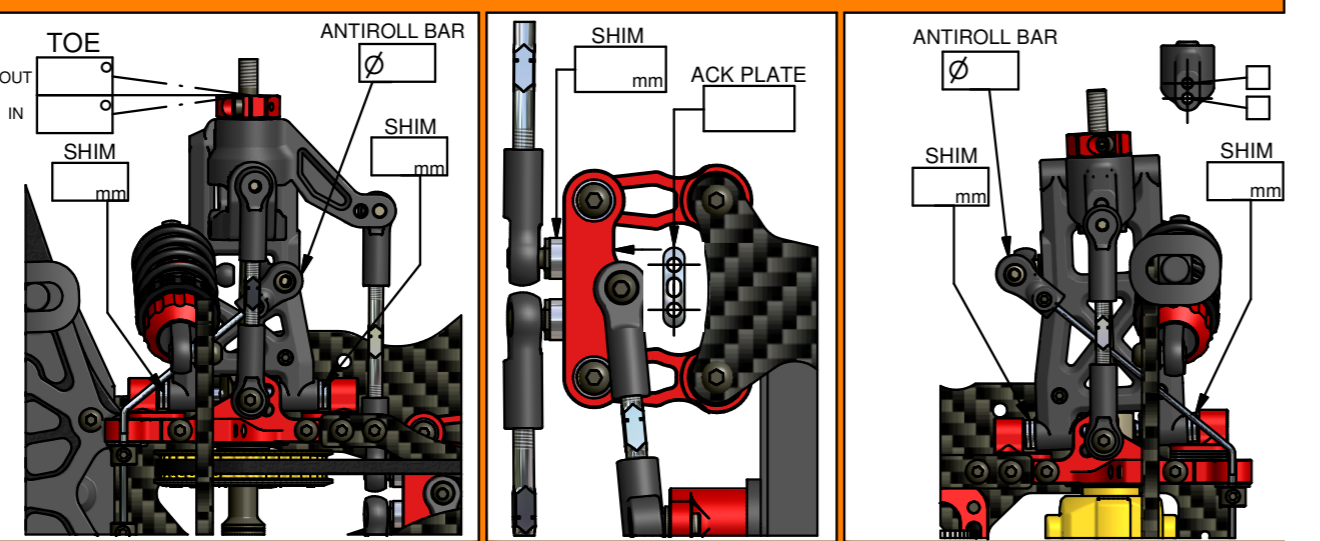
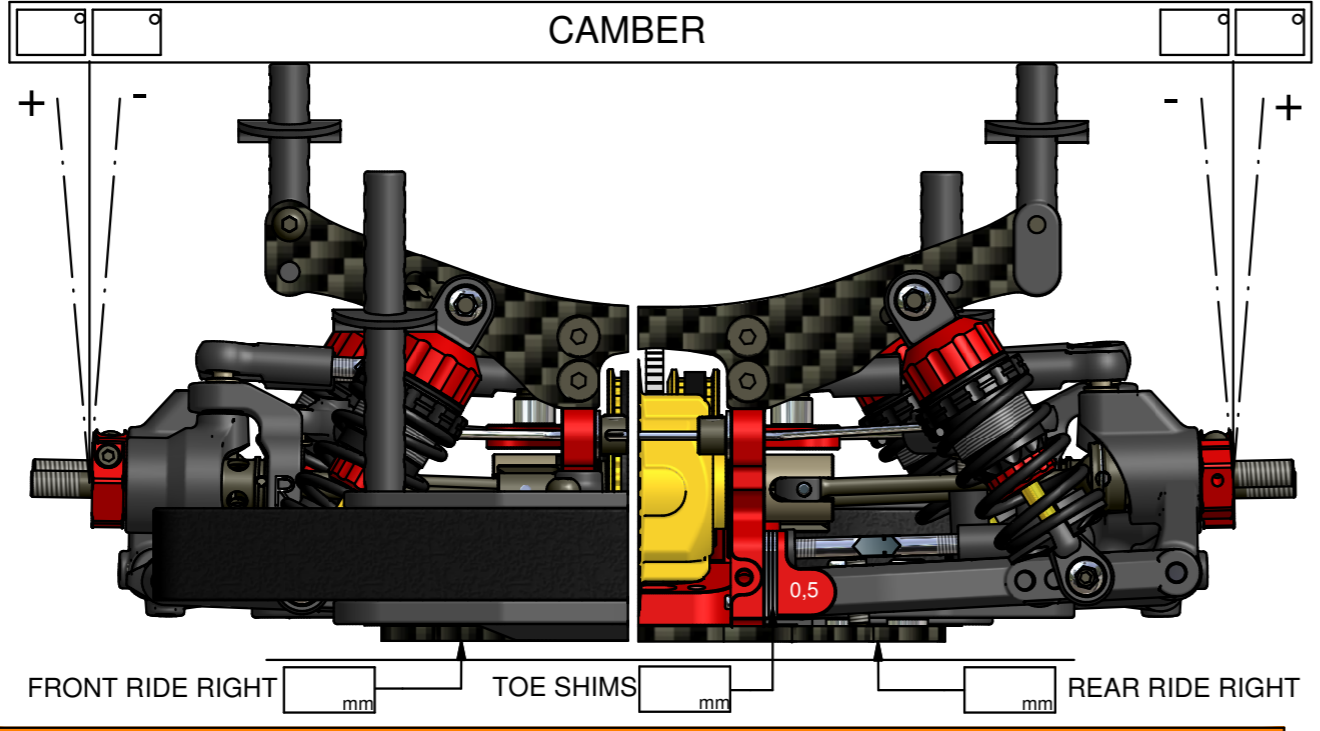
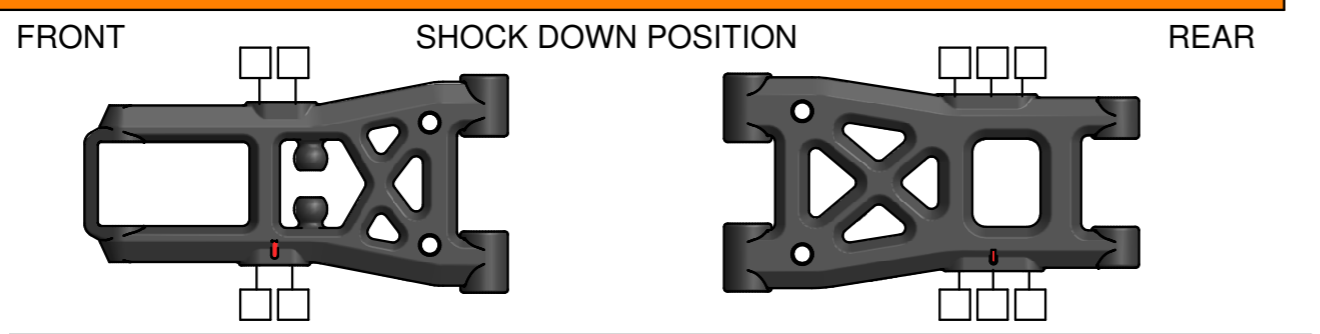
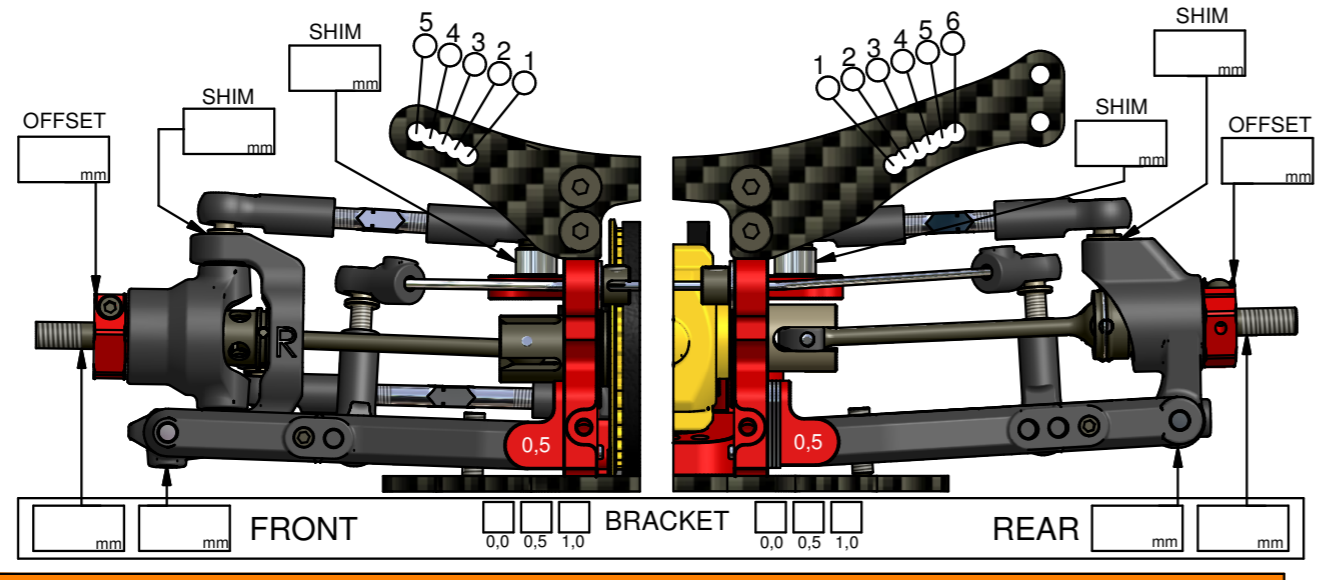
RIM

ADDITIVE

SHASSIS TYPE STD XFlex Aluminum



NOTE



ADDITIONAL NOTES
