

F101 DEFAULT SET-UP SHEET

Capricorn RC

RACE	<input type="text"/>	DATE	<input type="text"/>
TRACK	<input type="text"/>	QUALIFYING POSITION	<input type="text"/>
NAME	<input type="text"/>	BEST LAP	<input type="text"/> /sec
CITY/ COUNTRY	<input type="text"/>	RACE POSITION	<input type="text"/>
CONTACT	<input type="text"/>	RACE LENGTH	<input type="text"/> /min

TRACK SURFACE	<input type="checkbox"/> CARPET	<input checked="" type="checkbox"/> ASPHALT	
TRACK LAYOUT	<input type="checkbox"/> TECHNICAL	<input checked="" type="checkbox"/> MIXED	<input type="checkbox"/> FAST
TRACTION	<input type="checkbox"/> LOW	<input checked="" type="checkbox"/> MEDIUM	<input type="checkbox"/> HIGH

CENTER SHOCK ABSORBER				SIDE SHOCK	
<input type="text"/> BLUE SPRING	<input type="text"/> 8 HOLE	<input type="text"/> 2.000 OIL /CST	<input type="text"/> 30 REBOUND %	<input type="text"/> 15.000 OIL /CST	

FRONT	TIRES	REAR
<input type="text"/>	<input type="text"/>	<input type="text"/>
<input type="text"/>	ADDITIVE	<input type="text"/>
<input type="text"/>	ADD. TIMING	<input type="text"/>

DIFF. SETTING

LOOSE MEDIUM TIGHT

GEARING

30 PINION /T 90 SPUR GEAR /T 3,00 DRIVE RATIO

MOTOR

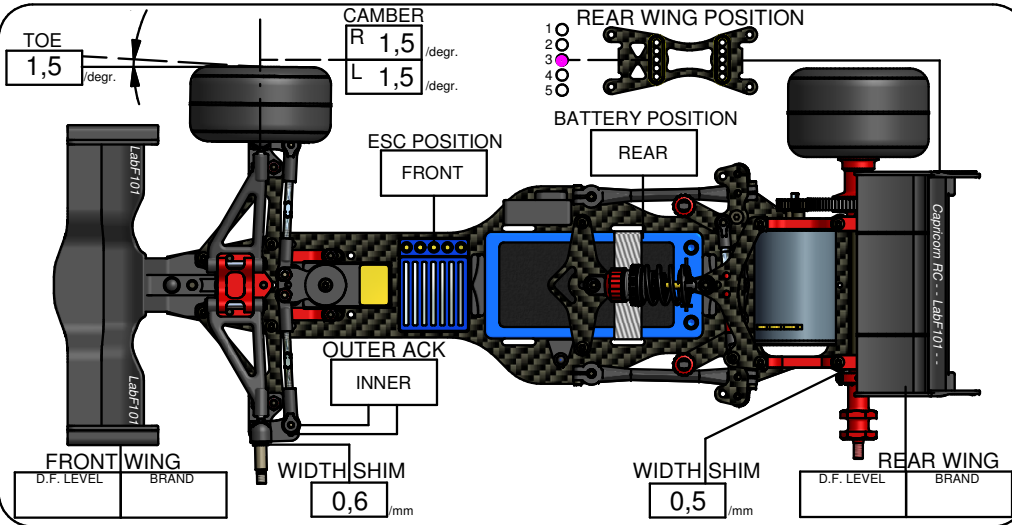
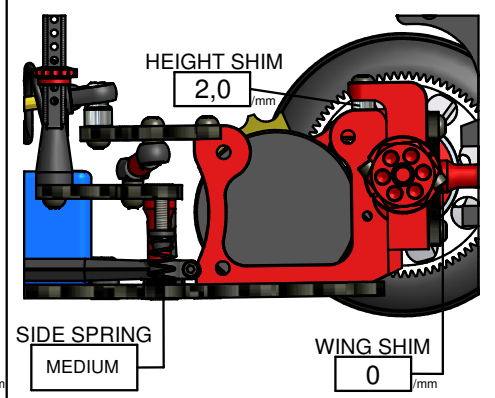
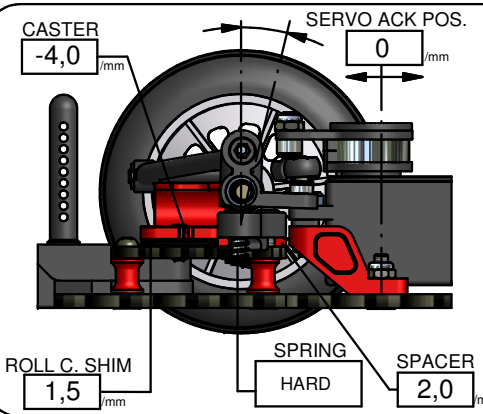
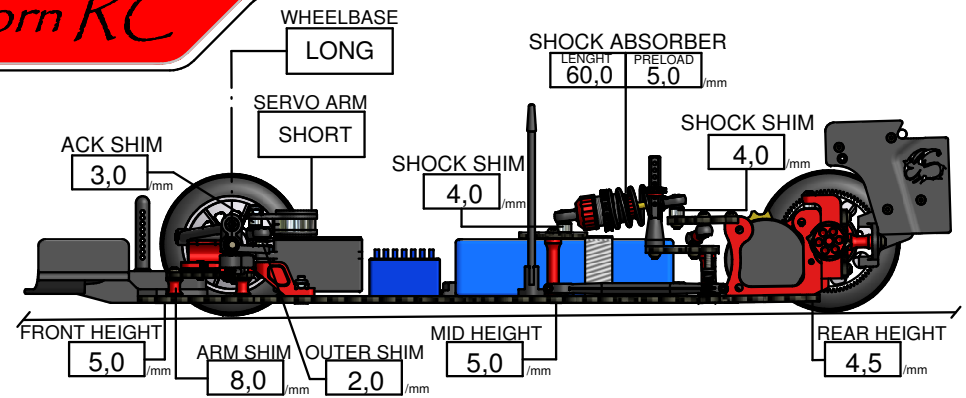
ESC

BATTERY

BODY

ADDITIVE TREATED AREA

- NOTES -



Made in Italy

