



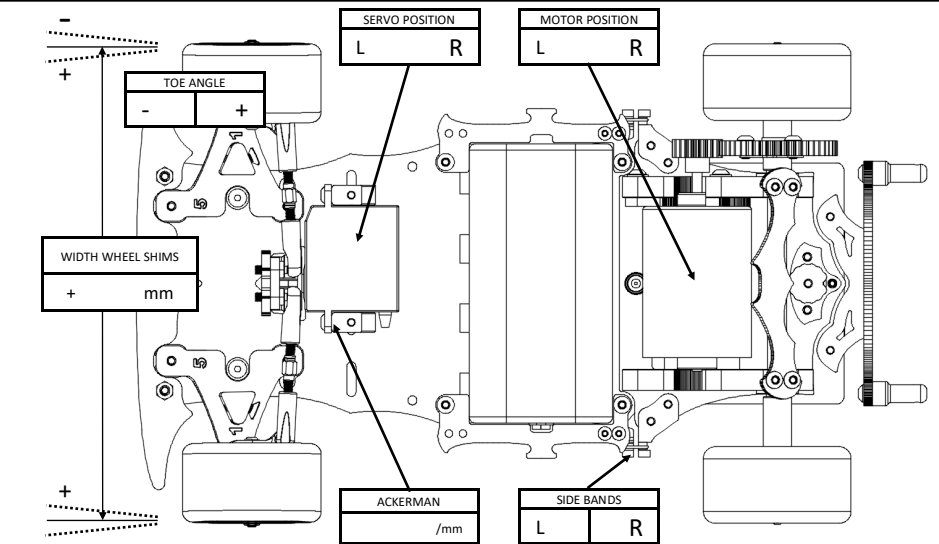
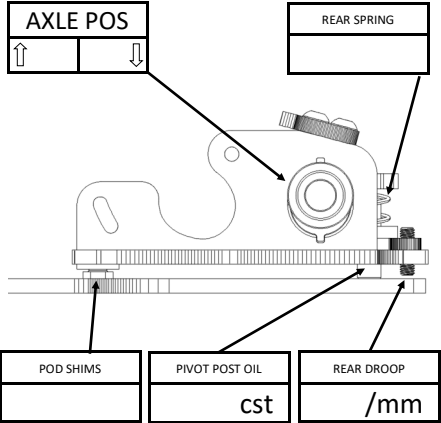
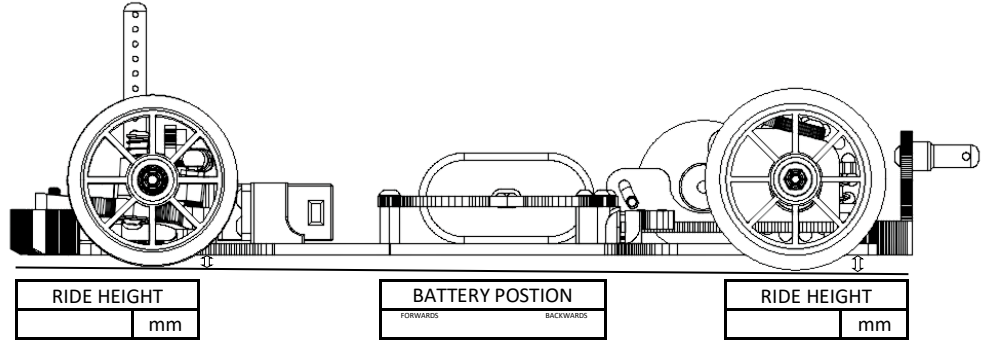
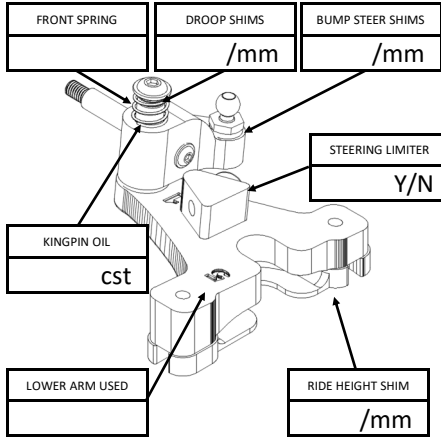
**BATTCAVE**

# JOKER

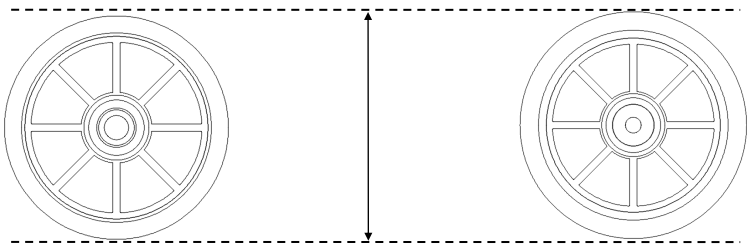
Name

Venue

Date

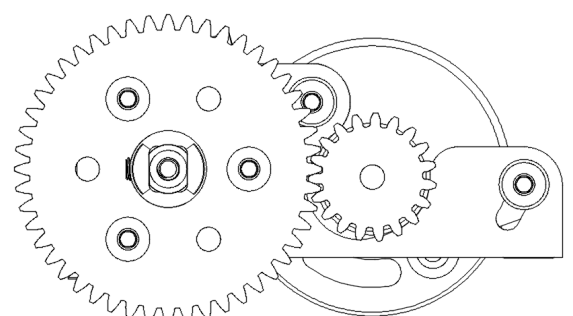


FRONT	TYRE PREPARATION DETAILS		REAR
	BRAND		
	SHORE		
/mm	DIAMETER		/mm
Y/N	SIDE WALL GLUE		Y/N



TYRE ADDITIVE PREP		
FRONT		REAR
	ADDITIVE	
/mins	TIME	/mins
	ADDITIVE AREA	

MOTOR	
SPUR	
PINION	
ROLL OUT	
ESC	
BATTERY	



ADDITIONAL NOTES...