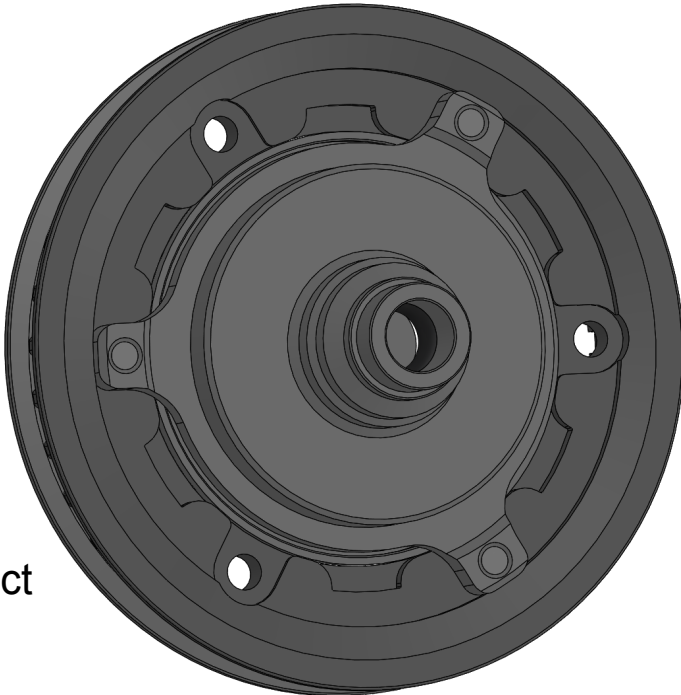


**SC2X4** x3

**AT124B**

**P138A**

Note round recesses for **SC2X4** screws heads.



Pay attention to the correct orientation of the pulley.

