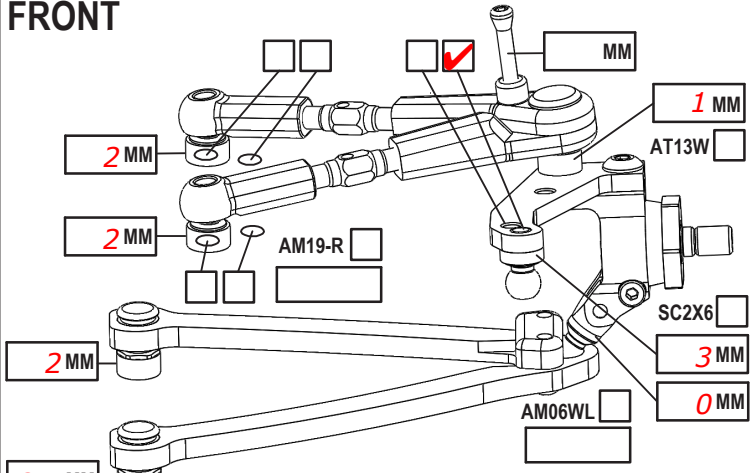


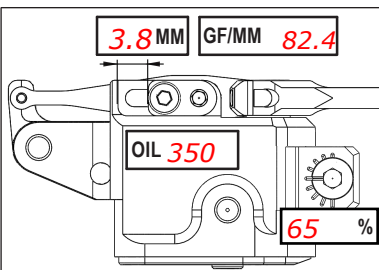
NAME **Lukas Ellerbrock**  
 COUNTRY **Germany**  
 RACE **ETS Rd.3 2023**  
 TRACK **Arena 33 Andernach**

DATE **9/2023** TEMP. °C AIR / TRACK **22 /**  
 TRACK SURFACE ASPHALT  CARPET   
 TRACK LAYOUT TECHNICAL  MIXED  FAST   
 TRACTION LOW  MEDIUM  HIGH

### FRONT

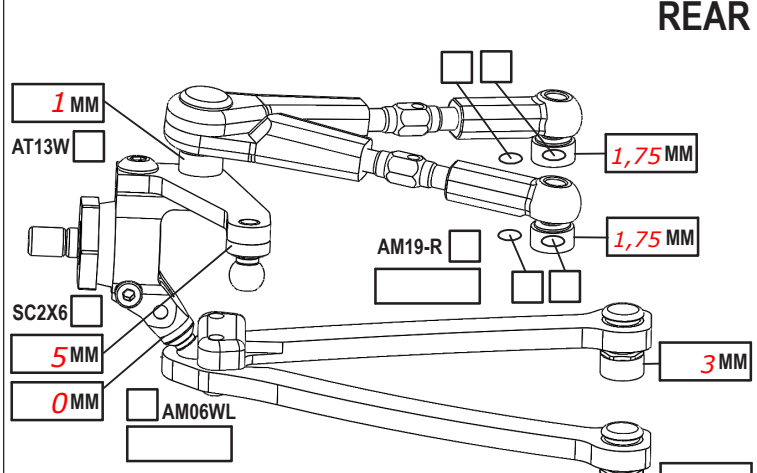


CAMBER ANGLE / ° **1,8**  
 CASTER ANGLE / ° **4,5**  
 TOE ANGLE / ° **1**  
 RIDE HEIGHT / MM **5,0**  
 DOWNSTOP / MM **4,6**  
 ANTI-ROLL BAR Ø / MM **1,1**  
 ARB STIFFENER 1/4  1/2  3/4  1   
 LOWER ARM EXTENSION **0 MM**  
 STEER. ARM AM14LS   
 WHEEL SPACER / MM **0**  
 DRIVE SPOOL  DIFF   
 DRIVE POSITION UP  DOWN   
 DIFF OIL  DIFF SHIMS

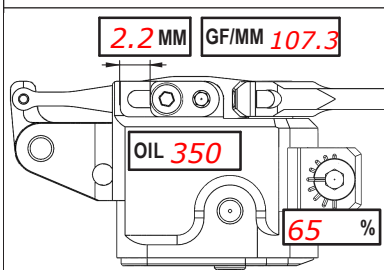


SHOCKS SETUP  
 DAMPER D3   
 ROTOR 2 HOLES   
 SPRING STD  S   
 SRS/RHS ARR. I  II   
 PSS SETUP 25%  15%   
 DAMPING LINEAR  PROGRESSIVE   
 C45 YES  NO   
 2ND SPRING SPR-P1

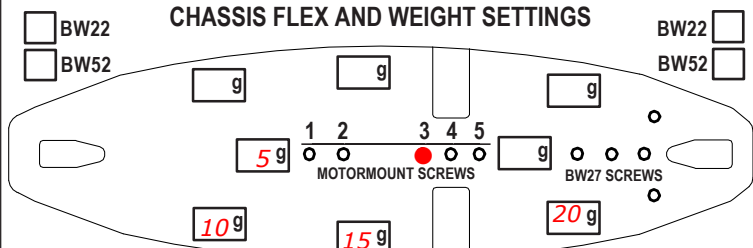
### REAR



CAMBER ANGLE / ° **2,2**  
 CASTER ANGLE / ° **2,5**  
 TOE ANGLE / ° **2**  
 RIDE HEIGHT / MM **5,2**  
 DOWNSTOP / MM **5,0**  
 ANTI-ROLL BAR Ø / MM **1,1**  
 ARB STIFFENER 1/4  1/2  3/4  1   
 LOWER ARM EXTENSION **0 MM**  
 STEER. ARM AM23-R   
 WHEEL SPACER / MM **0**  
 DRIVE (surprise us)  
 DRIVE POSITION UP  DOWN   
 DIFF OIL **8000** DIFF SHIMS **small**



SHOCKS SETUP  
 DAMPER D3   
 ROTOR 2 HOLES   
 SPRING STD  S   
 SRS/RHS ARR. I  II   
 PSS SETUP 25%  15%   
 DAMPING LINEAR  PROGRESSIVE   
 C45 YES  NO   
 2ND SPRING SPR-P1



CHASSIS FLEX AND WEIGHT SETTINGS  
 BW22  BW22   
 BW52  BW52   
 LOWER DECK C01B-RA  C01B-RC   
 BUMPER TOP PLATE CUT   
 C26  C26   
 FRONT TOP DECK C127S  C127  REAR TOP DECK C127S  C127   
 SINGLE TOP DECK C27MMX

TIRES **Matrix**  
 INSERTS   
 WHEELS   
 ADDITIVE **MR33** TIME - FR **30** RR **30**  
 TOTAL WEIGHT **1307** WEIGHT DISTRIBUTION F **49,67%** R **50,33%**  
 NOTES: **2x additive after 15 minutes**

MOTOR LATERAL SHIFT / MM **2,0** ACKERMANN SHIMS / MM **rear**  
 MOTOR **ETS Orca 17,5T** SERVO **MKS**  
 SPUR **90** PINION **45** RATIO **3.80** STEER TRAVEL IN  OUT   
 BODY **Wolverin** BATTERY **LRP G4 8100**  
 WING **Wolverin** RECEIVER **Sanwa**  
 ESC **Hand out** RADIO **Sanwa**  
 ESC SETTING  
 BEST LAP TIME **19,298** QUALIF./FINAL POSITION **1 / 1**

COMMENTS: