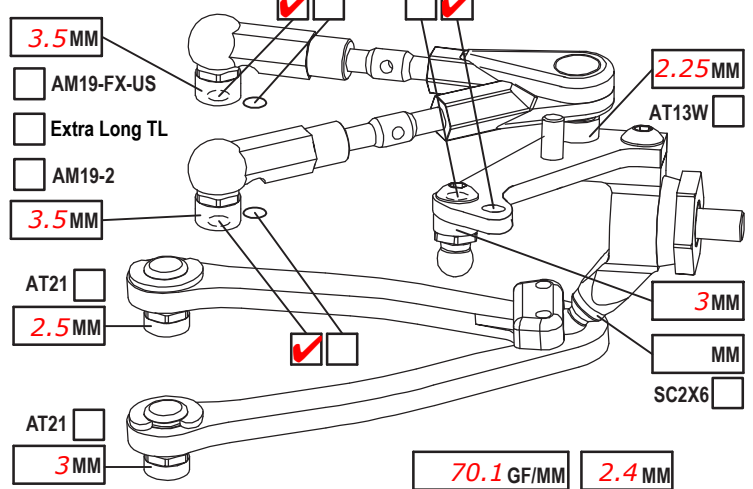


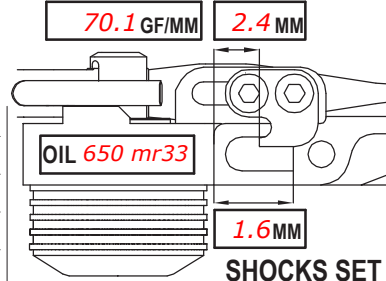
NAME **Michael Hanulec**
 COUNTRY **USA**
 RACE **Club Race**
 TRACK **Seatac**

DATE **14 Aug 2021** TEMP. °C AIR / TRACK **80F / 90F-110F**
 ASPHALT OUTDOOR INDOOR CARPET
 TRACK CONDITION TECHNICAL MIXED FAST
 TRACTION LOW MEDIUM HIGH

FRONT

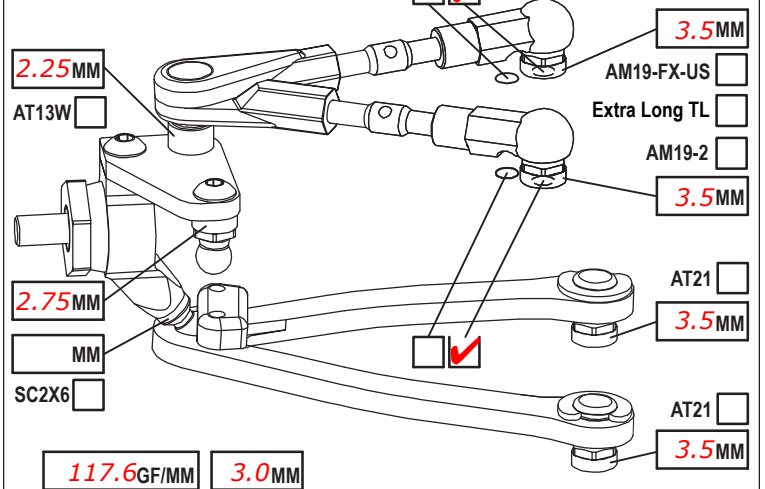


CAMBER ANGLE / °	2
CASTER ANGLE / °	4
TOE ANGLE / °	-1
RIDE HEIGHT / MM	5
DOWNSTOP / MM	5.4
UPWNSTOP / MM	
STABILIZER Ø / MM	1.1
LOW ARM C04M1+9.0	<input checked="" type="checkbox"/> <input type="checkbox"/>
STEER. ARM AM14LS	<input checked="" type="checkbox"/> <input type="checkbox"/>
WHEEL SPACER / MM	
FRONT DRIVE SPOOL	<input checked="" type="checkbox"/> GB2B <input type="checkbox"/> LOW <input type="checkbox"/> HIGH <input checked="" type="checkbox"/>
DIFF. OIL	DIFF WASHERS
WHEELHUB	AM06WL <input checked="" type="checkbox"/> <input type="checkbox"/>

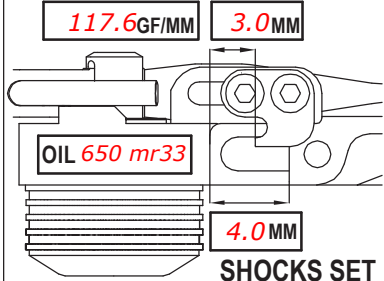


SHOCKS SET			
ROTOR	STD	<input checked="" type="checkbox"/>	<input type="checkbox"/>
SPRING	STD	<input checked="" type="checkbox"/>	S <input type="checkbox"/>
DAMPER	D2.2	<input checked="" type="checkbox"/>	<input type="checkbox"/>
SRS/RHS ARR.	I	<input type="checkbox"/>	II <input checked="" type="checkbox"/>
PSS SETUP	25%	<input type="checkbox"/>	15% <input type="checkbox"/>

REAR

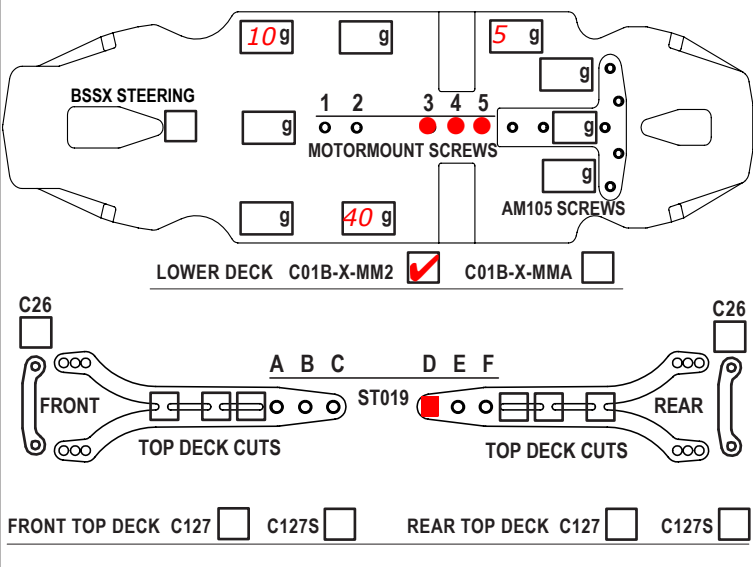


CAMBER ANGLE / °	2.25
CASTER ANGLE / °	-4
TOE ANGLE / °	3
RIDE HEIGHT / MM	5.75
DOWNSTOP / MM	4.6
UPWNSTOP / MM	
STABILIZER Ø / MM	1.1
LOW ARM C04M1+8.0	<input checked="" type="checkbox"/> <input type="checkbox"/>
STEER. ARM AM23-1	<input checked="" type="checkbox"/> <input type="checkbox"/>
WHEEL SPACER / MM	
REAR DRIVE	GB2B <input checked="" type="checkbox"/> LOW <input type="checkbox"/> HIGH <input checked="" type="checkbox"/>
DIFF. OIL 10K	DIFF WASHERS small shim
WHEELHUB	AM06WL <input checked="" type="checkbox"/> <input type="checkbox"/>



SHOCKS SET			
ROTOR	STD	<input checked="" type="checkbox"/>	<input type="checkbox"/>
SPRING	STD	<input checked="" type="checkbox"/>	S <input type="checkbox"/>
DAMPER	D2.2	<input checked="" type="checkbox"/>	<input type="checkbox"/>
SRS/RHS ARR.	I	<input checked="" type="checkbox"/>	II <input type="checkbox"/>
PSS SETUP	25%	<input type="checkbox"/>	15% <input type="checkbox"/>

CHASSIS FLEX AND WEIGHT SETTINGS



TIRES	Contact A34
INSERTS	Premount
WHEELS	
ADDITIVE	MGV3 White
TOTAL WEIGHT	WEIGHT DISTRIBUTION F % R %
TIME - FR 5m	RR 5m
NOTES:	

MOTOR LATERAL SHIFT / MM	ACKERMANN POSITION Forward
MOTOR HW 4.5	SERVO Tekin T180
SPUR 116 PINION 28 RATIO 7.87	STEER TRAVEL IN OUT
BODY	BATTERY Sunpadow 5200 Platin
WING	RECEIVER Sanwa RX-493
ESC	RADIO Sanwa M17
ESC SETTING Boost + Turbo	
BEST LAPTIME 12.7	QUALIF./FINAL POSITION /

one piece top deck. hrb. pss. bw22 and at144 with skinny pack spaced out wide to balance.
 next time -
 re-install PSS in the front shocks (front end never felt connected enough); try different
 sauce; drive better