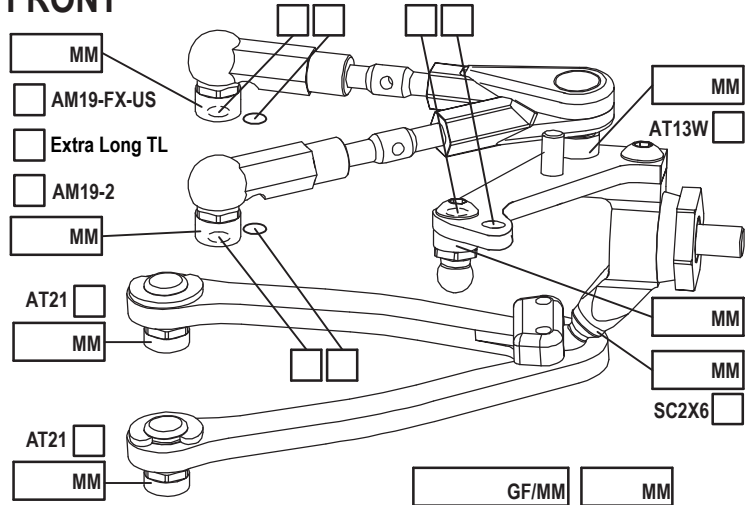


NAME _____
 COUNTRY _____
 RACE _____
 TRACK _____

DATE _____ TEMP. °C AIR / TRACK _____ /
 ASPHALT OUTDOOR INDOOR CARPET
 TRACK CONDITION TECHNICAL MIXED FAST
 TRACTION LOW MEDIUM HIGH

FRONT

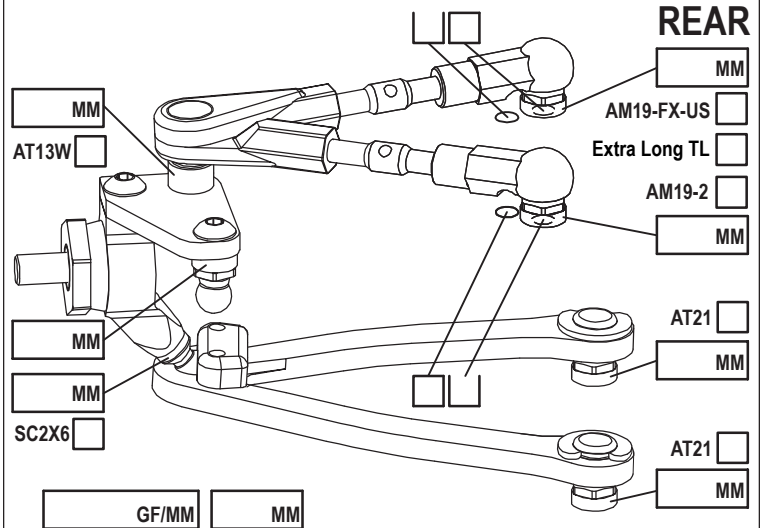


CAMBER ANGLE / ° _____
 CASTER ANGLE / ° _____
 TOE ANGLE / ° _____
 RIDE HEIGHT / MM _____
 DOWNSTOP / MM _____
 UPWNSTOP / MM _____
 STABILIZER Ø / MM _____
 LOW ARM C04M1+9.0
 STEER. ARM AM14LS
 WHEEL SPACER / MM _____
 FRONT DRIVE SPOOL GB2B LOW HIGH
 DIFF. OIL _____ DIFF WASHERS _____
 WHEELHUB AM06WL

SHOCKS SET

| | | | |
|--------------|------|--------------------------|------------------------------|
| ROTOR | STD | <input type="checkbox"/> | <input type="checkbox"/> |
| SPRING | STD | <input type="checkbox"/> | S <input type="checkbox"/> |
| DAMPER | D2.2 | <input type="checkbox"/> | <input type="checkbox"/> |
| SRS/RHS ARR. | I | <input type="checkbox"/> | II <input type="checkbox"/> |
| PSS SETUP | 25% | <input type="checkbox"/> | 15% <input type="checkbox"/> |

REAR

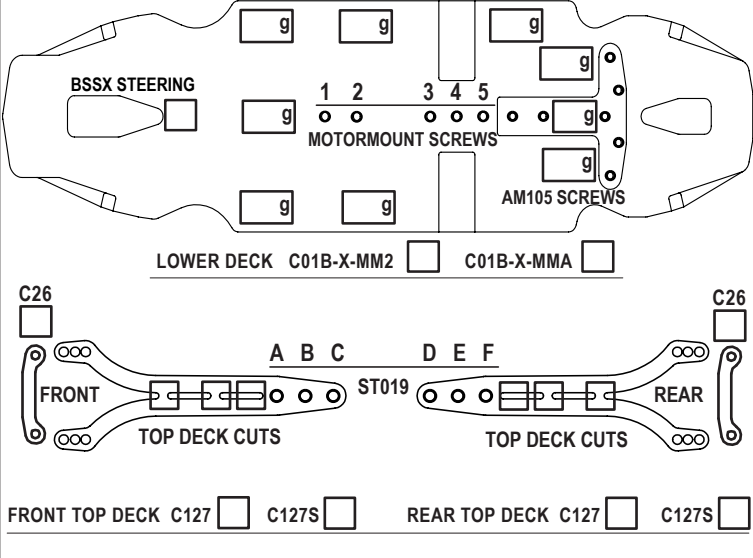


CAMBER ANGLE / ° _____
 CASTER ANGLE / ° _____
 TOE ANGLE / ° _____
 RIDE HEIGHT / MM _____
 DOWNSTOP / MM _____
 UPWNSTOP / MM _____
 STABILIZER Ø / MM _____
 LOW ARM C04M1+8.0
 STEER. ARM AM23-1
 WHEEL SPACER / MM _____
 REAR DRIVE GB2B LOW HIGH
 DIFF. OIL _____ DIFF WASHERS _____
 WHEELHUB AM06WL

SHOCKS SET

| | | | |
|--------------|------|--------------------------|------------------------------|
| ROTOR | STD | <input type="checkbox"/> | <input type="checkbox"/> |
| SPRING | STD | <input type="checkbox"/> | S <input type="checkbox"/> |
| DAMPER | D2.2 | <input type="checkbox"/> | <input type="checkbox"/> |
| SRS/RHS ARR. | I | <input type="checkbox"/> | II <input type="checkbox"/> |
| PSS SETUP | 25% | <input type="checkbox"/> | 15% <input type="checkbox"/> |

CHASSIS FLEX AND WEIGHT SETTINGS



TIRES

INSERTS _____
 WHEELS _____
 ADDITIVE _____ TIME - FR _____ RR _____
 TOTAL WEIGHT _____ WEIGHT DISTRIBUTION F % R %
 NOTES: _____

| | |
|--------------------------------|---------------------------------|
| MOTOR LATERAL SHIFT / MM _____ | ACKERMANN POSITION _____ |
| MOTOR _____ | SERVO _____ |
| SPUR PINION RATIO _____ | STEER TRAVEL IN _____ OUT _____ |
| BODY _____ | BATTERY _____ |
| WING _____ | RECEIVER _____ |
| ESC _____ | RADIO _____ |
| ESC SETTING _____ | |
| BEST LAP TIME _____ | QUALIF./FINAL POSITION _____ / |