

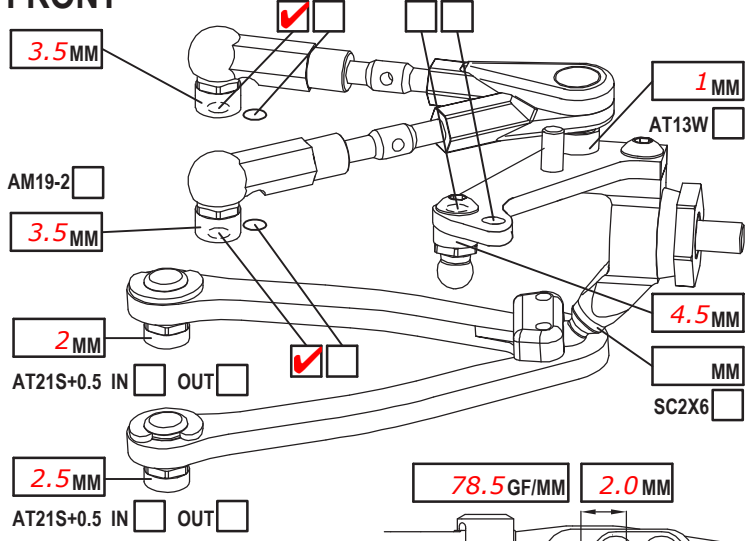
# AWESOME B77X A800FX EVO

SETUP SHEET  
VERSION 1.0

NAME **CARLOS FERNANDEZ ESPINOSA**  
 COUNTRY **SPAIN**  
 RACE **RD3 NATS (VALLADOLID)**  
 TRACK **PICAL**

DATE **17-07-2022** TEMP. °C AIR / TRACK **40 / 65**  
 ASPHALT  OUTDOOR  INDOOR  CARPET   
 TRACK CONDITION TECHNICAL  MIXED  FAST   
 TRACTION LOW  MEDIUM  HIGH

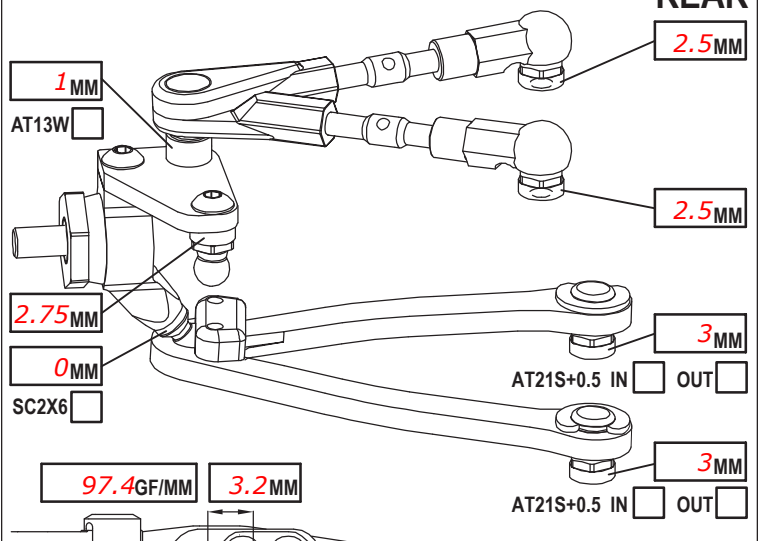
## FRONT



CAMBER ANGLE / °	<b>0.5</b>
CASTER ANGLE / °	<b>3</b>
TOE ANGLE / °	<b>1</b>
RIDE HEIGHT / MM	<b>5.2</b>
DOWNSTOP / MM	<b>5.6</b>
UPWNSSTOP / MM	-
STABILIZER Ø / MM	<b>1.1</b>
LOW ARM C04M1+9.0	<input type="checkbox"/> <b>+7</b> <input checked="" type="checkbox"/>
STEER. ARM AM14FX	<input checked="" type="checkbox"/> <input type="checkbox"/>
WHEELHUB AM06WL	<input checked="" type="checkbox"/> <input type="checkbox"/>
DRIVE SPOOL	<input type="checkbox"/> <input checked="" type="checkbox"/> DIFF
DIFF. OIL	<b>60.000</b>
WHEEL SPACER / MM	-

SHOCKS SET	
ROTOR	STD <input checked="" type="checkbox"/> <input type="checkbox"/>
SPRING	STD <input type="checkbox"/> S <input checked="" type="checkbox"/>
DAMPER	D2.2 <input checked="" type="checkbox"/> <input type="checkbox"/>
SRS/ST69 ARR.	I <input checked="" type="checkbox"/> II <input type="checkbox"/>
PSS SETUP	15% <input type="checkbox"/> 25% <input checked="" type="checkbox"/>
	LOW <input type="checkbox"/> HIGH <input checked="" type="checkbox"/>
DIFF WASHERS	
STEERING	SBFX <input checked="" type="checkbox"/> LS <input type="checkbox"/>

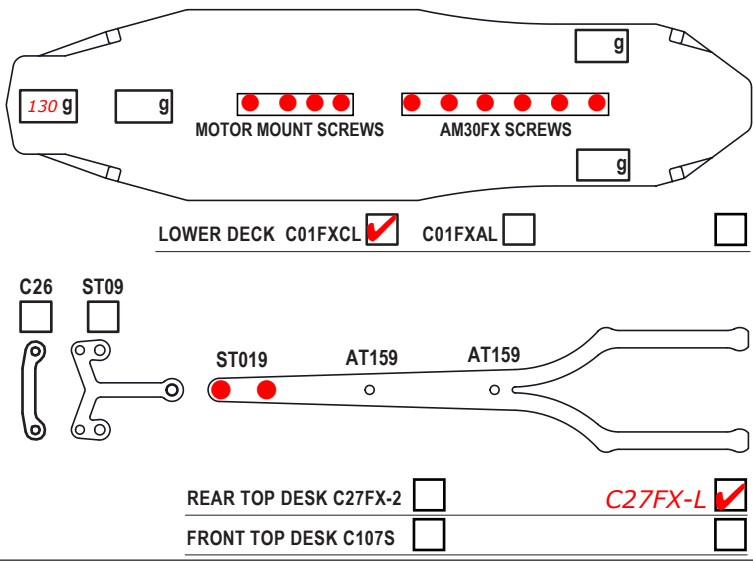
## REAR



CAMBER ANGLE / °	<b>1.25</b>
CASTER ANGLE / °	<b>-3</b>
TOE ANGLE / °	<b>0.75</b>
RIDE HEIGHT / MM	<b>5.6</b>
DOWNSTOP / MM	<b>4.6</b>
UPWNSSTOP / MM	-
STABILIZER Ø / MM	<b>1.2</b>
LOW ARM C04M1+8.0	<input type="checkbox"/> <b>+7</b> <input checked="" type="checkbox"/>
STEER. ARM AM23-1	<input checked="" type="checkbox"/> <input type="checkbox"/>
WHEELHUB AM06WL	<input checked="" type="checkbox"/> <input type="checkbox"/>
WHEEL SPACER / MM	<b>0</b>

SHOCKS SET	
ROTOR	STD <input checked="" type="checkbox"/> <input type="checkbox"/>
SPRING	STD <input checked="" type="checkbox"/> S <input type="checkbox"/>
DAMPER	D2.2 <input checked="" type="checkbox"/> <input type="checkbox"/>
SRS/ST69 ARR.	I <input checked="" type="checkbox"/> II <input type="checkbox"/>
PSS SETUP	15% <input type="checkbox"/> 25% <input type="checkbox"/>

## CHASSIS FLEX AND WEIGHT SETTINGS



## TIRES

**RIDE 26073**

INSERTS	-				
WHEELS	-				
ADDITIVE	-	TIME - FR -	RR -		
TOTAL WEIGHT	<b>1290</b>	WEIGHT DISTRIBUTION - F		% R <sup>74</sup> / <sub>26</sub>	%

NOTES:

MOTOR LATERAL SHIFT / MM	<b>0</b>	ACKERMANN SHIMS / MM	<b>0</b>
MOTOR	<b>HW JUSTOCK 17.5</b>	SERVO	<b>SRT 8015</b>
SPUR	<b>99 PINION 47 RATIO 4.00</b>	STEER TRAVEL IN	<b>ALL</b> OUT
BODY	<b>BLITZ YRS</b>	BATTERY	<b>RCPROSTYLE 5700</b>
WING	<b>STD</b>	RECEIVER	<b>SANWA 492</b>
ESC	<b>HW JUSTOCK</b>	RADIO	<b>SANWA M17</b>
ESC SETTING	<b>BLINKY</b>		
BEST LAP TIME	<b>27.346</b>	QUALIF./FINAL POSITION	<b>1 / 1</b>

Option parts: **BDL / C27FX-L / AT15 / ST69-25**  
**ESC OVER FRONT BUMPER**