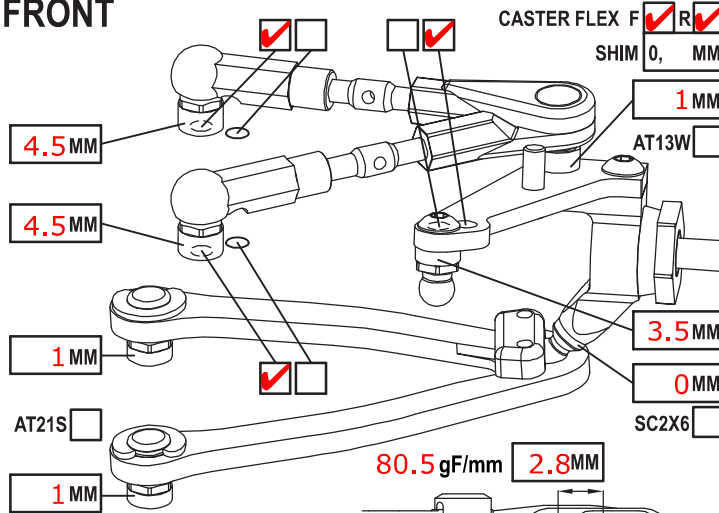


NAME **Delisé Nicolas**
 COUNTRY **BE**
 RACE **Longwy Rd1 (FR)**
 TRACK **ETS Carpet**

DATE **30/10/16** TEMP. °C AIR / TRACK °C / °C
 ASPHALT (OUTDOOR INDOOR) CARPET
 TRACK CONDITION TECHNICAL MIXED FAST
 TRACTION LOW MEDIUM HIGH

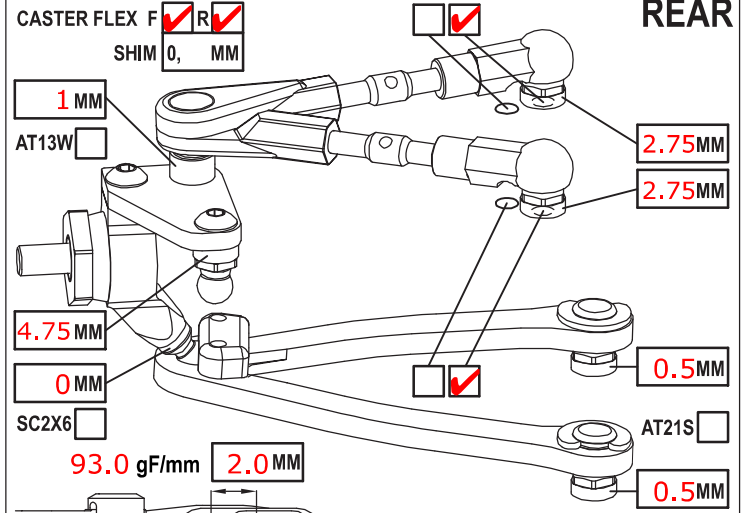
FRONT



CAMBER ANGLE / °	2
CASTER ANGLE / °	4
TOE ANGLE / °	2
RIDE HEIGHT / MM	5.4
DOWNSTOP / MM	5.6
UPWNSTOP / MM	
STABILIZER Ø / MM	1.2
LOW ARM C04AL <input type="checkbox"/> C04M+05 <input type="checkbox"/>	
STEERING ARM STD <input type="checkbox"/> AM14A <input type="checkbox"/>	
WHEEL SPACER / MM	
FRONT DRIVE GD3 <input type="checkbox"/> SPOOL <input checked="" type="checkbox"/> GB2B <input type="checkbox"/> LOW <input checked="" type="checkbox"/> HIGH <input type="checkbox"/>	
DIFF. OIL	DIFF WASHERS
DOGBONE DRIVE ST17-1 <input type="checkbox"/> ST11 <input type="checkbox"/> ST12 <input type="checkbox"/> BB <input type="checkbox"/> ST02 <input type="checkbox"/>	
WHEELHUB AM06M <input type="checkbox"/> AM06S-M <input type="checkbox"/> AM06W <input type="checkbox"/>	

SHOCKS SET	
ROTOR STD <input checked="" type="checkbox"/>	<input type="checkbox"/>
SPRING STD <input type="checkbox"/>	S <input checked="" type="checkbox"/>
DAMPER D2.1 <input type="checkbox"/>	<input type="checkbox"/>
ACTION SYM. <input checked="" type="checkbox"/>	ASYM. <input type="checkbox"/>
SRS/RHS ARR. I <input checked="" type="checkbox"/>	II <input type="checkbox"/>

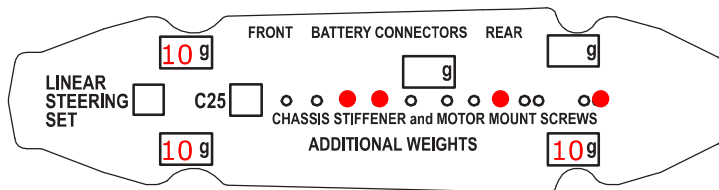
REAR



CAMBER ANGLE / °	2
CASTER ANGLE / °	6(short)
TOE ANGLE / °	2.25
RIDE HEIGHT / MM	5.6
DOWNSTOP / MM	4.8
UPWNSTOP / MM	
STABILIZER Ø / MM	1.1
LOW ARM C04AL <input type="checkbox"/> C04M <input type="checkbox"/>	
STEERING ARM STD <input checked="" type="checkbox"/>	<input type="checkbox"/>
WHEEL SPACER / MM	
REAR DRIVE GD3R <input type="checkbox"/> GB2B <input type="checkbox"/> LOW <input checked="" type="checkbox"/> HIGH <input type="checkbox"/>	
DIFF. OIL 10k	DIFF WASHERS
DOGBONE DRIVE ST11 <input type="checkbox"/> ST12 <input type="checkbox"/> BB <input type="checkbox"/> ST17-1 <input type="checkbox"/> EVD <input type="checkbox"/>	
WHEELHUB AM06M <input type="checkbox"/> AM06S-M <input type="checkbox"/> AM06W <input type="checkbox"/>	

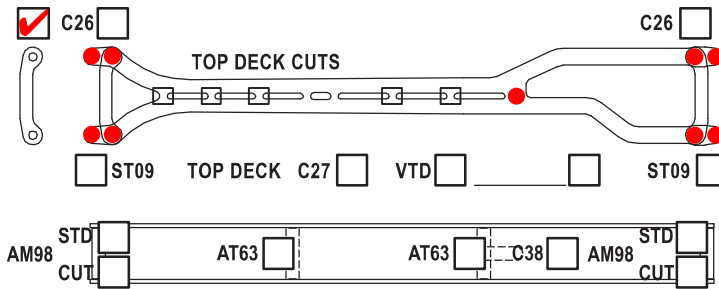
SHOCKS SET	
ROTOR STD <input checked="" type="checkbox"/>	<input type="checkbox"/>
SPRING STD <input type="checkbox"/>	S <input checked="" type="checkbox"/>
DAMPER D2.1 <input type="checkbox"/>	<input type="checkbox"/>
ACTION SYM. <input checked="" type="checkbox"/>	ASYM. <input type="checkbox"/>
SRS/RHS ARR. I <input checked="" type="checkbox"/>	II <input type="checkbox"/>

FRAME FLEX SETTING



LOWER DECK **Carbon 2.25**

CHASSIS STIFFENER AM110 AM115 ST130 ST165



TIRES

FRONT	FI	FB	REAR	RI	RP
BRAND	Volante		Volante		
INSERTS					
WHEELS					
ADDITIVE	MR33		MR33		

MOTOR LATERAL SHIFT / MM	ACKERMANN SHIMS / MM 1
MOTOR Corally 5.5	SERVO Highest
SPUR 116 PINION 30 RATIO 7.35	STEER TRAVEL IN OUT
BODY IS200	BATTERY Corally 5800
WING Roche Hard	RECEIVER
ESC Corally	RADIO
ESC SETTING Blinky	
BEST LAP TIME 12.4	QUALIF./FINAL POSITION 4 / 9
CONTACT delise.nicolas@gmail.com	

0.1mm under ST165
 AM06W all around.
 AT21+05 in rear in WIDE position.