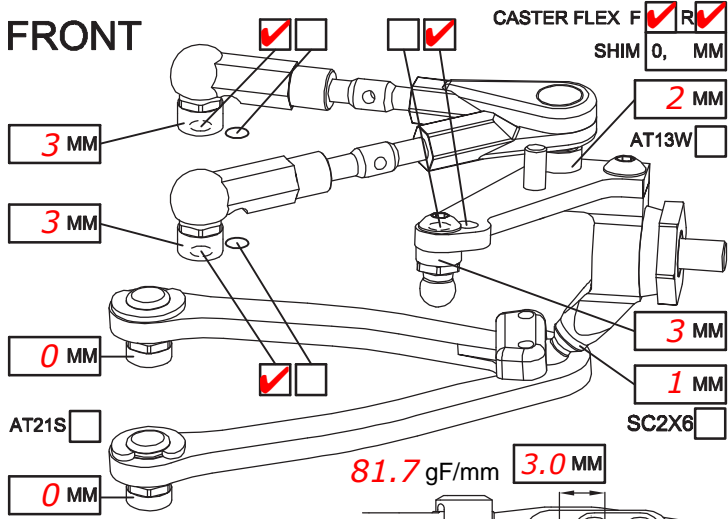


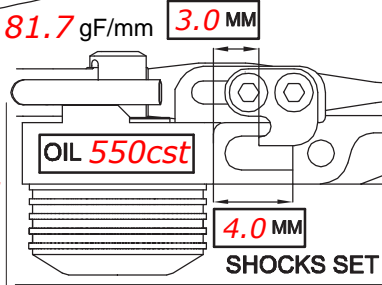
NAME *Brandon Clements*
 COUNTRY _____
 RACE *CTS finale*
 TRACK *Warm springs raceway*

DATE *8-7-2016* TEMP.°C AIR / TRACK *85°F* / °C
 CARPET ASPHALT
 TRACK CONDITION TECHNICAL MIXED FAST
 TRACTION LOW MEDIUM HIGH

FRONT



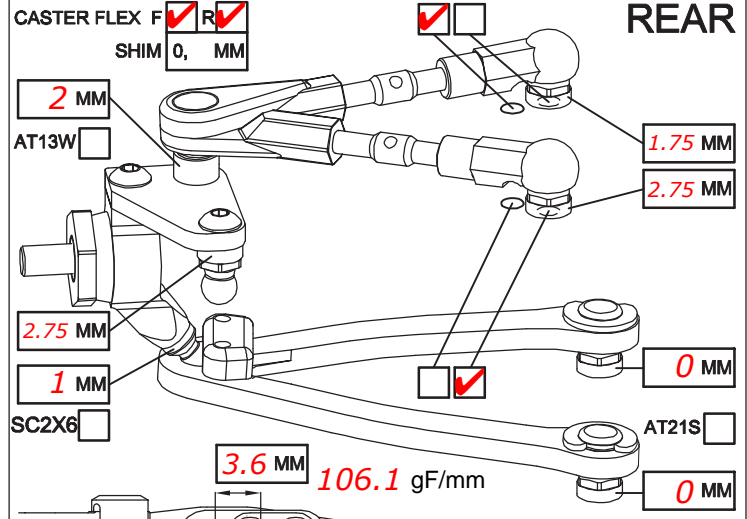
CAMBER ANGLE / ° *-2*
 CASTER ANGLE / ° *4*
 TOE ANGLE / ° *1 Out*
 RIDE HEIGHT / MM *5.4*
 DOWNSTOP / MM *5.6*
 UPSTOP / MM _____
 STABILIZER Ø / MM *1.2*
 LOW ARM C04AL *+0.5*
 STEERING ARM STD
 WHEEL SPACER / MM _____
 FRONT DRIVE GD3 SPOOL GD2B



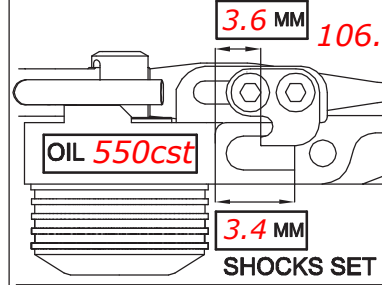
SHOCKS SET
 ROTOR STD _____
 SPRING STD S
 DAMPER D2.1 _____
 ACTION SYM. ASYM.
 SRS/RHS ARR. I II

DIFF OIL _____ DIFF WASHERS _____
 DOGBONE DRIVE ST17-1 ST11 ST12 BB ST02

REAR



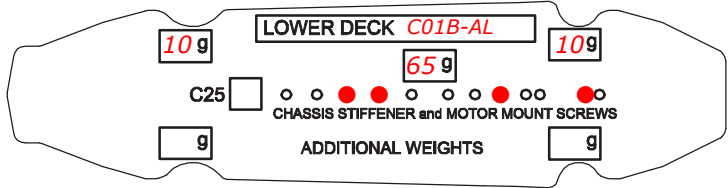
CAMBER ANGLE / ° *-2*
 CASTER ANGLE / ° *-2*
 TOE ANGLE / ° *2.5*
 RIDE HEIGHT / MM *5.4*
 DOWNSTOP / MM *4.6*
 UPSTOP / MM _____
 STABILIZER Ø / MM *1.1*
 LOW ARM C04AL *+0.5*
 STEERING ARM STD
 WHEEL SPACER / MM _____
 REAR DRIVE GD3R GD2B



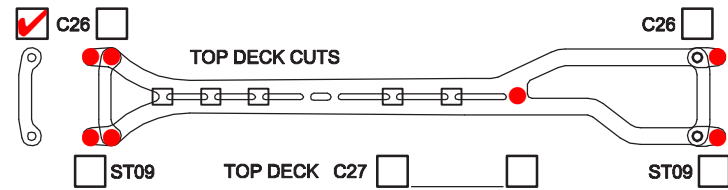
SHOCKS SET
 ROTOR STD _____
 SPRING STD S
 DAMPER D2.1 _____
 ACTION SYM. ASYM.
 SRS/RHS ARR. I II

DIFF OIL *10k* DIFF WASHERS *.2x10mm / .3x10mm*
 DOGBONE DRIVE ST11 ST12 BB ST17-1 EVD

FRAME FLEX SETTING



CHASSIS STIFFENER AM110 AM115 ST130



COMMENTS

*C04M+0.5 front and rear
 AT21 front and rear
 ST165
 AM19-4 in the rear*

TIRES	FRONT	REAR
BRAND	<i>Solaris</i>	<i>36J</i>
INSERTS		
WHEELS		
ADDITIVE	<i>FX2</i>	

MOTOR LATERAL SHIFT / MM		MOTOR <i>LRP X20 4.5</i>
ACKERMANN SHIMS / MM	<i>1</i>	SERVO <i>Futaba BLS551</i>
DRIVE RATIO	<i>7.4</i>	ESC <i>LRP Flow</i>
SPUR <i>114</i> PINION <i>29</i>		BATTERY <i>LRP 5600 LCG</i>
BODY <i>LTCR LW</i>		RECEIVER <i>Airtronics 481</i>
WING <i>PF High Downforce</i>		

BEST LAPTIME _____ QUALIF. / FINAL POSITION _____ /

ESC SETTING _____

COMMENTS / IMPRESSIONS _____

*Note front SRS/RHS ARR 2
 Diff/spool ran low*

CONTACT _____