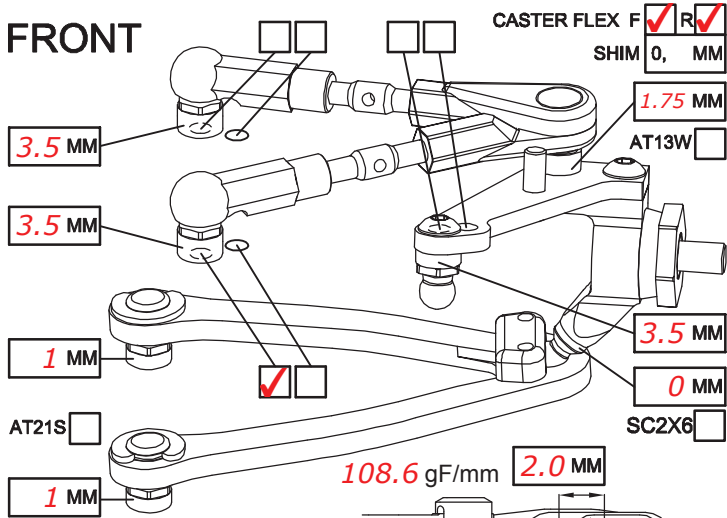


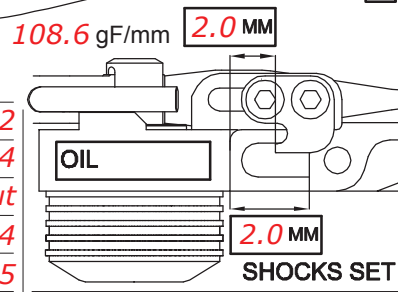
NAME *Alex Ilievski*
 COUNTRY *Australia*
 RACE *ACT Titles 2016*
 TRACK *Kambah ACT*

DATE *29-02-2016* TEMP.°C AIR / TRACK *32°C / °C*
 CARPET ASPHALT
 TRACK CONDITION TECHNICAL MIXED FAST
 TRACTION LOW MEDIUM HIGH

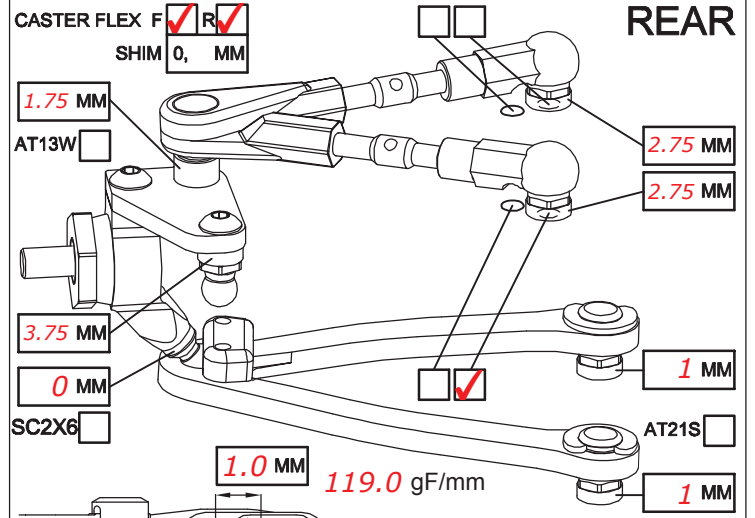
FRONT



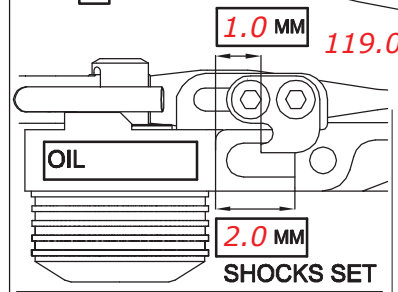
CAMBER ANGLE / °	<i>2</i>
CASTER ANGLE / °	<i>4</i>
TOE ANGLE / °	<i>1 Deg out</i>
RIDE HEIGHT / MM	<i>5.4</i>
DOWNSTOP / MM	<i>5</i>
UPSTOP / MM	<i>14.5</i>
STABILIZER Ø / MM	<i>1.2</i>
LOW ARM C04AL <input checked="" type="checkbox"/>	<input type="checkbox"/>
STEERING ARM STD <input checked="" type="checkbox"/>	<input type="checkbox"/>
WHEEL SPACER / MM	<i>0</i>
FRONT DRIVE <input type="checkbox"/>	GD3 <input type="checkbox"/> SPOOL <input checked="" type="checkbox"/> GD2B <input type="checkbox"/>
DIFF OIL	DIFF WASHERS
DOG BONE DRIVE ST17-1 <input checked="" type="checkbox"/> ST11 <input type="checkbox"/> ST12 <input type="checkbox"/> BB <input type="checkbox"/> ST02 <input type="checkbox"/>	



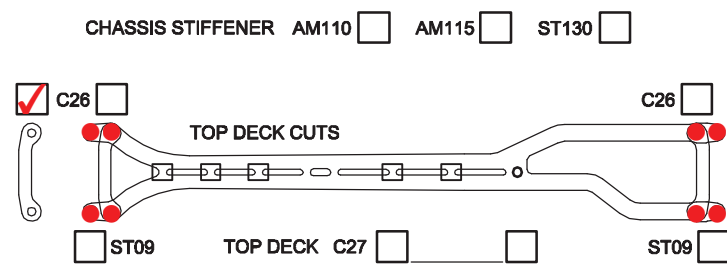
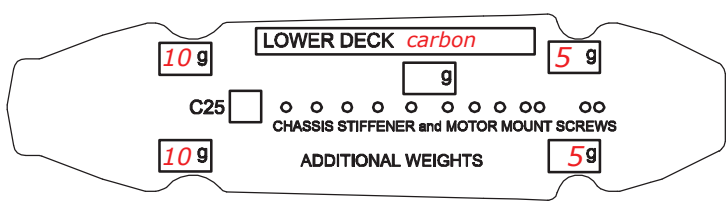
REAR



CAMBER ANGLE / °	<i>2</i>
CASTER ANGLE / °	<i>4</i>
TOE ANGLE / °	<i>2.5 Degree</i>
RIDE HEIGHT / MM	<i>5.6</i>
DOWNSTOP / MM	<i>4</i>
UPSTOP / MM	<i>14.5</i>
STABILIZER Ø / MM	<i>1.1</i>
LOW ARM C04AL <input checked="" type="checkbox"/>	<input type="checkbox"/>
STEERING ARM STD <input checked="" type="checkbox"/>	<input type="checkbox"/>
WHEEL SPACER / MM	<i>0</i>
REAR DRIVE <input type="checkbox"/>	GD3R <input type="checkbox"/> GD2B <input checked="" type="checkbox"/>
DIFF OIL <i>3000</i>	DIFF WASHERS
DOG BONE DRIVE ST11 <input type="checkbox"/> ST12 <input type="checkbox"/> BB <input type="checkbox"/> ST17-1 <input type="checkbox"/> EVD <input type="checkbox"/>	



FRAME FLEX SETTING



COMMENTS

TIRES	FRONT	REAR
FL FR RL RR	BRAND <i>Ride Blue 36</i>	<i>Ride Blue 36</i>
	INSERTS	
	WHEELS	
	ADDITIVE <i>Mighty Gripper Blue</i>	<i>Mighty Gripper Blue</i>

MOTOR LATERAL SHIFT / MM	MOTOR <i>R1 Wurks 13.5 V7 Premium</i>
ACKERMANN SHIMS / MM <i>1mm</i>	SERVO <i>R1 Wurks</i>
DRIVE RATIO <i>4.15</i>	ESC <i>Nosram Comet HD</i>
SPUR	BATTERY <i>R1 Wurks 6000</i>
PINION	RECEIVER <i>Sanwa</i>
BODY <i>Protoform LTRC</i>	
WING <i>Protoform HD</i>	

BEST LAP TIME *18.8* QUALIF. / FINAL POSITION *1st / 1st*
 ESC SETTING *Nosram Comet HD Blinky*
 COMMENTS / IMPRESSIONS