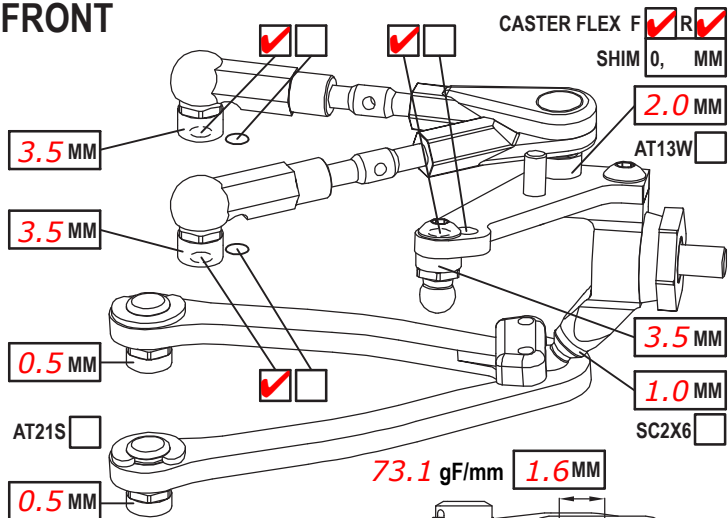


NAME *Dani Young*  
 COUNTRY *United Kingdom*  
 RACE *BRCA Clubman's*  
 TRACK *Eastbourne*

DATE *24/09/2017* TEMP. °C AIR/TRACK *18°C / 20°C*  
 ASPHALT  (OUTDOOR  INDOOR  CARPET   
 TRACK CONDITION TECHNICAL  MIXED  FAST   
 TRACTION LOW  MEDIUM  HIGH

### FRONT

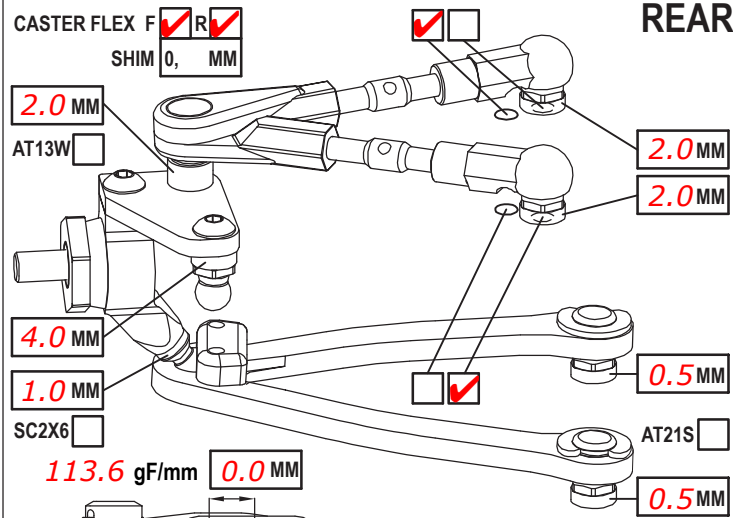


CAMBER ANGLE / °	<i>2deg</i>
CASTER ANGLE / °	<i>4deg</i>
TOE ANGLE / °	<i>0.75</i>
RIDE HEIGHT / MM	<i>5.4</i>
DOWNSTOP / MM	<i>5.2</i>
UPWNSTOP / MM	<i>N/A</i>
STABILIZER Ø / MM	<i>1.1mm</i>
LOW ARM C04AL <input type="checkbox"/>	<input checked="" type="checkbox"/>
STEERING ARM STD <input checked="" type="checkbox"/>	<input type="checkbox"/>
WHEEL SPACER / MM	<i>0.5</i>
FRONT DRIVE GD3 <input type="checkbox"/> SPOOL <input checked="" type="checkbox"/> GB2B <input type="checkbox"/> LOW <input type="checkbox"/> HIGH <input checked="" type="checkbox"/>	
DIFF. OIL	DIFF WASHERS
DOGBONE DRIVE ST17-1 <input type="checkbox"/> ST11 <input checked="" type="checkbox"/> ST12 <input type="checkbox"/> BB <input type="checkbox"/> ST02 <input type="checkbox"/>	
WHEELHUB AM06M <input checked="" type="checkbox"/> AM06S-M <input type="checkbox"/> AM06W <input type="checkbox"/>	

SHOCKS SET	
ROTOR STD <input checked="" type="checkbox"/>	<input type="checkbox"/>
SPRING STD <input type="checkbox"/>	S <input checked="" type="checkbox"/>
DAMPER D2.1 <input checked="" type="checkbox"/>	<input type="checkbox"/>
ACTION SYM. <input checked="" type="checkbox"/>	ASYM. <input type="checkbox"/>
SRS/RHS ARR. I <input checked="" type="checkbox"/>	II <input type="checkbox"/>

### REAR

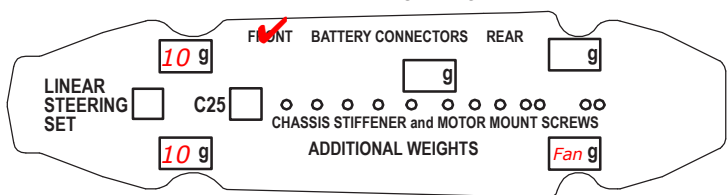


CAMBER ANGLE / °	<i>2deg</i>
CASTER ANGLE / °	<i>0deg</i>
TOE ANGLE / °	<i>2.8deg</i>
RIDE HEIGHT / MM	<i>5.4</i>
DOWNSTOP / MM	<i>4.2</i>
UPWNSTOP / MM	<i>N/A</i>
STABILIZER Ø / MM	<i>1.0</i>
LOW ARM C04AL <input type="checkbox"/>	<input checked="" type="checkbox"/>
STEERING ARM STD <input checked="" type="checkbox"/>	<input type="checkbox"/>
WHEEL SPACER / MM	<i>0mm</i>
REAR DRIVE GD3R <input type="checkbox"/> GB2B <input checked="" type="checkbox"/> LOW <input type="checkbox"/> HIGH <input checked="" type="checkbox"/>	
DIFF. OIL <i>3000</i>	DIFF WASHERS
DOGBONE DRIVE ST11 <input checked="" type="checkbox"/> ST12 <input type="checkbox"/> BB <input type="checkbox"/> ST17-1 <input type="checkbox"/> EVD <input type="checkbox"/>	
WHEELHUB AM06M <input checked="" type="checkbox"/> AM06S-M <input type="checkbox"/> AM06W <input type="checkbox"/>	

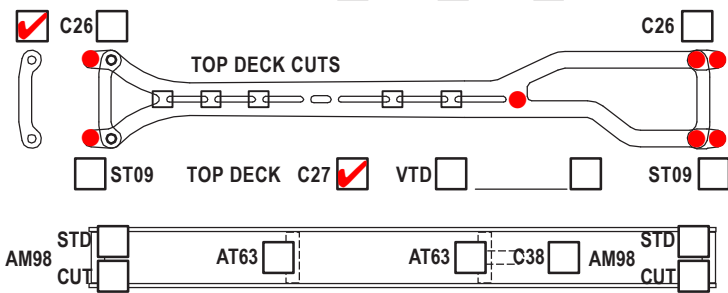
SHOCKS SET	
ROTOR STD <input checked="" type="checkbox"/>	<input type="checkbox"/>
SPRING STD <input type="checkbox"/>	S <input checked="" type="checkbox"/>
DAMPER D2.1 <input checked="" type="checkbox"/>	<input type="checkbox"/>
ACTION SYM. <input checked="" type="checkbox"/>	ASYM. <input type="checkbox"/>
SRS/RHS ARR. I <input checked="" type="checkbox"/>	II <input type="checkbox"/>

### FRAME FLEX SETTING



LOWER DECK *2.25mm*

CHASSIS STIFFENER AM110  AM115  ST130  ST165



TIRES FRONT	FRONT	REAR
BRAND	<i>Sorex</i>	<i>Sorex</i>
INSERTS	<i>Yellow</i>	<i>Yellow</i>
WHEELS	<i>Revlite</i>	<i>Revlite</i>
ADDITIVE	<i>Paragon</i>	<i>Paragon</i>

MOTOR LATERAL SHIFT / MM	<i>0.0</i>	ACKERMANN SHIMS / MM	<i>0.0</i>						
MOTOR	<i>Maclan MMR 17.5</i>	SERVO	<i>SRT Racing</i>						
SPUR	<i>72</i>	PINION	<i>36</i>	RATIO	<i>3.80</i>	STEER TRAVEL IN		OUT	<i>28deg</i>
BODY	<i>Protoform LTRC LW</i>	BATTERY	<i>Nano Tech Ultimate 6600</i>						
WING	<i>Protoform LTRC LW</i>	RECEIVER	<i>Spektrum</i>						
ESC	<i>Maclan MMax Pro 160a</i>	RADIO	<i>Spektrum SX4R Pro</i>						
ESC SETTING	<i>Blinky</i>								
BEST LAP TIME	<i>12.95</i>	QUALIF./FINAL POSITION	<i>A 6th / A 6th</i>						
CONTACT									

*Round 4 best round by round qualifying position, 2nd in round.*