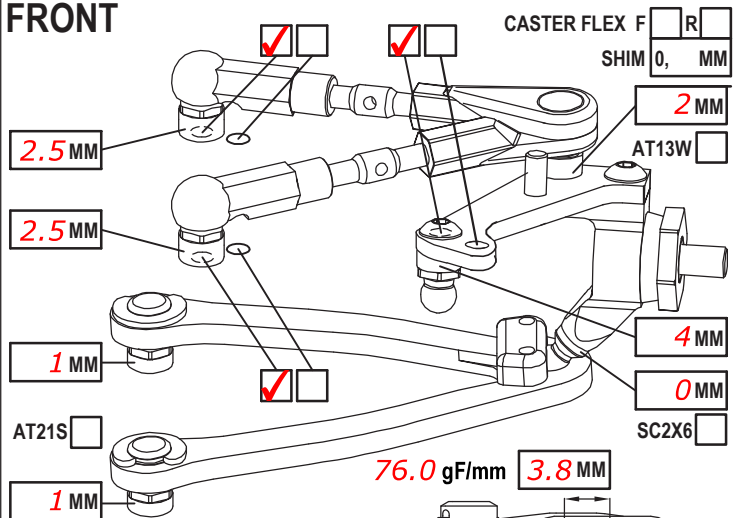


NAME **Brandon Clements**
 COUNTRY _____
 RACE **CTS Round 3**
 TRACK **Tamiya**

DATE **4/23/17** TEMP. °C AIR / TRACK °C / °C
 ASPHALT (OUTDOOR INDOOR) CARPET
 TRACK CONDITION TECHNICAL MIXED FAST
 TRACTION LOW MEDIUM HIGH

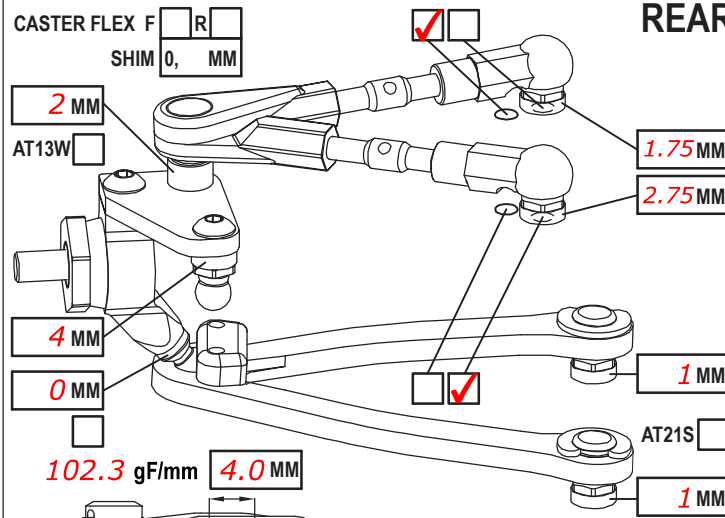
FRONT



CAMBER ANGLE / °	-2
CASTER ANGLE / °	4
TOE ANGLE / °	1 Out
RIDE HEIGHT / MM	5.2
DOWNSTOP / MM	5.8
UPWNSTOP / MM	
STABILIZER Ø / MM	1.1
LOW ARM C04M1 <input type="checkbox"/>	+0.5 <input checked="" type="checkbox"/>
STEER. ARM AM14A <input checked="" type="checkbox"/>	<input type="checkbox"/>
WHEEL SPACER / MM	
FRONT DRIVE GD3 <input type="checkbox"/> SPOOL <input checked="" type="checkbox"/> GB2B <input type="checkbox"/> LOW <input type="checkbox"/> HIGH <input checked="" type="checkbox"/>	
DIFF. OIL	DIFF WASHERS
DOGBONE DRIVE ST17 <input type="checkbox"/> ST11 <input checked="" type="checkbox"/> ST12 <input type="checkbox"/> BB <input type="checkbox"/> ST02 <input type="checkbox"/>	
WHEELHUB AM06WL <input checked="" type="checkbox"/> AM06S-M <input type="checkbox"/> AM06W <input type="checkbox"/>	

SHOCKS SET	
ROTOR STD <input checked="" type="checkbox"/>	<input type="checkbox"/>
SPRING STD <input checked="" type="checkbox"/>	S <input type="checkbox"/>
DAMPER D2.2 <input checked="" type="checkbox"/>	<input type="checkbox"/>
ACTION SYM. <input type="checkbox"/>	ASYM. <input type="checkbox"/>
SRS/RHS ARR. I <input type="checkbox"/>	II <input checked="" type="checkbox"/>

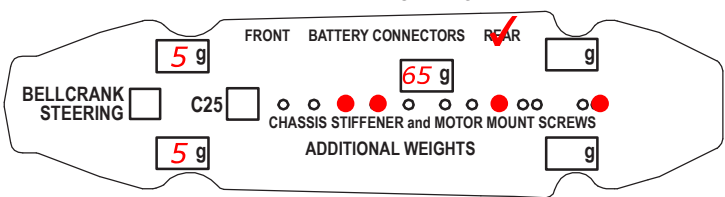
REAR



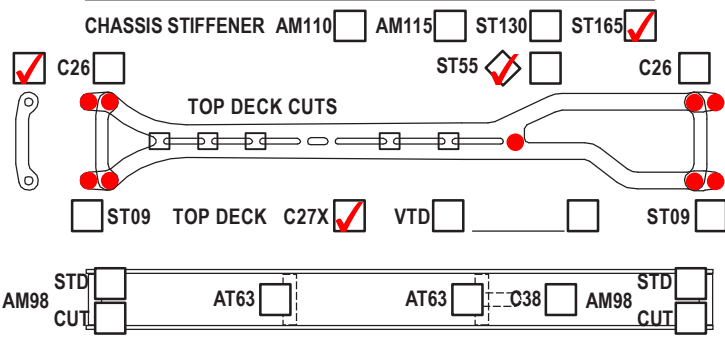
CAMBER ANGLE / °	-2
CASTER ANGLE / °	4 Short
TOE ANGLE / °	2
RIDE HEIGHT / MM	5.4
DOWNSTOP / MM	4.6
UPWNSTOP / MM	
STABILIZER Ø / MM	1.1
LOW ARM C04M1 <input checked="" type="checkbox"/>	<input type="checkbox"/>
STEER. ARM AM23 <input checked="" type="checkbox"/>	<input type="checkbox"/>
WHEEL SPACER / MM	
REAR DRIVE GD3R <input type="checkbox"/> GB2B <input type="checkbox"/> LOW <input type="checkbox"/> HIGH <input checked="" type="checkbox"/>	
DIFF. OIL 10k	DIFF WASHERS Stock
DOGBONE DRIVE ST11 <input checked="" type="checkbox"/> ST12 <input type="checkbox"/> BB <input type="checkbox"/> ST17 <input type="checkbox"/> EVD <input type="checkbox"/>	
WHEELHUB AM06WL <input checked="" type="checkbox"/> AM06S-M <input type="checkbox"/> AM06W <input type="checkbox"/>	

SHOCKS SET	
ROTOR STD <input checked="" type="checkbox"/>	<input type="checkbox"/>
SPRING STD <input checked="" type="checkbox"/>	S <input type="checkbox"/>
DAMPER D2.2 <input checked="" type="checkbox"/>	<input type="checkbox"/>
ACTION SYM. <input type="checkbox"/>	ASYM. <input type="checkbox"/>
SRS/RHS ARR. I <input checked="" type="checkbox"/>	II <input type="checkbox"/>

FRAME FLEX SETTING



LOWER DECK **A800X 2.2mm**



FL	FR	RL	RR	TIRES	FRONT	REAR
[Tire Icons]				BRAND	Solaris 36J	
				INSERTS		
				WHEELS		
				ADDITIVE	Tire Tweak	

MOTOR LATERAL SHIFT / MM	0	ACKERMANN SHIMS / MM	2.2
MOTOR	R1 V15 4.5	SERVO	R1
SPUR 114 PINION 28 RATIO	7.74	STEER TRAVEL IN	OUT
BODY	LTCR LW	BATTERY	R1 6000
WING	Standard	RECEIVER	Sanwa
ESC	R1 Digital 2	RADIO	M12
ESC SETTING			
BEST LAP TIME		QUALIF./FINAL POSITION	/
CONTACT			

COMMENTS
AT21+0.5S in FF set wide
AM19-4 in rear
Center brace shimmed up .5mm