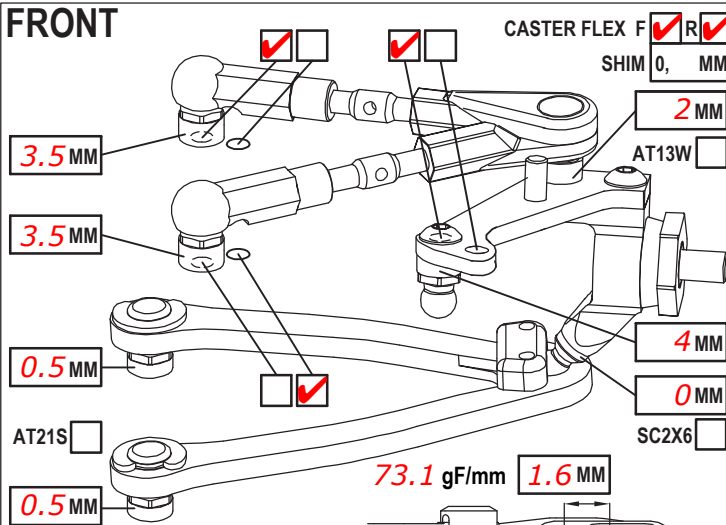


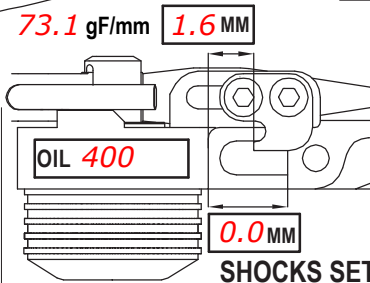
NAME *Billy Fletcher*
COUNTRY *UK*
RACE *Clubmans final round*
TRACK *Eastbourne*

DATE *24/09/17* TEMP. °C AIR/TRACK *18°C / C*
ASPHALT (OUTDOOR INDOOR CARPET
TRACK CONDITION TECHNICAL MIXED FAST
TRACTION LOW MEDIUM HIGH

FRONT

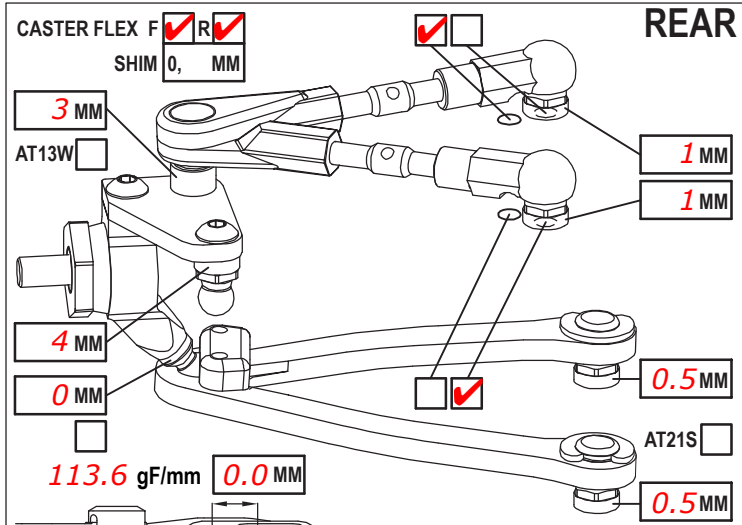


CAMBER ANGLE / °	<i>1.75</i>
CASTER ANGLE / °	<i>4</i>
TOE ANGLE / °	<i>0.1 out</i>
RIDE HEIGHT / MM	<i>5.2</i>
DOWNSTOP / MM	<i>5.4</i>
UPWNSTOP / MM	
STABILIZER Ø / MM	<i>1.1</i>
LOW ARM	C04M1 <input type="checkbox"/>
STEER. ARM	AM14A <input type="checkbox"/>
WHEEL SPACER / MM	
FRONT DRIVE	GD3 <input type="checkbox"/> SPOOL <input checked="" type="checkbox"/> GB2B <input type="checkbox"/> LOW <input checked="" type="checkbox"/> HIGH <input type="checkbox"/>
DIFF. OIL	
DOGBONE DRIVE	ST17 <input type="checkbox"/> ST11 <input type="checkbox"/> ST12 <input type="checkbox"/> BB <input type="checkbox"/> ST02 <input type="checkbox"/>
WHEELHUB	AM06WL <input type="checkbox"/> AM06S-M <input type="checkbox"/> AM06W <input type="checkbox"/> <i>Kit</i>

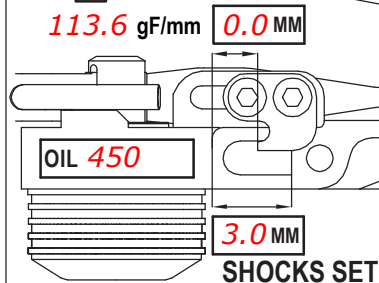


ROTOR	STD <input checked="" type="checkbox"/>
SPRING	STD <input type="checkbox"/>
DAMPER	D2.2 <input checked="" type="checkbox"/>
ACTION	SYM. <input checked="" type="checkbox"/> ASYM. <input type="checkbox"/>
SRS/RHS ARR.	I <input checked="" type="checkbox"/> II <input type="checkbox"/>

REAR

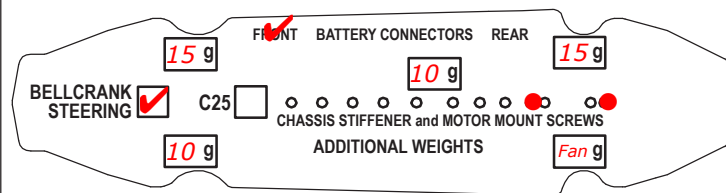


CAMBER ANGLE / °	<i>2.0</i>
CASTER ANGLE / °	<i>0</i>
TOE ANGLE / °	<i>2.5</i>
RIDE HEIGHT / MM	<i>5.4</i>
DOWNSTOP / MM	<i>4.4</i>
UPWNSTOP / MM	
STABILIZER Ø / MM	<i>1.2</i>
LOW ARM	C04M1 <input type="checkbox"/>
STEER. ARM	AM23 <input type="checkbox"/>
WHEEL SPACER / MM	
REAR DRIVE	GD3R <input type="checkbox"/> GB2B <input type="checkbox"/> LOW <input checked="" type="checkbox"/> HIGH <input type="checkbox"/>
DIFF. OIL	<i>3k</i>
DOGBONE DRIVE	ST11 <input type="checkbox"/> ST12 <input type="checkbox"/> BB <input type="checkbox"/> ST17 <input type="checkbox"/> EVD <input type="checkbox"/>
WHEELHUB	AM06WL <input type="checkbox"/> AM06S-M <input type="checkbox"/> AM06W <input type="checkbox"/> <i>Kit</i>

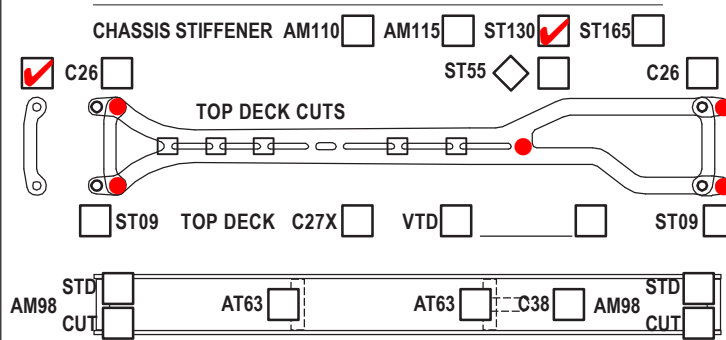


ROTOR	STD <input checked="" type="checkbox"/>
SPRING	STD <input type="checkbox"/>
DAMPER	D2.2 <input checked="" type="checkbox"/>
ACTION	SYM. <input checked="" type="checkbox"/> ASYM. <input type="checkbox"/>
SRS/RHS ARR.	I <input checked="" type="checkbox"/> II <input type="checkbox"/>

FRAME FLEX SETTING



LOWER DECK *STD*



TIRES	FRONT	REAR
BRAND	<i>Schumacher sorex</i>	
INSERTS	<i>Pre glue</i>	
WHEELS	<i>Pre glue</i>	
ADDITIVE	<i>FX2 (15 mins)</i>	

MOTOR LATERAL SHIFT / MM	ACKERMANN SHIMS / MM <i>0.5</i>
MOTOR <i>Maclan MMR 17.5</i>	SERVO <i>SRT</i>
SPUR <i>74</i> PINION <i>36</i> RATIO <i>3.91</i>	STEER TRAVEL IN <i>OUT 29</i>
BODY <i>LTCR LW 3mm forward</i>	BATTERY <i>IP 6000 LIHV</i>
WING <i>STD wing 2mm forward</i>	RECEIVER <i>Sanwa</i>
ESC <i>Maclan MMax 160</i>	RADIO <i>Sanwa</i>
ESC SETTING <i>Factory blinky drive frequency changed to 4</i>	
BEST LAPTIME <i>12.57</i>	QUALIF./FINAL POSITION <i>1 / 1</i>
CONTACT <i>Billy.tr22@gmail.com</i>	

COMMENTS

Standard 800x centre brace. 0.5mm wider front arms
No arm sweep
15g on battery. 1360g total weight
Med flex brace used at front