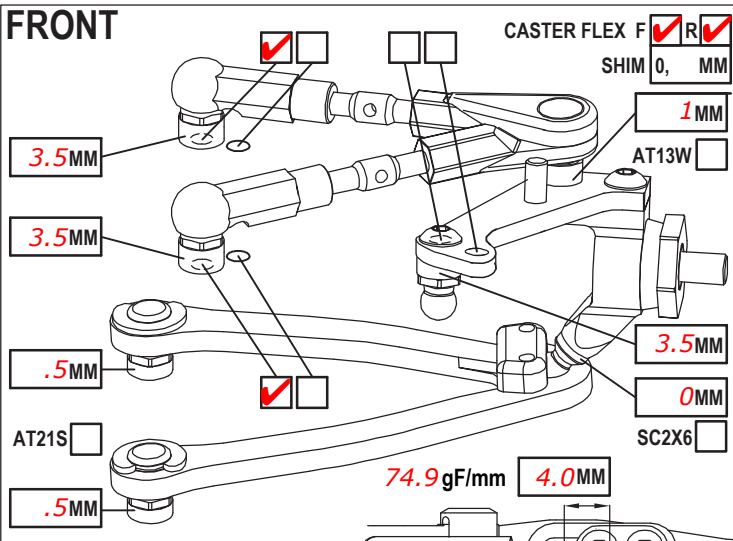


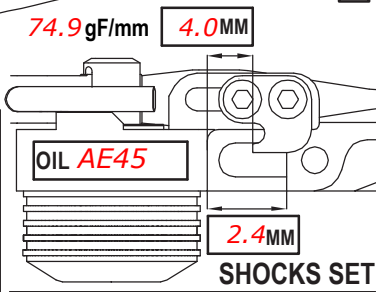
NAME *Art Scrimo*  
 COUNTRY *USA*  
 RACE *USIC*  
 TRACK *Cleveland*

DATE *11/26/2017* TEMP. °C AIR / TRACK °C / °C  
 ASPHALT  (OUTDOOR  INDOOR ) CARPET   
 TRACK CONDITION TECHNICAL  MIXED  FAST   
 TRACTION LOW  MEDIUM  HIGH

### FRONT

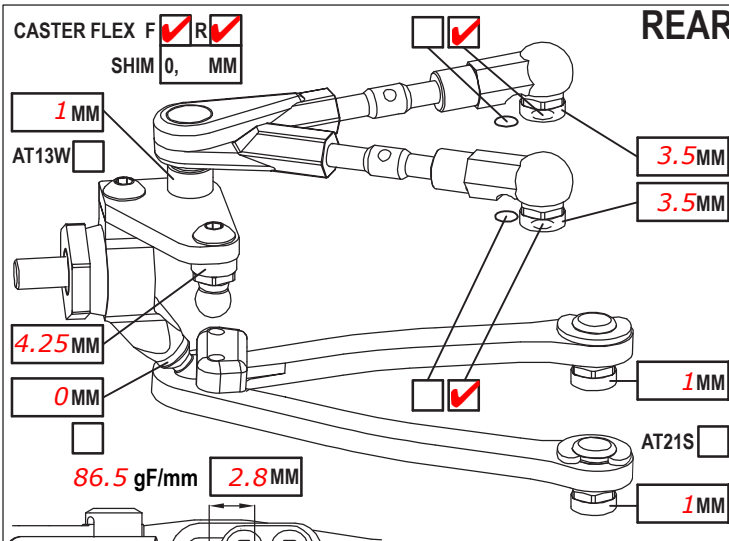


CASTER FLEX F	<input checked="" type="checkbox"/> R	<input checked="" type="checkbox"/>
SHIM 0, MM	1MM	
AT13W	<input type="checkbox"/>	
SC2X6	<input type="checkbox"/>	
CAMBER ANGLE / °	<i>-1.5</i>	
CASTER ANGLE / °	<i>4</i>	
TOE ANGLE / °	<i>.5 OUT</i>	
RIDE HEIGHT / MM	<i>5.5</i>	
DOWNSTOP / MM	<i>1.5MM ORH</i>	
UPWNSTOP / MM		
STABILIZER Ø / MM	<i>1.2</i>	
LOW ARM C04M1	<input type="checkbox"/>	<input checked="" type="checkbox"/> AXARM
STEER. ARM AM14A	<input checked="" type="checkbox"/>	<input type="checkbox"/>
WHEEL SPACER / MM	<i>0</i>	
FRONT DRIVE GD3	<input type="checkbox"/>	<input checked="" type="checkbox"/> SPOOL
GB2B	<input type="checkbox"/>	<input checked="" type="checkbox"/> LOW
HIGH	<input type="checkbox"/>	
DIFF. OIL	DIFF WASHERS	
DOGBONE DRIVE ST17	<input checked="" type="checkbox"/>	ST11 <input type="checkbox"/>
ST12	<input type="checkbox"/>	BB <input type="checkbox"/>
ST02	<input type="checkbox"/>	
WHEELHUB AM06WL	<input checked="" type="checkbox"/>	AM06S-M <input type="checkbox"/>
AM06W	<input type="checkbox"/>	

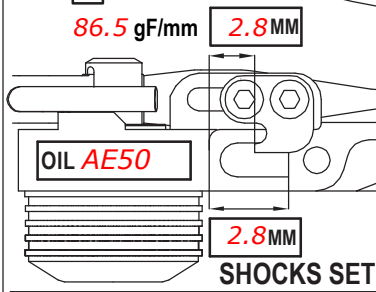


ROTOR	STD	<input checked="" type="checkbox"/>	<input type="checkbox"/>
SPRING	STD	<input type="checkbox"/>	<input checked="" type="checkbox"/> S
DAMPER	D2.2	<input checked="" type="checkbox"/>	<input type="checkbox"/>
ACTION	SYM.	<input checked="" type="checkbox"/>	ASYM. <input type="checkbox"/>
SRS/RHS ARR.	I	<input checked="" type="checkbox"/>	II <input type="checkbox"/>

### REAR

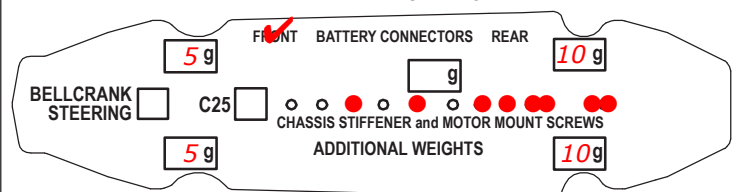


CASTER FLEX F	<input checked="" type="checkbox"/> R	<input checked="" type="checkbox"/>
SHIM 0, MM	1MM	
AT13W	<input type="checkbox"/>	
SC2X6	<input type="checkbox"/>	
CAMBER ANGLE / °	<i>-2</i>	
CASTER ANGLE / °	<i>0</i>	
TOE ANGLE / °	<i>-2.5</i>	
RIDE HEIGHT / MM	<i>5.5</i>	
DOWNSTOP / MM	<i>2MM ORH</i>	
UPWNSTOP / MM		
STABILIZER Ø / MM	<i>1.1</i>	
LOW ARM C04M1	<input type="checkbox"/>	<input checked="" type="checkbox"/> AXARM
STEER. ARM AM23	<input checked="" type="checkbox"/>	<input type="checkbox"/>
WHEEL SPACER / MM	<i>0</i>	
REAR DRIVE GD3R	<input type="checkbox"/>	<input checked="" type="checkbox"/> GB2B
LOW	<input type="checkbox"/>	HIGH <input checked="" type="checkbox"/>
DIFF. OIL AE7K	DIFF WASHERS	
DOGBONE DRIVE ST11	<input checked="" type="checkbox"/>	ST12 <input type="checkbox"/>
BB	<input type="checkbox"/>	ST17 <input type="checkbox"/>
EVD	<input type="checkbox"/>	
WHEELHUB AM06WL	<input checked="" type="checkbox"/>	AM06S-M <input type="checkbox"/>
AM06W	<input type="checkbox"/>	

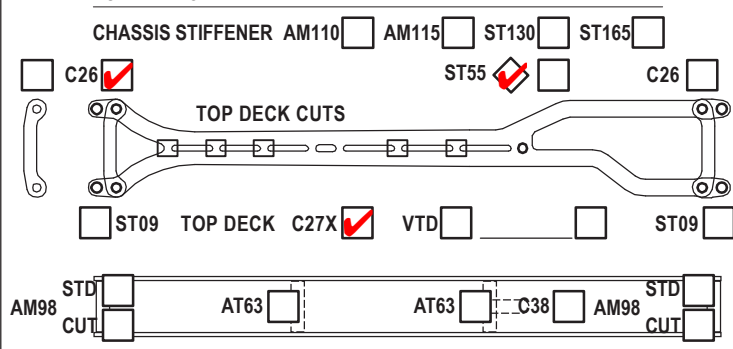


ROTOR	STD	<input checked="" type="checkbox"/>	<input type="checkbox"/>
SPRING	STD	<input type="checkbox"/>	<input checked="" type="checkbox"/> S
DAMPER	D2.2	<input checked="" type="checkbox"/>	<input type="checkbox"/>
ACTION	SYM.	<input checked="" type="checkbox"/>	ASYM. <input type="checkbox"/>
SRS/RHS ARR.	I	<input checked="" type="checkbox"/>	II <input type="checkbox"/>

### FRAME FLEX SETTING



### LOWER DECK



TIRES	FRONT	REAR
BRAND	<i>SWEEP</i>	
INSERTS	<i>SWEEP</i>	
WHEELS	<i>SWEEP</i>	
ADDITIVE	<i>SXT 3.0 5-7 MINS</i>	

MOTOR LATERAL SHIFT / MM	ACKERMANN SHIMS / MM <i>0</i>
MOTOR <i>MOSTER MAX CERT</i>	SERVO <i>KO RSXONE10</i>
SPUR <i>96</i> PINION <i>46</i> RATIO <i>3.97</i>	STEER TRAVEL IN OUT
BODY <i>BITTY M410 ULW</i>	BATTERY <i>R1 8400</i>
WING <i>STOCK ULW</i>	RECEIVER <i>SANWA RX-481</i>
ESC <i>REEDY 510R</i>	RADIO <i>SANWA M12RS</i>
ESC SETTING	
BEST LAP TIME	QUALIF./FINAL POSITION /
CONTACT	

COMMENTS: *Running DL, LS1 Steering Rack, aluminum battery holders with BC1, Xray servo saver, Lundsford screws and turnbuckles, Avid Ti ball studs and Xray ball cups. Car was very good all weekend even when grip got really greasy.*