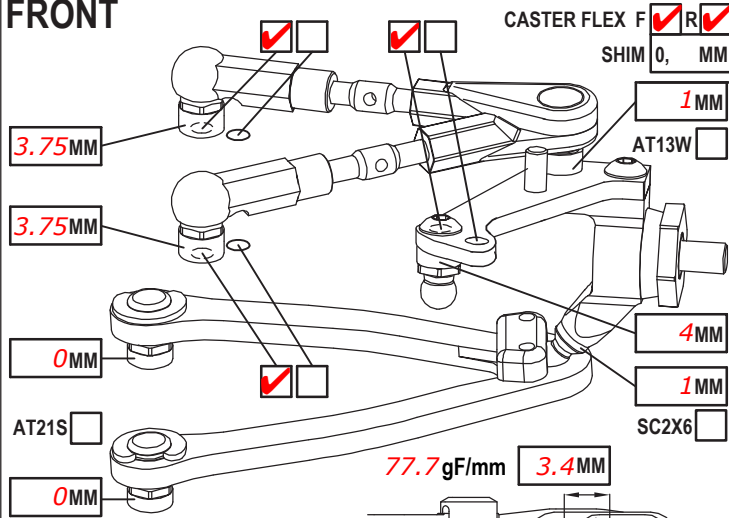


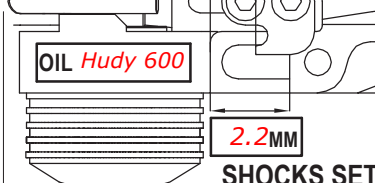
NAME *Art Scrimo (USGT)*  
COUNTRY *USA*  
RACE *ROAR Carpet Nats 2018*  
TRACK *Apex RC*

DATE *3/14/2018* TEMP. °C AIR / TRACK °C / °C  
 ASPHALT  (OUTDOOR  INDOOR ) CARPET   
 TRACK CONDITION TECHNICAL  MIXED  FAST   
 TRACTION LOW  MEDIUM  HIGH

## FRONT

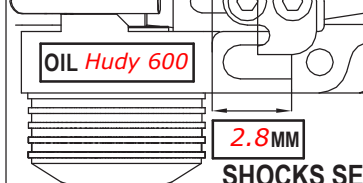
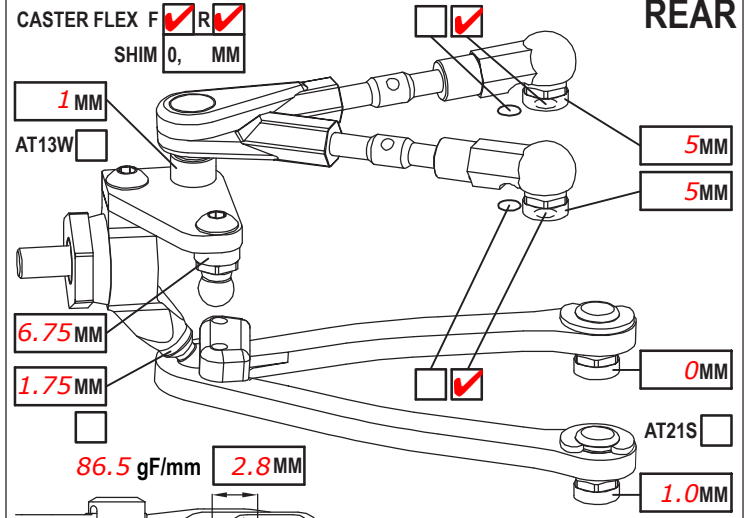


CAMBER ANGLE / ° *-1*  
 CASTER ANGLE / ° *4deg*  
 TOE ANGLE / ° *.5 out*  
 RIDE HEIGHT / MM *5.5mm*  
 DOWNSTOP / MM  
 UPWNSTOP / MM *1.5 ORH*  
 STABILIZER Ø / MM *1.1mm*  
 LOW ARM C04M1  *AL*   
 STEER. ARM AM14A  *LS*   
 WHEEL SPACER / MM  
 FRONT DRIVE GD3  SPOOL  GB2B  LOW  HIGH   
 DIFF. OIL DIFF WASHERS  
 DOGBONE DRIVE ST17  ST11  ST12  BB  ST02   
 WHEELHUB AM06WL  AM06S-M  AM06W



ROTOR STD   
 SPRING STD  S   
 DAMPER D2.2   
 ACTION SYM.  ASYM.   
 SRS/RHS ARR. I  II

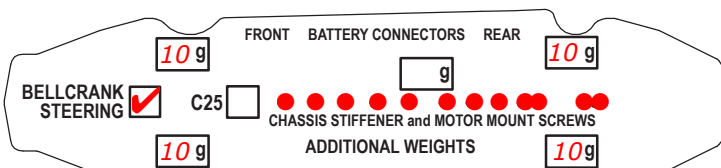
## REAR



ROTOR STD   
 SPRING STD  S   
 DAMPER D2.2   
 ACTION SYM.  ASYM.   
 SRS/RHS ARR. I  II

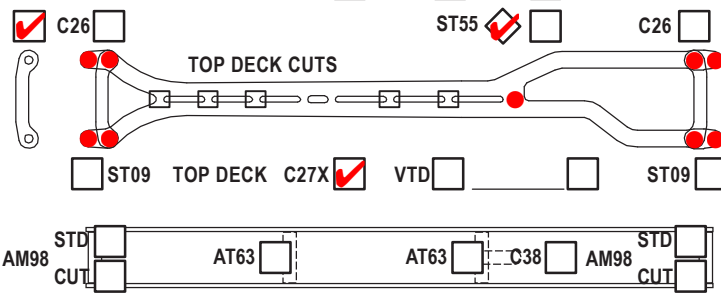
CAMBER ANGLE / ° *-1.5*  
 CASTER ANGLE / ° *1 long*  
 TOE ANGLE / ° *-2.5*  
 RIDE HEIGHT / MM *5.5mm*  
 DOWNSTOP / MM  
 UPWNSTOP / MM *2.0 ORH*  
 STABILIZER Ø / MM *1.0mm*  
 LOW ARM C04M1  *AL*   
 STEER. ARM AM23   
 WHEEL SPACER / MM  
 REAR DRIVE GD3R  GB2B  LOW  HIGH   
 DIFF. OIL *AE 7K* DIFF WASHERS  
 DOGBONE DRIVE ST11  ST12  BB  ST17  EVD   
 WHEELHUB AM06WL  AM06S-M  AM06W

## FRAME FLEX SETTING



LOWER DECK *A800XA Chassis with stock brace*

CHASSIS STIFFENER AM110  AM115  ST130  ST165



TIRES	FRONT	REAR
BRAND	<i>Gravity</i>	
INSERTS		
WHEELS		
ADDITIVE	<i>SXT 3.0</i>	

MOTOR LATERAL SHIFT / MM  
 MOTOR *TEAMEAM Monster 21.5*  
 SPUR *96* PINION *1* RATIO *182.40*  
 BODY *P-Zero*  
 WING *Stock*  
 ESC *Hobbywing XR10 Pro*  
 ESC SETTING *Good ones*  
 BEST LAP TIME *11.0* QUALIF./FINAL POSITION *1 / 1*  
 CONTACT  
 ACKERMANN SHIMS / MM *0*  
 SERVO *Sanwa SSG Program*  
 STEER TRAVEL IN *24* OUT  
 BATTERY *TEAMEAM 6000*  
 RECEIVER *Sanwa 482*  
 RADIO *Sanwa M12RS*

COMMENTS *Bellcrank Steering, No DL, Xray Servo Saver, MRT Transponder next to receiver, SXT 3.0 for five minutes full sauce, 59.5 Front glue, 58.5 Rear glue, Progressive front springs at 4.0mm.*