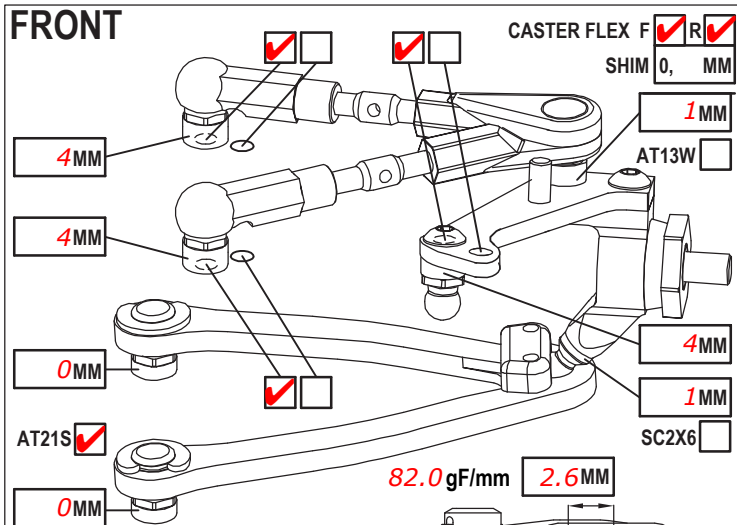


NAME *Art Scrimo (21.5 Sedan)*
 COUNTRY *USA*
 RACE *ROAR Carpet Nationals 2018*
 TRACK *Apex RC*

DATE *3/14/2018* TEMP. °C AIR / TRACK °C / °C
 ASPHALT (OUTDOOR INDOOR) CARPET
 TRACK CONDITION TECHNICAL MIXED FAST
 TRACTION LOW MEDIUM HIGH

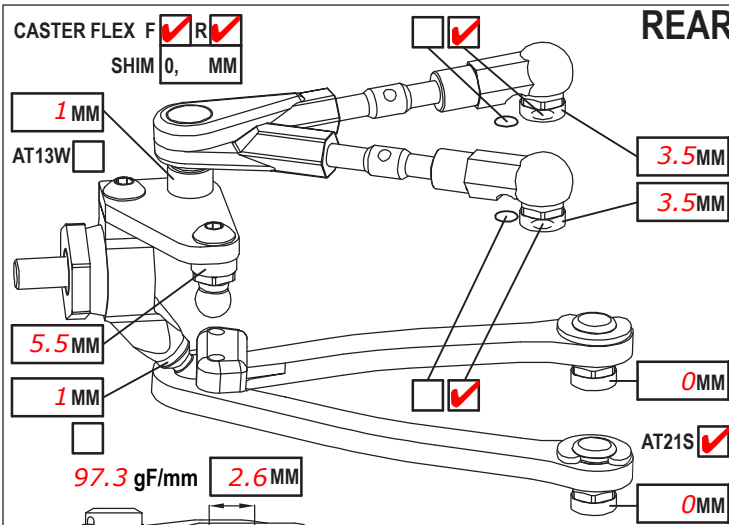
FRONT



CAMBER ANGLE / °	-1
CASTER ANGLE / °	4deg
TOE ANGLE / °	.5 out
RIDE HEIGHT / MM	5.2mm
DOWNSTOP / MM	
UPWNSTOP / MM	1.5 ORH
STABILIZER Ø / MM	1.2mm
LOW ARM	C04M1 <input type="checkbox"/> AL+.5 <input checked="" type="checkbox"/>
STEER. ARM	AM14A <input type="checkbox"/> LS <input checked="" type="checkbox"/>
WHEEL SPACER / MM	0
FRONT DRIVE	GD3 <input type="checkbox"/> SPOOL <input checked="" type="checkbox"/> GB2B <input type="checkbox"/> LOW <input checked="" type="checkbox"/> HIGH <input type="checkbox"/>
DIFF. OIL	DIFF WASHERS
DOGBONE DRIVE	ST17 <input type="checkbox"/> ST11 <input type="checkbox"/> ST12 <input type="checkbox"/> BB <input type="checkbox"/> ST02 <input type="checkbox"/>
WHEELHUB	AM06WL <input checked="" type="checkbox"/> AM06S-M <input type="checkbox"/> AM06W <input type="checkbox"/>

SHOCKS SET	
ROTOR	STD <input checked="" type="checkbox"/>
SPRING	STD <input type="checkbox"/> S <input checked="" type="checkbox"/>
DAMPER	D2.2 <input checked="" type="checkbox"/>
ACTION	SYM. <input checked="" type="checkbox"/> ASYM. <input type="checkbox"/>
SRS/RHS ARR.	I <input checked="" type="checkbox"/> II <input type="checkbox"/>

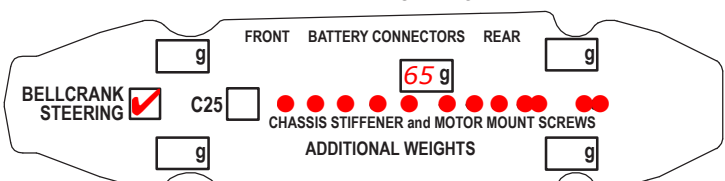
REAR



CAMBER ANGLE / °	-1.5
CASTER ANGLE / °	0
TOE ANGLE / °	-2.5
RIDE HEIGHT / MM	5.4mm
DOWNSTOP / MM	
UPWNSTOP / MM	2.0 ORH
STABILIZER Ø / MM	1.1mm
LOW ARM	C04M1 <input type="checkbox"/> AL+.5 <input checked="" type="checkbox"/>
STEER. ARM	AM23 <input checked="" type="checkbox"/>
WHEEL SPACER / MM	0
REAR DRIVE	GD3R <input checked="" type="checkbox"/> GB2B <input type="checkbox"/> LOW <input type="checkbox"/> HIGH <input checked="" type="checkbox"/>
DIFF. OIL	DIFF WASHERS
DOGBONE DRIVE	ST11 <input type="checkbox"/> ST12 <input type="checkbox"/> BB <input type="checkbox"/> ST17 <input checked="" type="checkbox"/> EVD <input type="checkbox"/>
WHEELHUB	AM06WL <input checked="" type="checkbox"/> AM06S-M <input type="checkbox"/> AM06W <input type="checkbox"/>

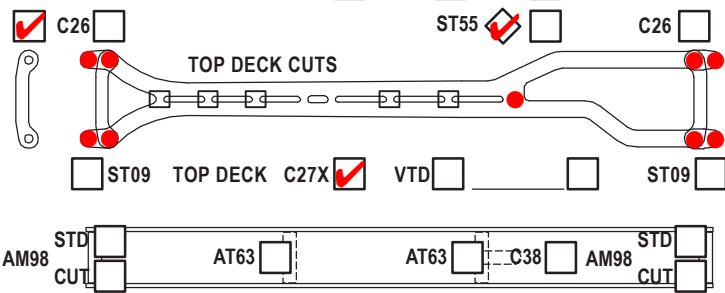
SHOCKS SET	
ROTOR	STD <input checked="" type="checkbox"/>
SPRING	STD <input type="checkbox"/> S <input checked="" type="checkbox"/>
DAMPER	D2.2 <input checked="" type="checkbox"/>
ACTION	SYM. <input checked="" type="checkbox"/> ASYM. <input type="checkbox"/>
SRS/RHS ARR.	I <input checked="" type="checkbox"/> II <input type="checkbox"/>

FRAME FLEX SETTING



LOWER DECK *A800XA Chassis with 65 Brace*

CHASSIS STIFFENER AM110 AM115 ST130 ST165



TIRES		FRONT	REAR
BRAND		GRAVITY	
INSERTS			
WHEELS			
ADDITIVE		SXT 3.0	

MOTOR LATERAL SHIFT / MM	ACKERMANN SHIMS / MM 0
MOTOR <i>TEAMEAM Monster 21.5</i>	SERVO <i>Sanwa SSG Program</i>
SPUR <i>96</i> PINION <i>1</i> RATIO <i>182.40</i>	STEER TRAVEL IN <i>24</i> OUT
BODY <i>Bitty M410 ULT</i>	BATTERY <i>TEAMEAM 6000</i>
WING <i>Stock</i>	RECEIVER <i>Sanwa 481</i>
ESC <i>Hobbywing</i>	RADIO <i>Sanwa M12RS</i>
ESC SETTING <i>Good ones</i>	
BEST LAP TIME <i>10.8</i>	QUALIF./FINAL POSITION <i>5</i> / <i>2</i>
CONTACT	

COMMENTS *Bellcrank Steering, No DL, Xray Servo Saver, MRT Transponder next to receiver, SXT 3.0 for five minutes full sauce, 59.5 Front glue, 58.5 Rear glue, IFJ in Front, Progressive front springs at 4.0mm.*