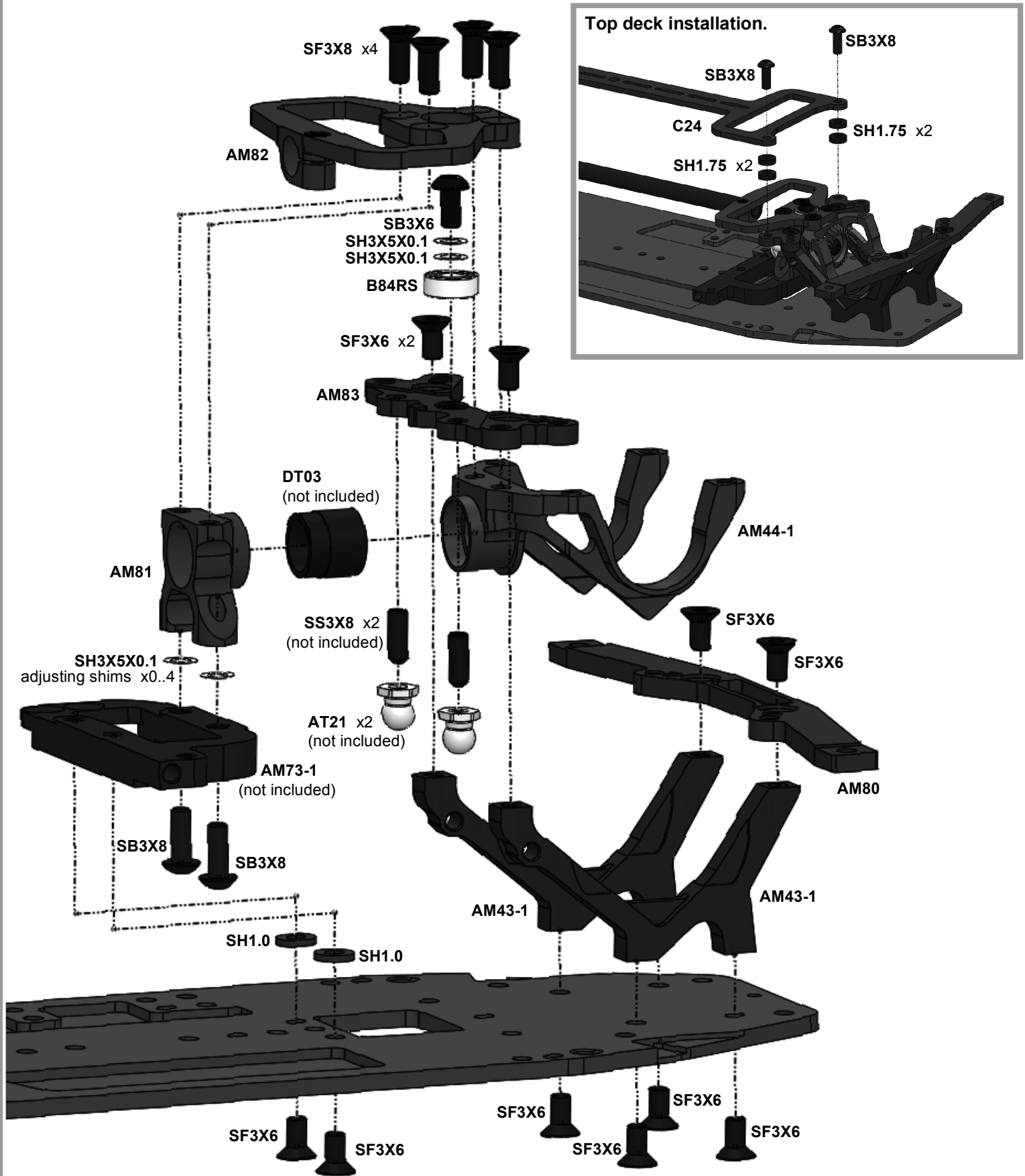


Rear Floating Gearbox set (RFG) assembly diagram.



Note: 1. **AM73-1, DT03, AT21, SS3X8** are the parts of the car kit.

2. Adjust the height position of **AM83/DT03/AM44-1** unit for correct frictionless operation of **RFG**. Use the appropriate amount of **SH3X5X0.1** shims for this.