

NAME _____
 RACE _____
 TRACK _____
 COUNTRY _____ CLASS _____

DATE _____ TEMPERATURE AIR / TRACK °C / °C
 SURFACE ASPHALT OUTDOOR INDOOR CARPET
 TRACK CONDITIONS BUMPY FLAT TECHNICAL MIXED FAST
 TRACTION LOW MEDIUM HIGH

STEERING HUB POST
 ST1208-C4S ST1208-C5AL
 ST1208-C5S ST1208-C5AL
 ST1208-C6S ST1208-C6AL
 CAMBER _____ °

SUSPENSION PLATE
 C1205-X C1205AFS
 C1205-ZT C1205AFS-1.5
 C1205-X-1.5 C1205AFS-5.0
 C1205-6.0 OTHER _____

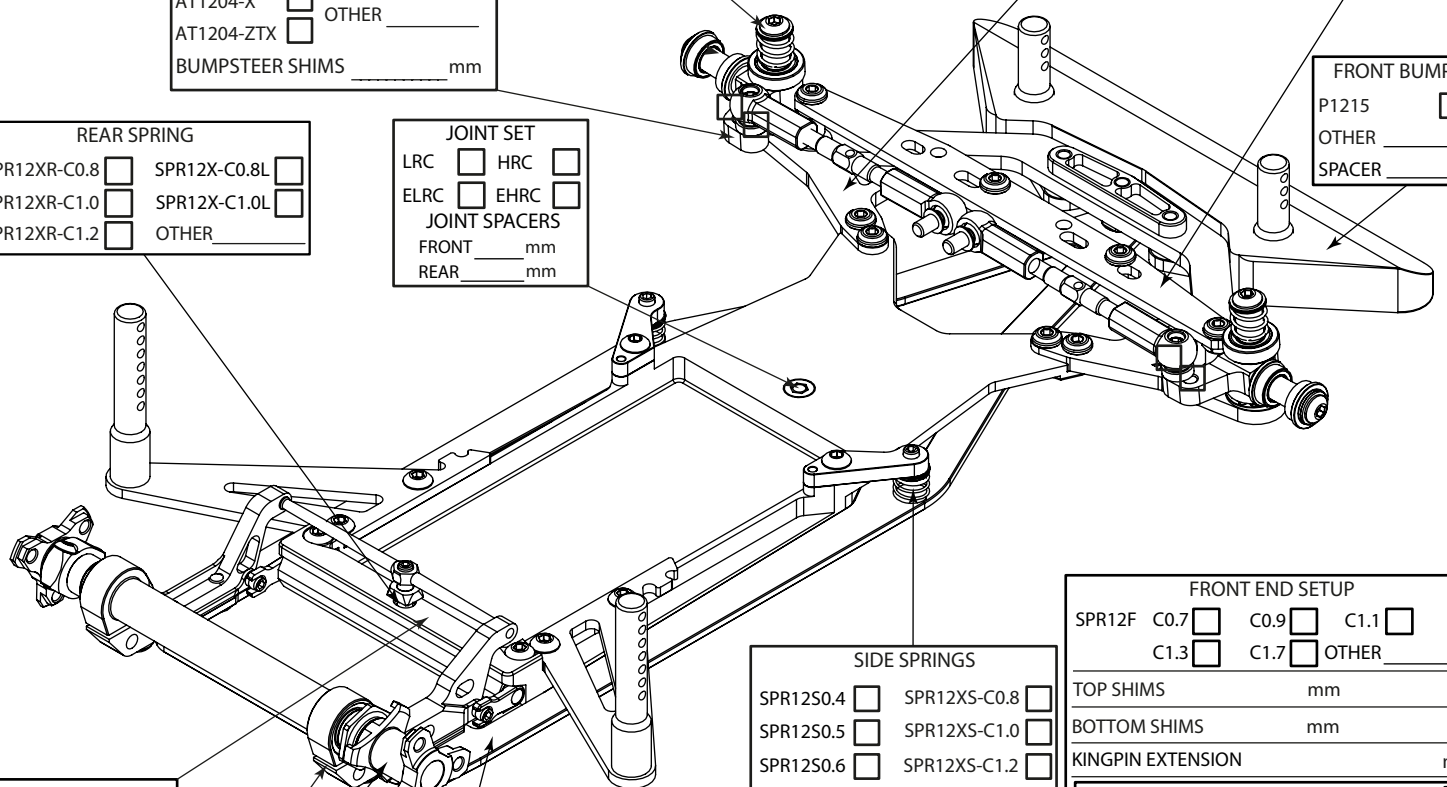
SERVO PLATE
 C1201-X C1201AFS
 C1201-ZT C1201AFS-1.5
 C1201 C1201AFS-5.0
 OTHER _____

STEERING BLOCKS
 AT1204-X OTHER _____
 AT1204-ZTX
 BUMPSTEER SHIMS _____ mm

REAR SPRING
 SPR12XR-C0.8 SPR12X-C0.8L
 SPR12XR-C1.0 SPR12X-C1.0L
 SPR12XR-C1.2 OTHER _____

JOINT SET
 LRC HRC
 ELRC EHRC
JOINT SPACERS
 FRONT _____ mm
 REAR _____ mm

FRONT BUMPER
 P1215
 OTHER _____
 SPACER _____ mm



DAMPER OIL
 OR14V YES NO

RIDE HEIGHT SPACERS _____ mm

REAR AXLE
 SSS SPOOL BALL DIFF
 CS-1 SPOOL GEAR DIFF
 CARBON BRAND _____
 STEEL OIL _____

OUTER FRAME
 AM1204X-ST
 AM1204X-STS
 AM1204WC
 AM1204XT

SIDE SPRINGS
 SPR12S0.4 SPR12XS-C0.8
 SPR12S0.5 SPR12XS-C1.0
 SPR12S0.6 SPR12XS-C1.2
 OTHER _____
 SIDE SPRING SHIMS _____ mm
 SIDE SPRING GAP _____ mm

FRONT END SETUP
 SPR12F C0.7 C0.9 C1.1
 C1.3 C1.7 OTHER _____
 TOP SHIMS _____ mm _____ pcs
 BOTTOM SHIMS _____ mm _____ pcs
 KINGPIN EXTENSION _____ mm
ADJUSTABLE FRONT SUSPENSION (AFS)
 CASTER 3° 4° 5° 6°
 CAMBER _____ ° DROOP _____ mm
 SPRING PRELOAD _____ mm
 O-RINGS 0pcs 1pcs 2pcs
 O-RING TYPE _____
 GREASE _____

FRONT RIDE HEIGHT (FRH)	mm	FRONT DROOP (FD)	mm
REAR RIDE HEIGHT (RRH)	mm	REAR DOWNSTOP (RD)	mm
GAP UNDER DAMPER (GUD)	mm	TRACK WIDTH	
DOWNSTOP NUT GAP (DNG)	mm	FRONT	mm
SPRING ROD HEIGHT (SRH)	mm	REAR	mm

BATTERY
 BATTERY PLUGS FRONT BACK
 SERVO POSITION LEFT RIGHT
 ESC POSITION LEFT RIGHT

SERVO
 SERVO SAVER _____
 SHIMS ON SERVO SAVER _____ mm
 TOE OUT _____ °
 STEER. TRAVEL IN _____ ° OUT _____ °

TIRES	FRONT	REAR	FRONT _____ mm		REAR _____ mm
BRAND					
TYPE					
DIAMETER	mm	mm			
GLUED SIDEWALLS	FRONT <input type="checkbox"/>	REAR <input type="checkbox"/>	TIME	min	TIME
				min	

MOTOR
 SPUR PINION ROLLOUT _____
 ESC _____
 ESC SETTINGS _____
 BODY _____
 BEST LAP TIME _____

TOTAL WEIGHT
 F/R WEIGHT DISTRIBUTION _____
 RECEIVER _____
 RADIO _____
 REAR BODY HEIGHT (SIDE DAMS) _____ mm
 QUALIF / FINAL POSITION _____ / _____

COMMENTS:
