

NAME \_\_\_\_\_  
 RACE \_\_\_\_\_  
 TRACK \_\_\_\_\_  
 COUNTRY \_\_\_\_\_ CLASS \_\_\_\_\_

DATE \_\_\_\_\_ TEMPERATURE AIR / TRACK °C / °C  
 SURFACE ASPHALT  OUTDOOR  INDOOR  CARPET   
 TRACK CONDITIONS BUMPY  FLAT  TECHNICAL  MIXED  FAST   
 TRACTION LOW  MEDIUM  HIGH

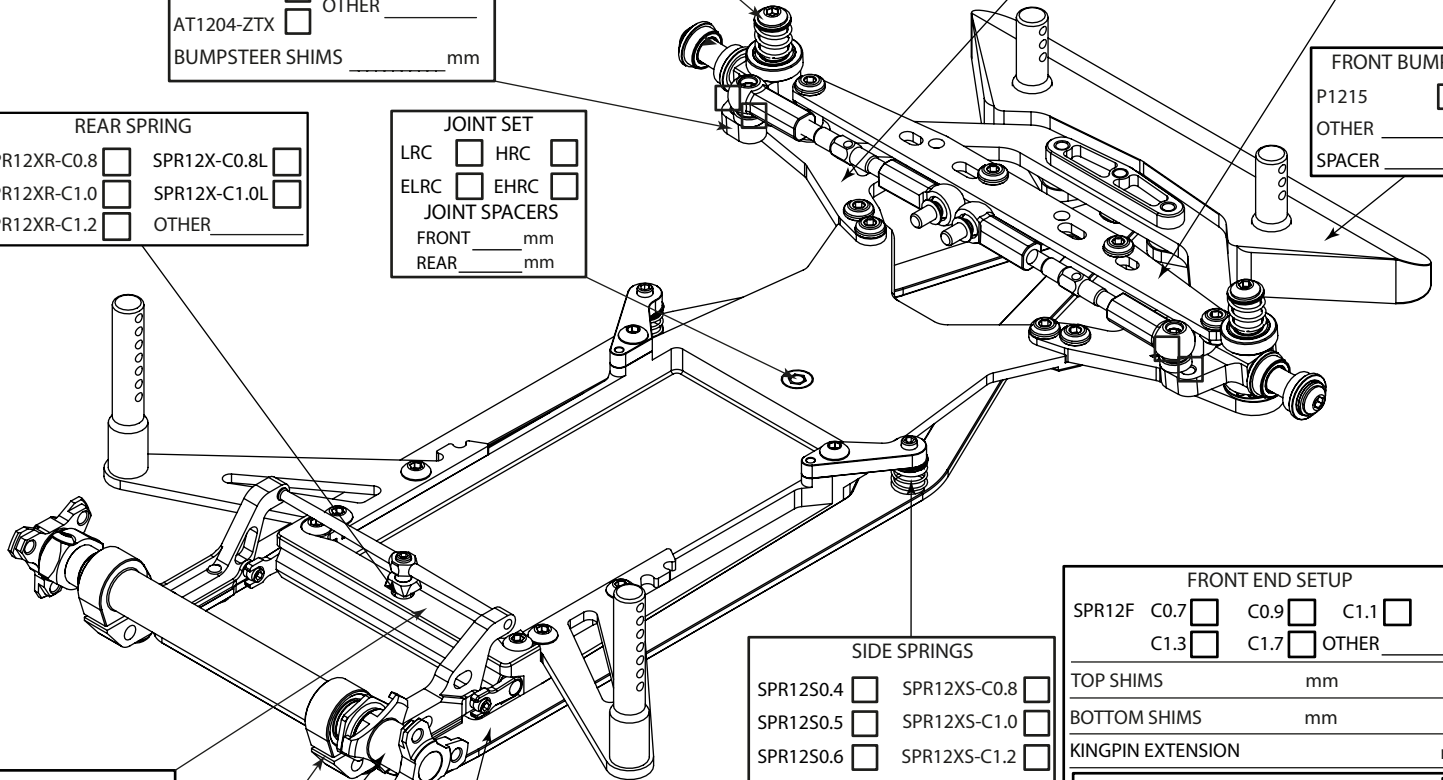
<b>STEERING HUB POST</b> ST1208-C4S <input type="checkbox"/> ST1208-C5AL <input type="checkbox"/> ST1208-C5S <input type="checkbox"/> ST1208-C5AL <input type="checkbox"/> ST1208-C6S <input type="checkbox"/> ST1208-C6AL <input type="checkbox"/> CAMBER _____ °		<b>SUSPENSION PLATE</b> C1205-X <input type="checkbox"/> C1205AFS <input type="checkbox"/> C1205-ZT <input type="checkbox"/> C1205AFS-1.5 <input type="checkbox"/> C1205-X-1.5 <input type="checkbox"/> C1205AFS-5.0 <input type="checkbox"/> C1205-6.0 <input type="checkbox"/> OTHER _____		<b>SERVO PLATE</b> C1201-X <input type="checkbox"/> C1201AFS <input type="checkbox"/> C1201-ZT <input type="checkbox"/> C1201AFS-1.5 <input type="checkbox"/> C1201 <input type="checkbox"/> C1201AFS-5.0 <input type="checkbox"/> OTHER _____	
--	--	--	--	--	--

**STEERING BLOCKS**  
 AT1204-X  OTHER \_\_\_\_\_  
 AT1204-ZTX   
 BUMPSTEER SHIMS \_\_\_\_\_ mm

**REAR SPRING**  
 SPR12XR-C0.8  SPR12X-C0.8L   
 SPR12XR-C1.0  SPR12X-C1.0L   
 SPR12XR-C1.2  OTHER \_\_\_\_\_

**JOINT SET**  
 LRC  HRC   
 ELRC  EHRC   
**JOINT SPACERS**  
 FRONT \_\_\_\_\_ mm  
 REAR \_\_\_\_\_ mm

**FRONT BUMPER**  
 P1215   
 OTHER \_\_\_\_\_  
 SPACER \_\_\_\_\_ mm



**DAMPER OIL**  
 OR14V YES  NO

**RIDE HEIGHT SPACERS** \_\_\_\_\_ mm

**REAR AXLE**  
 SSS SPOOL  BALL DIFF   
 CS-1 SPOOL  GEAR DIFF   
 CARBON  BRAND \_\_\_\_\_  
 STEEL  OIL \_\_\_\_\_

**OUTER FRAME**  
 AM1204X-ST   
 AM1204X-STS   
 AM1204WC   
 AM1204XT

**SIDE SPRINGS**  
 SPR12S0.4  SPR12XS-C0.8   
 SPR12S0.5  SPR12XS-C1.0   
 SPR12S0.6  SPR12XS-C1.2   
 OTHER \_\_\_\_\_  
 SIDE SPRING SHIMS \_\_\_\_\_ mm  
 SIDE SPRING GAP \_\_\_\_\_ mm

**FRONT END SETUP**  
 SPR12F C0.7  C0.9  C1.1   
 C1.3  C1.7  OTHER \_\_\_\_\_  
 TOP SHIMS \_\_\_\_\_ mm \_\_\_\_\_ pcs  
 BOTTOM SHIMS \_\_\_\_\_ mm \_\_\_\_\_ pcs  
 KINGPIN EXTENSION \_\_\_\_\_ mm  
**ADJUSTABLE FRONT SUSPENSION (AFS)**   
 CASTER 3°  4°  5°  6°   
 CAMBER \_\_\_\_\_ ° DROOP \_\_\_\_\_ mm  
 SPRING PRELOAD \_\_\_\_\_ mm  
 O-RINGS 0pcs  1pcs  2pcs   
 O-RING TYPE \_\_\_\_\_  
 GREASE \_\_\_\_\_

FRONT RIDE HEIGHT (FRH) _____ mm	FRONT DROOP (FD) _____ mm	
REAR RIDE HEIGHT (RRH) _____ mm	REAR DOWNSTOP (RD) _____ mm	
GAP UNDER DAMPER (GUD) _____ mm	<b>TRACK WIDTH</b>	
DOWNSTOP NUT GAP (DNG) _____ mm		FRONT _____ mm
SPRING ROD HEIGHT (SRH) _____ mm		REAR _____ mm

<b>BATTERY</b>	<b>SERVO</b>
BATTERY PLUGS FRONT <input type="checkbox"/> BACK <input type="checkbox"/>	SERVO SAVER _____
SERVO POSITION LEFT <input type="checkbox"/> RIGHT <input type="checkbox"/>	SHIMS ON SERVO SAVER _____ mm
ESC POSITION LEFT <input type="checkbox"/> RIGHT <input type="checkbox"/>	TOE OUT _____ °
	STEER. TRAVEL IN _____ ° OUT _____ °

TIRES	FRONT	REAR	FRONT _____ mm		REAR _____ mm
BRAND					
TYPE					
DIAMETER	_____ mm	_____ mm			
GLUED SIDEWALLS	FRONT <input type="checkbox"/>	REAR <input type="checkbox"/>	TIME _____ min	TIME _____ min	

<b>MOTOR</b>	<b>TOTAL WEIGHT</b>
SPUR PINION ROLLOUT	F/R WEIGHT DISTRIBUTION
ESC	RECEIVER
ESC SETTINGS	RADIO
BODY	REAR BODY HEIGHT (SIDE DAMS) _____ mm
BEST LAP TIME	QUALIF / FINAL POSITION _____ / _____

**COMMENTS:**

---



---



---