

NAME _____
 RACE _____
 TRACK _____
 COUNTRY _____ CLASS _____

DATE _____ TEMPERATURE AIR / TRACK °C / °C
 SURFACE ASPHALT OUTDOOR INDOOR CARPET
 TRACK CONDITIONS BUMPY FLAT TECHNICAL MIXED FAST
 TRACTION LOW MEDIUM HIGH

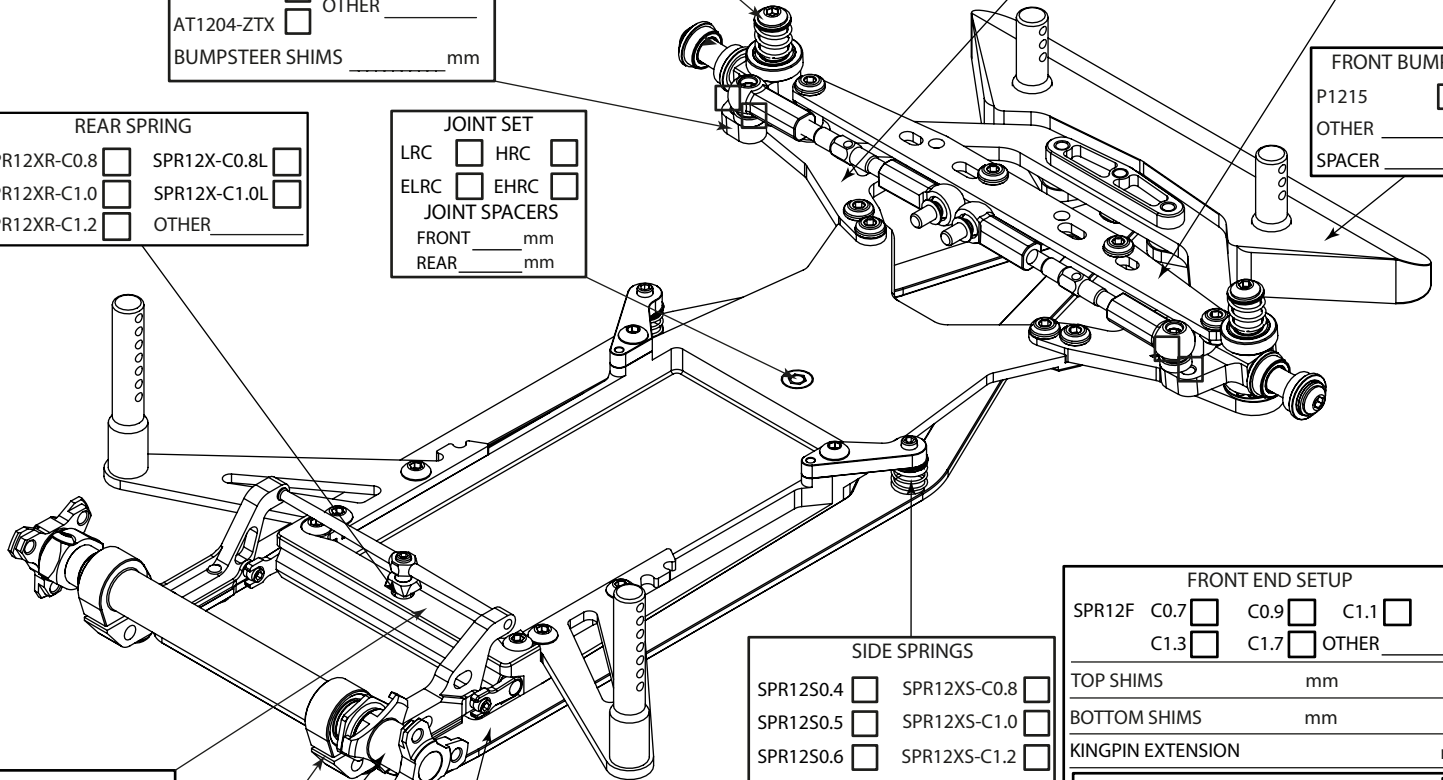
STEERING HUB POST ST1208-C4S <input type="checkbox"/> ST1208-C5AL <input type="checkbox"/> ST1208-C5S <input type="checkbox"/> ST1208-C5AL <input type="checkbox"/> ST1208-C6S <input type="checkbox"/> ST1208-C6AL <input type="checkbox"/> CAMBER _____ °		SUSPENSION PLATE C1205-X <input type="checkbox"/> C1205AFS <input type="checkbox"/> C1205-ZT <input type="checkbox"/> C1205AFS-1.5 <input type="checkbox"/> C1205-X-1.5 <input type="checkbox"/> C1205AFS-5.0 <input type="checkbox"/> C1205-6.0 <input type="checkbox"/> OTHER _____		SERVO PLATE C1201-X <input type="checkbox"/> C1201AFS <input type="checkbox"/> C1201-ZT <input type="checkbox"/> C1201AFS-1.5 <input type="checkbox"/> C1201 <input type="checkbox"/> C1201AFS-5.0 <input type="checkbox"/> OTHER _____	
--	--	--	--	--	--

STEERING BLOCKS
 AT1204-X OTHER _____
 AT1204-ZTX
 BUMPSTEER SHIMS _____ mm

REAR SPRING
 SPR12XR-C0.8 SPR12X-C0.8L
 SPR12XR-C1.0 SPR12X-C1.0L
 SPR12XR-C1.2 OTHER _____

JOINT SET
 LRC HRC
 ELRC EHRC
JOINT SPACERS
 FRONT _____ mm
 REAR _____ mm

FRONT BUMPER
 P1215
 OTHER _____
 SPACER _____ mm



DAMPER OIL
 OR14V YES NO

RIDE HEIGHT SPACERS _____ mm

SIDE SPRINGS
 SPR12S0.4 SPR12XS-C0.8
 SPR12S0.5 SPR12XS-C1.0
 SPR12S0.6 SPR12XS-C1.2
 OTHER _____
 SIDE SPRING SHIMS _____ mm
 SIDE SPRING GAP _____ mm

FRONT END SETUP
 SPR12F C0.7 C0.9 C1.1
 C1.3 C1.7 OTHER _____
 TOP SHIMS _____ mm _____ pcs
 BOTTOM SHIMS _____ mm _____ pcs
 KINGPIN EXTENSION _____ mm
ADJUSTABLE FRONT SUSPENSION (AFS)
 CASTER 3° 4° 5° 6°
 CAMBER _____ ° DROOP _____ mm
 SPRING PRELOAD _____ mm
 O-RINGS 0pcs 1pcs 2pcs
 O-RING TYPE _____
 GREASE _____

REAR AXLE
 SSS SPOOL BALL DIFF
 CS-1 SPOOL GEAR DIFF
 CARBON BRAND _____
 STEEL OIL _____

OUTER FRAME
 AM1204X-ST
 AM1204X-STS
 AM1204WC
 AM1204XT

FRONT RIDE HEIGHT (FRH) _____ mm	FRONT DROOP (FD) _____ mm
REAR RIDE HEIGHT (RRH) _____ mm	REAR DOWNSTOP (RD) _____ mm
GAP UNDER DAMPER (GUD) _____ mm	TRACK WIDTH
DOWNSTOP NUT GAP (DNG) _____ mm	
SPRING ROD HEIGHT (SRH) _____ mm	
	FRONT _____ mm
	REAR _____ mm

BATTERY
 BATTERY PLUGS FRONT BACK
 SERVO POSITION LEFT RIGHT
 ESC POSITION LEFT RIGHT

SERVO
 SERVO SAVER _____
 SHIMS ON SERVO SAVER _____ mm
 TOE OUT _____ °
 STEER. TRAVEL IN _____ ° OUT _____ °

TIRES	FRONT	REAR	TIRE TREAD PATTERN			
BRAND						
TYPE						
DIAMETER	_____ mm	_____ mm	FRONT _____ mm	REAR _____ mm		
GLUED SIDEWALLS	FRONT <input type="checkbox"/>	REAR <input type="checkbox"/>	TIME _____ min	TIME _____ min		

MOTOR
 SPUR _____ PINION _____ ROLLOUT _____
 ESC _____
 ESC SETTINGS _____
 BODY _____
 BEST LAP TIME _____

TOTAL WEIGHT
 F/R WEIGHT DISTRIBUTION _____
 RECEIVER _____
 RADIO _____
 REAR BODY HEIGHT (SIDE DAMS) _____ mm
 QUALIF / FINAL POSITION _____ / _____

COMMENTS:

