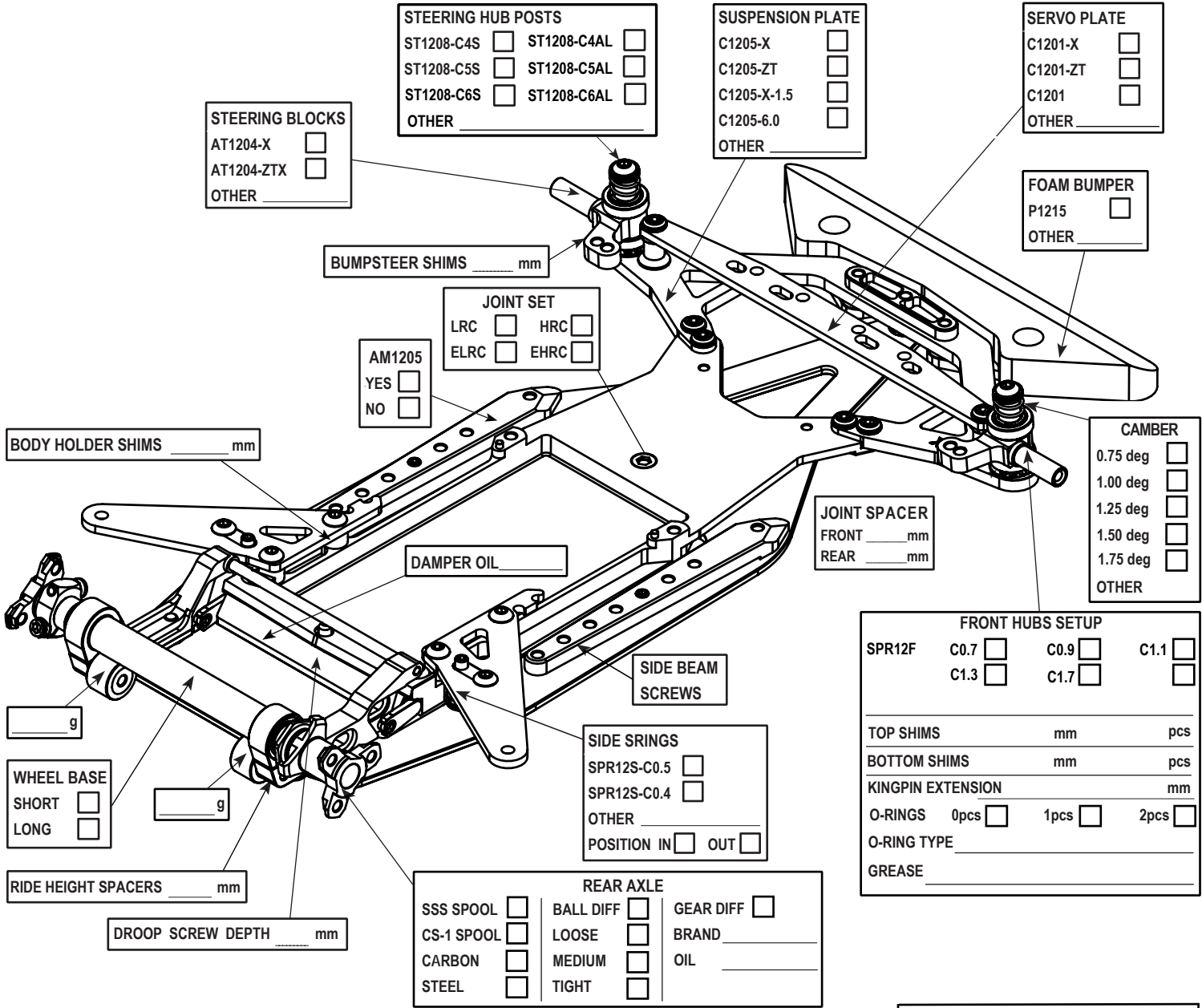


NAME \_\_\_\_\_ DATE \_\_\_\_\_ TEMPERATURE AIR / TRACK °C / °C

COUNTRY \_\_\_\_\_ ASPHALT  OUTDOOR  INDOOR  CARPET

RACE \_\_\_\_\_ TRACK CONDITION BUMPY  FLAT  TECHNICAL  MIXED  FAST

TRACK \_\_\_\_\_ TRACTION LOW  MEDIUM  HIGH



FRONT RIDE HEIGHT (FRH)	mm	FRONT DROOP (FD)	mm
REAR RIDE HEIGHT (RRH)	mm	REAR DOWNSTOP (RD)	mm
GAP UNDER DAMPER (GUD)	mm	<b>TRACK WIDTH</b>	
DROOP SCREW DEPTH (DSD)	mm	FRONT	mm
SPRING RETAINER HEIGHT (SRH)	mm	REAR	mm

<b>BATTERY</b>		<b>SERVO</b>	
BATTERY PLUGS	FRONT <input type="checkbox"/> BACK <input type="checkbox"/>	SERVOSAVER	
SERVO POSITION	LEFT <input type="checkbox"/> RIGHT <input type="checkbox"/>	SHIMS ON SERVOSAVER	
ESC POSITION	LEFT <input type="checkbox"/> RIGHT <input type="checkbox"/>	TOE OUT	
		STEER. TRAVEL IN ° OUT °	

TIRES	FRONT	REAR	FRONT REAR			
BRAND						
TYPE			<b>FRONT REAR</b>			
DIAMETER	mm	mm				
ADDITIVE			TIME	min	TIME	min

MOTOR	TOTAL WEIGHT	g
SPUR PINION ROLLOUT	F/R WEIGHT DISTRIBUTION	
ESC	RECEIVER	
ESC SETTING	RADIO	
BODY	REAR BODY HEIGHT (SIDE DAMS)	mm
BEST LAP TIME	QUALIF. / FINAL POSITION	/

COMMENTS: