

Awesomatix PSS (Progressive Spring System) set - INSTRUCTIONS

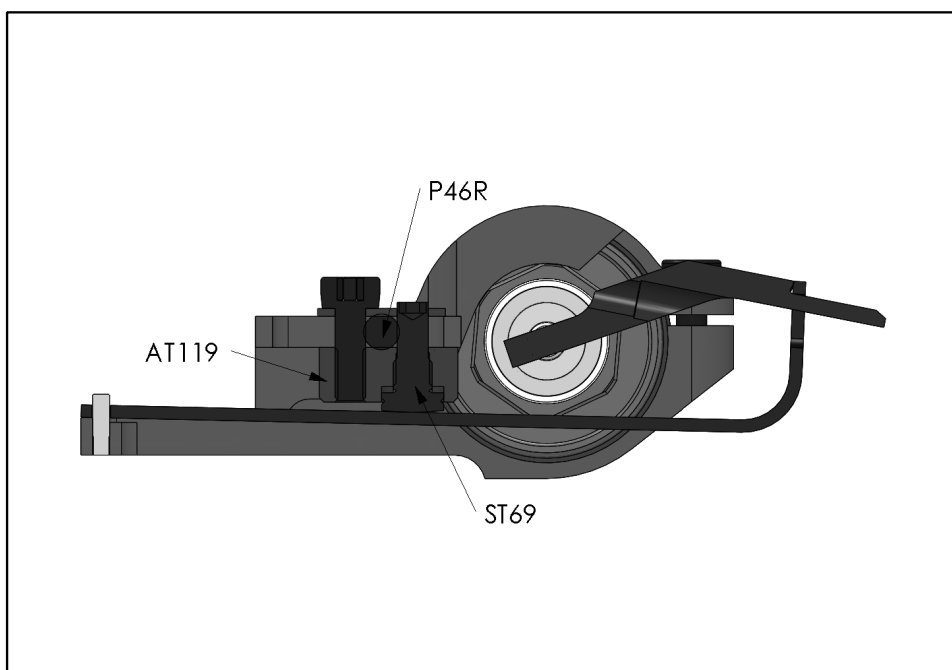
A800-PSS set is designed to add 15% or 25% progressivity into the originally linear action of SPR01S and SPR01 springs in all A700/A800 cars.

With the A800-PSS set the initial action of spring is softer at the beginning of the compression and becomes progressively stiffer when the suspension get compressed during downtravel of the car.

Our tests showed that the car with PSS set at proper settings becomes more easy to drive and more consistent at low-mid traction conditions and especially on outdoor asphalt tracks.

Further advantage of PSS set is using of 7075-T6 alloy for AT119 Shock Screw Holder instead of plastic. It increases the reliability of this element a lot.

Attention! Please use only a well manufactured 1.5mm hex driver for setting ride height via ST69-15 and ST69-25. Hex driver with size even a bit over 1.50mm can destroy the hex holes on screw tips!



At assembling of the PSS set it is important to screw ST69 by fingers into AT119 without using of 1.5mm hex tool. We recommend to use 1.5mm hex tool first after ST69 tip will be inside of the hole of SPR03 shock pointer.

P46R Rubber Ball should be placed in AM17 Damper holder slot , between the SRS and ST69 screw. It's needed to secure the ST69 screw against self-loosening.

Setup:

Included are two different ST69 Spring Screws for different setup options:

ST69-15 = 15% progression screw (without groove on the round head)

ST69-25 = 25% progression screw (with a groove on the round head as indicator)

25% or 15% progression is recommended for using on front suspension.

15% progression can be useful also on rear suspension at certain conditions in conjunction with 25% or 15% progression on front.

The initial spring rate value (B-Gap) needs to be 0.4-1.0mm softer compared to P09/P09X Shock screw holder.