



Driver: Steffen Stein

Date: 04.02.2018

Track: Racing Center Leipzig, ETS Carpet

Event: HLC 2018

Qualify:

TQ:

Mains: A

Finish: 1

Best Lap Times: 15,3s

Track Info:

Size: Small Medium
Large X-Large

Surface: Carpet Asphalt
Indoor Outdoor

Traction: Low Medium
High Wet

Condition: Bumpy Smooth

Temperature: Ambient Track

Vehicle Info:

Body: JConcepts Layla L1 LMP

Weight:

Notes:

Shocks:

Piston: 3x1.1

Fluid: LRP 50 WT

Spring: Yokomo pink

Rebound: 1mm

Pre Load: 3,8mm

Free Length: 63,3mm

Notes: turn shock 180° to manual

Diff Setting:

Loose Medium Tight

Electronics:

Radio: Sanwa

Servo: Sanwa

EPA: Throttle: 100 % Brake: 65 %

ESC: LRP Flow Competition

ESC Settings:

Motor: LRP X20 21.5T

Timing: Fixtiting

Pinion: 33 **Spur:** 96

Battery: LRP Graphene-2 4600

Notes:

Tires:

Front Tires: Hudy

Front Insert:

Rear Tire: Hudy

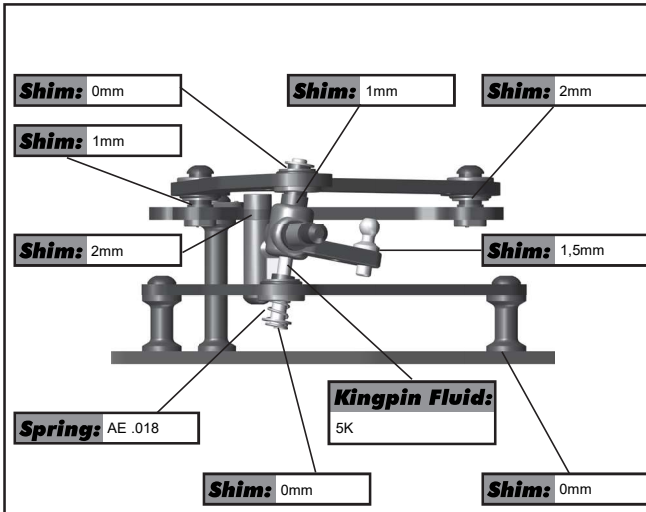
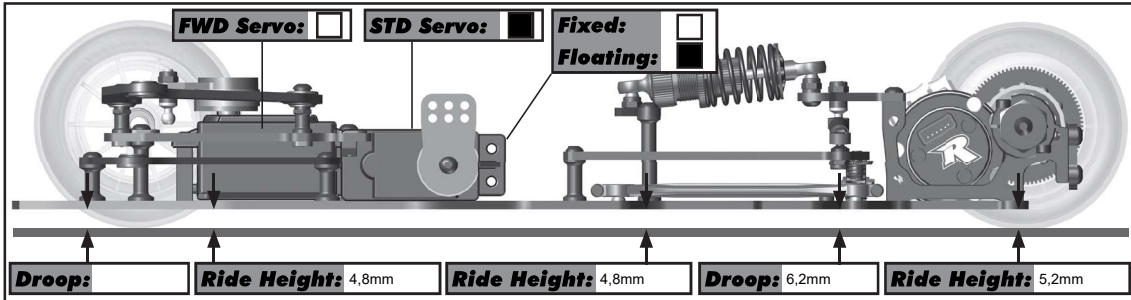
Rear Insert:

Wheel (F/R):

Notes:

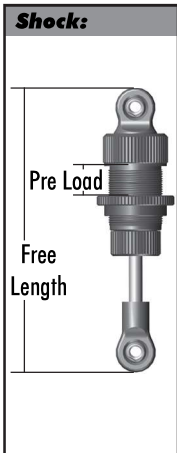
	Left	Right
Front Tire Additive:		
Additive Time:	8min	
Rear Tire Additive:		
Additive Time:	10min	

RESET



Camber: 1.0° 1.5° 2.0° 2.5°
Plastic:
Aluminum:

Caster: 3° 6° 9° 12°
Plastic:
Aluminum:



Side Spring:

Pre Load: 1,3mm

Spring: AE blue

Damper Tube:

Fluid: 10K

Rear Wing Height:

Axle Height: 1.0 0.75 0.5 0.25 0 0.25 0.5 0.75 1.0 STD + 1mm

Rear Wing Angle:

Shim: 0mm **Shim:** 0,5mm
Shim: 0mm **Shim:** 0mm **Shim:**

