

Track Info:

Size: Small Medium
 Large X-Large

Surface: Carpet Asphalt
 Indoor Outdoor

Traction: Low Medium
 High Wet

Condition: Bumpy Smooth

Temperature: Ambient Track

Vehicle Info:

Body: Jconcepts Layla LMP

Weight: 1140g

Notes:

Shocks:

Piston: 3x1.1

Fluid: Asso 40WT

Spring: Yokomo pink

Rebound: 0mm

Pre Load: 2,9mm

Free Length: 63,6mm

Notes: 2mm shim on shock shaft

Diff Setting:

Loose Medium Tight

Electronics:

Radio: Sanwa M12

Servo: Snwa SRG-BLS

EPA: Throttle: 100 % Brake: 75 %

ESC: LRP Flow Competition

ESC Settings:

Motor: LRP X20 21.5T

Timing: Fixtiming

Pinion: 33 **Spur:** 96

Battery: LRP Graphene 2 4600

Notes: steering 26°

Tires:

Front Tires: Hudy

Front Insert:

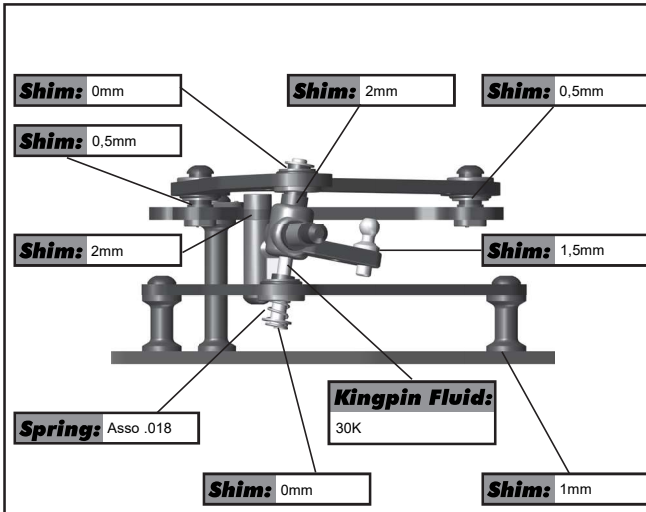
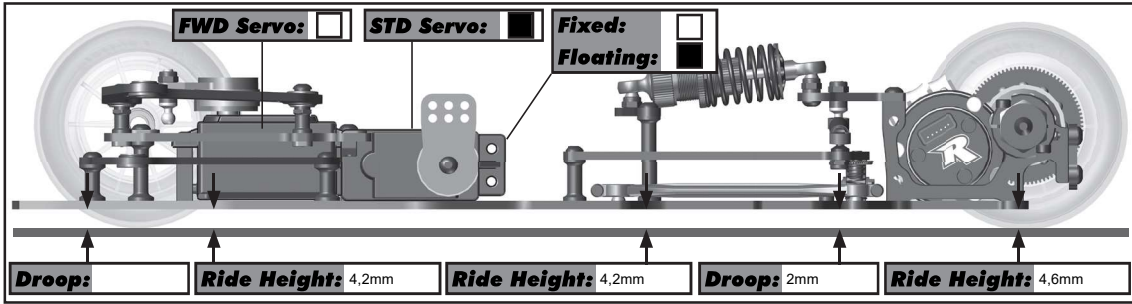
Rear Tire: Hudy

Rear Insert:

Wheel (F/R):

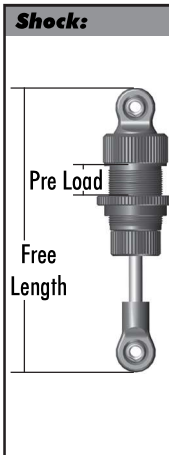
Notes:

	Left	Right
Front Tire Additive:		
Additive Time:	15min	
Rear Tire Additive:		
Additive Time:	15min	



Camber: 1.0° 1.5° 2.0° 2.5°
Plastic:
Aluminum:

Caster: 3° 6° 9° 12°
Plastic:
Aluminum:



Side Spring:

Pre Load: 2mm

Spring: Asso blue

Damper Tube:

Fluid: LRP 50K

Rear Wing Height:

Axle Height: 1.0 0.75 0.5 0.25 0 0.25 0.5 0.75 1.0 STD + 1mm

Rear Wing Angle:

Shim: 0mm **Shim:** 0,5mm
Shim: 0mm **Shim:** 0mm **Shim:**

