

**Track Info:**

**Size:**  
 Small  Medium  Large  X-Large

**Surface:**  
 Carpet  Asphalt  Indoor  Outdoor

**Traction:**  
 Low  Medium  High  Wet

**Condition:** Bumpy  Smooth

**Temperature:** Ambient \_\_\_\_\_ Track \_\_\_\_\_

**Notes:**

**Vehicle Info:**

**Body:** \_\_\_\_\_

**Weight:** \_\_\_\_\_

**Notes:**

**Shock:**

**Piston:** \_\_\_\_\_

**Fluid:** \_\_\_\_\_

**Spring:** \_\_\_\_\_

**Rebound:** \_\_\_\_\_

**Pre Load:** \_\_\_\_\_

**Free Length:** \_\_\_\_\_

**Notes:**

**Electronics:**

**Radio:** \_\_\_\_\_

**Servo:** \_\_\_\_\_

**EPA:** Throttle: \_\_\_\_\_ % Brake: \_\_\_\_\_ %

**ESC:** \_\_\_\_\_

**ESC Settings:** \_\_\_\_\_

**Motor:** \_\_\_\_\_

**Timing:** \_\_\_\_\_

**Pinion:** \_\_\_\_\_ **Spur:** \_\_\_\_\_

**Battery:** \_\_\_\_\_

**Notes:**

**Tires:**

**Front Tires:** \_\_\_\_\_

**Front Insert:** \_\_\_\_\_

**Rear Tire:** \_\_\_\_\_

**Rear Insert:** \_\_\_\_\_

**Wheel (F/R):** \_\_\_\_\_

**Notes:**

**Front Tire Additive:**

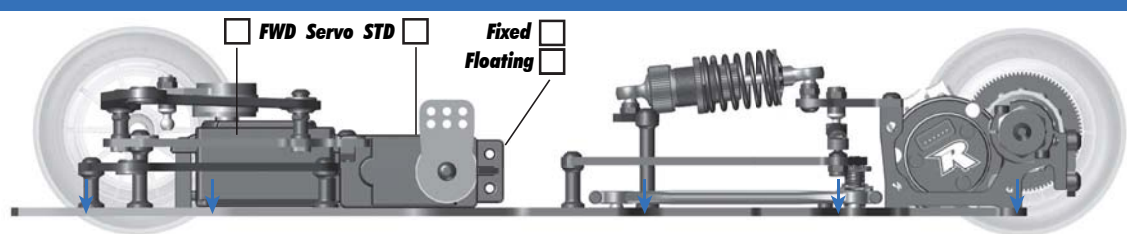
Left  Right

**Additive Time:** \_\_\_\_\_

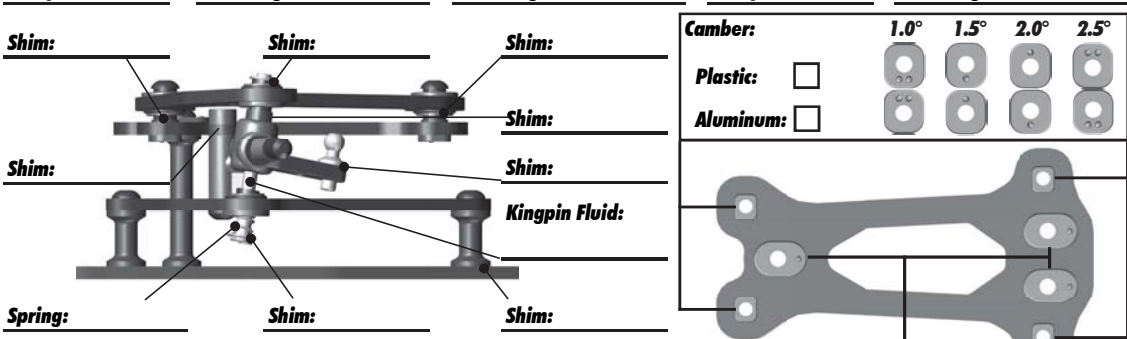
**Rear Tire Additive:**

Left  Right

**Additive Time:** \_\_\_\_\_

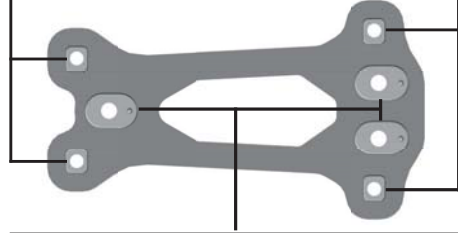


**Droop:** \_\_\_\_\_ **Ride Height:** \_\_\_\_\_ **Ride Height:** \_\_\_\_\_ **Droop:** \_\_\_\_\_ **Ride Height:** \_\_\_\_\_



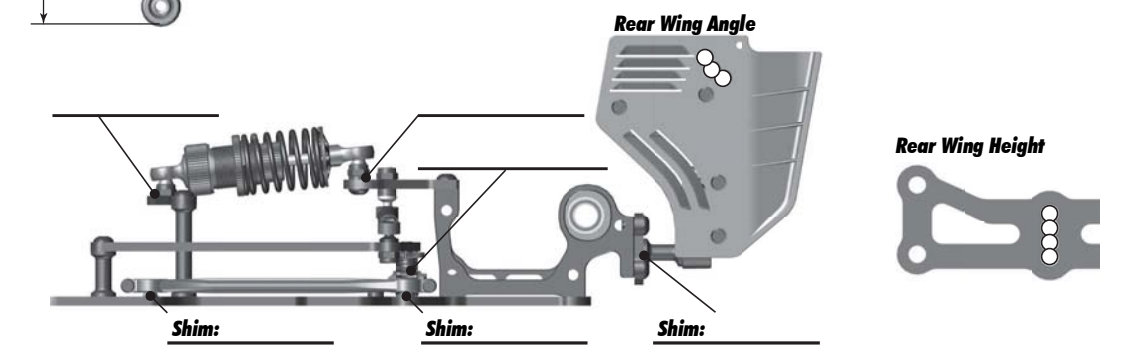
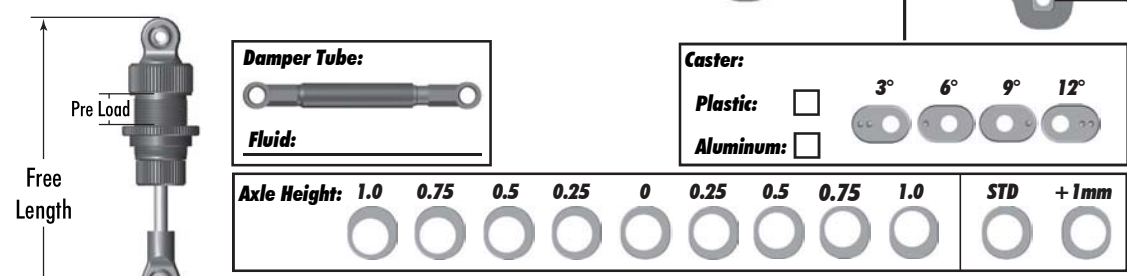
**Camber:**

	1.0°	1.5°	2.0°	2.5°
<b>Plastic:</b>	<input type="checkbox"/>	<input type="checkbox"/>	<input type="checkbox"/>	<input type="checkbox"/>
<b>Aluminum:</b>	<input type="checkbox"/>	<input type="checkbox"/>	<input type="checkbox"/>	<input type="checkbox"/>



**Caster:**

	3°	6°	9°	12°
<b>Plastic:</b>	<input type="checkbox"/>	<input type="checkbox"/>	<input type="checkbox"/>	<input type="checkbox"/>
<b>Aluminum:</b>	<input type="checkbox"/>	<input type="checkbox"/>	<input type="checkbox"/>	<input type="checkbox"/>



**Width:** \_\_\_\_\_ **Axle Shim:** \_\_\_\_\_ **Axle Shim:** \_\_\_\_\_ **Width:** \_\_\_\_\_

