

Track Info:

Size:
 Small Medium Large X-Large

Surface:
 Carpet Asphalt Indoor Outdoor

Traction:
 Low Medium High Wet

Condition: Bumpy Smooth

Temperature: Ambient _____ Track _____

Notes: _____

Vehicle Info:

Body: _____

Weight: _____

Notes: _____

Shock:

Piston: _____

Fluid: _____

Spring: _____

Rebound: _____

Pre Load: _____

Free Length: _____

Notes: _____

Electronics:

Radio: _____

Servo: _____

EPA: Throttle: _____ % Brake: _____ %

ESC: _____

ESC Settings: _____

Motor: _____

Timing: _____

Pinion: _____ **Spur:** _____

Battery: _____

Notes: _____

Tires:

Front Tires: _____

Front Insert: _____

Rear Tire: _____

Rear Insert: _____

Wheel (F/R): _____

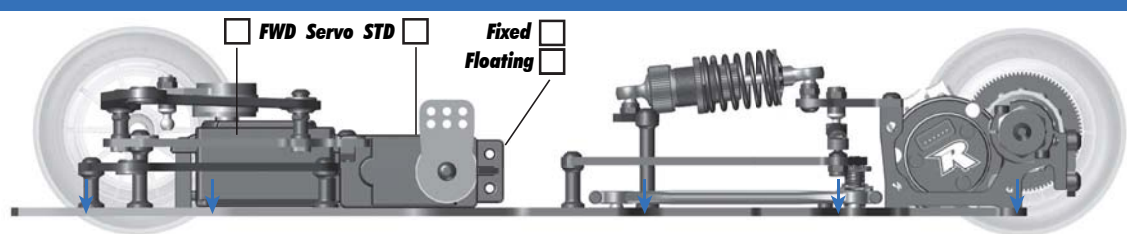
Notes: _____

Front Tire Additive:

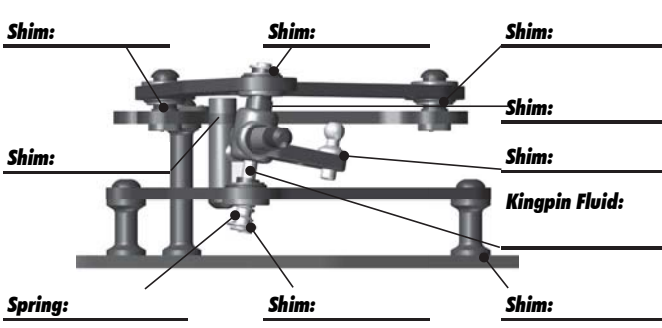
Additive Time: _____

Rear Tire Additive:

Additive Time: _____



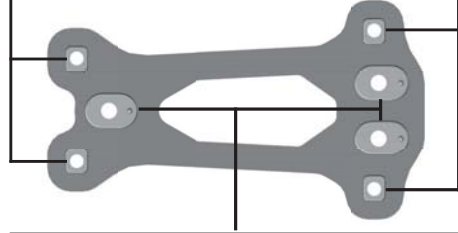
Droop: _____ **Ride Height:** _____ **Ride Height:** _____ **Droop:** _____ **Ride Height:** _____



Camber: 1.0° 1.5° 2.0° 2.5°

Plastic:

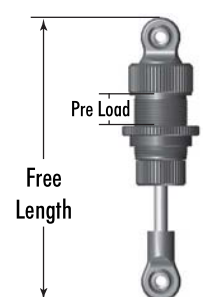
Aluminum:



Caster: 3° 6° 9° 12°

Plastic:

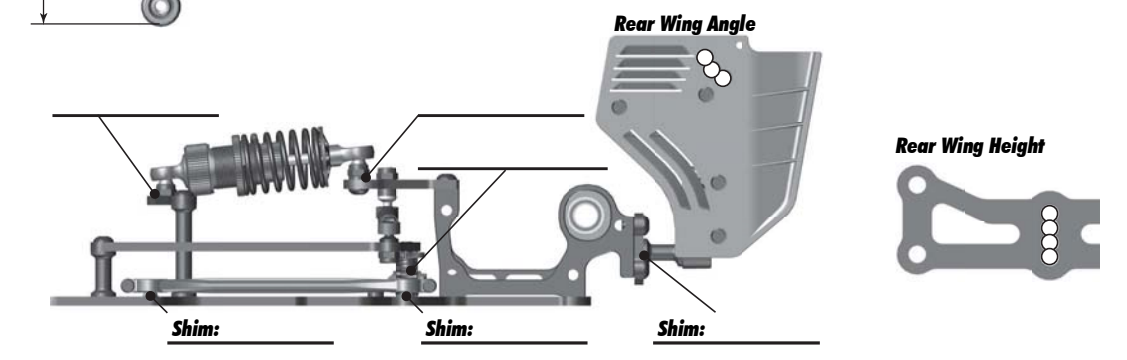
Aluminum:



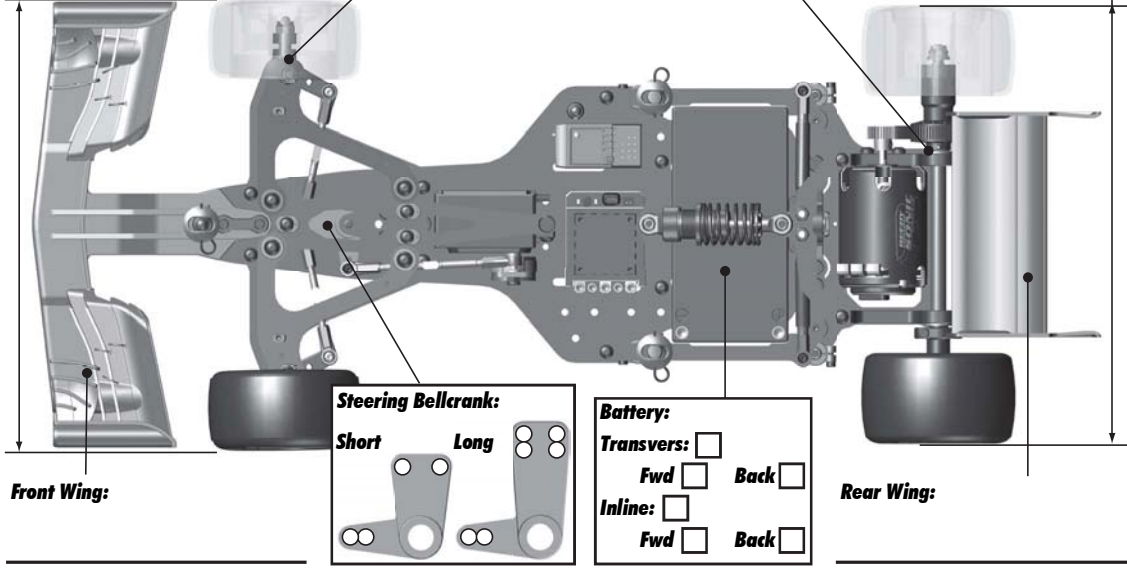
Damper Tube: _____

Fluid: _____

Axle Height: 1.0 0.75 0.5 0.25 0 0.25 0.5 0.75 1.0 STD +1mm



Width: _____ **Axle Shim:** _____ **Axle Shim:** _____ **Width:** _____



Steering Bellcrank: Short Long

Battery:

Transvers: Fwd Back

Inline: Fwd Back