

Track Info:

Size: Small Medium
 Large X-Large

Surface: Carpet Asphalt
 Indoor Outdoor

Traction: Low Medium
 High Wet

Condition: Bumpy Smooth

Temperature: Ambient _____ Track _____

Notes:

Vehicle Info:

Body:

Weight:

Notes:

Shock:

Piston:

Fluid:

Spring:

Rebound:

Pre Load:

Free Length:

Notes:

Electronics:

Radio:

Servo:

EPA: Throttle: _____ % Brake: _____ %

ESC:

ESC Settings:

Motor:

Timing:

Pinion: _____ **Spur:** _____

Battery:

Notes:

Tires:

Front Tires:

Front Insert:

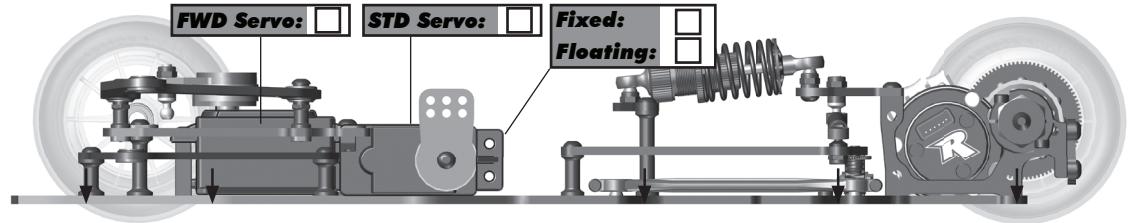
Rear Tire:

Rear Insert:

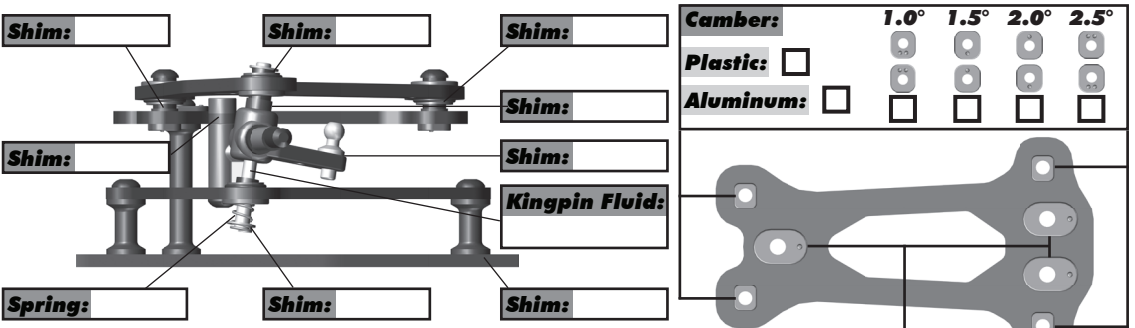
Wheel (F/R):

Notes:

	Left	Right
Front Tire Additive:	<input type="text"/>	<input type="text"/>
Additive Time:	<input type="text"/>	<input type="text"/>
Rear Tire Additive:	<input type="text"/>	<input type="text"/>
Additive Time:	<input type="text"/>	<input type="text"/>



Droop: _____ **Ride Height:** _____ **Ride Height:** _____ **Droop:** _____ **Ride Height:** _____



Shim: _____ **Shim:** _____ **Shim:** _____ **Shim:** _____ **Shim:** _____ **Shim:** _____

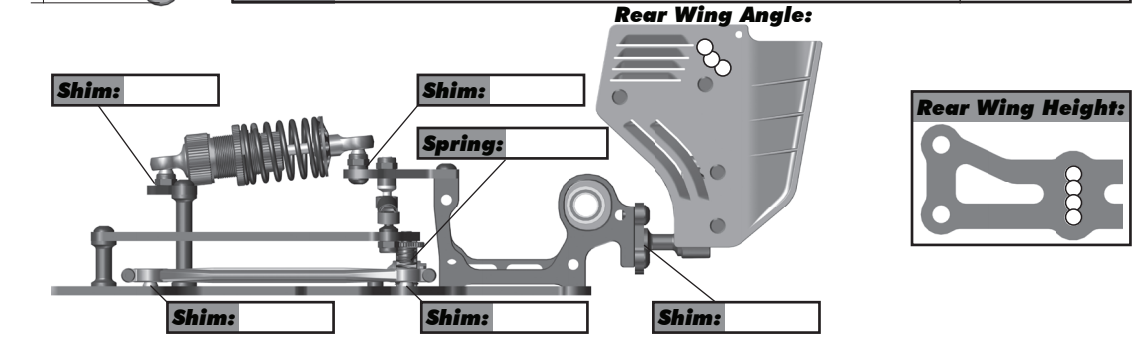
Spring: _____ **Shim:** _____ **Shim:** _____

Pre Load **Free Length**

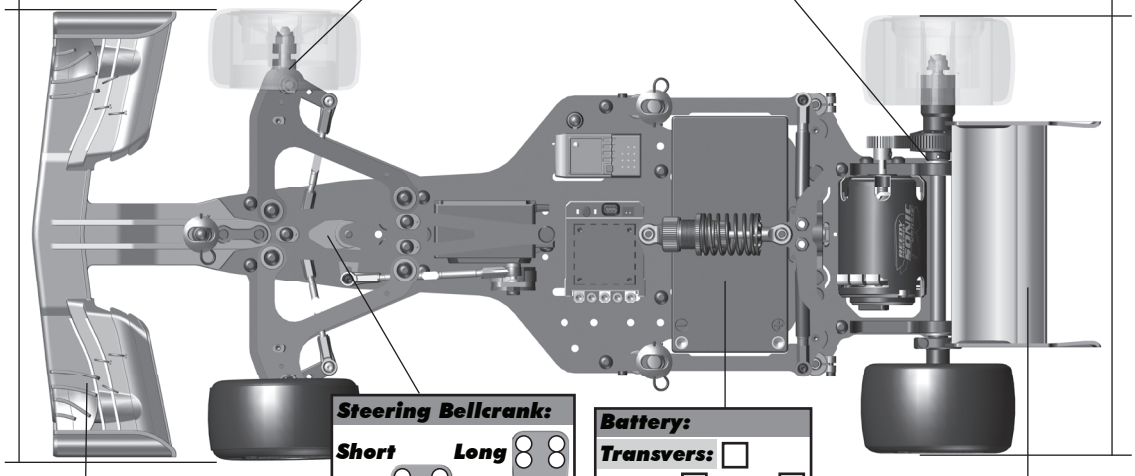
Damper Tube: _____ **Fluid:** _____

Caster: 3° 6° 9° 12°
 Plastic: Aluminum:

Axle Height: 1.0 0.75 0.5 0.25 0 0.25 0.5 0.75 1.0 STD +1mm



Width: _____ **Axle Shim:** _____ **Axle Shim:** _____ **Width:** _____



Front Wing: _____

Steering Bellcrank: Short Long

Battery: Transvers: Fwd Back
 Inline: Fwd Back

Rear Wing: _____