

DRIVER *Paul Pattison*

DATE *9/5/2026*

TRACK *Bayswater*

EVENT *Club day*

CITY *Perth*

TEMPERATURE AIR		TRACK	
QUALIFYING <i>1</i>	BEST LAP TIME <i>14.957</i> SEC	FINAL <i>1</i>	RACE LENGTH <i>5</i> MIN

TRACK CONDITION

CARPET  ASPHALT  INDOOR  OUTDOOR

BUMPY  SMOOTH

TECHNICAL  MIXED  FAST

TRACTION  LOW  MEDIUM  HIGH

TRANSMISSION

BELT  STD  SOFT

GEAR DIFFERENTIAL OIL *7000* CST *1.4* g

MOTOR *H/W G5* ESC *H/W*

PINION *37T* SPUR GEAR *94T* FDR

SUSPENSION

FRONT		REAR	
<i>550</i> W CST	OIL	<i>550</i> W CST	
<input checked="" type="checkbox"/> OPEN	CAP HOLE	<input checked="" type="checkbox"/> OPEN	
<i>Green 2.6</i>	SPRING	<i>Yellow 2.8</i>	
<i>6</i>	PISTON	<i>6</i>	
<i>5</i> %	REBOUND	<i>5</i> %	

ANTI-ROLL BAR

FRONT *1.2* mm REAR *1.1* mm

TIRES *Sweep*

ADDITIVE *M/G White*

ADDITIVE TIME *5*

FRONT TIRE GLUED WALL DIAMETER

FL	FR	RL	RR

TREATED AREA

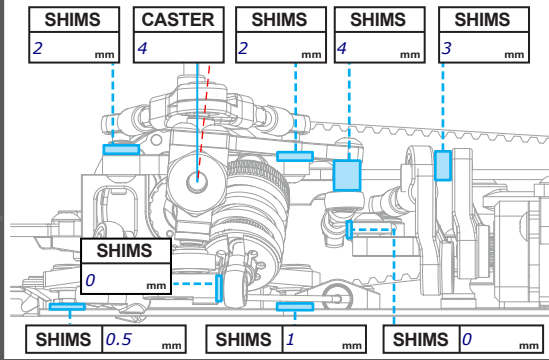
HEIGHT mm TOWER EDGE mm WINDOW EDGE *56.5* mm

HEIGHT mm

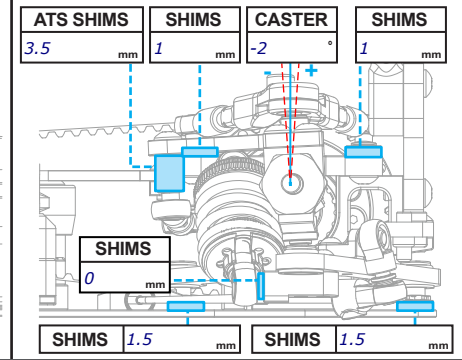
BODY *Vortex* WING *Speciale*

R158030 R158040 R158031 CUT

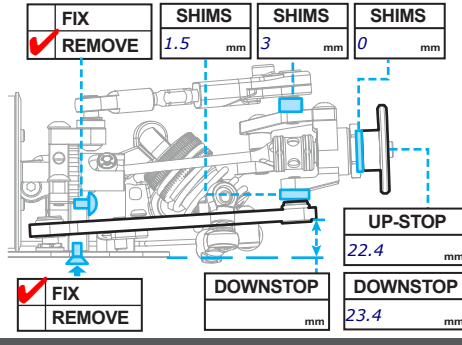
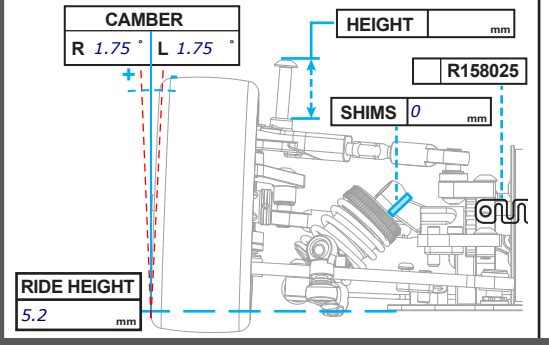
## FRONT



## REAR



## FRONT



## REAR

