

| | |
|--------|--|
| DRIVER | |
| DATE | |
| TRACK | |
| EVENT | |
| CITY | |

| | | | | |
|-----------------|------------------------------------|----------------------------------|---------------------------------|----------------------------------|
| TEMPERATURE | | AIR | TRACK | |
| QUALIFYING | BEST LAP TIME | SEC | FINAL | RACE LENGTH |
| | | | | MIN |
| TRACK CONDITION | <input type="checkbox"/> CARPET | <input type="checkbox"/> ASPHALT | <input type="checkbox"/> INDOOR | <input type="checkbox"/> OUTDOOR |
| | <input type="checkbox"/> BUMPY | <input type="checkbox"/> SMOOTH | | |
| | <input type="checkbox"/> TECHNICAL | <input type="checkbox"/> MIXED | <input type="checkbox"/> FAST | |
| TRACTION | <input type="checkbox"/> LOW | <input type="checkbox"/> MEDIUM | <input type="checkbox"/> HIGH | |

| | |
|------------------------------|---|
| TRANSMISSION | |
| GEAR DIFF OIL | NUMBER OF GEARS |
| <input type="checkbox"/> CST | <input type="checkbox"/> 2 <input type="checkbox"/> 4 |

| | |
|--------|-------------------|
| MOTOR | ESC |
| PINION | T SPUR GEAR T FDR |

| | |
|------------------------------------|-----------------------------------|
| SHOCK SET | |
| <input type="checkbox"/> PDS FRONT | <input type="checkbox"/> PDS REAR |

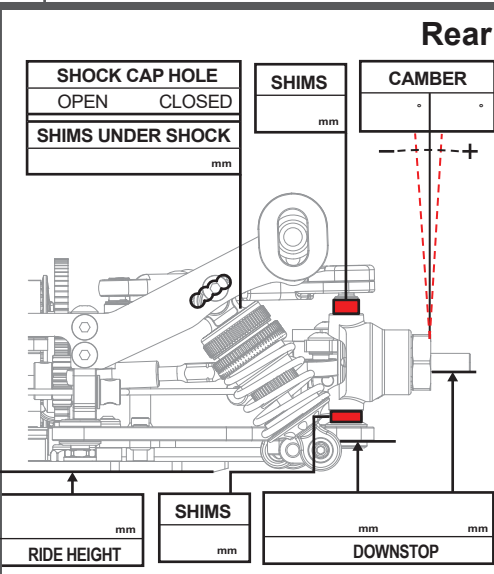
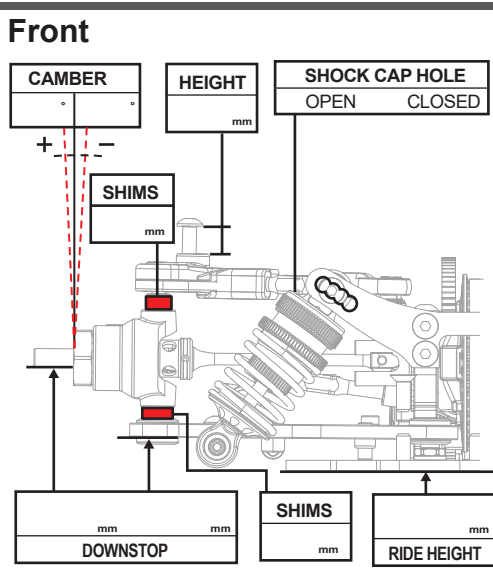
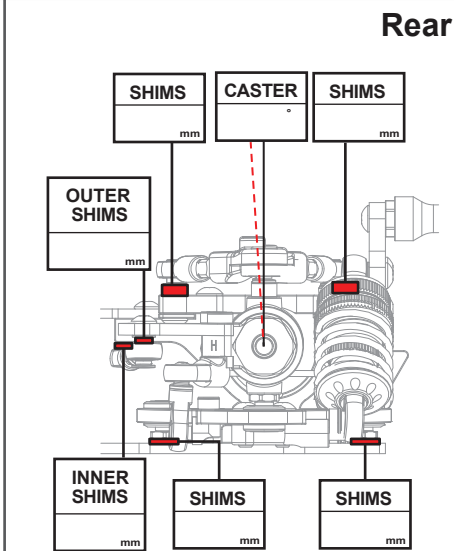
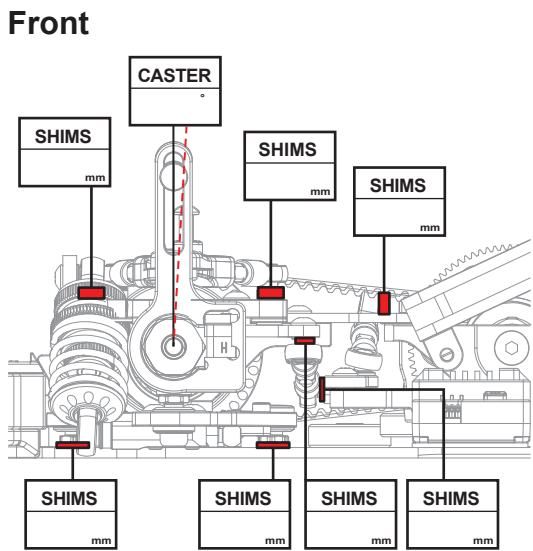
| | | |
|-------|---------|------|
| FRONT | OIL | REAR |
| | SPRING | |
| | PISTON | |
| | REBOUND | % |

| | |
|---------------|------|
| ANTI-ROLL BAR | |
| FRONT | REAR |
| mm | mm |

| |
|-----------------|
| TIRES |
| ADDITIVE |
| ADDITIVE TIMING |
| FL FR RL RR |
| TREATED AREA |

| | |
|---------------------|------|
| BODY MOUNT DISTANCE | |
| mm | |
| BODY | WING |

Notes



CHASSIS SETUP

