

NOTICE

TH =Apply Thread Lock Adhesive
=使用螺絲防鬆膠

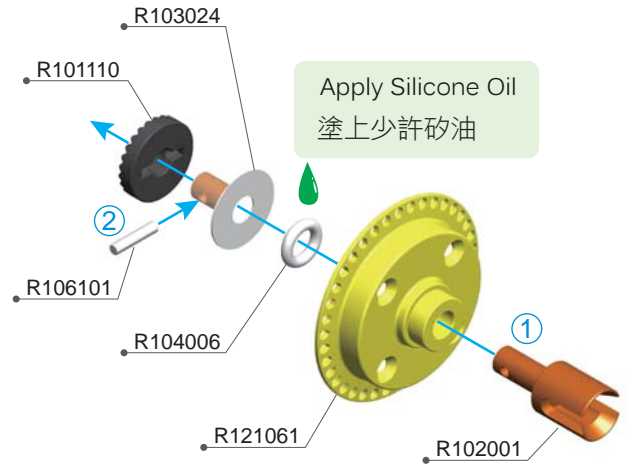
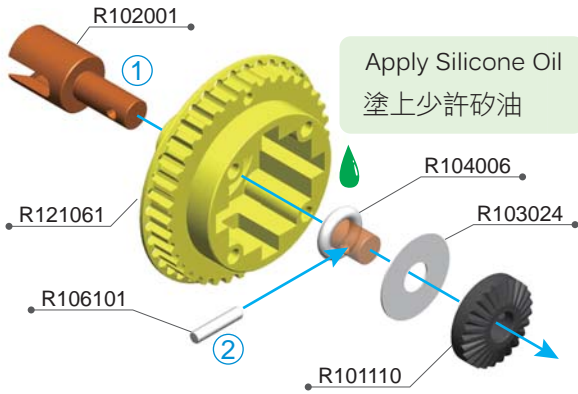
CA =Apply CA Glue
=使用瞬間接著劑

GE =Apply Grease
=使用潤滑油

BAG 01

☉ R106101
Ø2x9.8 Pin (10)

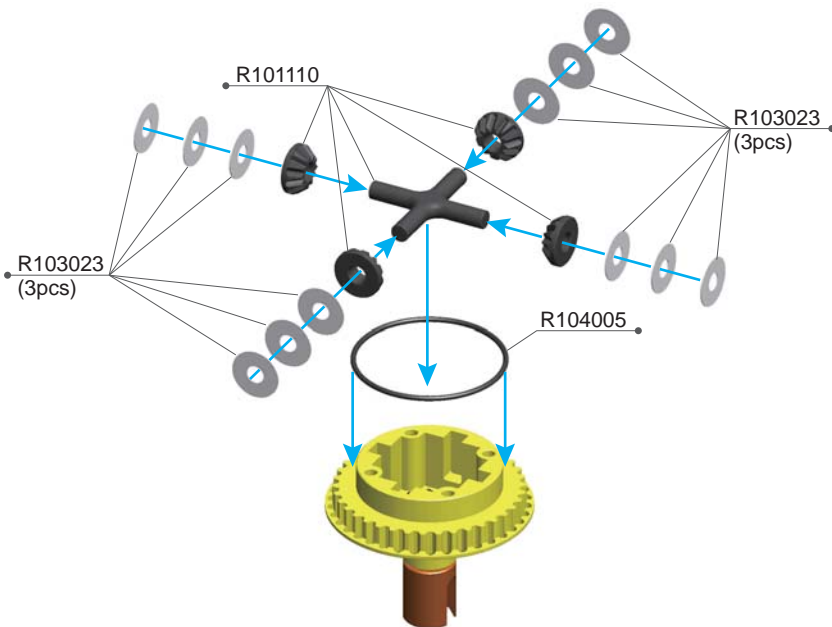
1:1 Scale



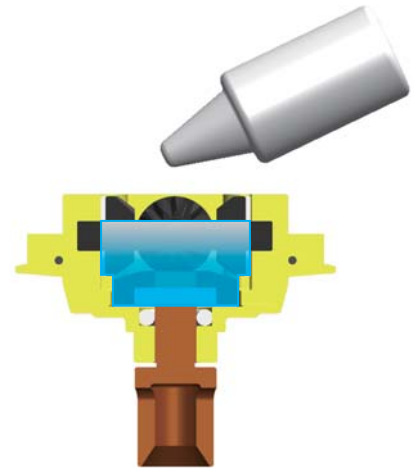
R101110 Diff Gears (with Axle)
R102001 Gear Diff Outdrive Alu(2pcs)
R103024 Gear Diff Shim Big(4pcs)

R104006 O'ring 5x2(4pcs)
R106101 2x9.8mm Pin (10pcs)
R121061 R12 Kevlar Diff Case

BAG 01



Silicone Oil #1,000,000



NOTICE



Trim any excess flashing from the diff gear axle at the mold injection point.

請將十字軸邊緣多餘的合模線修順，
可使差速的運做更順暢。

NOTICE

We recommend using 1.5g grams of silicone diff oil.

建議加入1.5公克重規格1,000,000CST
的差速油。

R101110 Diff Gears (with Axle)
R103023 Gear Diff Shim Small(8pcs)

R104005 O'Ring 26x1 For Diff Case(2pcs)

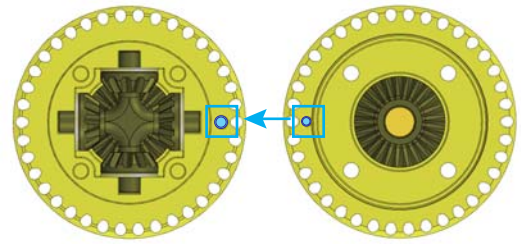
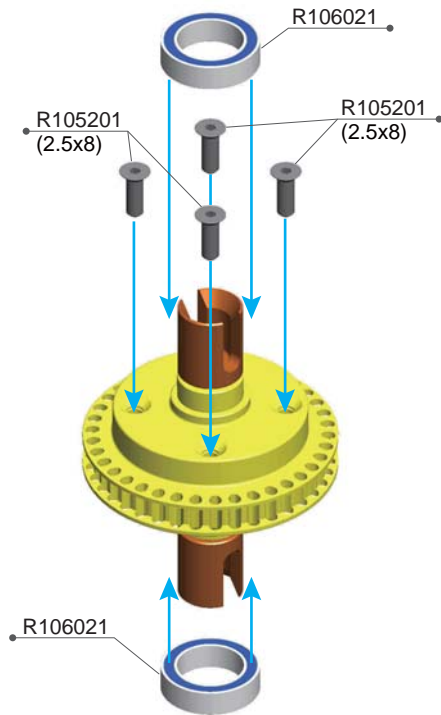


R105201
2.5x8mm Flat Screw (10)



R106021
Low Friction Ball Bearing
10x15x4 (4)

1:1 Scale



NOTICE

Diff case direction needs to match as per above.
差速外殼組裝時請依圖示對齊凹點。

R105201 2.5x8mm Flat Screw (10)

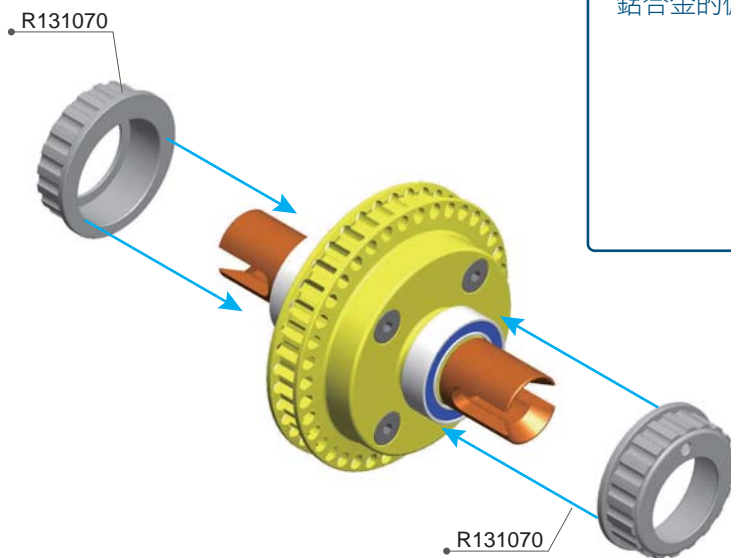
R106021 Low Friction Ball Bearing 10x15x4 (4pcs)

Option Parts (Not Included) / 改裝品 (未附於套件內)

R122017 R12 Eccentric Hub-Alu (4)

The aluminum eccentric hubs provide greater precision and finer belt tension adjustment.

鋁合金的偏心調整環可提供準確與更細緻的張力調整。

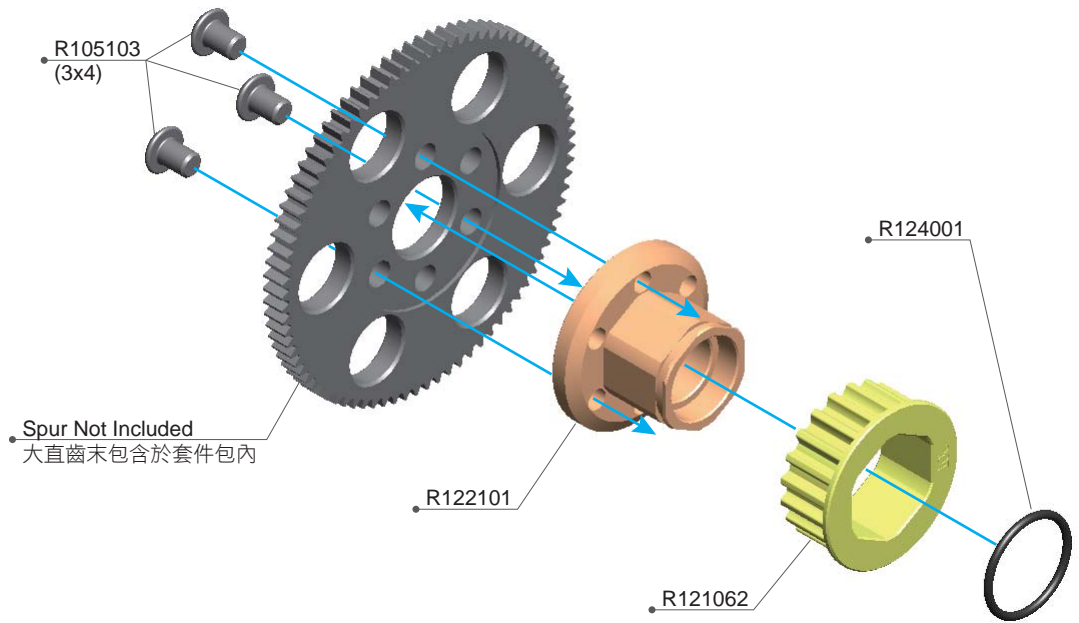


R131070 A10 Eccentric Hub Set



R105103
3x4 Round Screw (10)

1:1 Scale



R105103 3x4 Round Screw (10)
R121062 R12 Kevlar Center Pulley 20T

R122101 R12 Center Pulley Hub-Alu
R124001 10x1 O'ring (4)

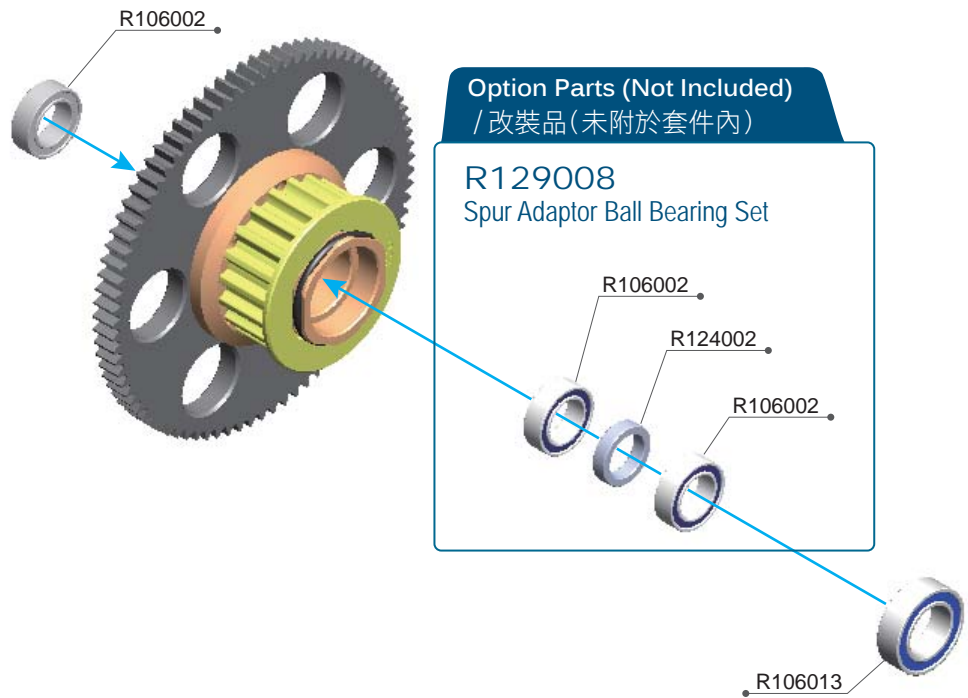


R106002
5x8x2.5mm
Ball Bearing /Metal Seal (4)



R106013
6x10x3mm Ball Bearing (2)

1:1 Scale



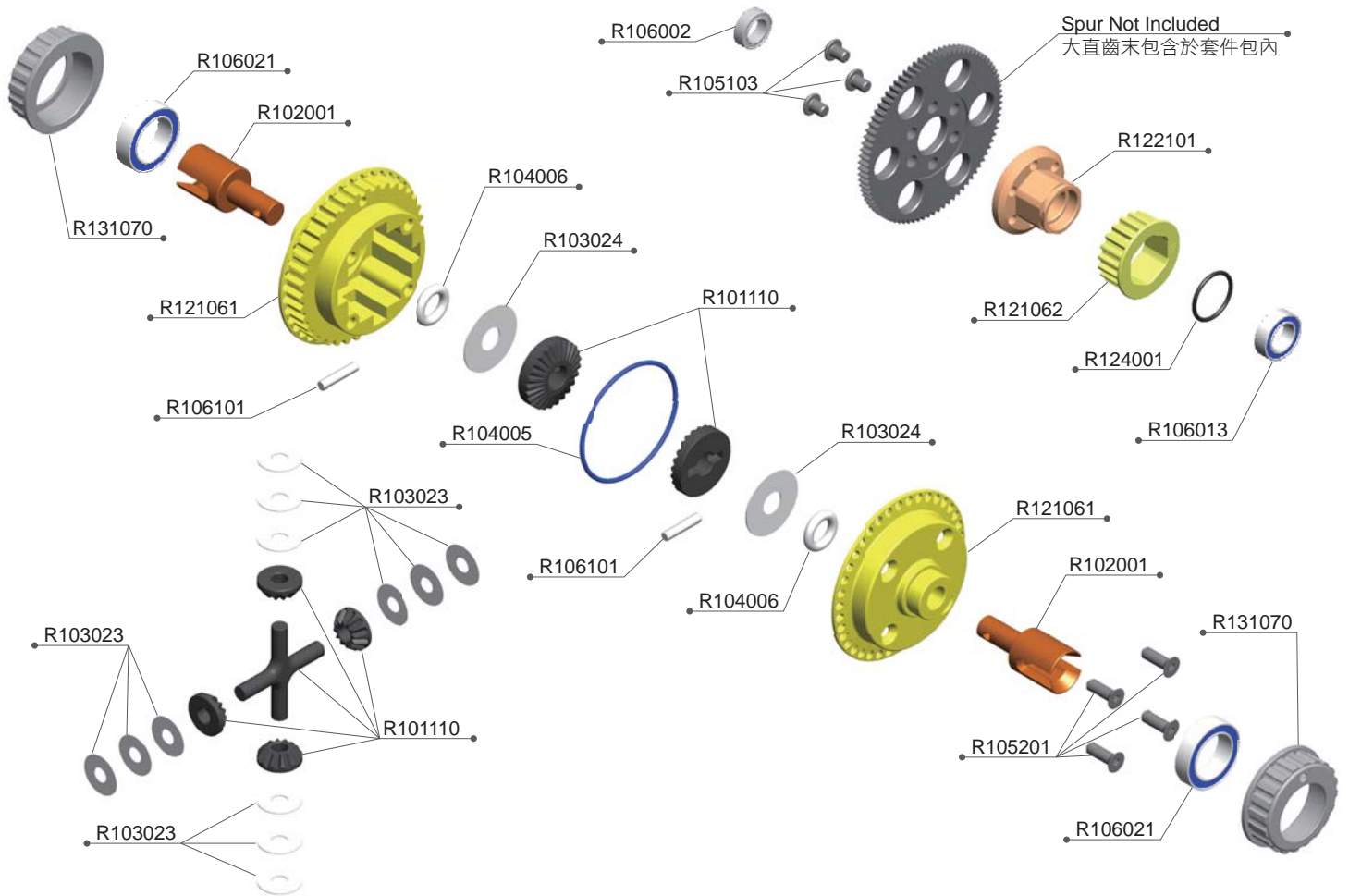
Option Parts (Not Included)
/ 改装品 (未附於套件內)

R129008
Spur Adaptor Ball Bearing Set

R106002 5x8x2.5mm Ball Bearing /Metal Seal (4)
R106013 6x10x3 Ball Bearing (2)

R124002 5x7x1.7 Teflon Ring (2)

A10MF-26 BAG 01 PARTS EXPLODED VIEW



A10MF-26 BAG 01 PARTS LIST

R101110	Diff Gears (with Axle)	R106013	6x10x3 Ball Bearing (2)
R102001	Gear Diff Outdrive Alu(2pcs)	R106021	Low Friction Ball Bearing 10x15x4 (4pcs)
R103023	Gear Diff Shim Small(8pcs)	R106101	2x9.8mm Pin (10pcs)
R103024	Gear Diff Shim Big(4pcs)	R121061	R12 Kevlar Diff Case
R104005	O'Ring 26x1 For Diff Case(2pcs)	R121062	R12 Kevlar Center Pulley 20T
R104006	O'ring 5x2(4pcs)	R122101	R12 Center Pulley Hub-Alu
R105103	3x4 Round Screw (10)	R124001	10x1 O'ring (4)
R105201	2.5x8mm Flat Screw (10)	R131070	A10 Eccentric Hub Set
R106002	5x8x2.5mm Ball Bearing /Metal Seal (4)		

1:1 SCALE



R105103
3x4 Round Screw (10)



R105201
2.5x8mm Flat Screw (10)



R106101
Ø2x9.8 Pin (10)



R106002
5x8x2.5mm Ball Bearing /Metal Seal (4)



R106013
6x10x3mm Ball Bearing (2)



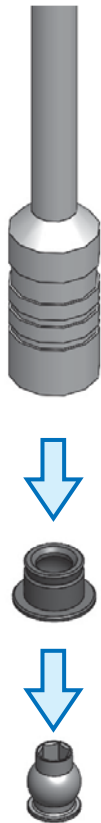
R106021
Low Friction Ball Bearing
10x15x4

NOTICE

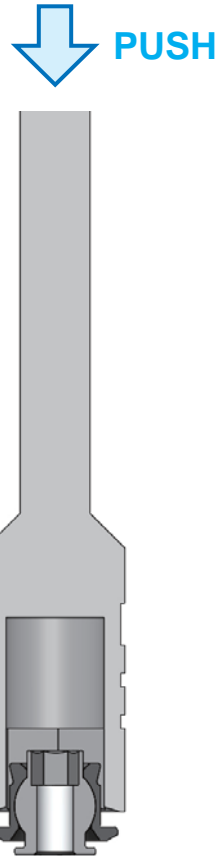
When assembling the ball head, you can use a 7mm socket to push the ball head in. Check the ball head moves smoothly inside the socket. Then install the ball head into the low arm.

當組裝球頭的時候可以使用7mm的套筒來將球頭押入,在確認球頭順暢之後再將球頭裝入擺臂。

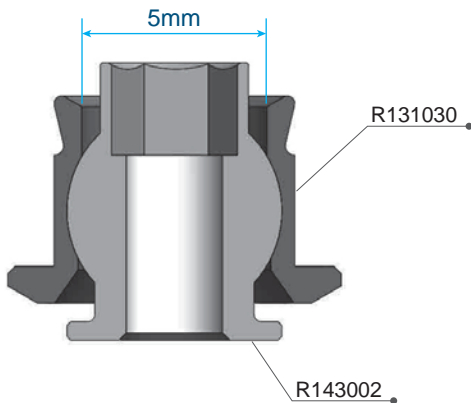
STEP 1



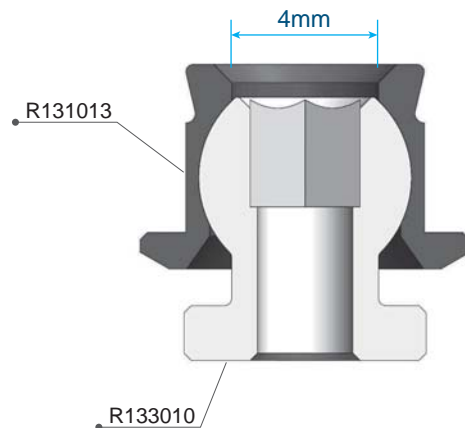
STEP 2



Lower Left : Pivot ball socket for outside of lower arm
外側的球頭組



Lower Right: Pivot ball socket for inside of lower arm
內側的球頭組

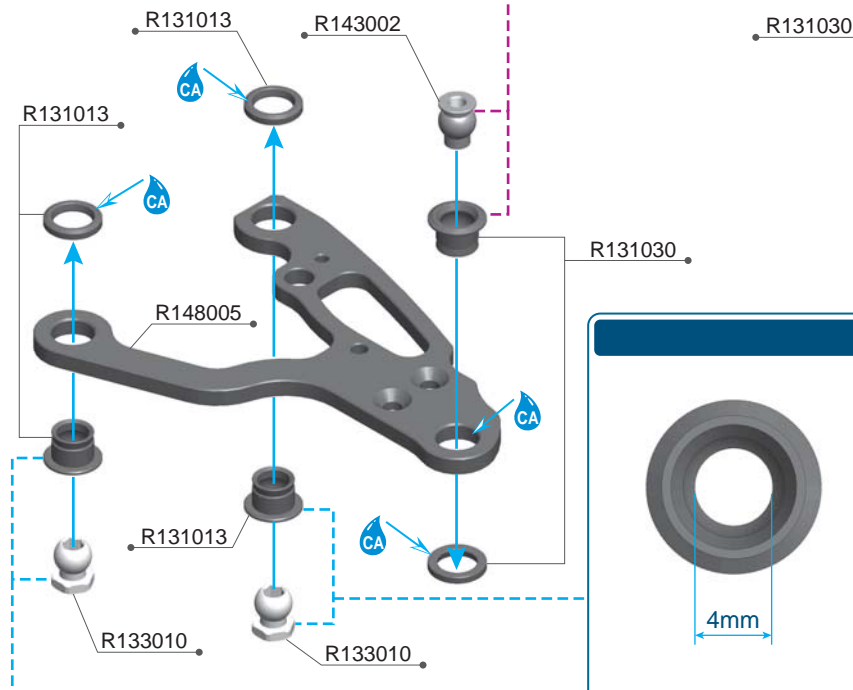


FRONT LOW ARM SET / 前下擺臂組

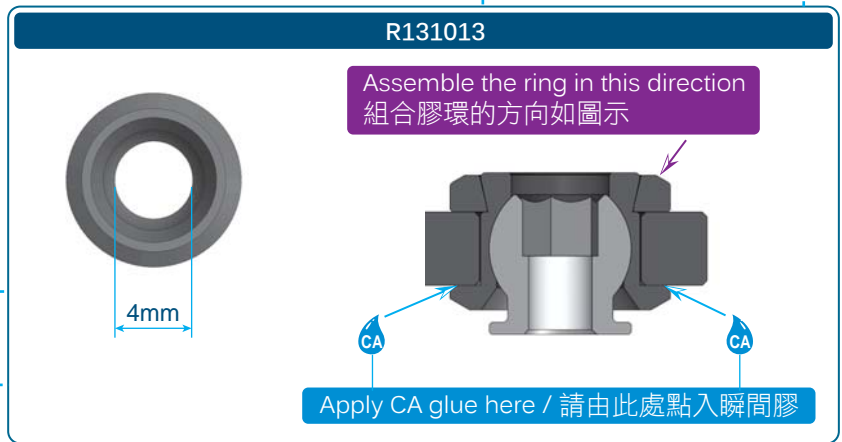
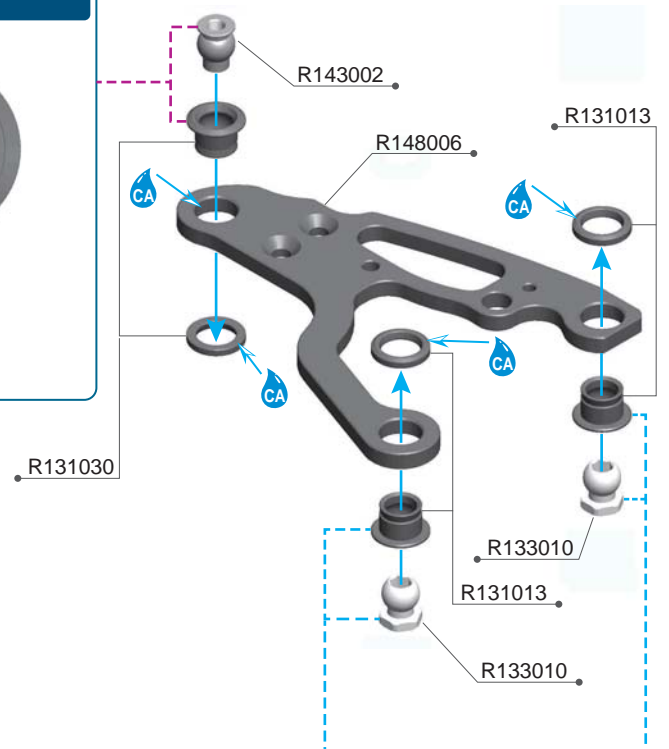
BAG 02

CA = Apply CA Glue / 使用瞬間接著劑

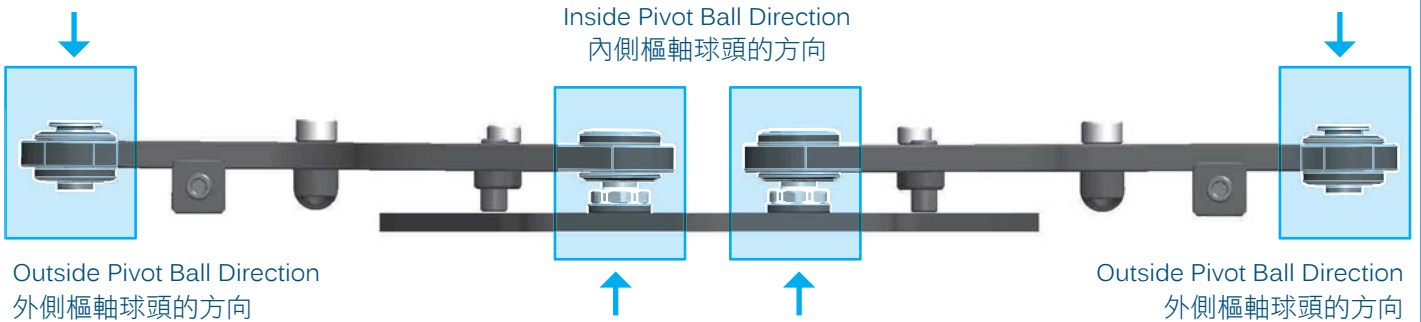
Right Side / 右邊



Left Side / 左邊



PIVOT BALL DIRECTION / 球頭方向



R131013 5.8mm Ball Socket Set (3 Sets)
R131030 5.8mm Ball Socket Set-5mm (3 Sets)
R133010 5.8mm Pivot Ball-Titanium (2)

R143002 5.8mm Pivot Ball Long-Titanium (2)
R148005 A10-25 Front Low Arm-Left
R148006 A10-25 Front Low Arm-Right

FRONT LOW ARM SET / 前下擺臂組

BAG 02



R105204
3x8mm Flat Screw (10)



R105403
3x8mm Set Screw (10)



R105404
3x10mm Set Screw (10)



R105101
2x5mm Cap Screw (10)



R805299
2.5x6mm Cap Screw (10)

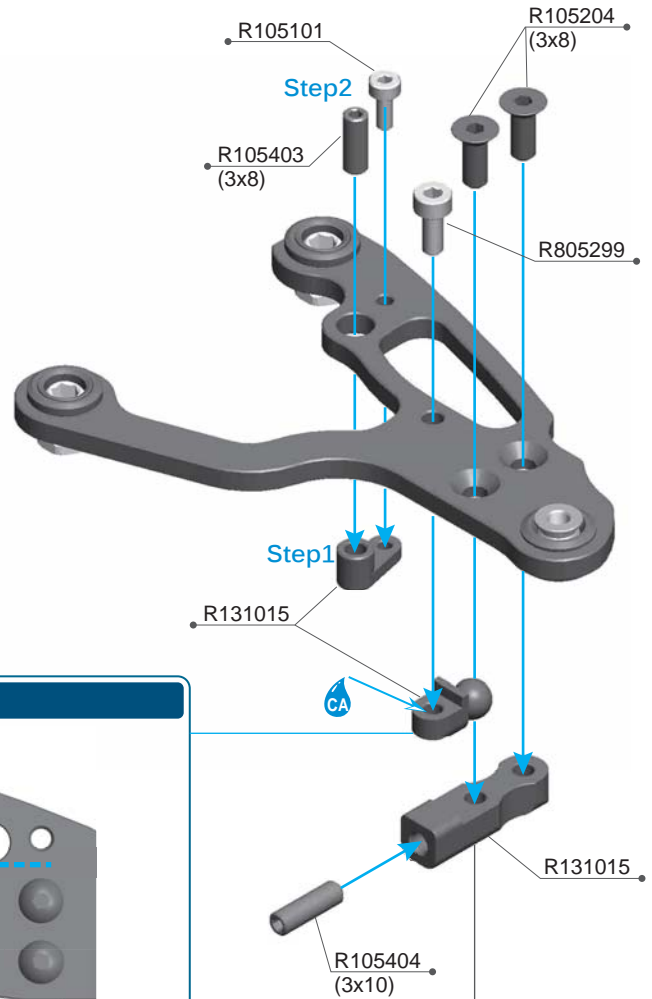
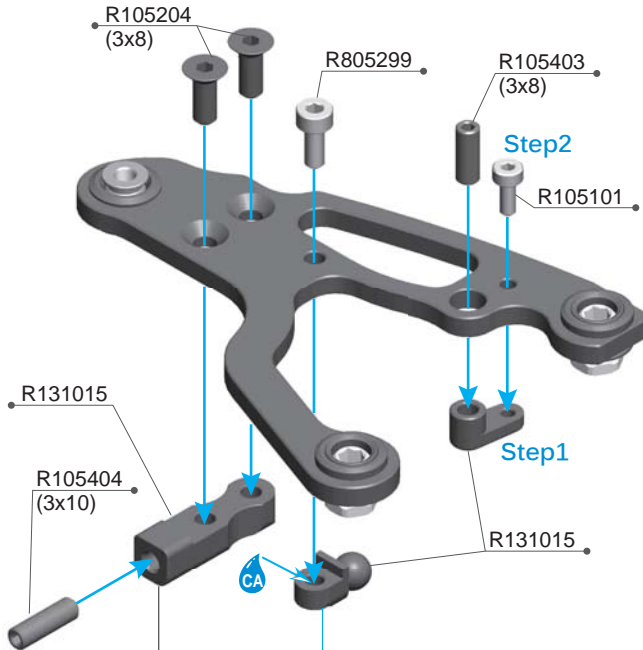


=Apply CA Glue
=使用瞬間接著劑

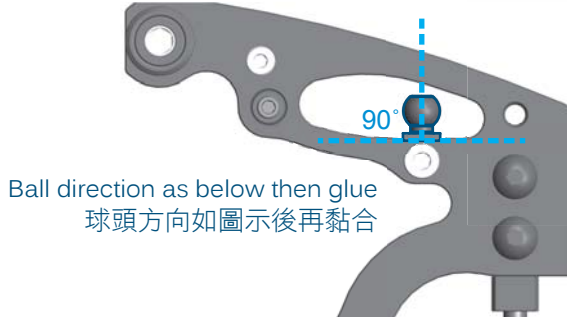
1:1 Scale

Right Side / 右邊

Left Side / 左邊



NOTICE



Option Parts (Not Included) / 改裝品 (未附於套件內)

R142006 A10 Suspension Mount Front-Alu (2)

Use option parts R142006 Aluminum Lower Shock Mount for more precise suspension operation

R142006 鋁合金的避震器下固定座是用於替換R131015 塑膠固定座的改裝品，它可以使避震器更準確的運做。



R105101 2x5mm Cap Screw (10)
R105204 3x8mm Flat Screw (10)
R105403 3x8mm Set Screw (10)

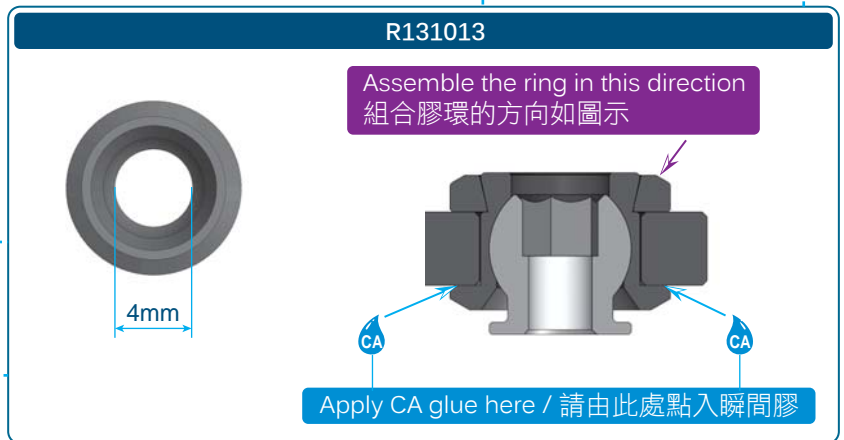
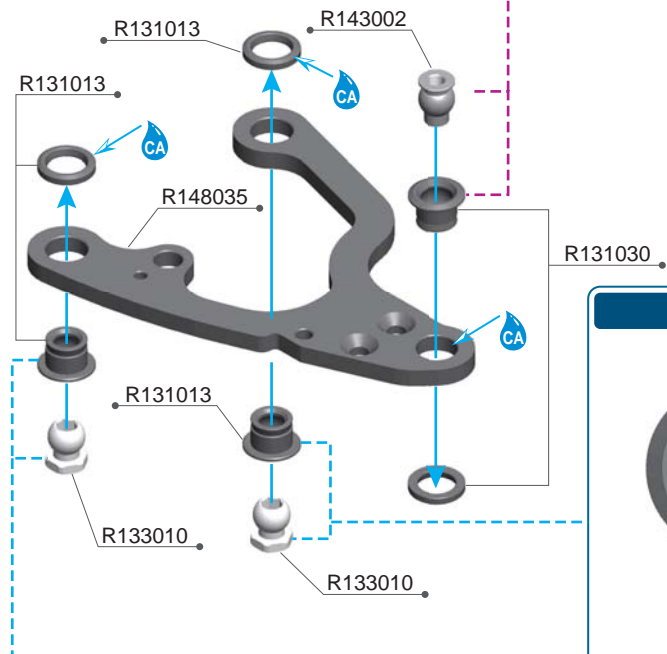
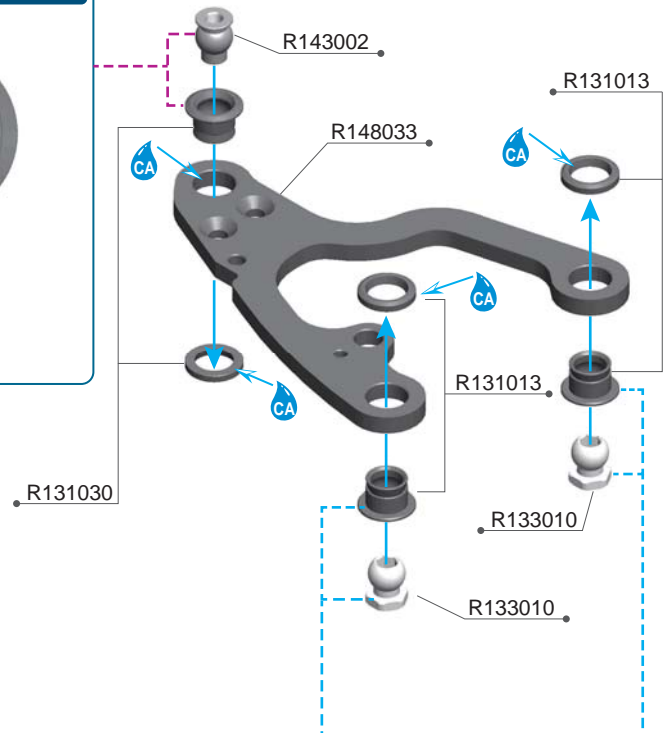
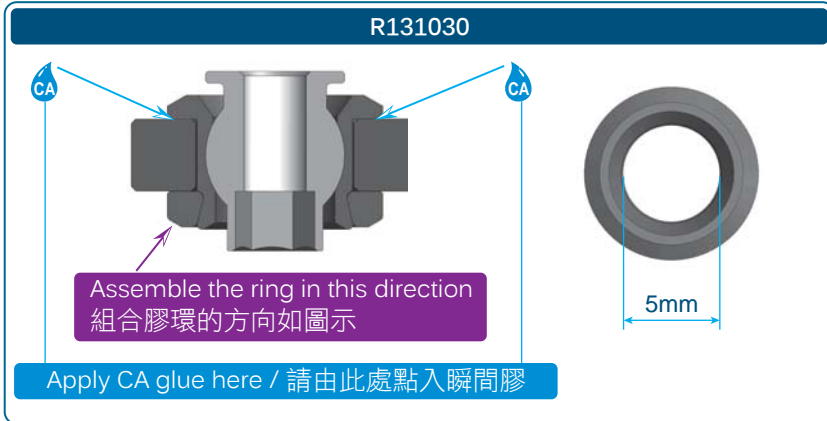
R105404 3x10mm Set Screw (10)
R131015 Front Low Arm Parts (3)
R805299 2.5x6mm Cap Screw (10)

REAR LOW ARM SET / 後下擺臂組

BAG 02

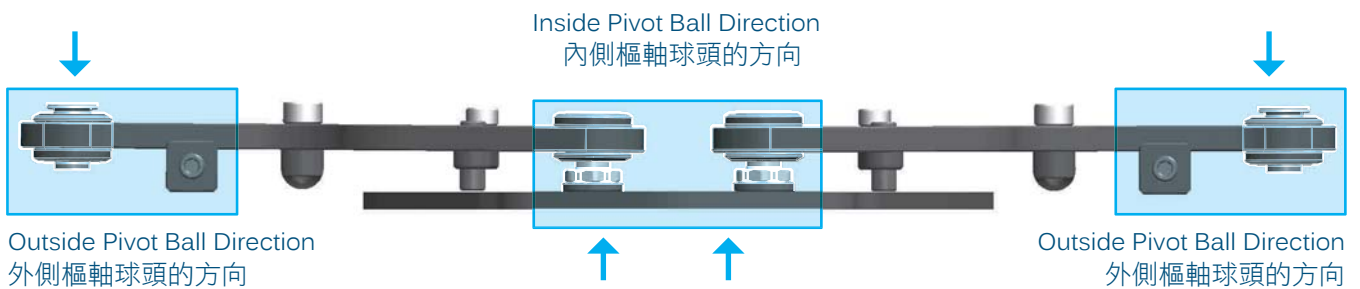
 =Apply CA Glue / 使用瞬間接著劑

Right Side / 右邊



Left Side / 左邊

PIVOT BALL DIRECTION / 球頭方向



R131013 5.8mm Ball Socket Set (3 Sets)
R131030 5.8mm Ball Socket Set-5mm (3 Sets)
R133010 5.8mm Pivot Ball-Titanium (2)

R143002 5.8mm Pivot Ball Long-Titanium (2)
R148033 A10MF-26 Rear Low Arm-Right
R148035 A10MF-26 Rear Low Arm-Left

REAR LOW ARM SET / 後下擺臂組

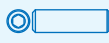
BAG 02



R105204
3x8mm Flat Screw (10)



R105403
3x8mm Set Screw (10)



R105404
3x10mm Set Screw (10)



R105101
2x5mm Cap Screw (10)



R805299
2.5x6mm Cap Screw (10)

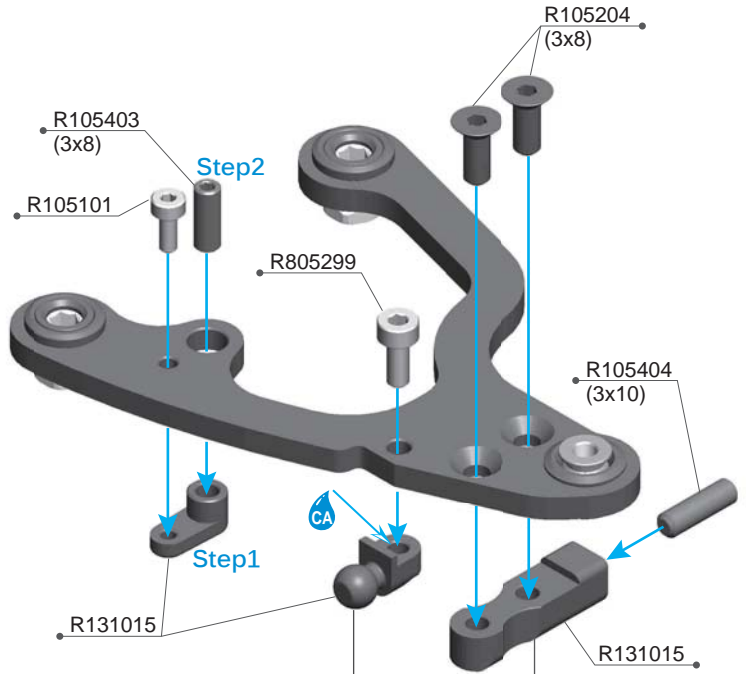
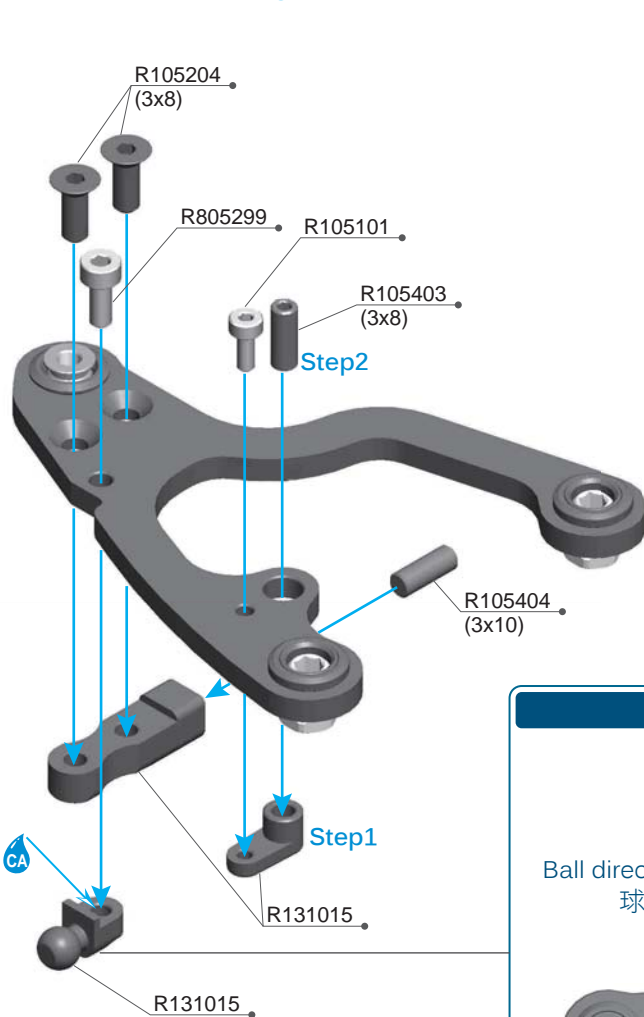


=Apply CA Glue
=使用瞬間接著劑

1:1 Scale

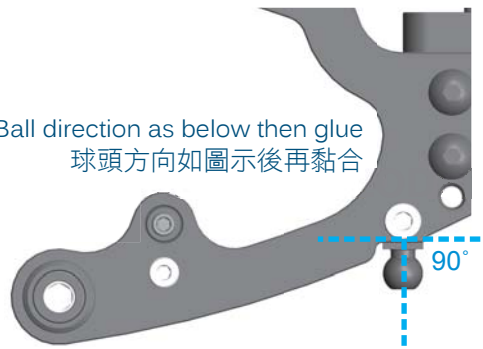
Right Side / 右邊

Left Side / 左邊



NOTICE

Ball direction as below then glue
球頭方向如圖示後再黏合



Option Parts (Not Included) / 改裝品 (未附於套件內)

R142006 A10 Suspension Mount Front-Alu (2)

Use option parts R142006 Aluminum Lower Shock Mount for more precise suspension operation

R142006 鋁合金的避震器下固定座是用於替換R131015 塑膠固定座的改裝品，它可以使避震器更準確的運做。



R105101 2x5mm Cap Screw (10)
R105204 3x8mm Flat Screw (10)
R105403 3x8mm Set Screw (10)

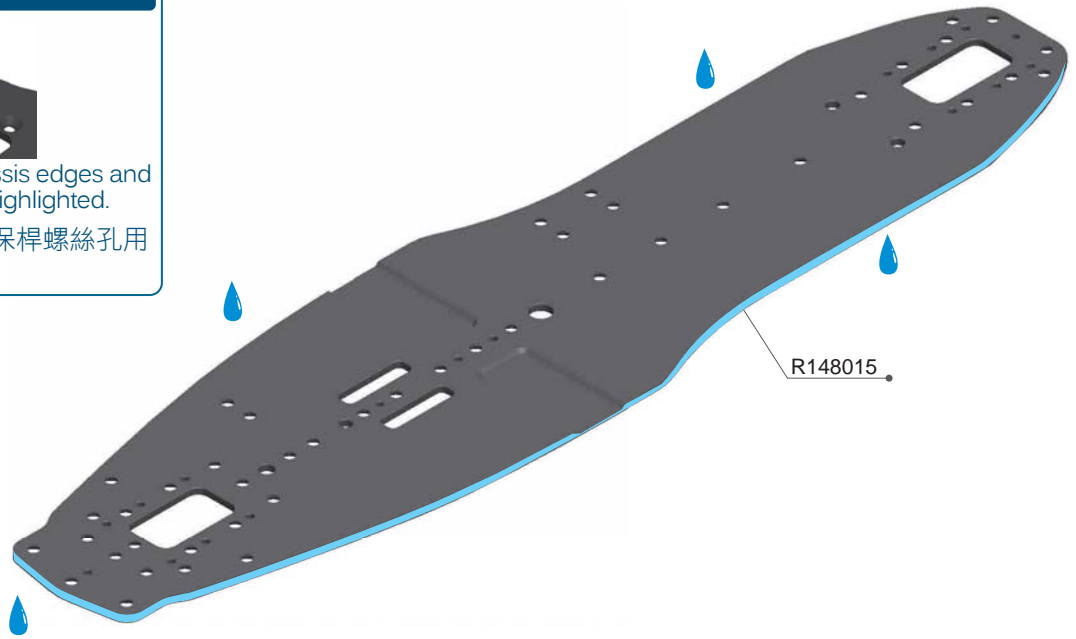
R105404 3x10mm Set Screw (10)
R131015 Front Low Arm Parts (3)
R805299 2.5x6mm Cap Screw (10)

NOTICE



Apply CA Glue to the chassis edges and front bumper screws as highlighted.

請依圖示中的位置將前保桿螺絲孔用瞬間膠做補強。



R148015

R148015 A10MF-26 Carbon Chassis-2.25mm

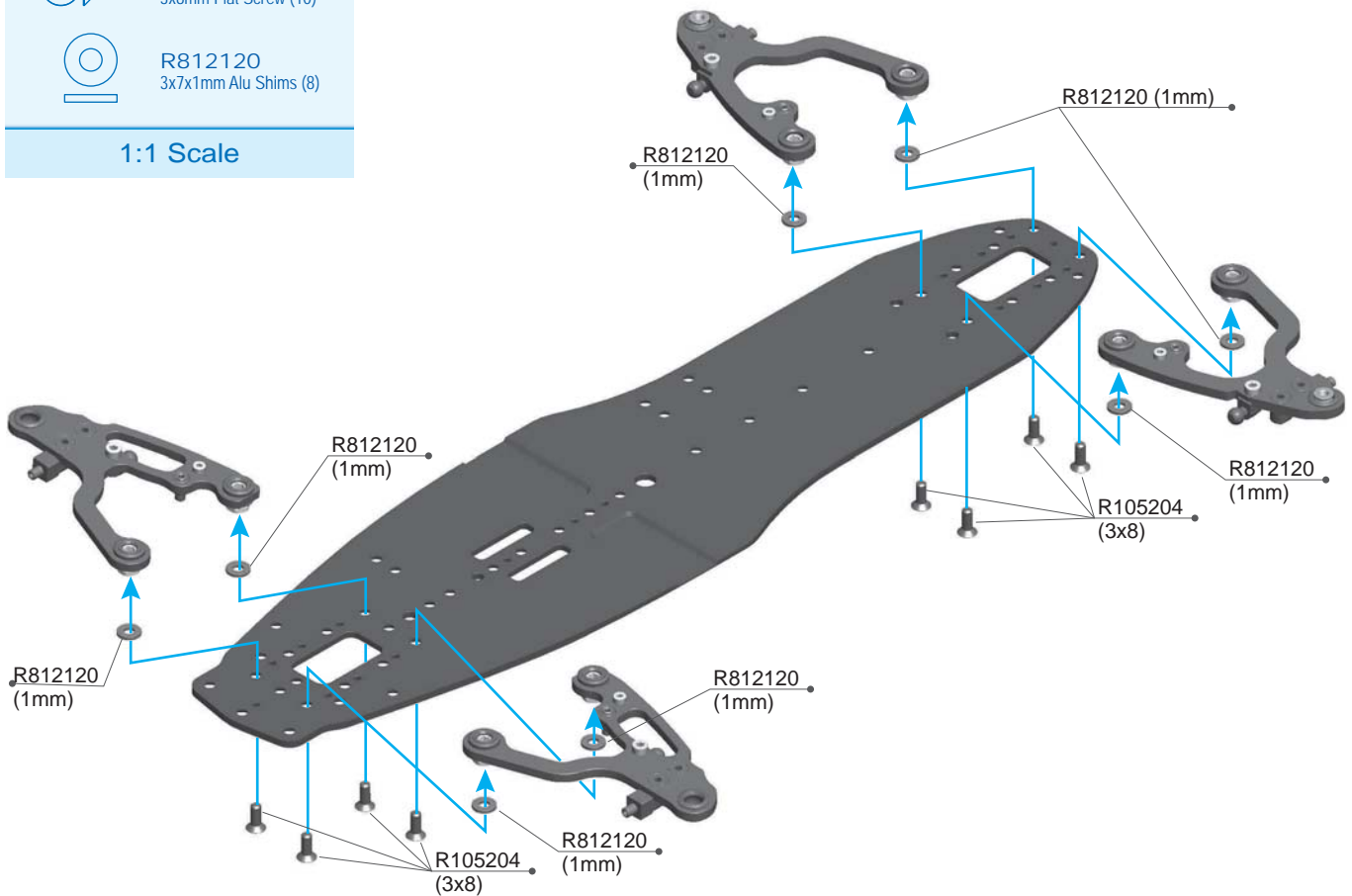


R105204
3x8mm Flat Screw (10)



R812120
3x7x1mm Alu Shims (8)

1:1 Scale



R105204 3x8mm Flat Screw (10)

R812120 3x7x1mm Alu Shims (8)

NOTICE

R133003 A10 Brass Weight Round Type 10g (2)

The 10-gram round weight can be used to increase the weight of the front of the A10MF.

十公克的圓型重量可以用來增加A10MF 前方的重量。

 R105202
3x4mm Flat Screw (10)

 R105203
3x6mm Flat Screw (10)

1:1 Scale

R133020 A10MF Brass Weight 25g

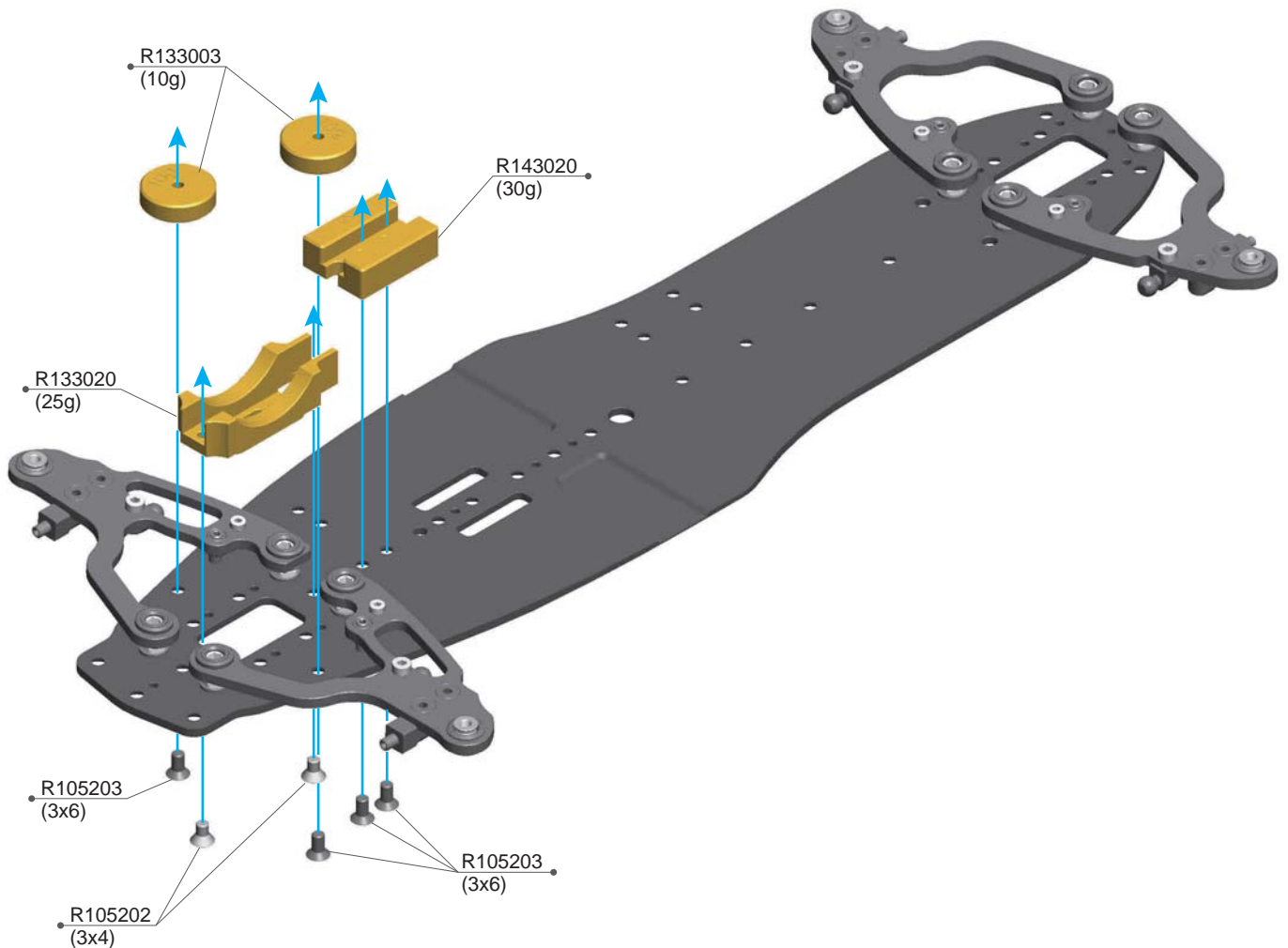
The R133020 brass weight 25g is designed to increase the A10MF weight at the front center area. Located below the front diff, it increases stability and improves the car's handling.

R133020 同樣是專為A10MF所設計的專用配重塊，配重的位置在差速器的正下方，在增加重量的同時也可以增加車輛整體的穩定性與操控性。

R143020 A10MF Center Weight 30g

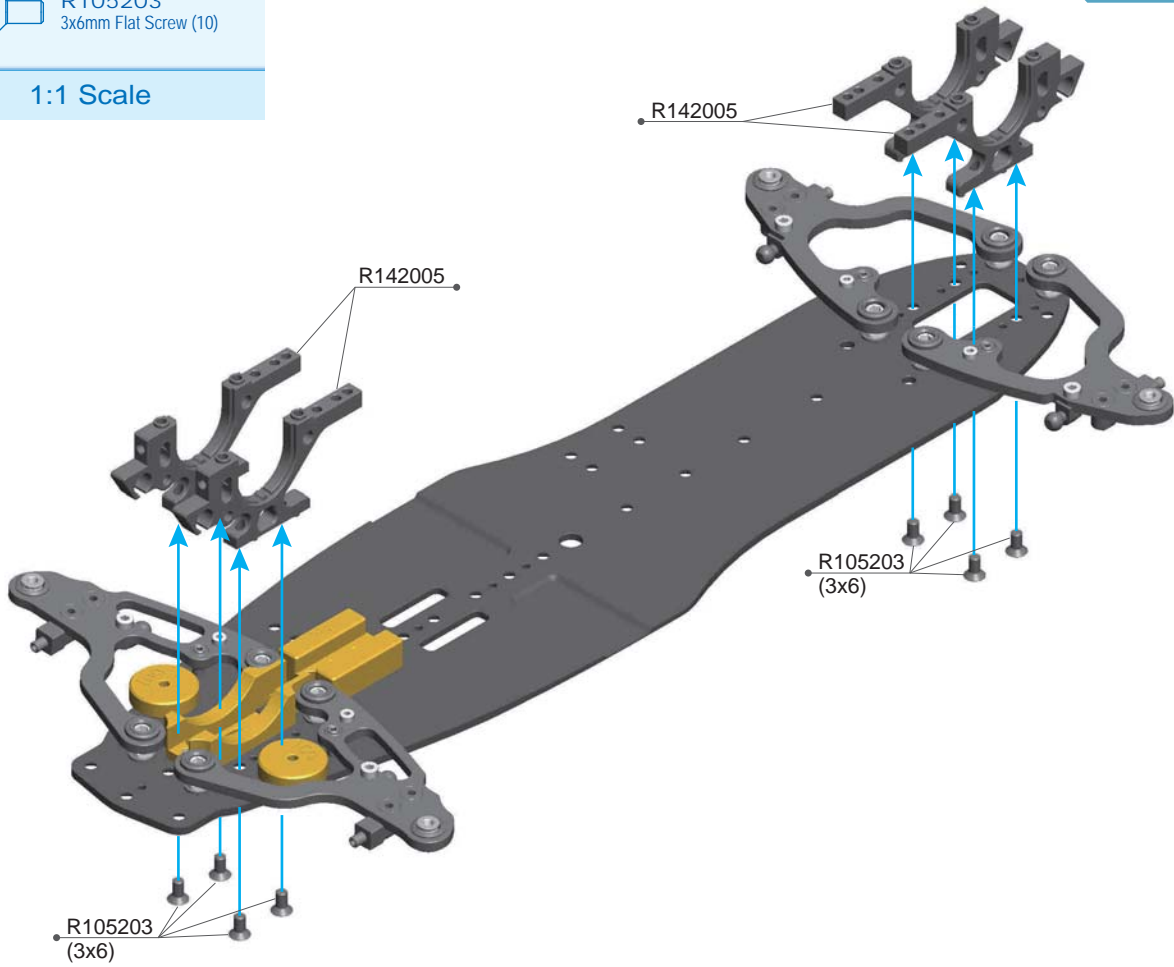
The R143020 A10MF Center Weight 30g is designed to adjust the front weight distribution of the A10MF-26. More weight in front can give the car more front-end traction.

R143020 A10MF 配重30g 可用來調整A10MF-26的整體配重，當前方的重量增加時可同時增加前方的抓地力。



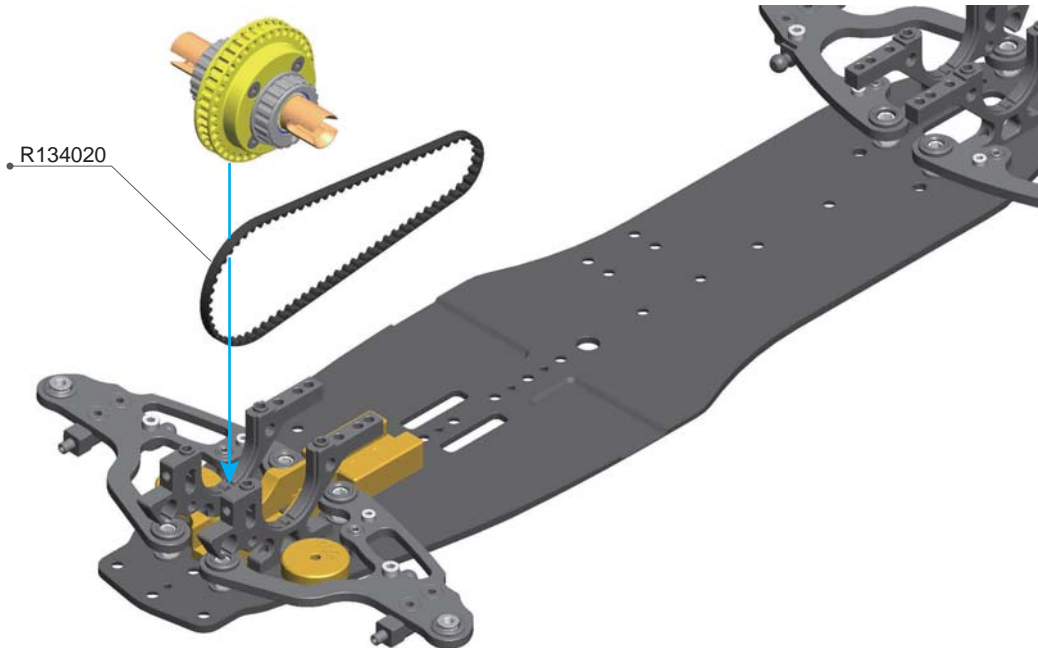
R105203
3x6mm Flat Screw (10)

1:1 Scale



R105203 3x6mm Flat Screw (10)

R142005 A10-25 Bulkhead



R134020 A10MF Belt S3M-234



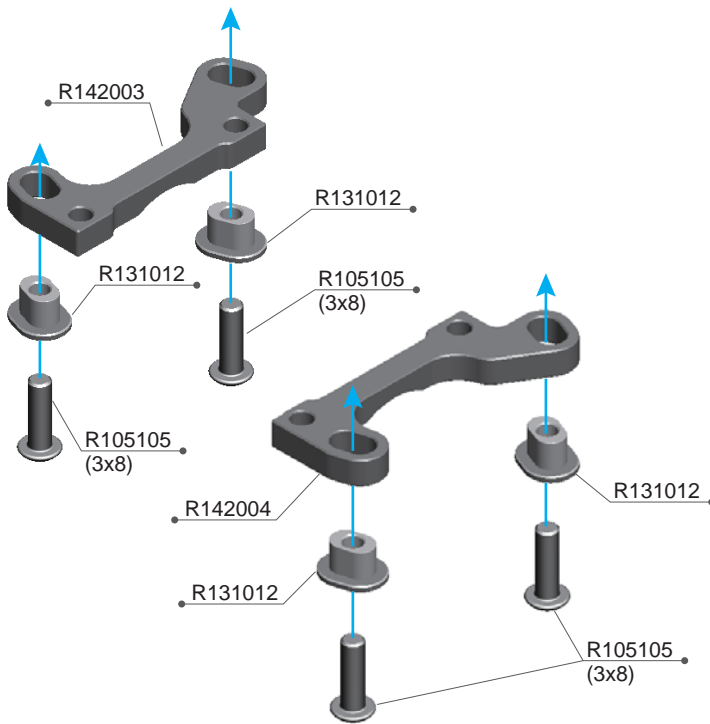
R105105
3x8 Round Screw (10)

1:1 Scale

BAG 02

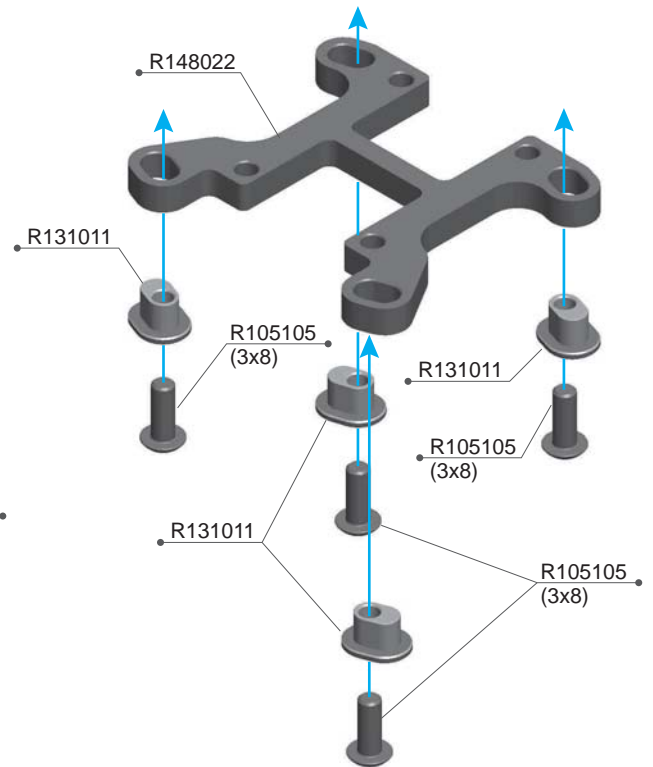
FRONT UPPER BULKHEAD

前上側板



REAR UPPER BULKHEAD

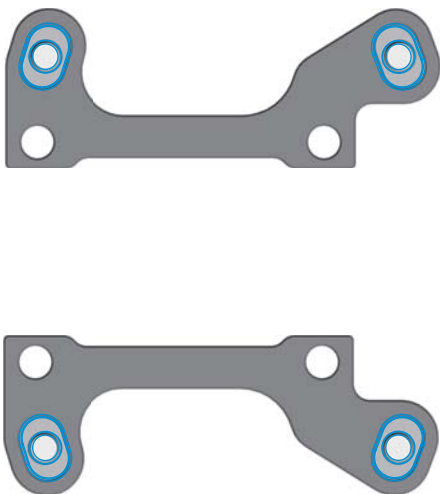
後上側板



FRONT / 前方

The upper arm length can be adjusted with different inserts. The default front upper arm setting uses the middle position.

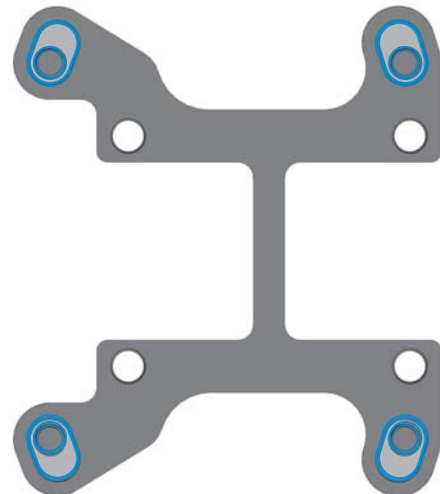
上擺臂的長度可以用不同的固定座來做改變，預設的前上擺臂使用中間的孔位。



REAR / 後方

The upper arm length can be adjusted with different inserts. The default rear upper arm setting uses the inside position for a longer upper arm.

上擺臂的長度可以用不同的固定座來做改變，預設的後上擺臂使用向內的孔位，此設定時後上擺臂的長度是最長的。



R105105 3x8 Round Screw (10)
R131011 Linkage Insert-Side (4)
R131012 Linkage Insert-Mid (4)

R142003 A10-25 Upper Bulkhead FR/RL
R142004 A10-25 Upper Bulkhead FL/RR
R148022 A10MF-26 Rear Upper Bulkhead



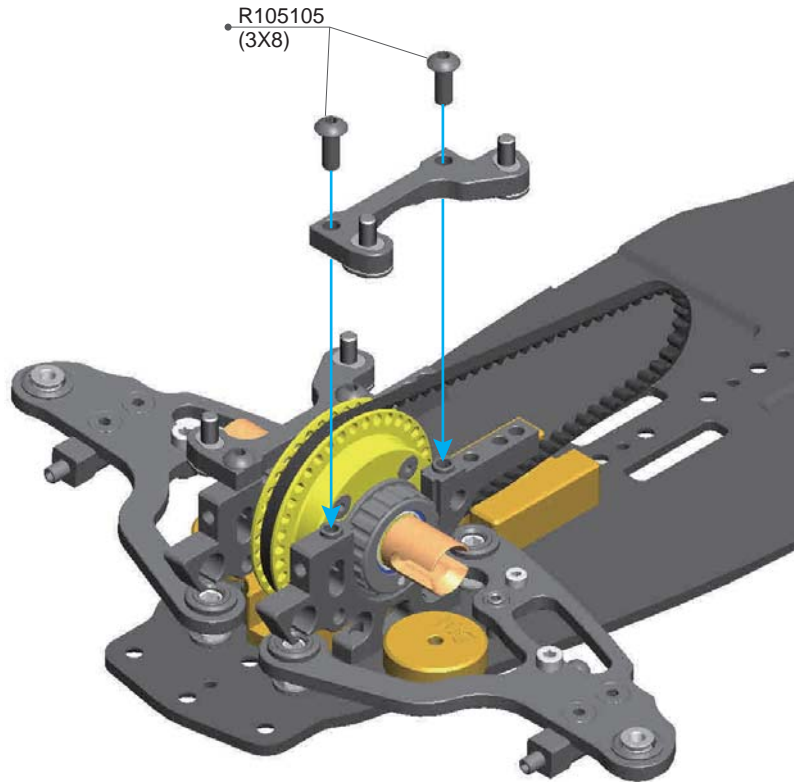
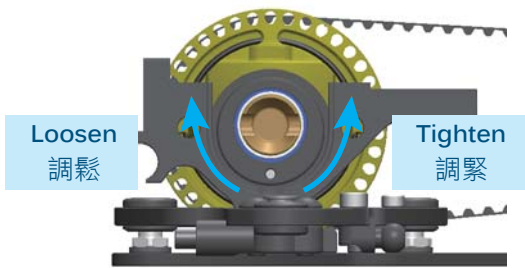
R105105
3x8 Round Screw (10)

1:1 Scale

FRONT / 前方

The eccentric hub is used to adjust the front diff height and belt tension. The default setup is for the diff to be in the high position. The belt tension can then be adjusted incrementally.

偏心的襯套可以用來調整前直軸的高度與皮帶的鬆緊度，預設的前直軸位置於高處，皮帶的鬆緊可以如圖示來做調整。

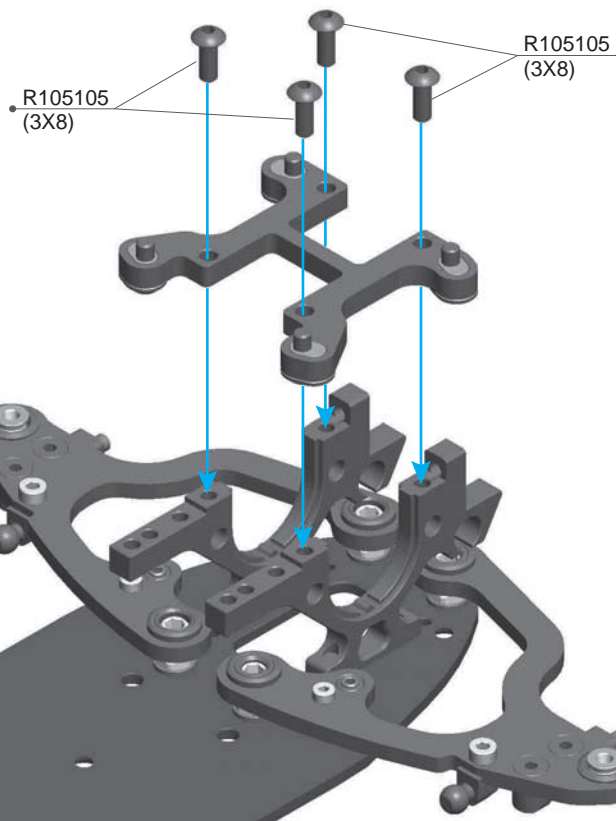


R105105 3x8 Round Screw (10)



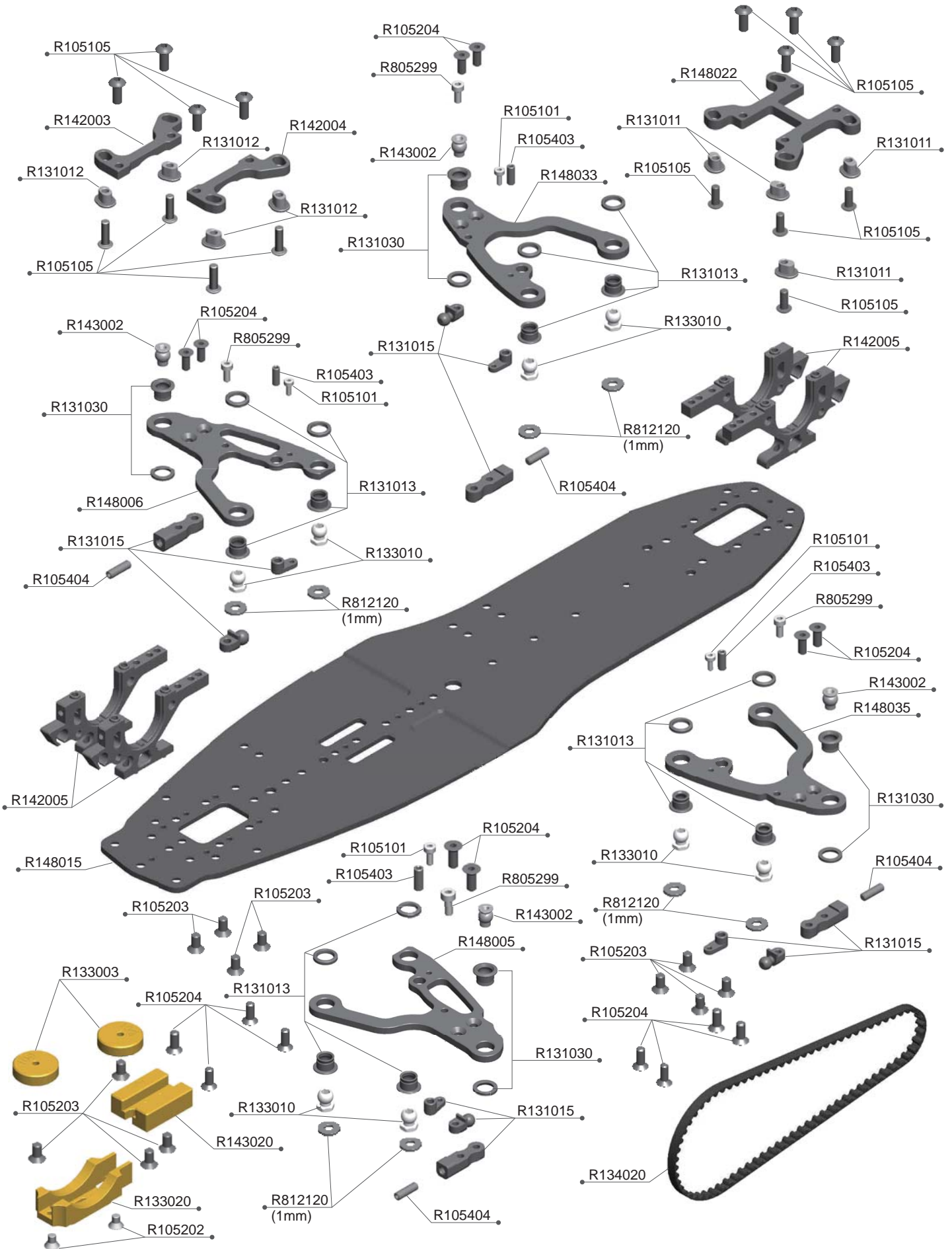
R105105
3x8 Round Screw (10)

1:1 Scale



R105105 3x8 Round Screw (10)

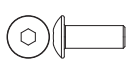
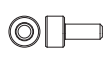

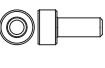

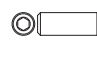

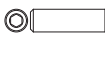

A10MF-26 BAG 02 PARTS EXPLODED VIEW



A10MF-26 BAG 02 PARTS LIST

R105101	2x5mm Cap Screw (10)	R134020	A10MF Belt S3M-234
R105105	3x8 Round Screw (10)	R142003	A10-25 Upper Bulkhead FR/RL
R105202	3x4mm Flat Screw (10)	R142004	A10-25 Upper Bulkhead FL/RR
R105203	3x6mm Flat Screw (10)	R142005	A10-25 Bulkhead
R105204	3x8mm Flat Screw (10)	R143002	5.8mm Pivot Ball Long-Titanium (2)
R105403	3x8mm Set Screw (10)	R143020	A10MF Center Weight 30g
R105404	3x10mm Set Screw (10)	R148005	A10-25 Front Low Arm-Left
R131011	Linkage Insert-Side (4)	R148006	A10-25 Front Low Arm-Right
R131012	Linkage Insert-Mid (4)	R148015	A10MF-26 Carbon Chassis-2.25mm
R131013	5.8mm Ball Socket Set (3 Sets)	R148022	A10MF-26 Rear Upper Bulkhead
R131015	Front Low Arm Parts (3)	R148033	A10MF-26 Rear Low Arm-Right
R131030	5.8mm Ball Socket Set-5mm (3 Sets)	R148035	A10MF-26 Rear Low Arm-Left
R133003	A10 Brass Weight Round Type 10g (2)	R805299	2.5x6mm Cap Screw (10)
R133010	5.8mm Pivot Ball-Titanium (2)	R812120	3x7x1mm Alu Shims (8)
R133020	A10MF Brass Weight 25g		

1:1 SCALE

	R105105 3x8 Round Screw (10)		R105101 2x5mm Cap Screw (10)
	R105202 3x4mm Flat Screw (10)		R805299 2.5x6mm Cap Screw (10)
	R105203 3x6mm Flat Screw (10)		R105403 3x8mm Set Screw (10)
	R105204 3x8mm Flat Screw (10)		R105404 3x10mm Set Screw (10)
	R812120 3x7x1mm Alu Shims (8)		



R102015
3x5.5x2mm Alu Shims (8)

R812121
3x7x2mm Alu Shims (8)



R105203
3x6mm Flat Screw (10)



R105206
3x12mm Flat Screw (10)



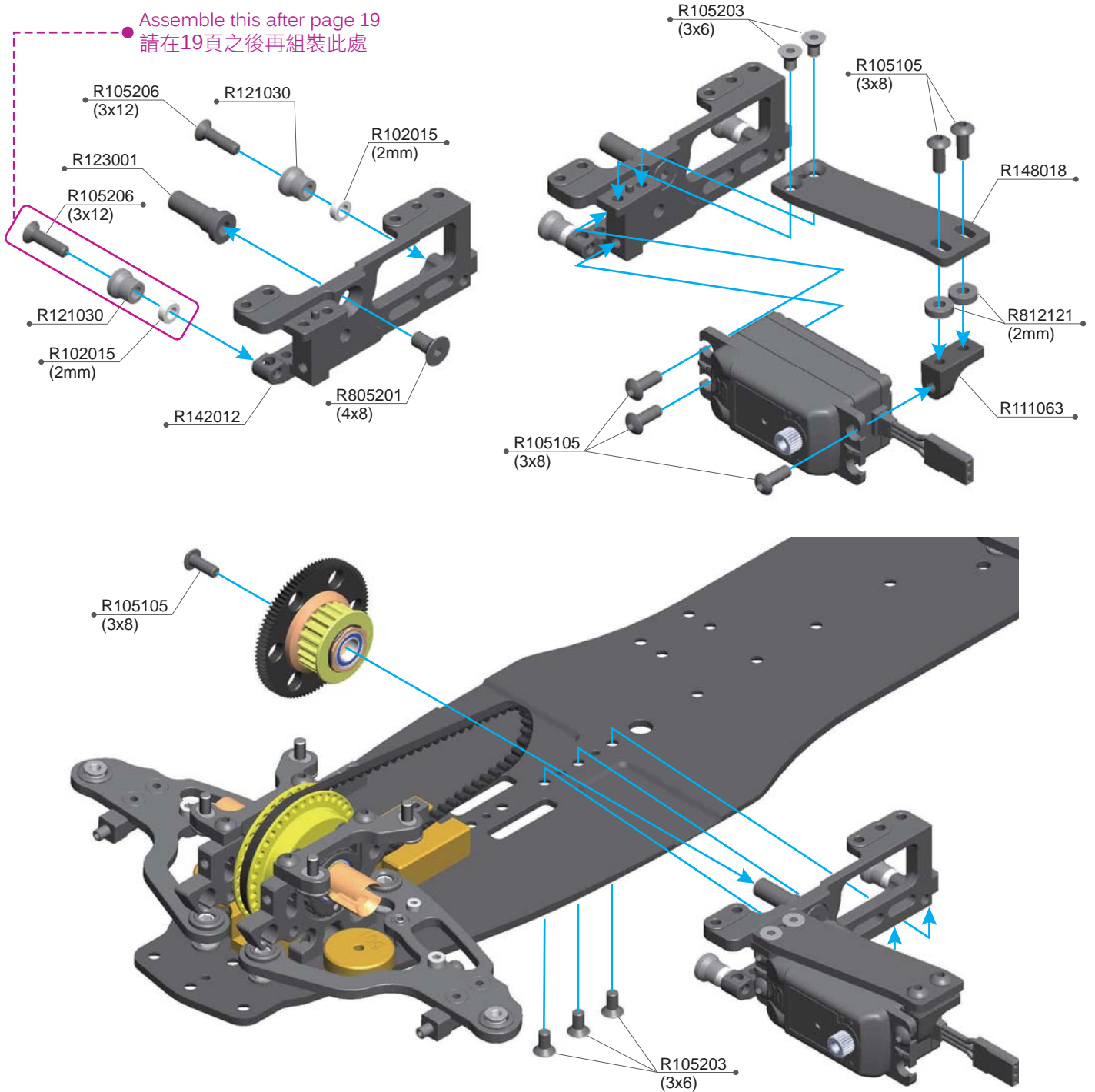
R805201
4x8mm Flat Screw (10)



R105105
3x8 Round Screw (10)

1:1 Scale

Assemble this after page 19
請在19頁之後再組裝此處

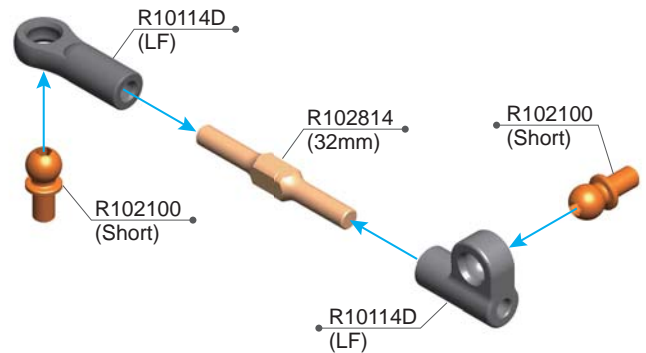
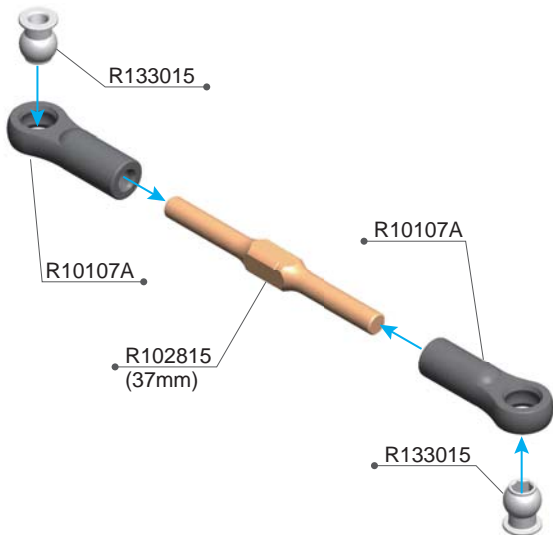
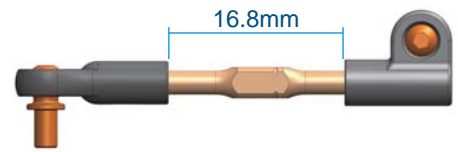


R102015 3x5.5x2mm Alu Shims(8pcs)
R105105 3x8 Round Screw (10)
R105203 3x6mm Flat Screw (10)
R105206 3x12mm Flat Screw (10)
R111063 R11 Servo Mount-Left
R121030 R12 Eccentric Hub (4)

R123001 R12 Spur Shaft
R142012 A10MF-26 Motor Mount
R148018 A10MF-26 Servo Motor Plate
R805201 4x8mm Flat Screw (10)
R812121 3x7x2mm Alu Shims (8)

R105203
3x6mm Flat Screw (10)

1:1 Scale



NOTICE



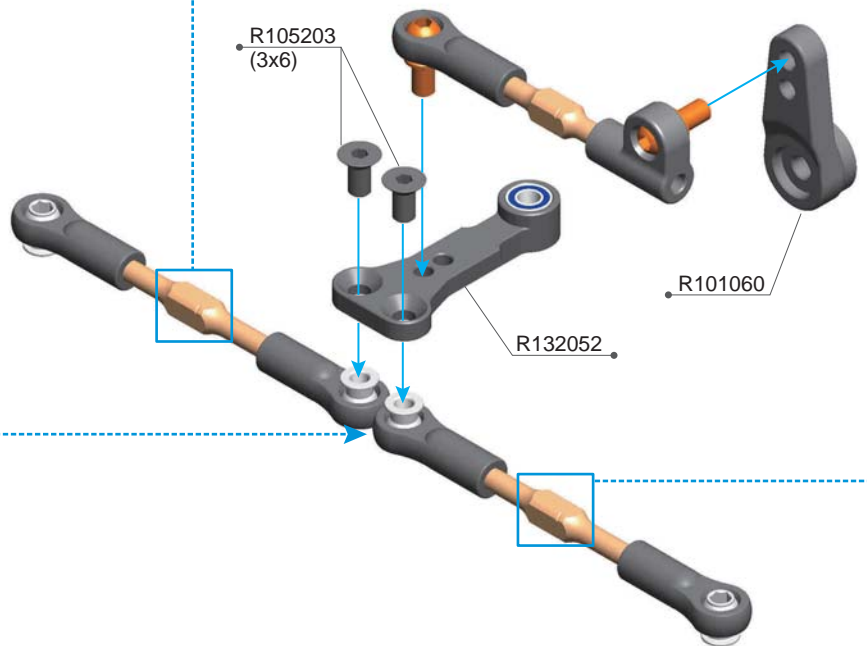
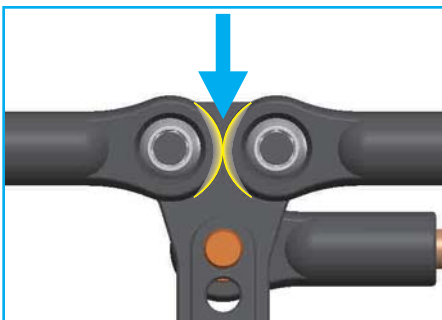
It is recommended to place the notch on each turnbuckle to the left side, which will make it easier to adjust camber and toe.

建議請將拉桿的缺口記號統一放置於左方，以便於調整前束角時方向會一致。

NOTICE

Please remove material from the ball ends as needed, to prevent them from rubbing against each other.

請依圖示修平球頭之邊角以防止磨擦。



R101060 Servo Horn Dual steering arm
R10107A Ball Joint 4.9mm Open (6pcs)
R10114D Steering Rod Ball Joint Set (LF)
R102100 Alu 4.9mm Ball End Short(4pcs)
R102814 Turnbuckle 3x32mm ALU-7075 (2pcs)

R102815 Turnbuckle 3x37mm ALU-7075 (2pcs)
R105203 3x6mm Flat Screw (10)
R132052 A10MF Bell Crank
R133015 Ball Head 4.9mm +0.5 (4)

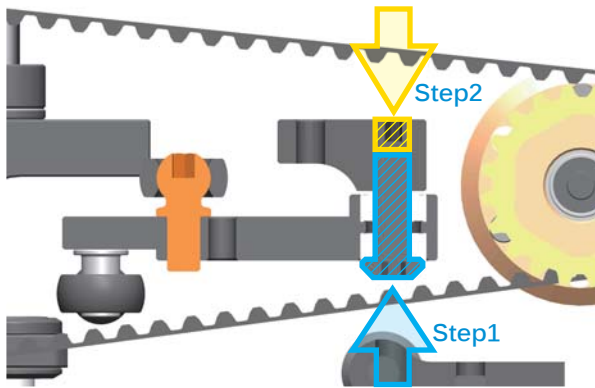
R103050
3x5x0.3mm Shims (10)

R105104
3x6 Round Screw (10)

R105401
3x3mm Set Screw (10)

1:1 Scale

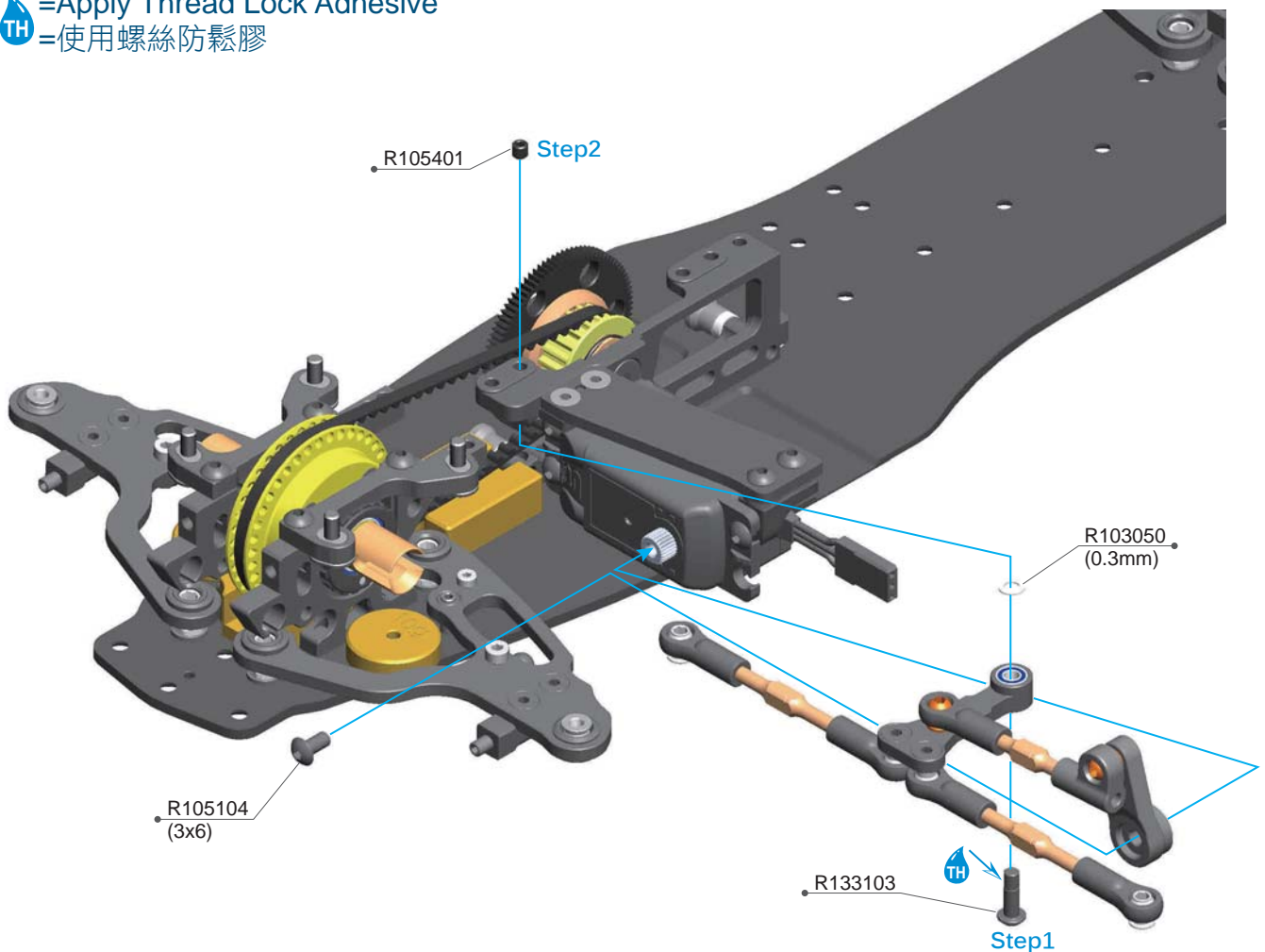
NOTICE



To ensure the bell crank rotates smoothly without play. Step 1 is to assemble the R133103 Ball Bearing Screw into motor bulkhead. Gradually tighten the screw until the bell crank movement starts to tighten. Step 2 is to then tighten the 3x3 set screw. Check the action of the bell crank, and slightly loosen the Ball Bearing Screw to improve smoothness if required. Then tighten the 3x3 set screw again to tighten the whole assembly. The aim is to have smooth bell crank action without play.

當組合轉向搖臂時需使其轉向順暢且無虛位後
步驟一 請將R133103鏢絲向上鎖到合適的鬆緊度後。
步驟二 使用一顆3x3無頭鏢絲向下去鎖緊。

TH = Apply Thread Lock Adhesive
= 使用螺絲防鬆膠



R103050 3x5x0.3mm Shims (10)
R105104 3x6 Round Screw (10)

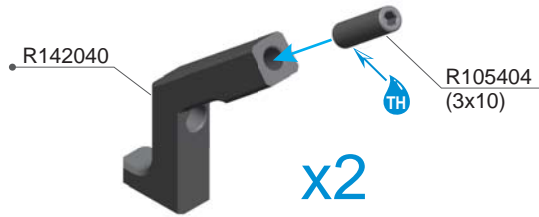
R105401 3x3mm Set Screw (10)
R133103 Ball Bearing Screw (2)

 R105105
3x8 Round Screw (10)

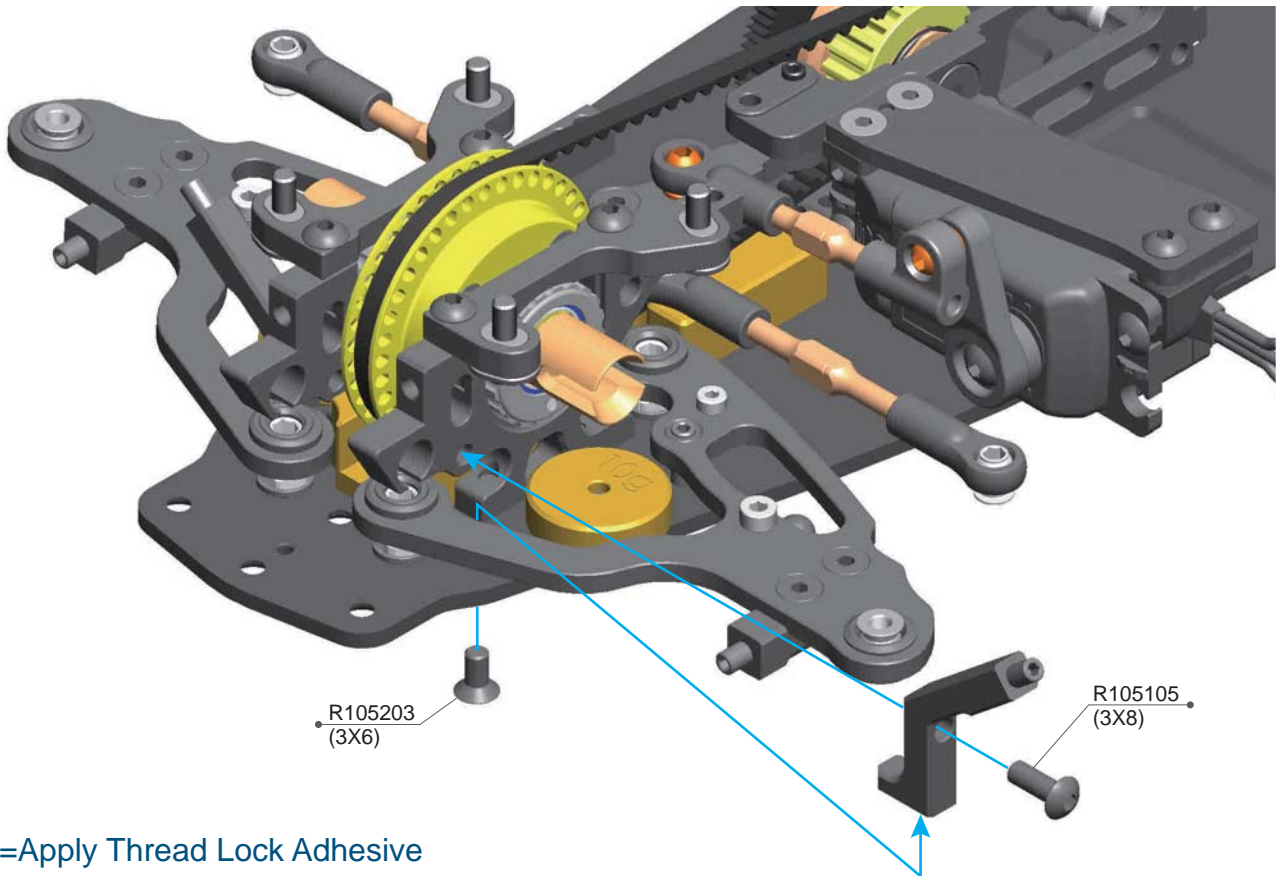
 R105203
3x6mm Flat Screw (10)

 R105404
3x10mm Set Screw (10)

1:1 Scale



x2



 =Apply Thread Lock Adhesive
=使用螺絲防鬆膠

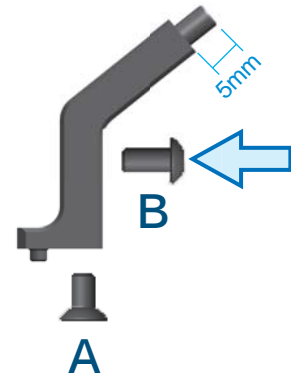
FRONT/ 前方

There are 2 screws to adjust the front shock tower flex. The default setup is install both screws (A+B). Removing bottom Screw A only will make increase front shock tower flex and reduce the initial steering response.

Removing Screw B only will also increase flex but it has a lesser effect compared to removing Screw A.

在前方的避震器支架上共有二個螺絲可以用來調整，預設為二顆螺絲全部鎖上去，當放鬆下方的螺絲A而已可以使後方的扭動增加，並降低轉向的反應。

螺絲B的效果與A相似但是效果比較不明顯。



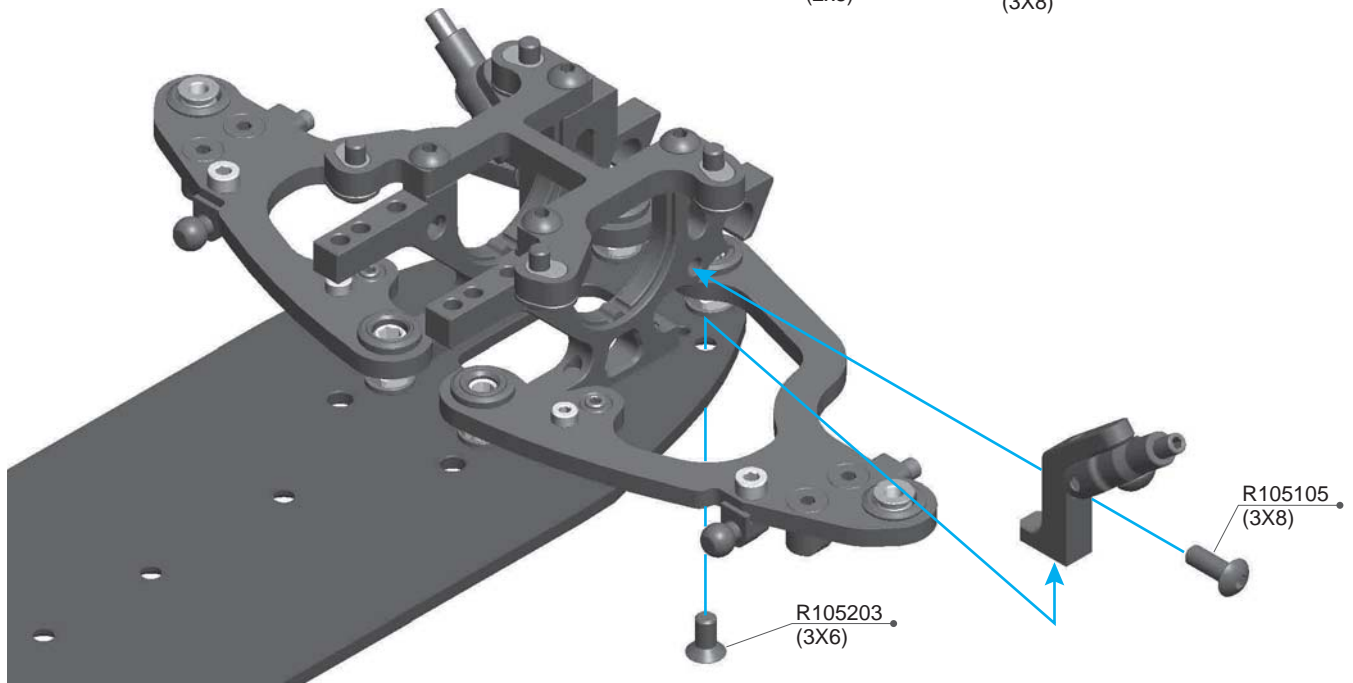
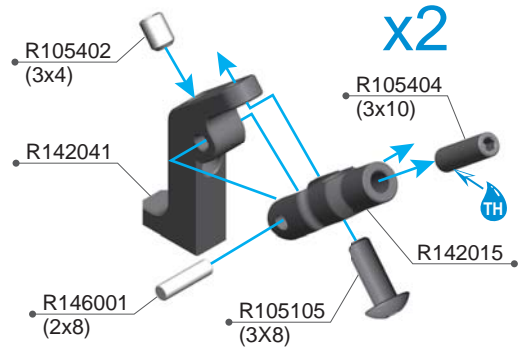
R105105 3x8 Round Screw (10)
R105203 3x6mm Flat Screw (10)

R105404 3x10mm Set Screw (10)
R142040 A10MF-26 Front Shock Tower

-  R105105
3x8 Round Screw (10)
-  R105203
3x6mm Flat Screw (10)
-  R105402
3x4mm Set Screw (10)
-  R105404
3x10mm Set Screw (10)
-  R146001
Ø2x8 Pin (10)

1:1 Scale

 =Apply Thread Lock Adhesive
=使用螺絲防鬆膠



REAR/後方

Three screws on the rear shock absorber bracket can be used for adjustment. By default, all three screws are locked.

Loosening the lower screw A will increase the rear flex and reduce the grip.

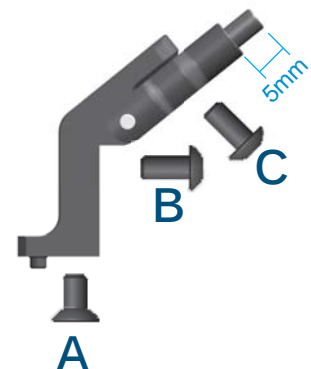
The effect of screw B is similar to that of screw A but the effect is less effect.

Loosening screw C can increase the rear droop, which is suitable for use in chicane corner and can speed up the time to complete the corner.

在後方的避震器支架上共有三個螺絲可以用來調整，預設為三顆螺絲全部鎖上去，當放鬆下方的螺絲A而已可以使後方的扭動增加，並降低抓地力。

螺絲B的效果與A相似但是效果比較不明顯。

放鬆螺絲C可以增加後方的行程量，適合在左右快速換邊的彎道使用，可加速彎道完成的時間。



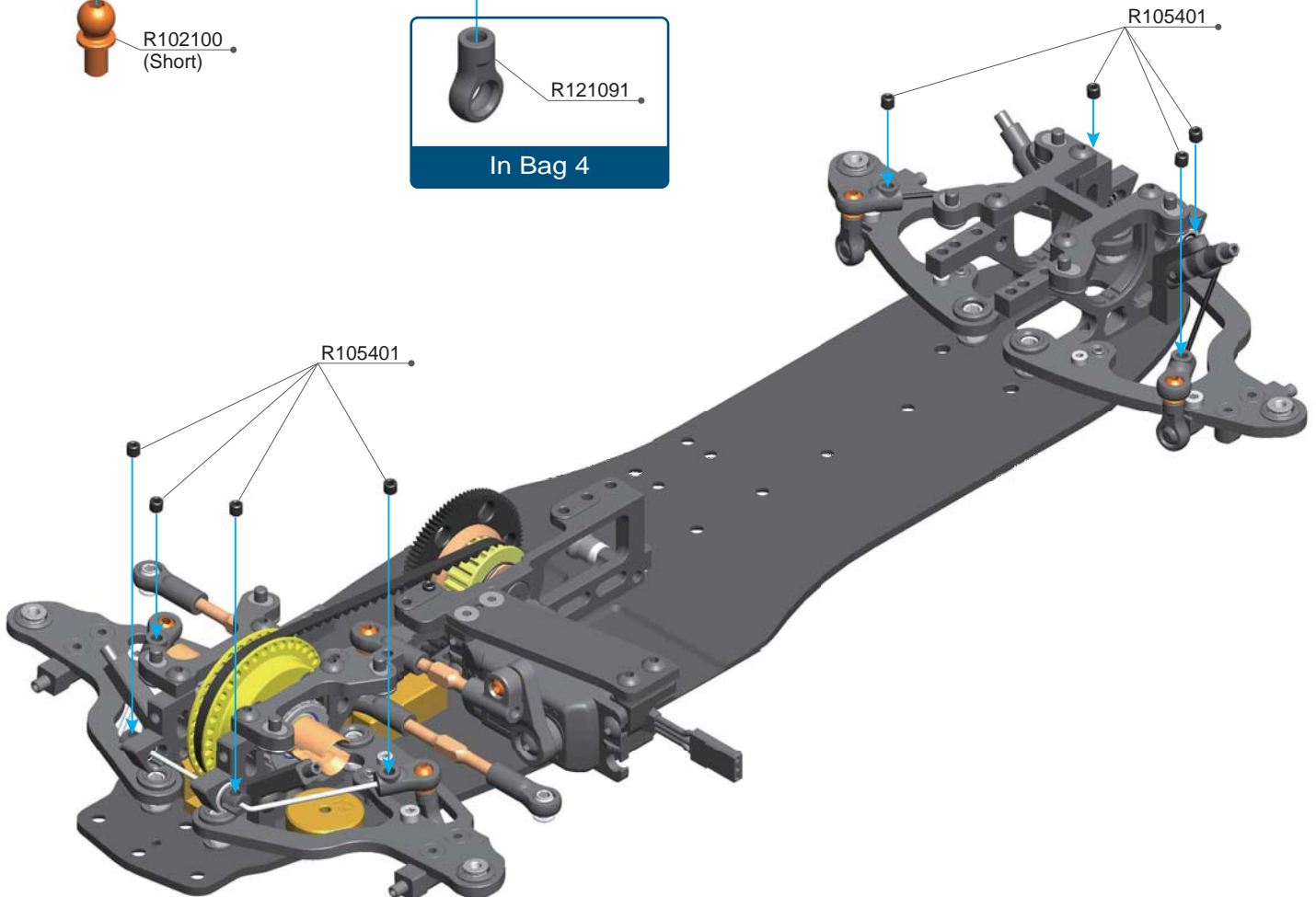
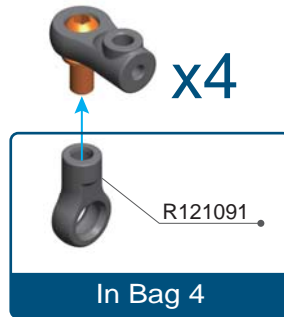
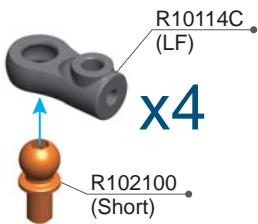
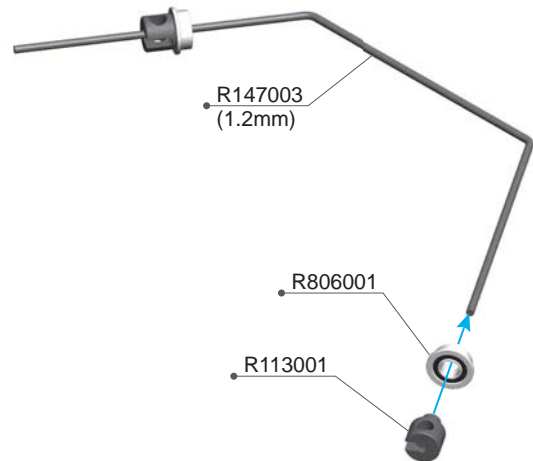
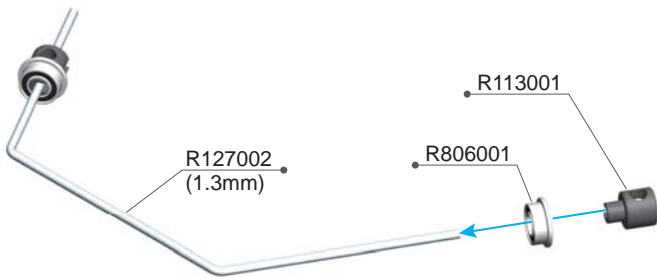
- R105105 3x8 Round Screw (10)
- R105203 3x6mm Flat Screw (10)
- R105402 3x4mm Set Screw (10)
- R105404 3x10mm Set Screw (10)

- R142015 A10-25 Rear Shock Tower-Upper
- R142041 A10MF-26 Rear Shock Tower Base
- R146001 2x8mm Pin (4)

R105401
3x3mm Set Screw (10)

R806001
3x6x2.5mm Flange Ball Bearing (2)

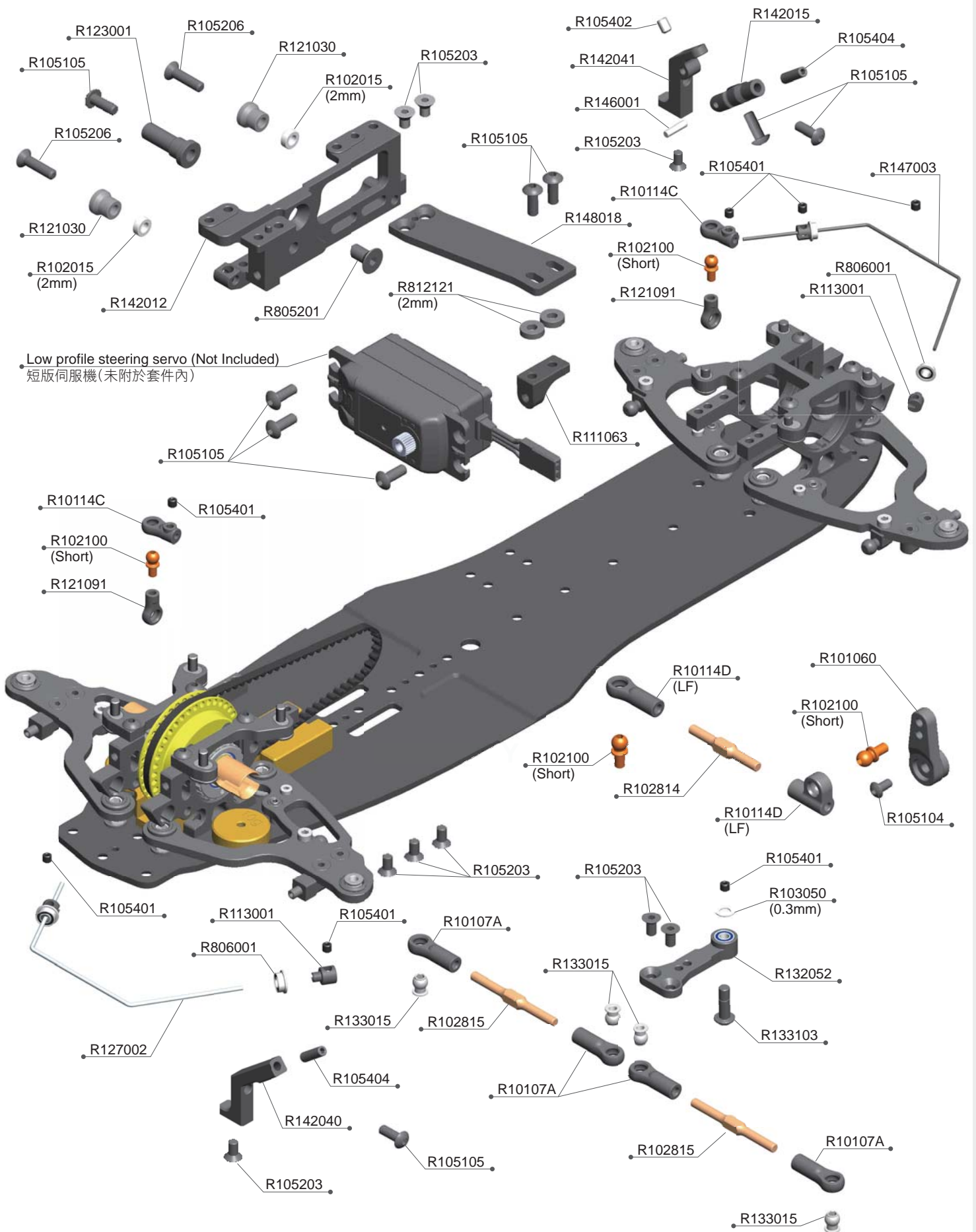
1:1 Scale



R10114C Anti Roll Bar Joint 4pcs (LF)
R102100 Alu 4.9mm Ball End Short(4pcs)
R105401 3x3mm Set Screw (10)
R113001 Anti-Roll Bar Holder (2)

R121091 Ball End 4.9mm Ex-Short (4)
R127002 R12 Front Anti-Roll Bar 1.3mm
R147003 A10-25 Rear Anti-Roll Bar 1.2mm
R806001 3x6x2.5 Flange Ball Bearing (2)

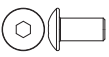

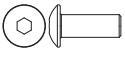



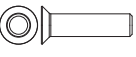




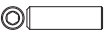
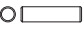
A10MF-26 BAG 03 PARTS EXPLODED VIEW



A10MF-26 BAG 03 PARTS LIST

R101060	Servo Horn Dual steering arm	R121030	R12 Eccentric Hub (4)
R10107A	Ball Joint 4.9mm Open (6pcs)	R121091	Ball End 4.9mm Ex-Short (4)
R10114C	Anti Roll Bar Joint 4pcs (LF)	R123001	R12 Spur Shaft
R10114D	Steering Rod Ball Joint Set (LF)	R127002	R12 Front Anti-Roll Bar 1.3mm
R102015	3x5.5x2mm Alu Shims(8pcs)	R132052	A10MF Bell Crank
R102100	Alu 4.9mm Ball End Short(4pcs)	R133015	Ball Head 4.9mm +0.5 (4)
R102814	Turnbuckle 3x32mm ALU-7075 (2pcs)	R133103	Ball Bearing Screw (2)
R102815	Turnbuckle 3x37mm ALU-7075 (2pcs)	R142012	A10MF-26 Motor Mount
R103050	3x5x0.3mm Shims (10)	R142015	A10-25 Rear Shock Tower-Upper
R105104	3x6 Round Screw (10)	R142040	A10MF-26 Front Shock Tower
R105105	3x8 Round Screw (10)	R142041	A10MF-26 Rear Shock Tower Base
R105203	3x6mm Flat Screw (10)	R146001	2x8mm Pin (4)
R105206	3x12mm Flat Screw (10)	R147003	A10-25 Rear Anti-Roll Bar 1.2mm
R105401	3x3mm Set Screw (10)	R148018	A10MF-26 Servo Motor Plate
R105402	3x4mm Set Screw (10)	R805201	4x8mm Flat Screw (10)
R105404	3x10mm Set Screw (10)	R806001	3x6x2.5 Flange Ball Bearing (2)
R113001	Anti-Roll Bar Holder (2)	R812121	3x7x2mm Alu Shims (8)
R111063	R11 Servo Mount-Left		

1:1 SCALE

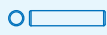
	R105104 3x6 Round Screw (10)		R102015 3x5.5x2mm Alu Shims (8)
	R105105 3x8 Round Screw (10)		R103050 3x5x0.3mm Shims (10)
	R105203 3x6mm Flat Screw (10)		R812121 3x7x2mm Alu Shims (8)
	R105206 3x12mm Flat Screw (10)		R105401 3x3mm Set Screw (10)
	R805201 4x8mm Flat Screw (10)		R105402 3x4mm Set Screw (10)
	R806001 3x6x2.5mm Flange Ball Bearing (2)		R105404 3x10mm Set Screw (10)
			R146001 Ø2x8 Pin (10)

FRONT STEERING BLOCK / 前方轉向組合說明

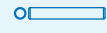
BAG 04



R106012
Low Friction Ball Bearing
5x10x4 (4)



R106102
Ø2x10 Pin (10)



R136001
Ø1.5x10 Pin (10)



R133011
5x7x1.7mm Shims (2)



R115011
2x6mm Cap Screw (10)

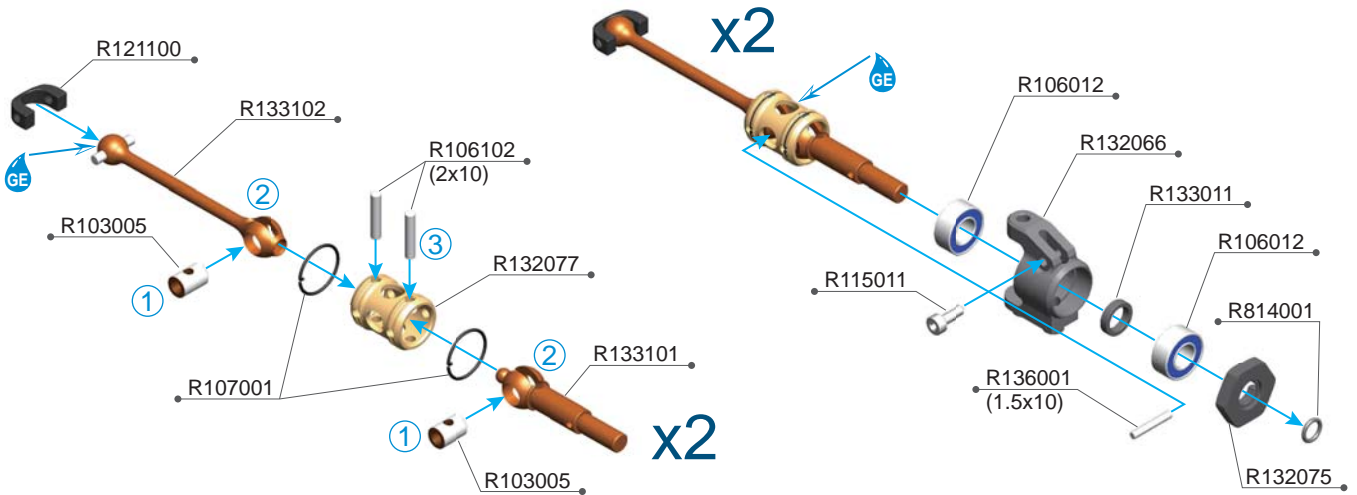
1:1 Scale

NOTICE

R149001 D.J CVD V2 Set (2)



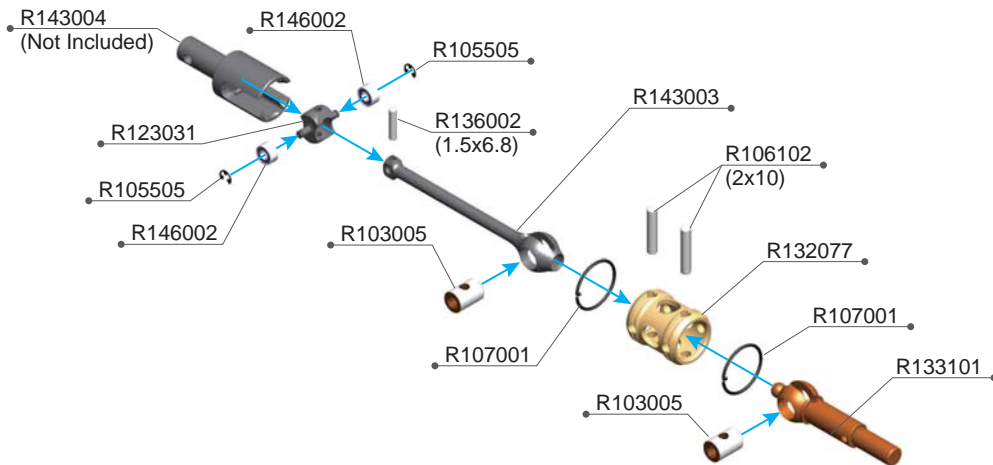
Front D.J CVD **x2**



GE = Apply Grease / 使用潤滑油

Option Parts (Not Included) / 改裝品 (未附於套件內)

R149004 A10 B.B DJ Driveshaft Set (2)



- | | | | |
|---------|---|---------|--------------------------|
| R103005 | CVD Insert (2pcs) | R132075 | Hex Hub V2 (2) |
| R106012 | Low Friction Ball Bearing 5x10x4 (4pcs) | R132077 | D.J CVD Joint V2-Alu (2) |
| R106102 | 2x10mm Pin (10pcs) | R133011 | 5x7x1.7 Steel Ring (2) |
| R107001 | CVD G-Clip(8pcs) | R133101 | D.J CVD Wheel Shaft V2 |
| R115011 | 2x6mm Cap Screw (10) | R133102 | D.J CVD Shaft V2 (2) |
| R121100 | C Cap V2 (16pcs) | R136001 | 1.5x10 Pin (10) |
| R132066 | A10 Steering Block-Alu | R814001 | 2x1.5 O'ring (6) |

FRONT STEERING BLOCK / 前方轉向組合說明

BAG 04

R102015
3x5.5x2mm Alu Shims(8pcs)

R812121
3x7x2mm Alu Shims (8)

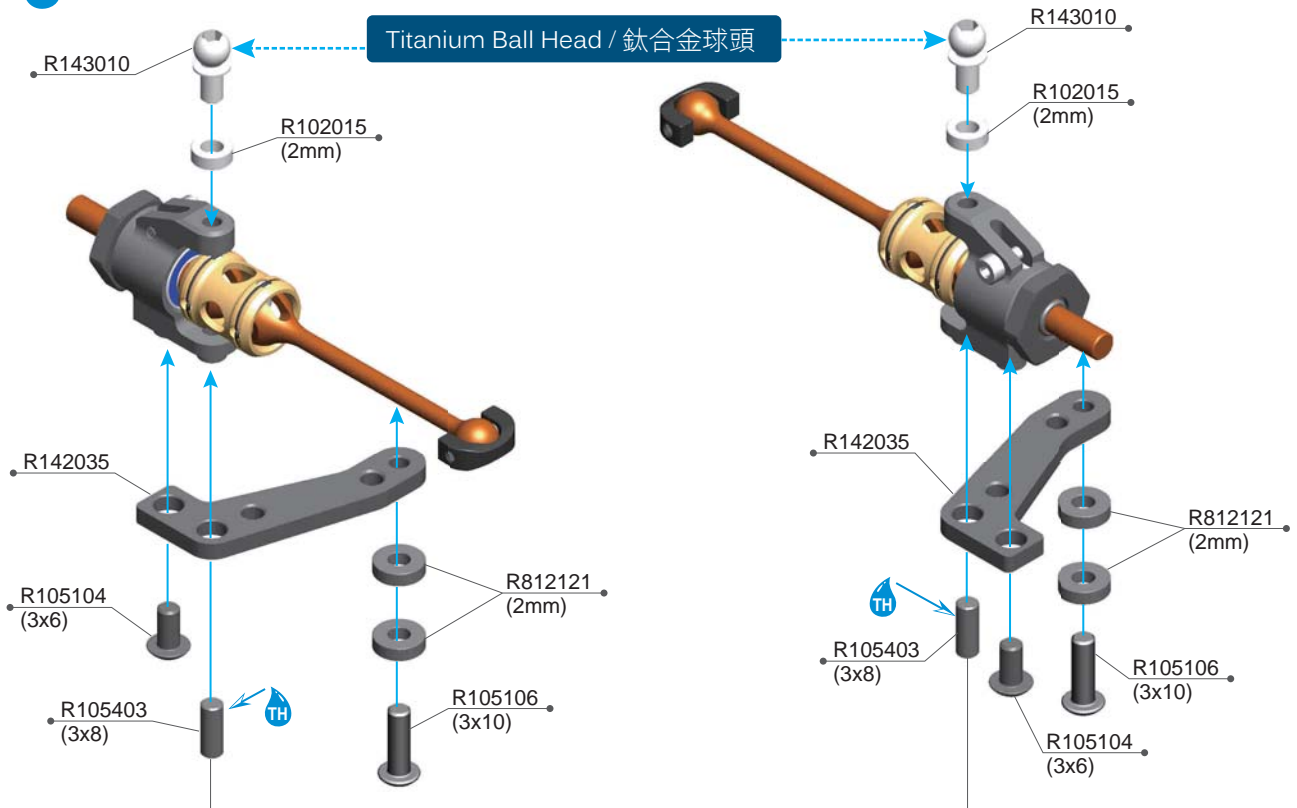
R105104
3x6 Round Screw (10)

R105106
3x10 Round Screw (10)

R105403
3x8mm Set Screw (10)

1:1 Scale

TH =Apply Thread Lock Adhesive / 使用螺絲防鬆膠



NOTICE

Please apply thread lock adhesive (TiTAN#20201) onto the 3x8 set screw in this area. It will secure the screw with the aluminum steering block to prevent loosening due to vibration.

於3x8無頭螺絲此處使用防鬆膠，建議使用TiTAN #20201 強力防鬆膠，再鎖入鋁合金輪座後可以防止鬆脫。




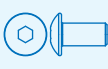
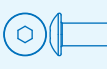




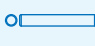
Please leave 3.5mm length here.
請在此保留3.5mm 的長度。

R102015 3x5.5x2mm Alu Shims(8pcs)
R105104 3x6 Round Screw (10)
R105106 3x10 Round Screw (10)
R105403 3x8mm Set Screw (10)

R142035 Steering Plate-Alu
R143010 Titanium 4.85x5mm Ball End (2)
R812121 3x7x2mm Alu Shims (8)

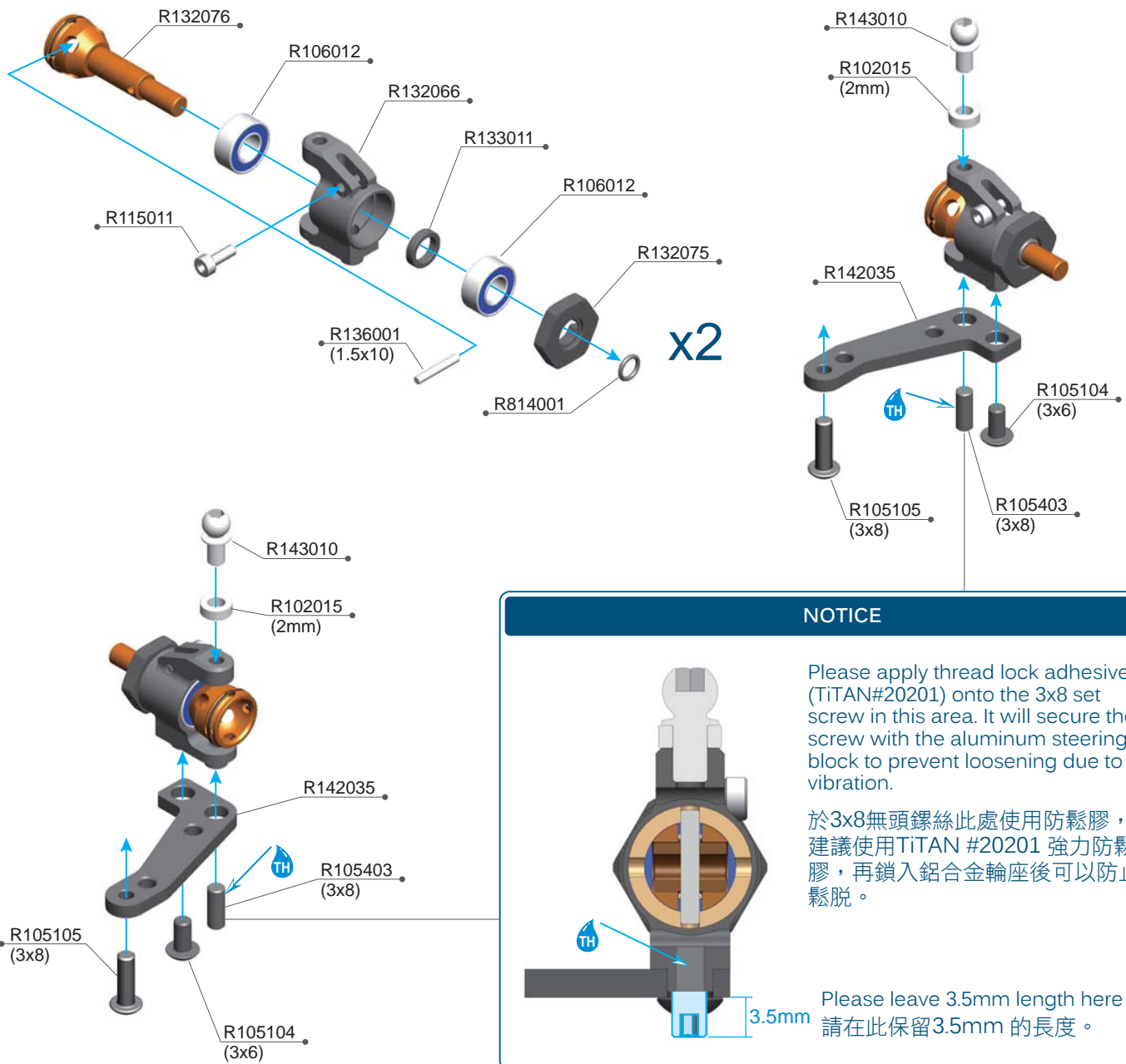
REAR STEERING BLOCK / 後方轉向組合說明

BAG 04

 R102015 3x5.5x2mm Alu Shims (8)	 R105104 3x6 Round Screw (10)	 R105105 3x8 Round Screw (10)	 R106012 Low Friction Ball Bearing 5x10x4 (4)	 R133011 5x7x1.7mm Shims (2)
 R105403 3x8mm Set Screw (10)	 R115011 2x6mm Cap Screw (10)	 R136001 Ø1.5x10 Pin (10)		

1:1 Scale

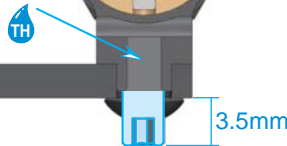
 =Apply Thread Lock Adhesive / 使用螺絲防鬆膠



NOTICE

Please apply thread lock adhesive (TiTAN#20201) onto the 3x8 set screw in this area. It will secure the steering block to prevent loosening due to vibration.

於3x8無頭螺絲此處使用防鬆膠，建議使用TiTAN #20201 強力防鬆膠，再鎖入鋁合金輪座後可以防止鬆脫。



Please leave 3.5mm length here. 請在此保留3.5mm 的長度。

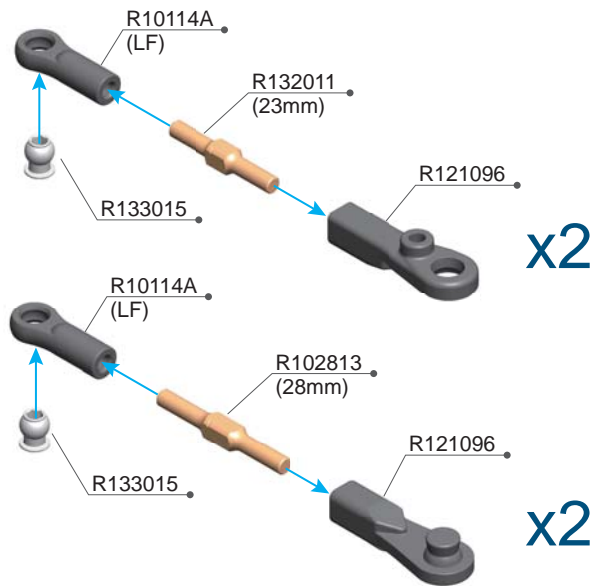
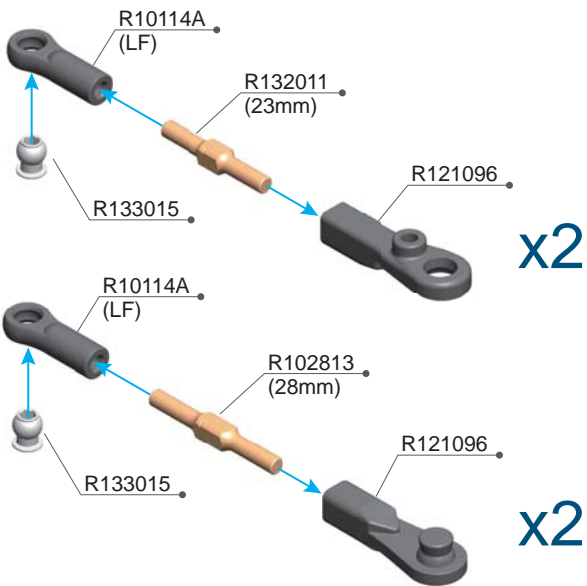
R102015	3x5.5x2mm Alu Shims(8pcs)
R105104	3x6 Round Screw (10)
R105105	3x8 Round Screw (10)
R105403	3x8mm Set Screw (10)
R106012	Low Friction Ball Bearing 5x10x4 (4pcs)
R115011	2x6mm Cap Screw (10)
R132066	A10 Steering Block-Alu

R132075	Hex Hub V2 (2)
R132076	CVD Wheel Axle V2 (2)
R133011	5x7x1.7 Steel Ring (2)
R136001	1.5x10 Pin (10)
R142035	Steering Plate-Alu
R143010	Titanium 4.85x5mm Ball End (2)
R814001	2x1.5 O'ring (6)

FRONT / 前連桿

REAR / 後連桿

BAG 04

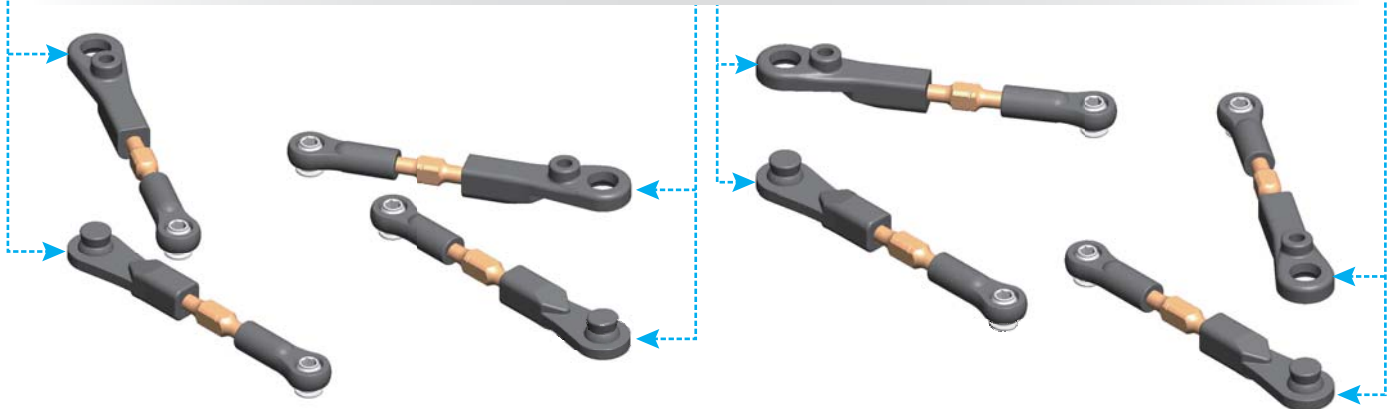


NOTICE

FRONT / 前連桿

REAR / 後連桿

Press top and bottom ball ends together with even pressure / 請上下平均壓入來組合此球頭

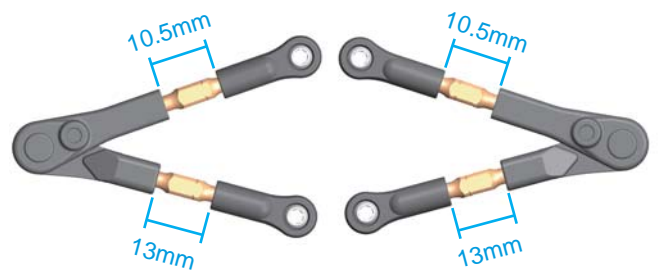
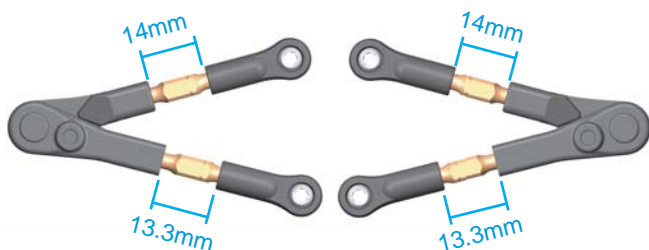


FRONT END / 車頭方向

FRONT / 前連桿

Initial Setup / 起始設定

REAR / 後連桿



R10114A Ball Joint 4.9mm Open 6pcs (LF)
 R102813 Turnbuckle 3x28mm ALU-7075 (2pcs)
 R121096 Upper A-Arm V3 (2)

R132011 Turnbuckle 3x23mm Alu-7075 (2)
 R133015 Ball Head 4.9mm +0.5 (4)



R102015
3x5.5x2mm Alu Shims (8)



R102017
3X5.5X3mm Alu Shims(4pcs)



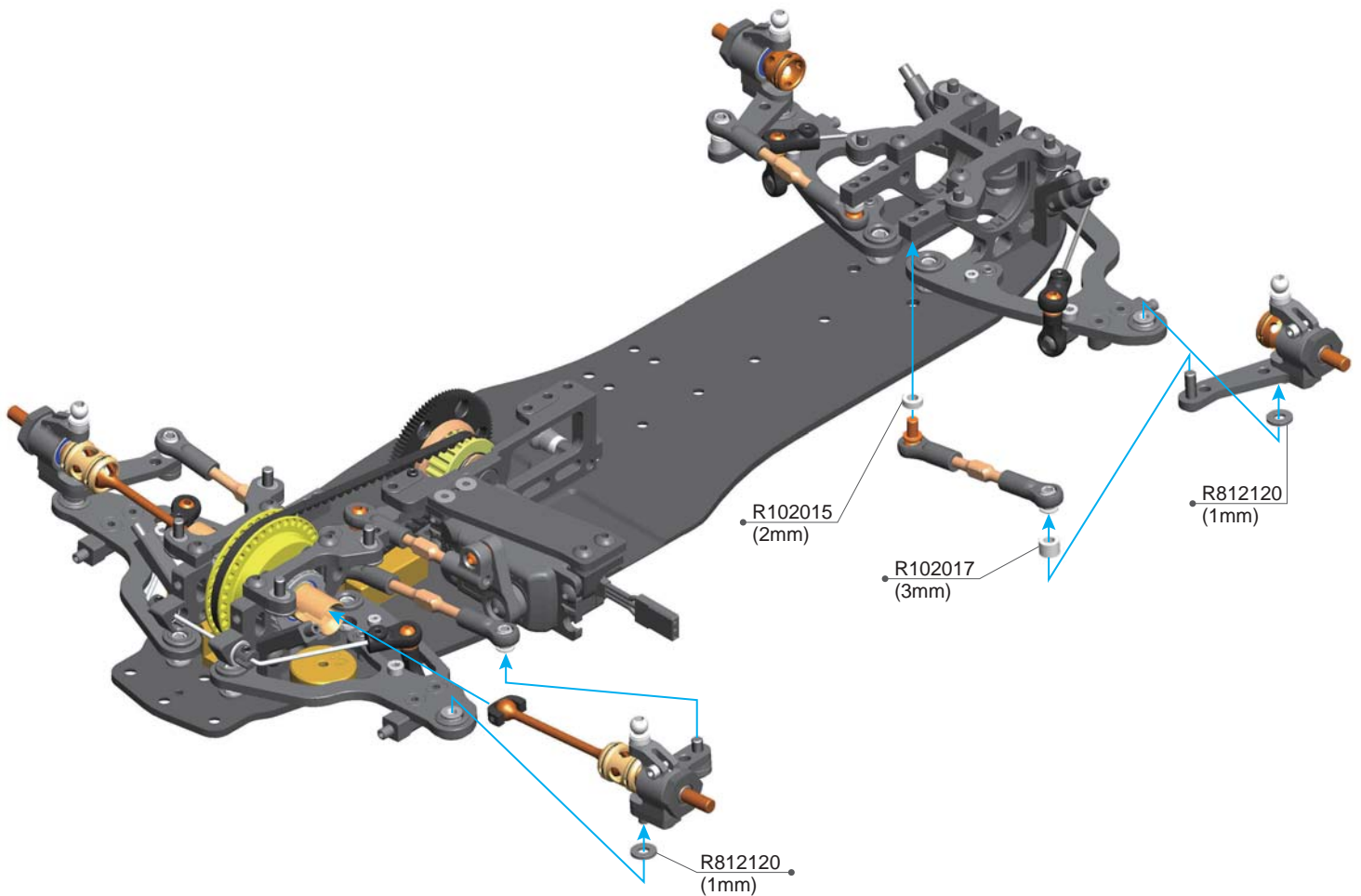
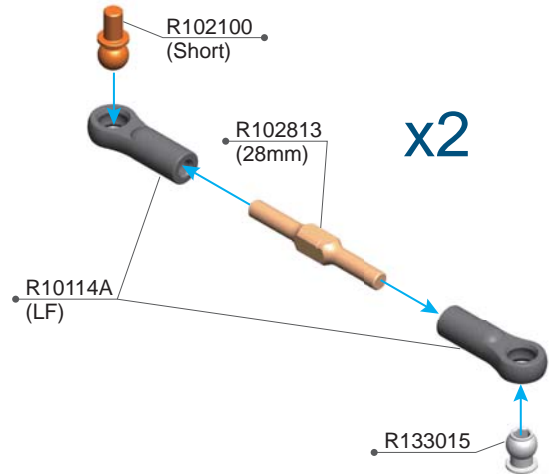
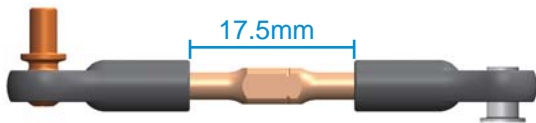
R812120
3x7x1mm Alu Shims (8)

1:1 Scale

Rear Toe linkage length / 後連桿長度

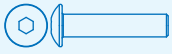
Set the Rear Toe linkage length to 17.5mm. With 2mm shims on the Rear Toe steering block, this will provide 2 degree rear toe at normal ride height.

後連桿長度預設為17.5mm，此時後前束角為2度。



R10114A Ball Joint 4.9mm Open 6pcs (LF)
R102015 3x5.5x2mm Alu Shims(8pcs)
R102017 3x5.5x3mm Alu Shims(4pcs)
R102100 Alu 4.9mm Ball End Short(4pcs)

R102813 Turnbuckle 3x28mm ALU-7075 (2pcs)
R133015 Ball Head 4.9mm +0.5 (4)
R812120 3x7x1mm Alu Shims (8)

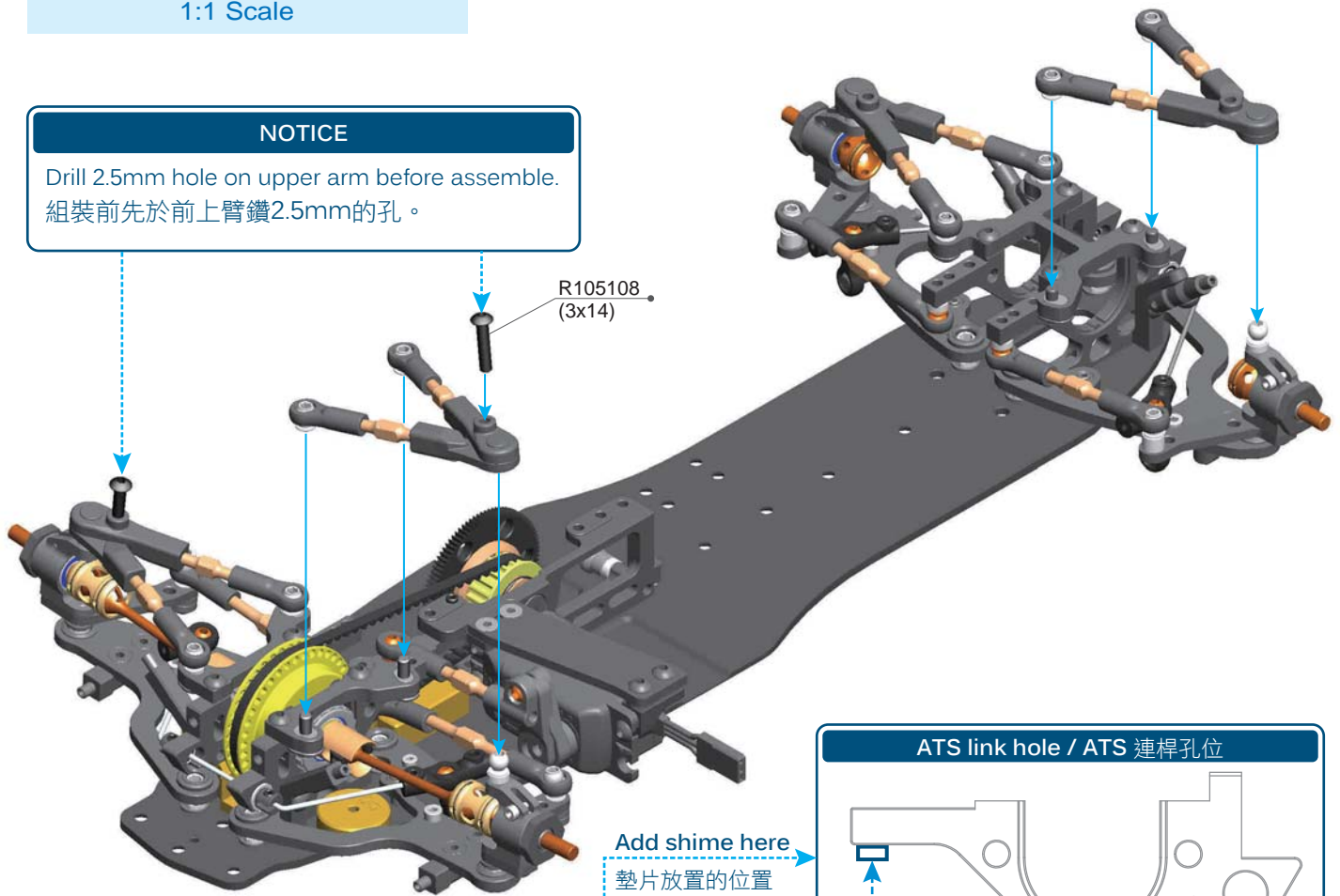


R105108
3x14 Round Screw (10)

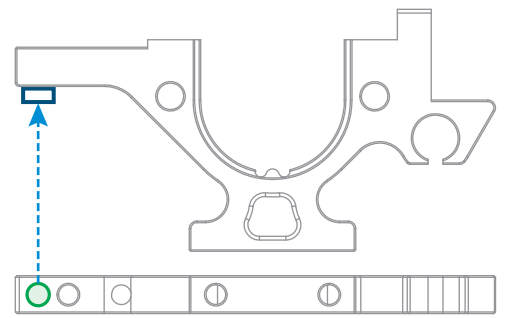
1:1 Scale

NOTICE

Drill 2.5mm hole on upper arm before assemble.
組裝前先於前上臂鑽2.5mm的孔。



ATS link hole / ATS 連桿孔位



NOTICE

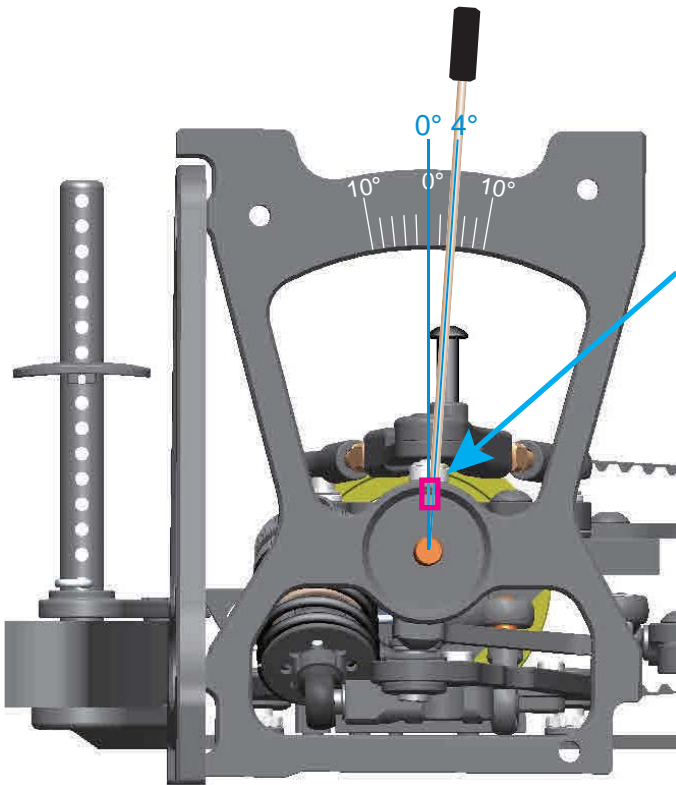
ATS Rear Toe Linkage Setup Instruction / ATS後連桿設定說明

The active toe angle can be adjusted by shims.
The default shim is 3 mm, which can change the toe angle by 0.4 degrees (1mm/0.2 degree) when fully pushed down.
When changing the shims to 1mm, the toe angle will become fixed.

動態的前束角(ATS)可以透過墊片來調整他變化的量，預設的墊片是3mm，可以使的前束角的在下壓時增加0.4度（1mm/0.2度），如將墊片改成1mm時變化量為0。



CASTER ANGLE ADJUSTMENT

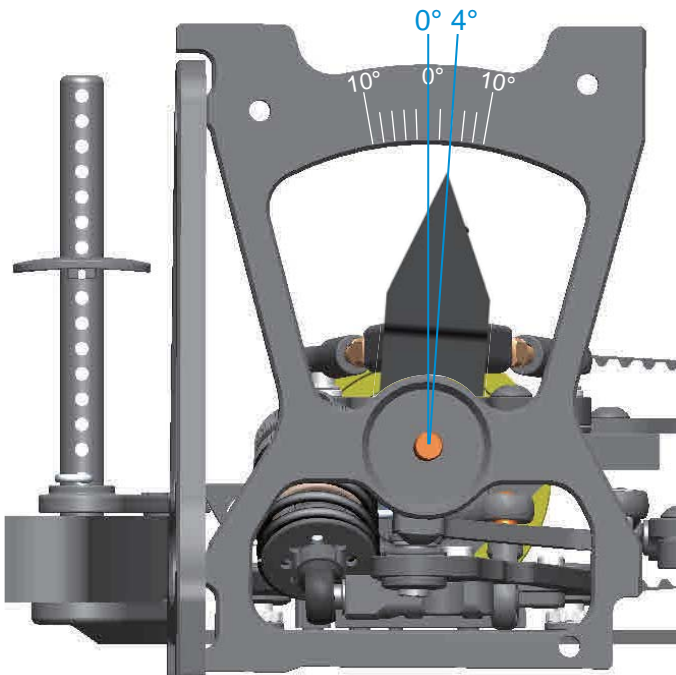


Use 2.0mm hex screw and insert the hex head into here to be a caster gauge.

使用2.0mm 的六角工具頭並塞入此處來做為量測後傾角的工具。

Measure the caster angle together with setup station and read the caster angle this way.

在使用調車架時，請由此方向來讀取後傾角的度數。



The option R144022 A10 Caster Gauge (Not included in the kit) can use to measure the front and rear caster angle.

可以另外購買R144022 A10 Caster Gauge 來量測並設定前後的傾角。

To adjust the caster and camber angle, please adjust 2 linkages on the upper arm.
當調整後傾角外傾角時，請同時調整上拉桿的長度來完成。



R103050
3x5x0.3mm Shims (10)



R105104
3x6 Round Screw (10)



R106001
3x6x2.5mm Ball Bearing (2)

1:1 Scale

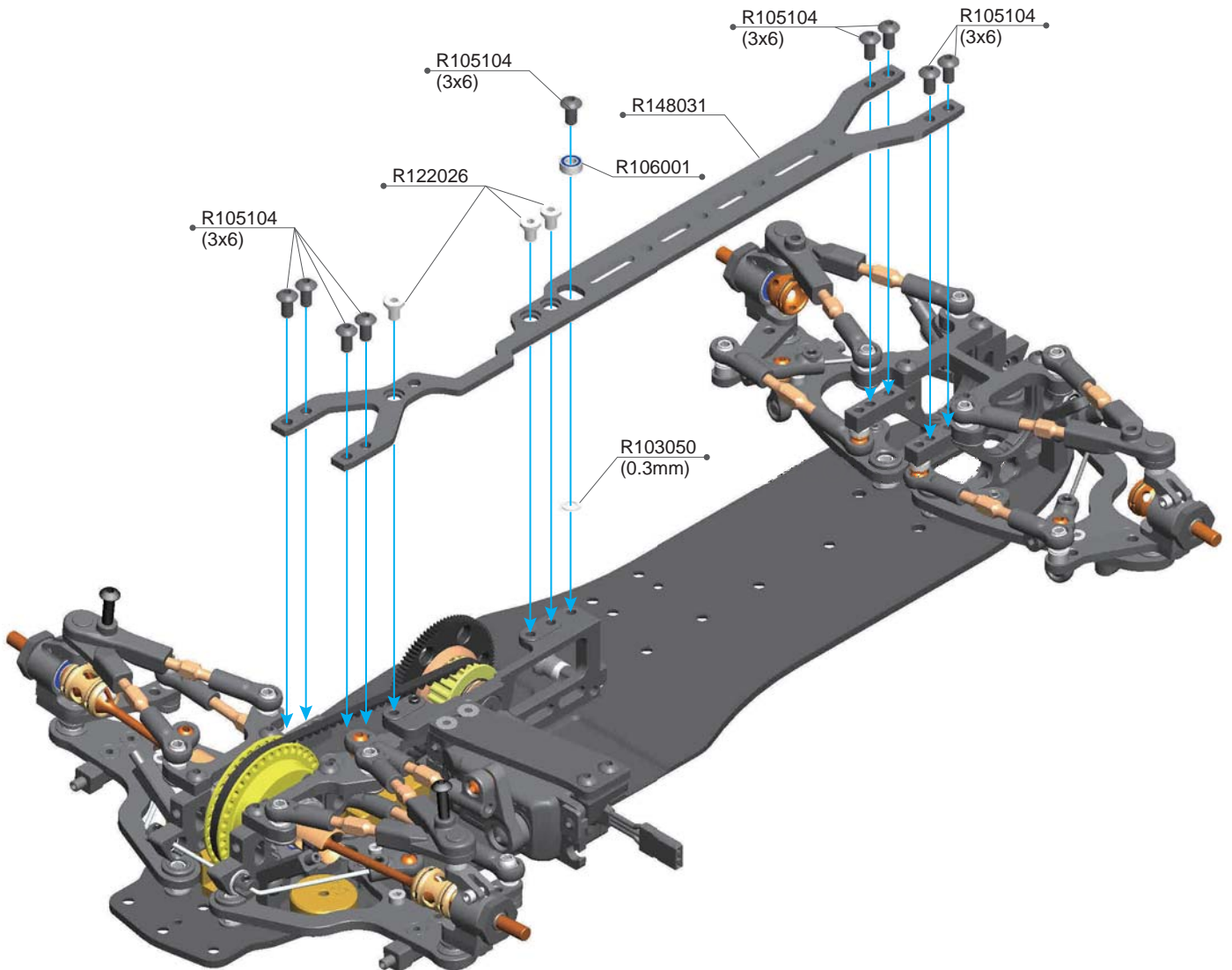
Option Parts (Not Included) / 改裝品(未附於套件內)

R148020 A10MF Front Upper Deck-Flex

R138042 A10MF Upper Deck-Rear

The optional 2-piece top decks are a useful tuning aid to fine tune the flex for the A10. It allows front and rear flex to be independently adjusted according to track conditions.

分離式的二樓板前方二樓板R138020,後方二樓板R138042這二種改裝二樓板可以用來調整A10, 相比於原廠一片式二樓板, 分離式的前方與後方分別可以分開調整。



R103050 3x5x0.3mm Shims (10)
R105104 3x6 Round Screw (10)
R106001 3x6x2.5mm Ball Bearing (2)

R122026 R12 Upper Deck Screw-Titanium (3)
R148031 A10MF-26 Upper Deck

NOTICE

R142034 Aluminum Tower 27mm (2)

The chassis flex at the rear of the car can be adjusted using R142034 at four different hole locations. The position of the installed posts will affect the way the chassis flexes in this area.

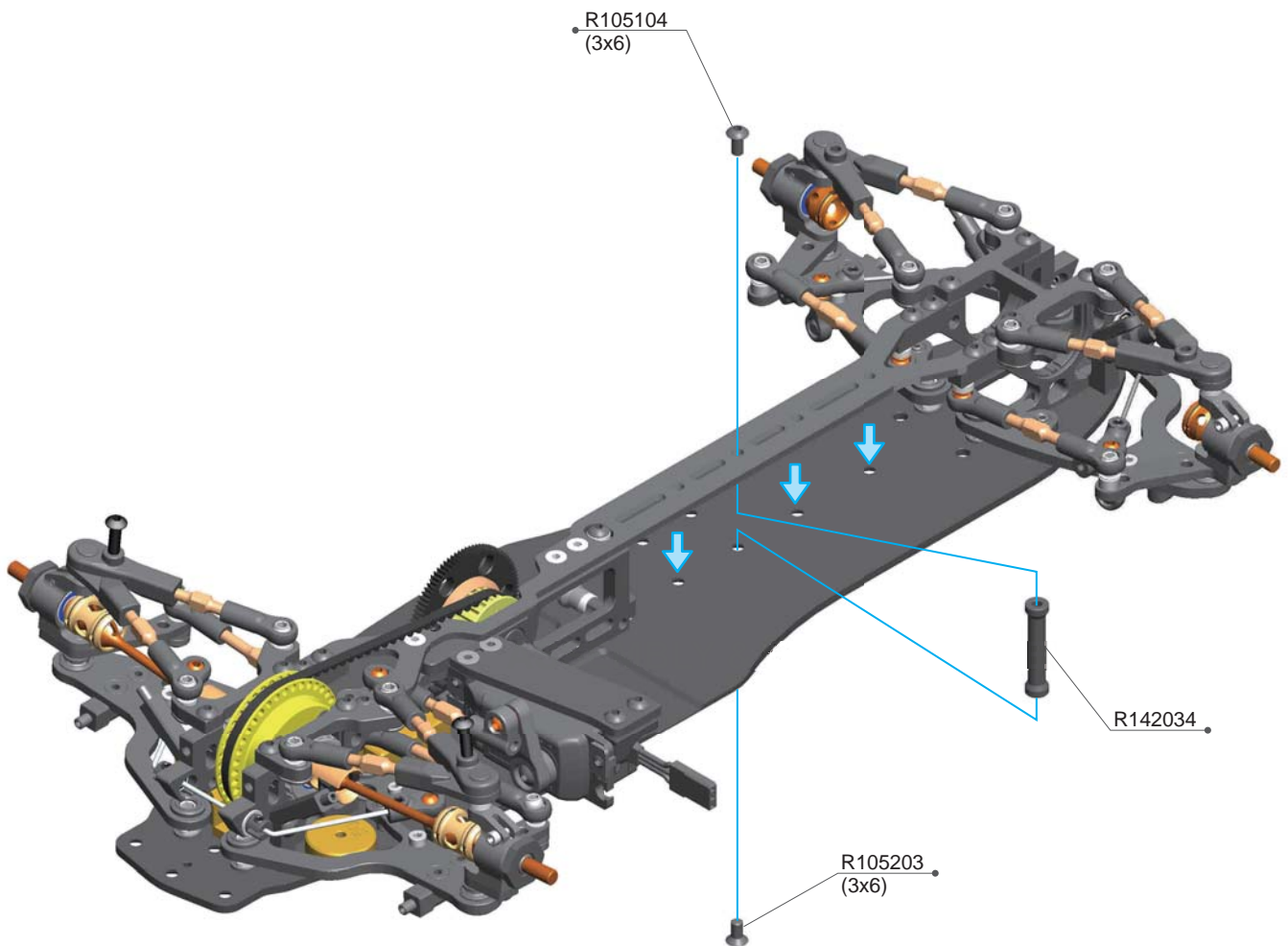
Also the more posts that are installed, the harder the flex chassis will be.

R142034 可以分別透過四個不同的孔位來調整車身後方的扭動。
 如果裝設越多車身會越硬。
 在一般情況下越硬的車身可以增加越多的抓地力。

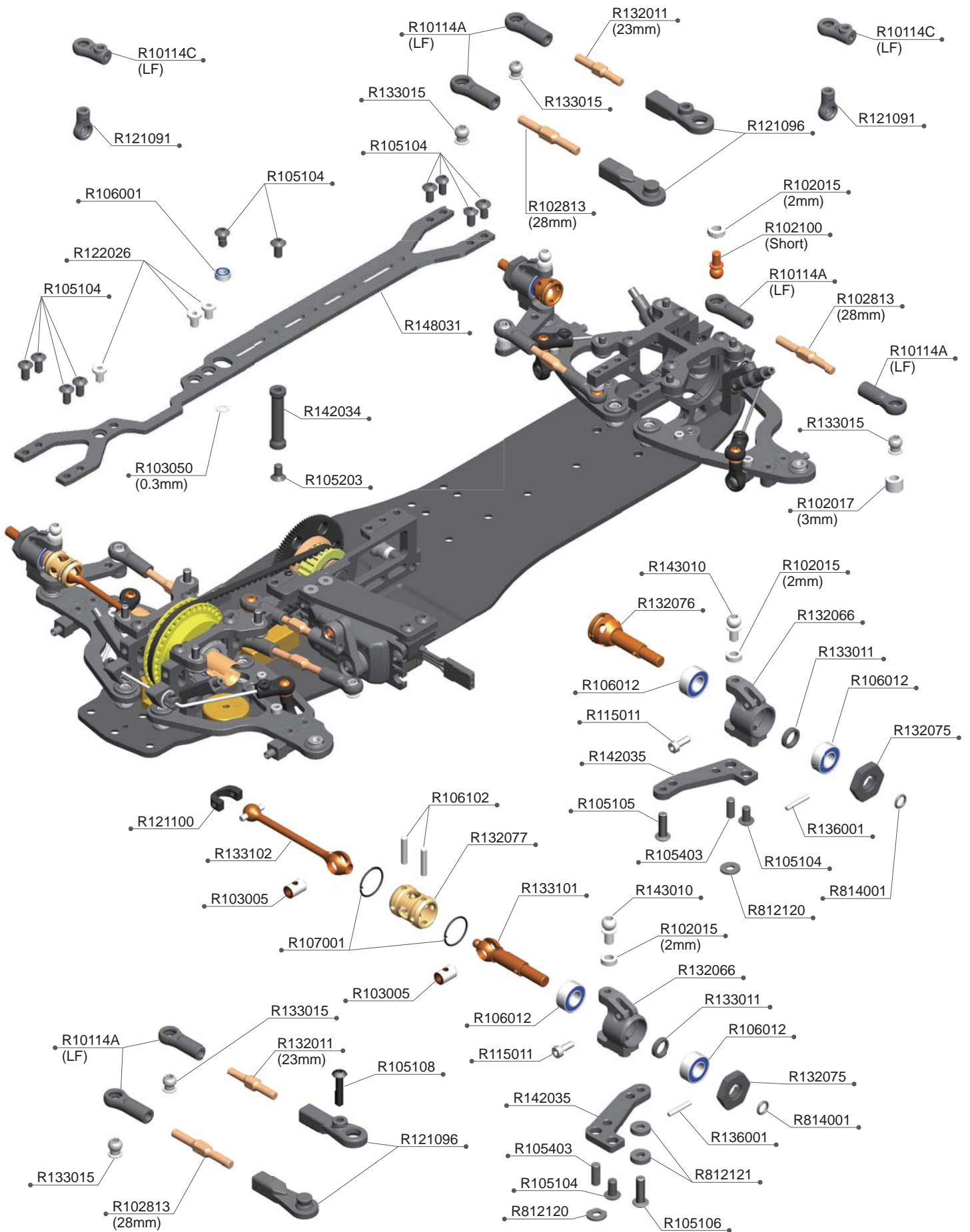
 R105104
3x6 Round Screw (10)

 R105203
3x6mm Flat Screw (10)

1:1 Scale



















A10MF-26 BAG 04 PARTS EXPLODED VIEW

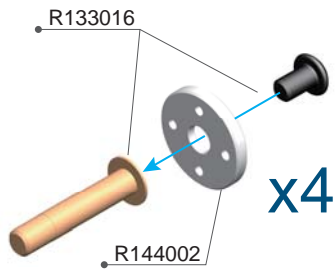


A10MF-26 BAG 04 PARTS LIST

R10114A	Ball Joint 4.9mm Open 6pcs (LF)	R121100	C Cap V2 (16pcs)
R102015	3x5.5x2mm Alu Shims(8pcs)	R122026	R12 Upper Deck Screw-Titanium (3)
R102017	3X5.5X3mm Alu Shims(4pcs)	R132011	Turnbuckle 3x23mm Alu-7075 (2)
R102100	Alu 4.9mm Ball End Short(4pcs)	R132066	A10 Steering Block-Alu
R102813	Turnbuckle 3x28mm ALU-7075 (2pcs)	R132075	Hex Hub V2 (2)
R103005	CVD Insert(2pcs)	R132076	CVD Wheel Axle V2 (2)
R103050	3x5x0.3mm Shims (10)	R132077	D.J CVD Joint V2-Alu (2)
R105104	3x6 Round Screw (10)	R133011	5x7x1.7 Steel Ring (2)
R105105	3x8 Round Screw (10)	R133015	Ball Head 4.9mm +0.5 (4)
R105106	3x10 Round Screw (10)	R133101	D.J CVD Wheel Shaft V2
R105108	3x14 Round Screw (10)	R133102	D.J CVD Shaft V2 (2)
R105203	3x6mm Flat Screw (10)	R136001	1.5x10 Pin (10)
R105403	3x8mm Set Screw (10)	R142034	Aluminum Tower 27mm (2)
R106001	3x6x2.5mm Ball Bearing (2)	R142035	Steering Plate-Alu
R106012	Low Friction Ball Bearing 5x10x4 (4pcs)	R143010	Titanium 4.85x5mm Ball End (2)
R106102	2x10mm Pin (10pcs)	R148031	A10MF-26 Upper Deck
R107001	CVD G-Clip(8pcs)	R812120	3x7x1mm Alu Shims (8)
R115011	2x6mm Cap Screw (10)	R812121	3x7x2mm Alu Shims (8)
R121096	Upper A-Arm V3 (2)	R814001	2x1.5 O'ring (6)

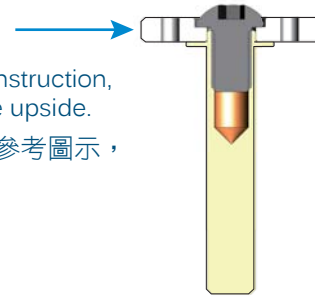
1:1 SCALE

	R105104 3x6 Round Screw (10)		R102015 3x5.5x2mm Alu Shims (8)
	R105105 3x8 Round Screw (10)		R102017 3x5.5x3mm Alu Shims (4)
	R105106 3x10 Round Screw (10)		R103050 3x5x0.3mm Shims (10)
	R105108 3x14 Round Screw (10)		R133011 5x7x1.7mm Shims (2)
	R105203 3x6mm Flat Screw (10)		R812120 3x7x1mm Alu Shims (8)
	R105403 3x8mm Set Screw (10)		R812121 3x7x2mm Alu Shims (8)
	R106102 Ø2x10 Pin (10)		R106001 3x6x2.5mm Ball Bearing (2)
	R136001 Ø1.5x10 Pin (10)		R106012 Low Friction Ball Bearing 5x10x4
	R115011 2x6mm Cap Screw (10)		

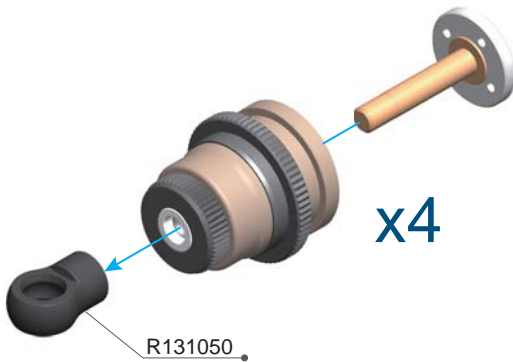
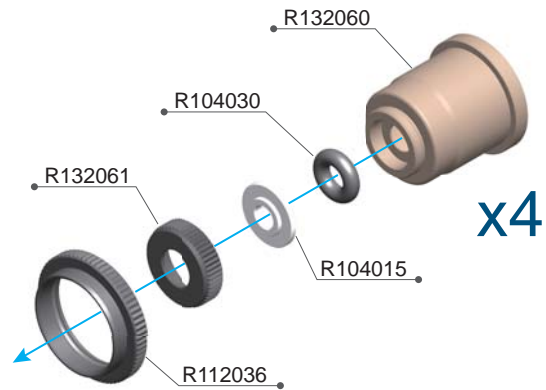
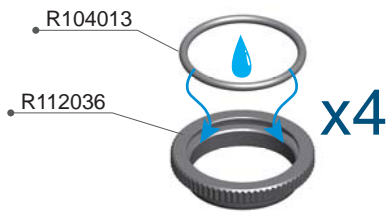


NOTICE

The shock piston as instruction, the sink area is on the upside.
避震器活塞的方向請參考圖示，內凹的平面向上。



Apply shock oil before assembly
請塗抹少許的避震油於O型環上

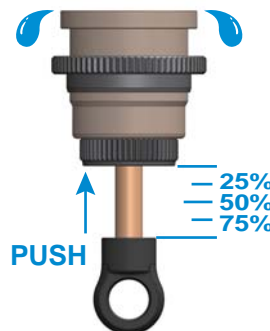
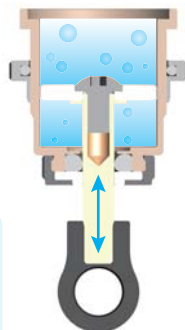


Silicone Oil #350

Fill the shock oil to the top of the shock body
將矽油填滿整個桶身。



Move the shaft up and down to let the air escape from the oil
上下移動活塞來將空氣排出。

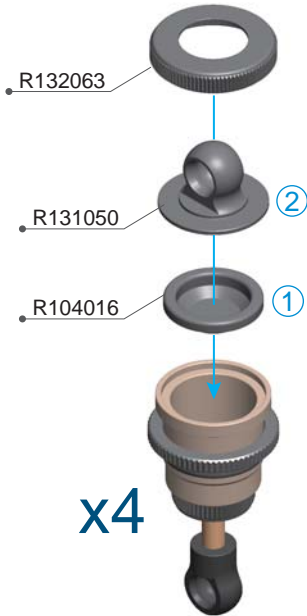


To adjust the rebound amount of the shock, push the shock shaft in to the required level to remove excess oil during assembly.

將活塞回推到設定的回彈位置後，再將氣室放入並將多餘的油排除。

- R104013 O'ring 13x1 (2pcs)
- R104015 Shock Shaft Shim Big Bore (4pcs)
- R104030 O'ring 3x2 (Soft)(4pcs)
- R112036 Shock Adj Nut-Ultra Short (2)
- R131050 X-Low Shock Ball End Set

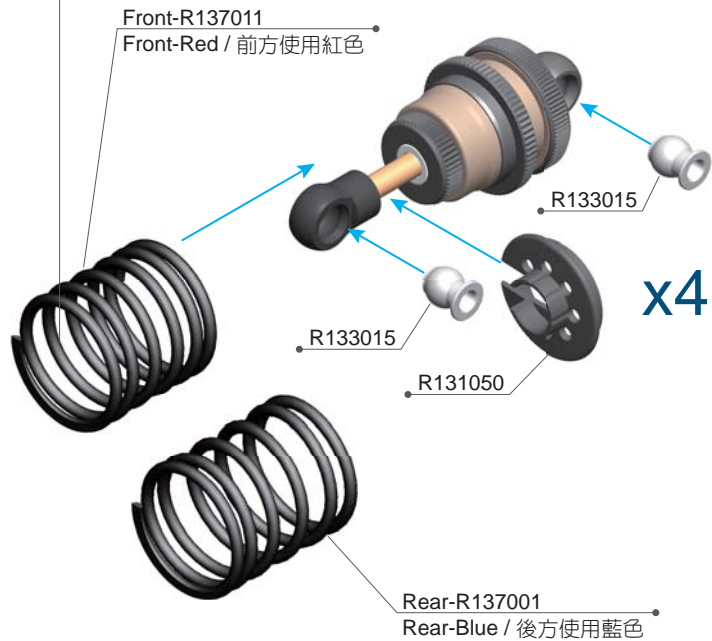
- R132060 X-Low Shock Body (2)
- R132061 X-Low Shock Low Cap (2)
- R133016 X-Low Shock Shaft (2)
- R144002 X-Low Shock Piston 1.1mmx4 OD 11.0mm (4)



NOTICE

The kit spring using X-Low spring 17mm
 Front spring R137011 X-Low Spring C2.5-C2.8 17mm (Red) (2)
 Rear Spring R137001 X-Low Spring C2.5 17mm (Blue) (2)

套件內所附的彈簧為X-Low 避震器專用的長度17mm 彈簧
 前彈簧為R137011 C2.5-C2.8 紅色
 後彈簧為R137001 C2.5 藍色



NOTICE

Drill the hole before assemble the ball head
 請於安裝球頭前預先鑽孔



Drill the shock cap here to help provide zero rebound and softer dampening (optional setting).
 上球頭有預留鑽孔的記號，可選擇是否打通，在鑽孔打通後可減少氣室回彈的力道。

NOTICE

Set the shock initial length as below / 請將避震器的起始長度如圖示設置

Front / 前

9.3mm

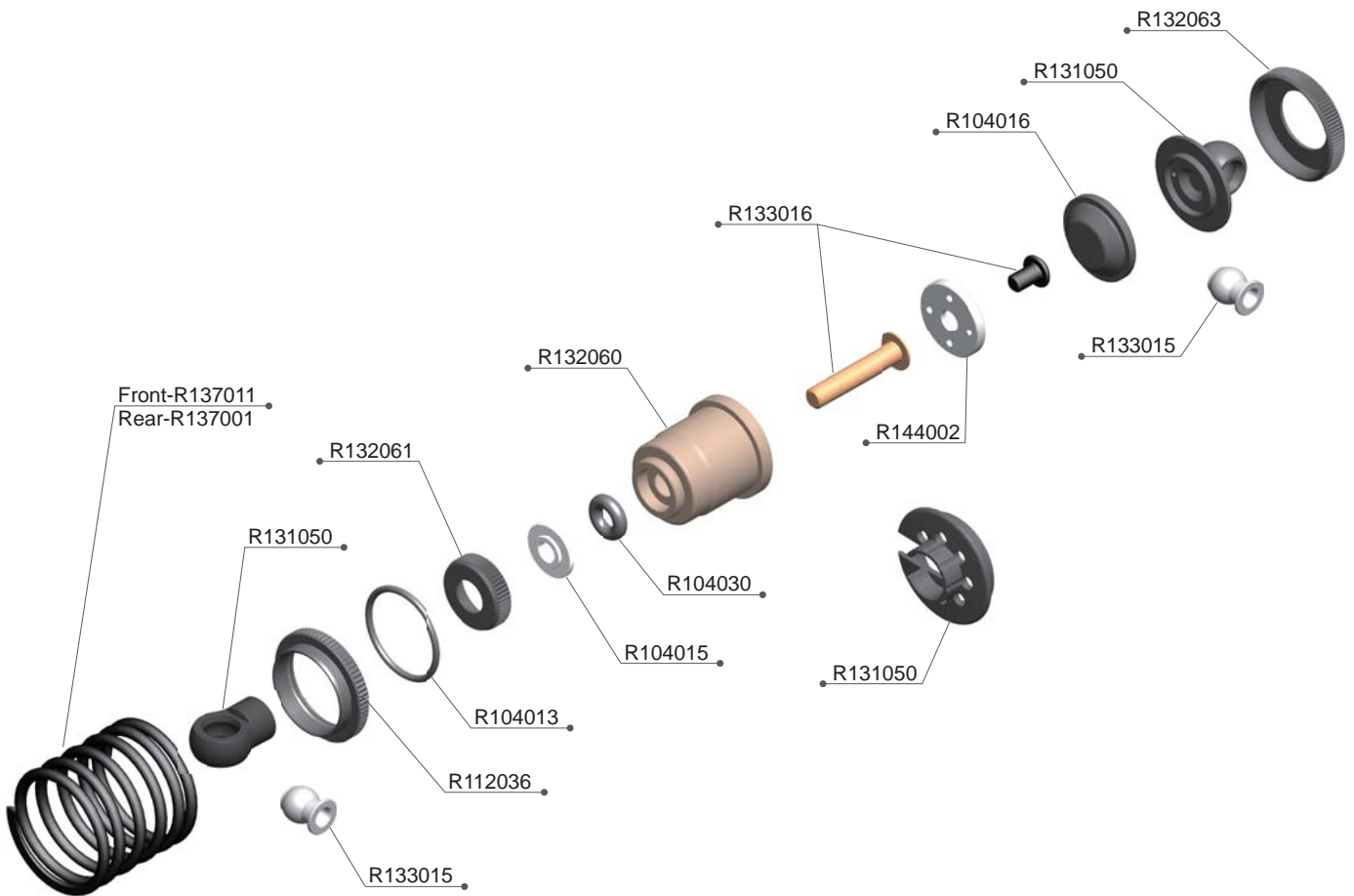
Rear / 後

9.3mm

- R104016 Shock Membrane Big Bore (4pcs)
- R131050 X-Low Shock Ball End Set
- R132063 X-Low Shock Cap (2)

- R133015 Ball Head 4.9mm +0.5 (4)
- R137001 X-Low Spring C2.5 17mm (Blue) (2)
- R137011 X-Low Spring C2.5-C2.8 17mm (Red) (2)

A10MF-26 BAG 05 PARTS EXPLODED VIEW



A10MF-24 BAG 05 PARTS LIST

R104013	O'ring 13x1 (2pcs)	R132063	X-Low Shock Cap (2)
R104015	Shock Shaft Shim Big Bore (4pcs)	R133015	Ball Head 4.9mm +0.5 (4)
R104016	Shock Membrane Big Bore (4pcs)	R133016	X-Low Shock Shaft (2)
R104030	O'ring 3x2 (Soft)(4pcs)	R137001	X-Low Spring C2.5 17mm (Blue) (2)
R112036	Shock Adj Nut-Ultra Short (2)	R137011	X-Low Spring C2.5-C2.8 17mm (Red) (2)
R131050	X-Low Shock Ball End Set	R139010	X-Low Shock Set
R132060	X-Low Shock Body (2)	R144002	X-Low Shock Piston 1.1mmx4 OD 11.0mm (4)
R132061	X-Low Shock Low Cap (2)		



R105204
3x8mm Flat Screw (10)

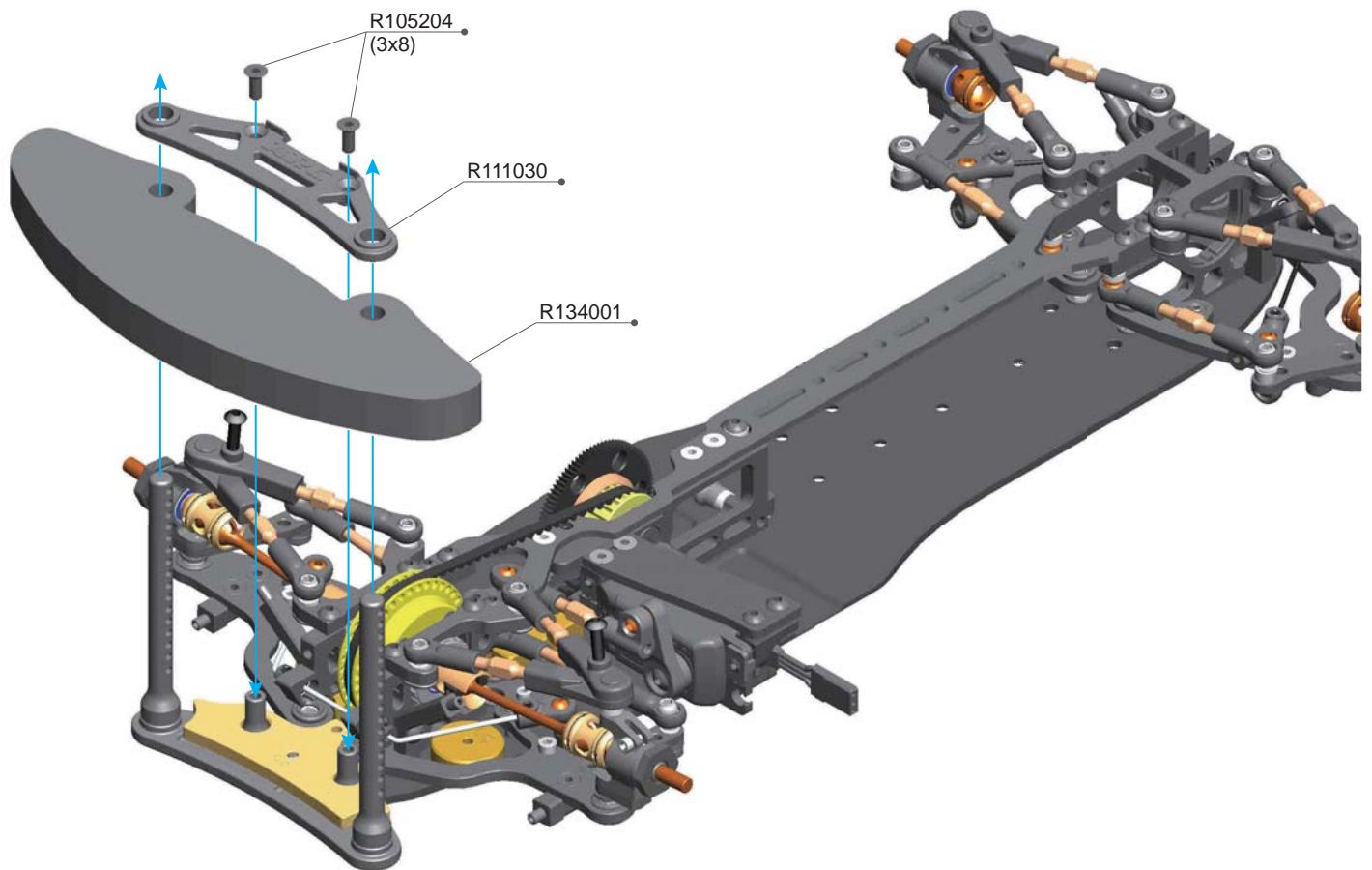
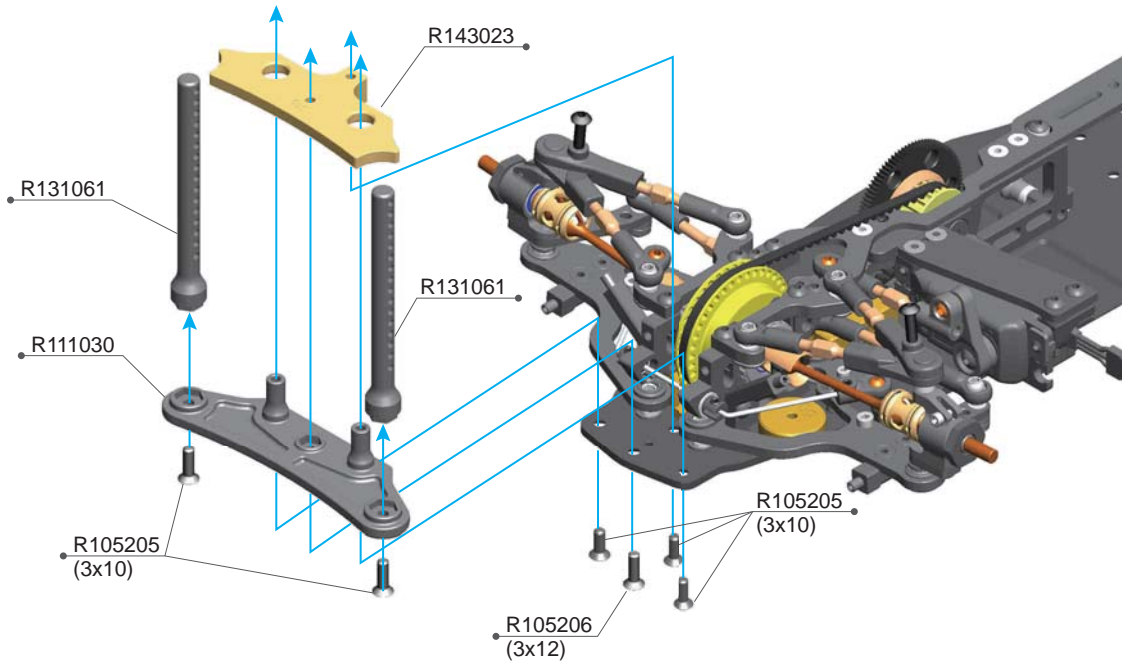


R105205
3x10mm Flat Screw (10)



R105206
3x12mm Flat Screw (10)

1:1 Scale



- R105204 3x8mm Flat Screw (10)
- R105205 3x10mm Flat Screw (10)
- R105206 3x12mm Flat Screw (10)
- R111030 R11 2019 Bumper Set

- R131061 Body Tower Set-Hard
- R134001 A10MF Bumper
- R143023 A10MF Front Weight 45g

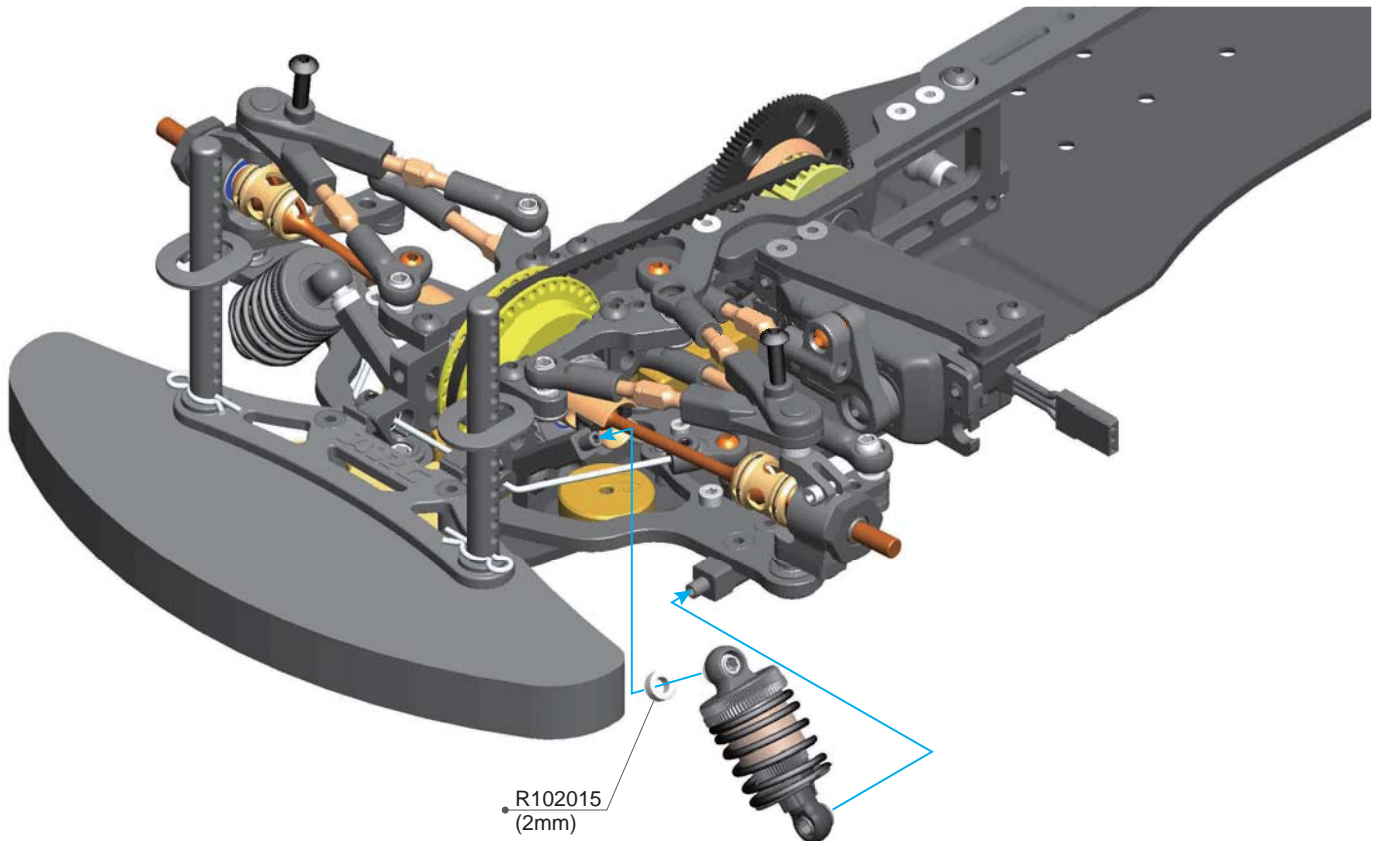
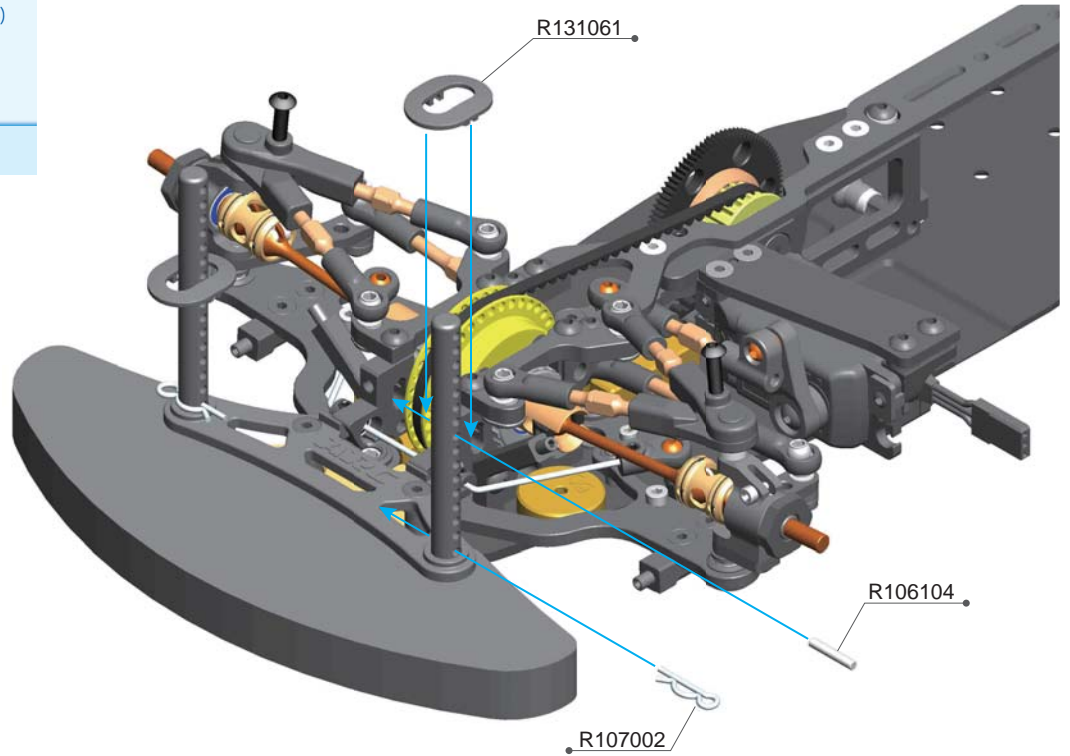


R102015
3x5.5x2mm Alu Shims (8)



R106104
2x11.8mm Pin (10)

1:1 Scale

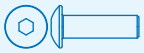


R102015 3x5.5x2mm Alu Shims(8pcs)
R106104 2x11.8mm Pin (10pcs)

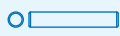
R107002 R-Clip(8pcs)
R131061 Body Tower Set-Hard



R102015
3x5.5x2mm Alu Shims (8)

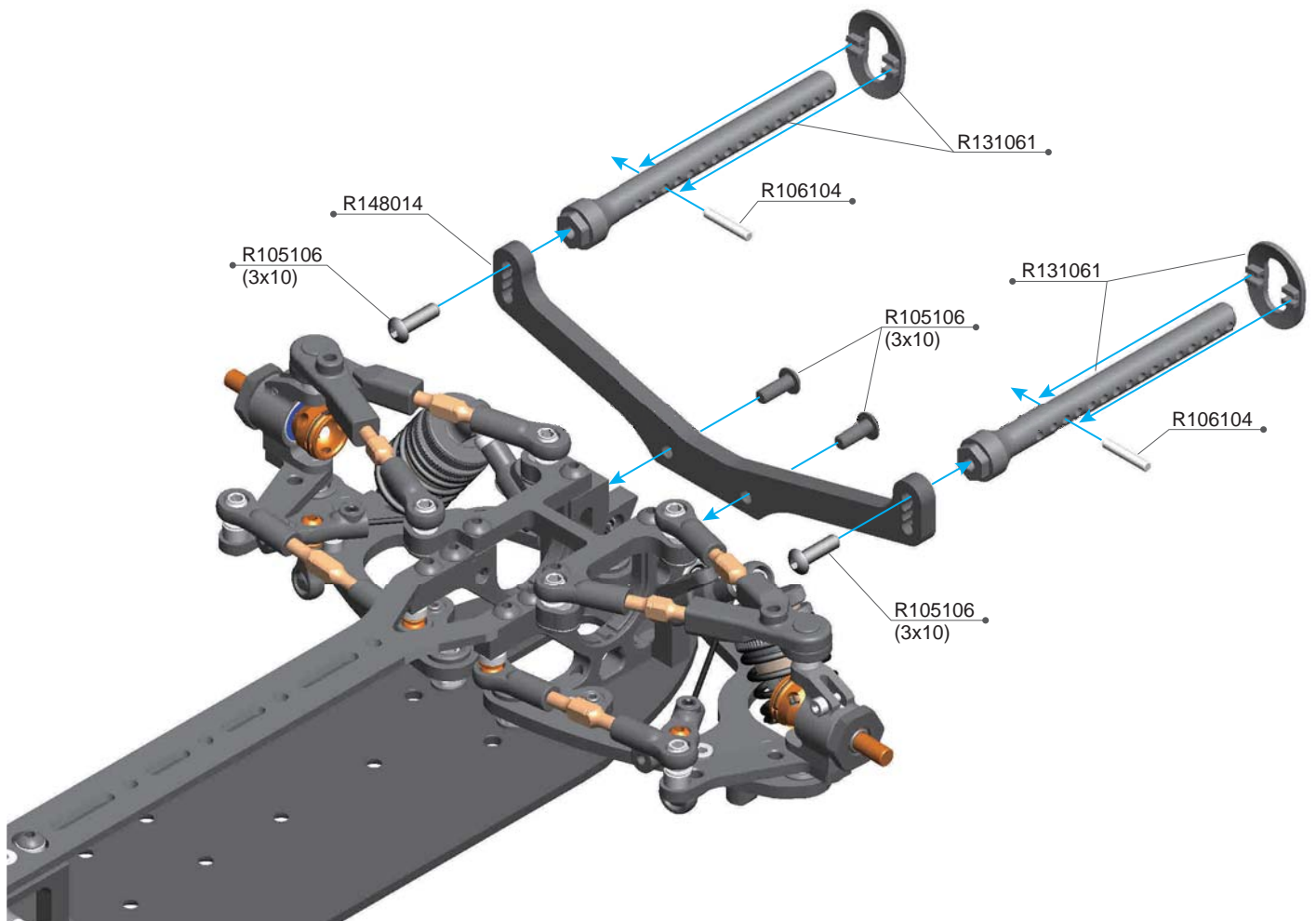
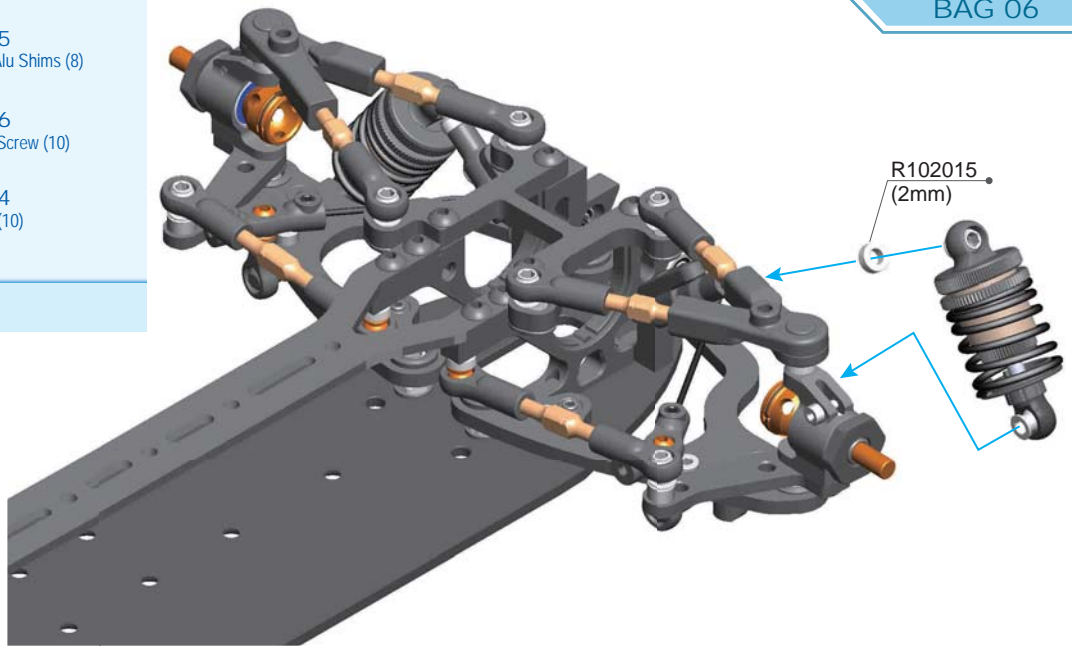


R105106
3x10 Round Screw (10)



R106104
Ø2x11.8 Pin (10)

1:1 Scale



R102015 3x5.5x2mm Alu Shims(8pcs)
R105106 3x10 Round Screw (10)
R106104 2x11.8mm Pin (10pcs)

R131061 Body Tower Set-Hard
R148014 A10-25 Rear Body Tower



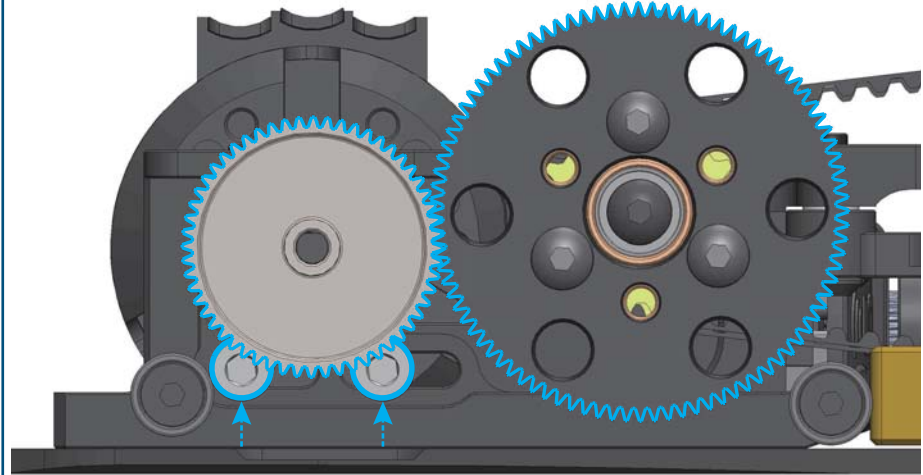
R105300
3x6mm Cap Screw (10)



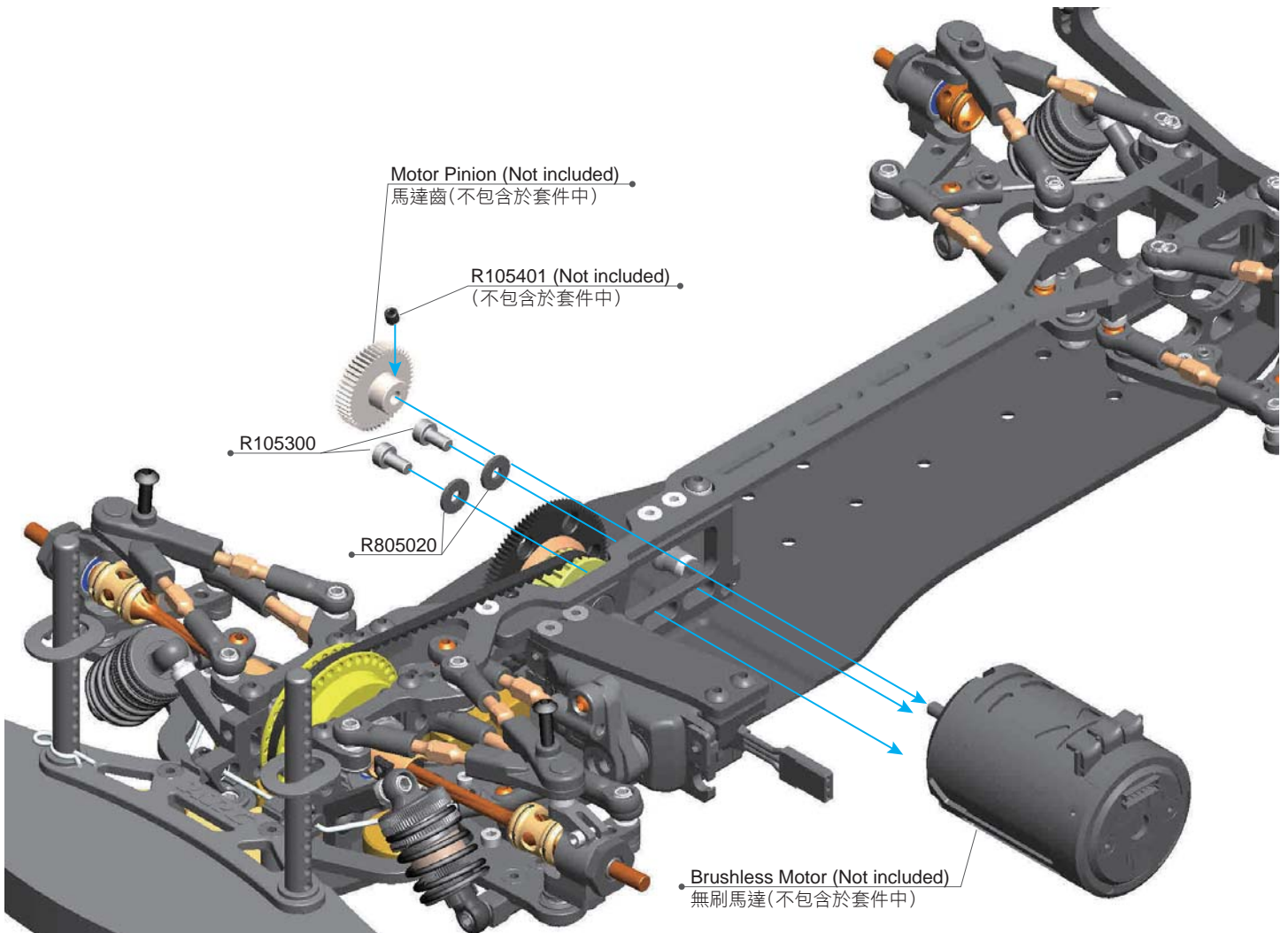
R805020
3x8x1mm Steel Shim (6)

1:1 Scale

NOTICE



Adjust gear mesh from here / 請由此處來調整齒隙



R105300 3x6mm Cap Screw (10)

R805020 3x8x1mm Steel Shim (6)

SHORTY LIPO BATTERY HOLDER / 短電池電池架



R102015
3x5.5x2mm Alu Shims (8)



R102017
3x5.5x3mm Alu Shims (4pcs)



R105105
3x8 Round Screw (10)

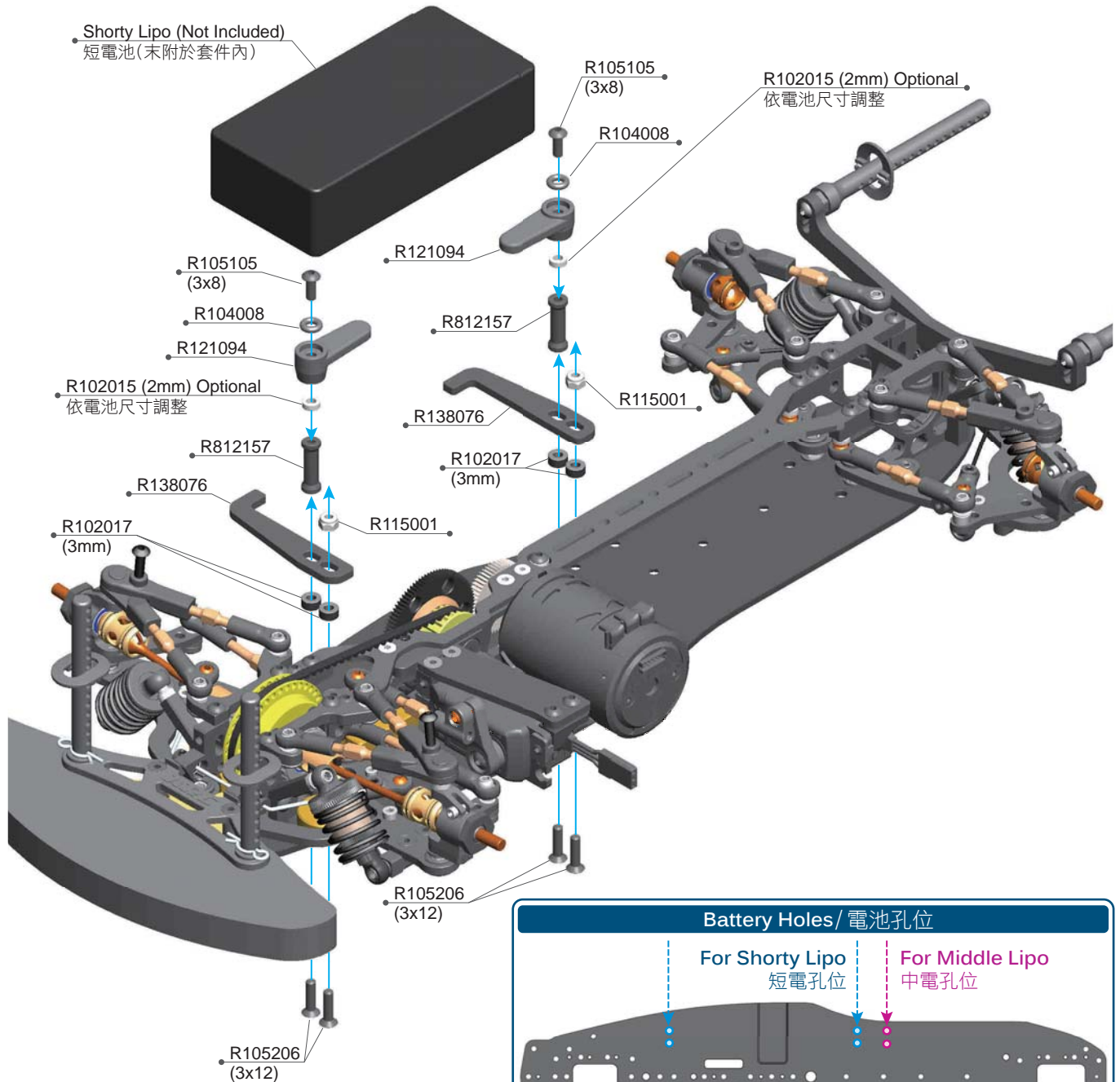


R105206
3x12mm Flat Screw (10)



R115001
3mm Nylon Nut-Black Alu (4)

1:1 Scale



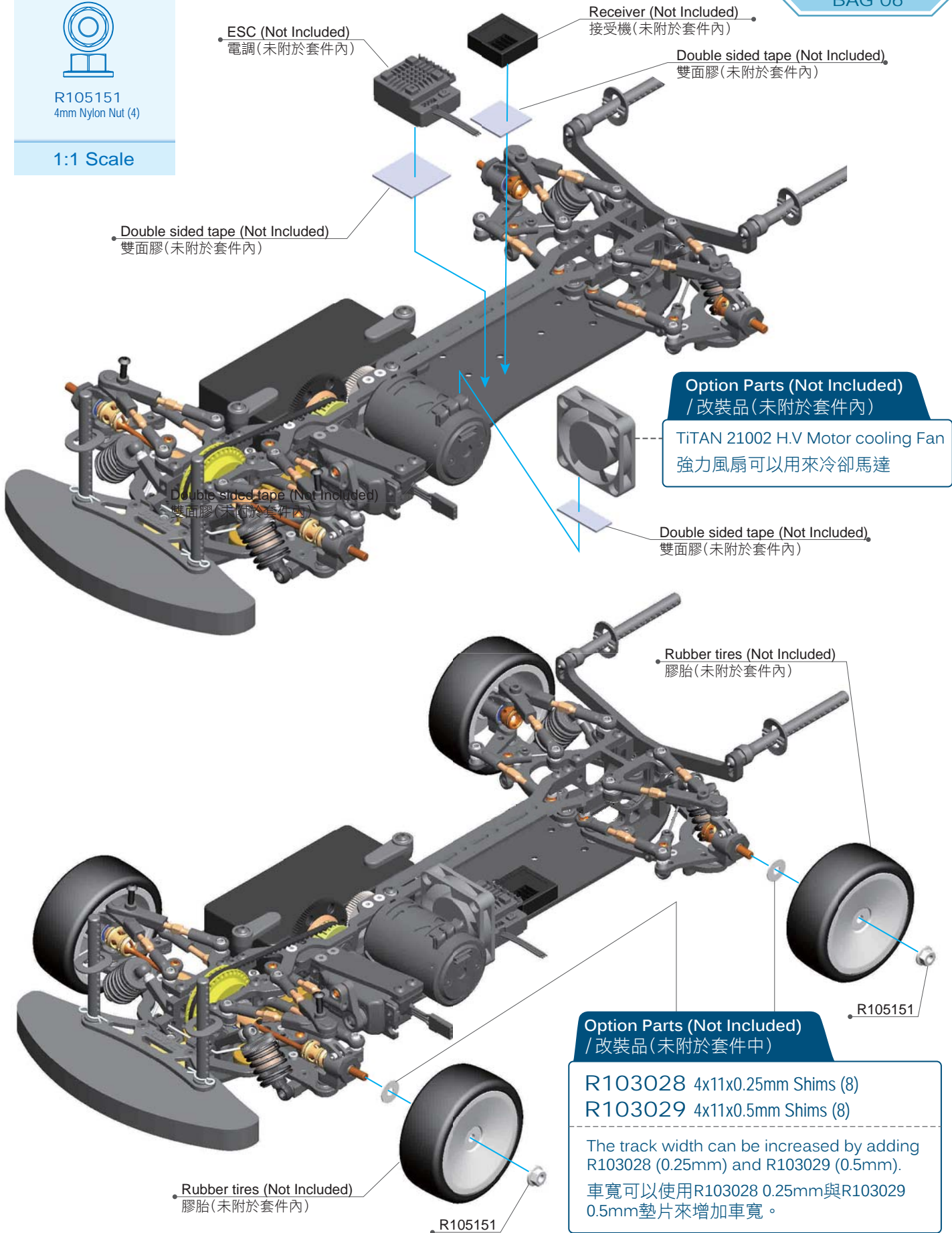
R102017 3X5.5X3mm Alu Shims(4pcs)
R104008 O'ring 3x2(Hard)(4pcs)
R105105 3x8 Round Screw (10)
R105206 3x12mm Flat Screw (10)

R115001 3mm Nylon Nut-Black Alu (4)
R121094 Battery Holder (2)
R138076 A10MF-24 Battery Holder
R812157 Aluminum Tower (2)



R105151
4mm Nylon Nut (4)

1:1 Scale



ESC (Not Included)
電調 (未附於套件內)

Receiver (Not Included)
接受機 (未附於套件內)

Double sided tape (Not Included)
雙面膠 (未附於套件內)

Double sided tape (Not Included)
雙面膠 (未附於套件內)

Option Parts (Not Included)
/ 改裝品 (未附於套件內)

TITAN 21002 H.V Motor cooling Fan
強力風扇可以用來冷卻馬達

Double sided tape (Not Included)
雙面膠 (未附於套件內)

Double sided tape (Not Included)
雙面膠 (未附於套件內)

Rubber tires (Not Included)
膠胎 (未附於套件內)

Option Parts (Not Included)
/ 改裝品 (未附於套件中)

R103028 4x11x0.25mm Shims (8)
R103029 4x11x0.5mm Shims (8)

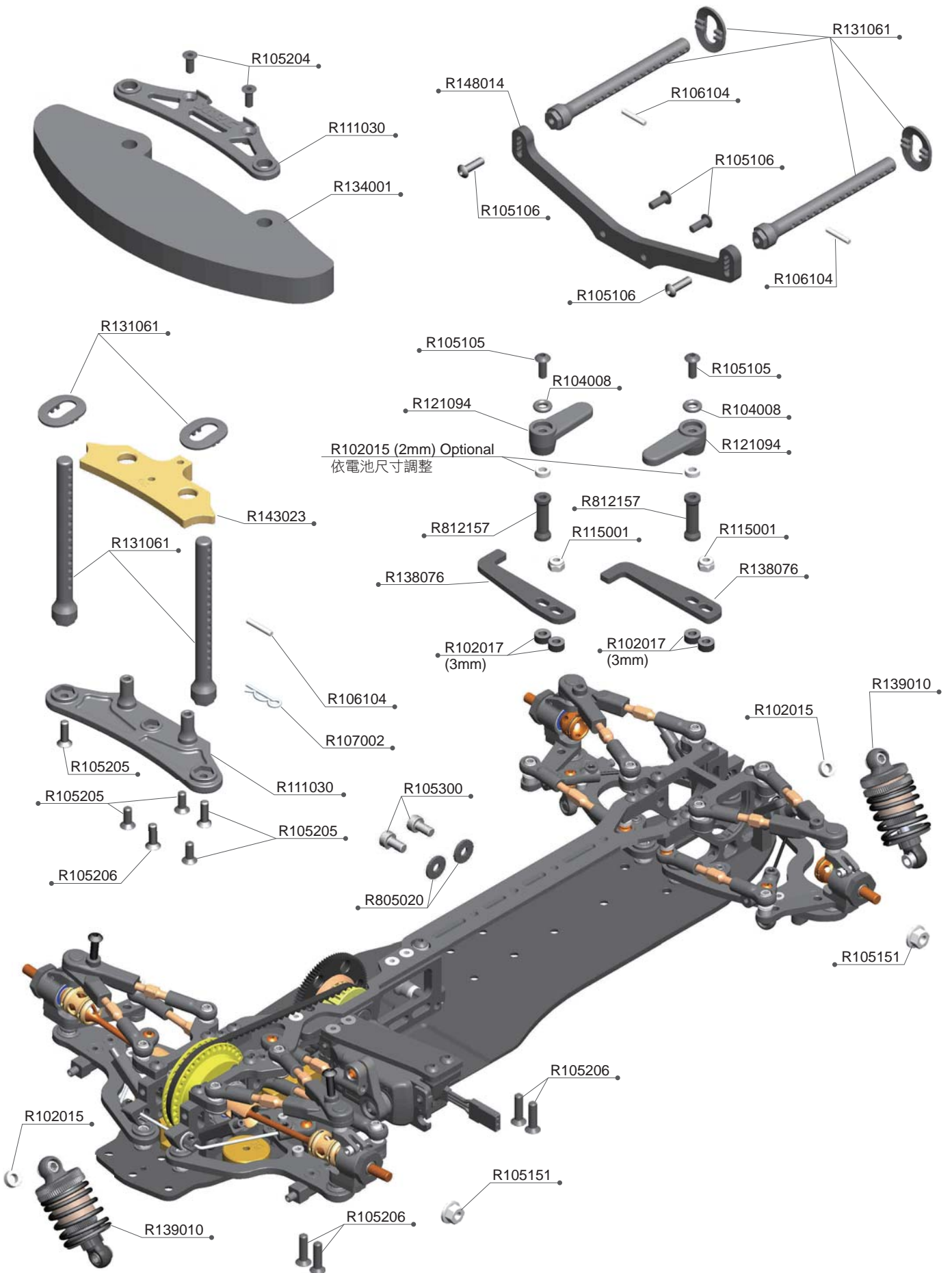
The track width can be increased by adding R103028 (0.25mm) and R103029 (0.5mm).
車寬可以使用R103028 0.25mm與R103029 0.5mm墊片來增加車寬。

Rubber tires (Not Included)
膠胎 (未附於套件內)

R105151

R105151

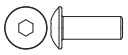

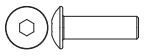


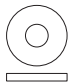
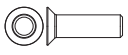

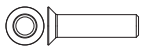


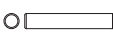
A10MF-26 BAG 06 PARTS EXPLODED VIEW



A10MF-26 BAG 06 PARTS LIST

R102015	3x5.5x2mm Alu Shims(8pcs)	R107002	R-Clip(8pcs)
R102017	3X5.5X3mm Alu Shims(4pcs)	R111030	R11 2019 Bumper Set
R104008	O'ring 3x2(Hard)(4pcs)	R115001	3mm Nylon Nut-Black Alu (4)
R105105	3x8 Round Screw (10)	R121094	Battery Holder (2)
R105106	3x10 Round Screw (10)	R131061	Body Tower Set-Hard
R105151	4mm Nylon Nut (4)	R134001	A10MF Bumper
R105204	3x8mm Flat Screw (10)	R138076	A10MF-24 Battery Holder
R105205	3x10mm Flat Screw (10)	R143023	A10MF Front Weight 45g
R105206	3x12mm Flat Screw (10)	R148014	A10-25 Rear Body Tower
R105300	3x6mm Cap Screw (10)	R805020	3x8x1mm Steel Shim (6)
R106104	2x11.8mm Pin (10pcs)	R812157	Aluminum Tower

1:1 SCALE

	R105105 3x8 Round Screw (10)		R102015 3x5.5x2mm Alu Shims (8)
	R105106 3x10 Round Screw (10)		R102017 3X5.5X3mm Alu Shims(4pcs)
	R105204 3x8mm Flat Screw (10)		R805020 3x8x1mm Steel Shim (6)
	R105205 3x10mm Flat Screw (10)		R105151 4mm Nylon Nut (4)
	R105206 3x12mm Flat Screw (10)		R115001 3mm Nylon Nut-Black Alu (4)
	R105300 3x6mm Cap Screw (10)		
	R106104 Ø2x11.8 Pin (10)		