

DRIVER

DATE

TRACK

EVENT

CITY

TEMPERATURE		AIR	TRACK	
QUALIFYING	BEST LAP TIME	FINAL	RACE LENGTH	
	SEC		MIN	

TRACK CONDITION

CARPET ASPHALT INDOOR OUTDOOR

BUMPY SMOOTH

TECHNICAL MIXED FAST

TRACTION LOW MEDIUM HIGH

TRANSMISSION

GEAR DIFF OIL CST NUMBER OF GEARS 2 4

MOTOR ESC

PINION T SPUR GEAR T FDR

SHOCK SET

PDS FRONT PDS REAR

FRONT	OIL	REAR
<input type="text"/>	<input type="text"/>	<input type="text"/>
<input type="text"/>	SPRING	<input type="text"/>
<input type="text"/>	PISTON	<input type="text"/>
<input type="text"/> %	REBOUND	<input type="text"/> %

ANTI-ROLL BAR

FRONT mm REAR mm

TIRES

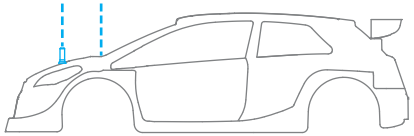
ADDITIVE

ADDITIVE TIMING

FL	FR	RL	RR
<input type="text"/>	<input type="text"/>	<input type="text"/>	<input type="text"/>

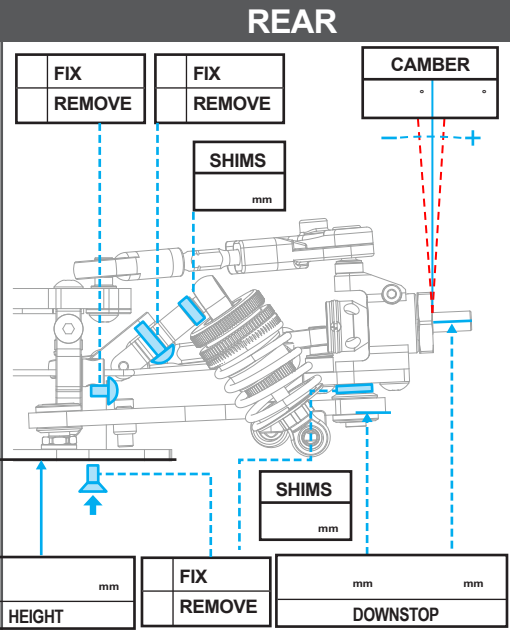
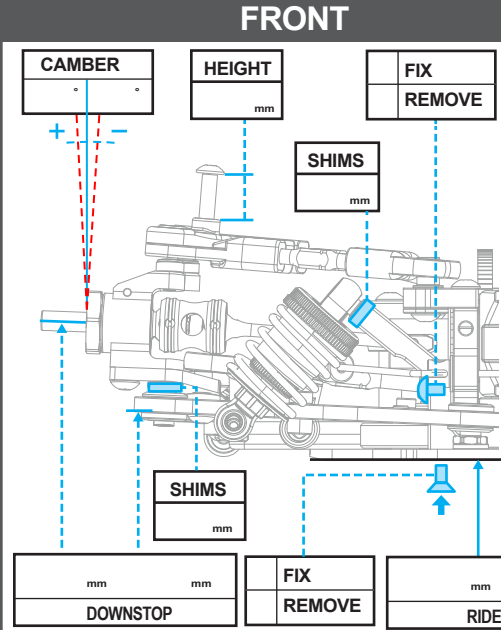
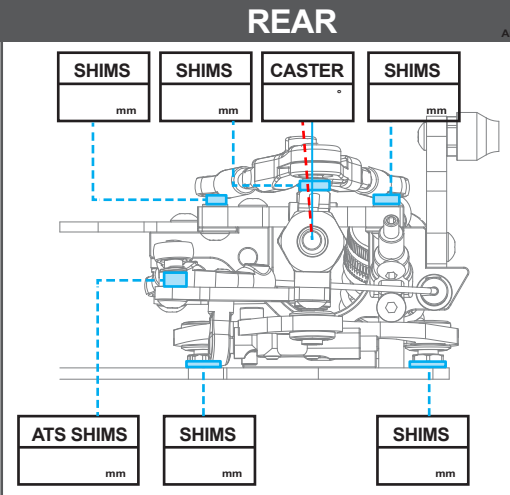
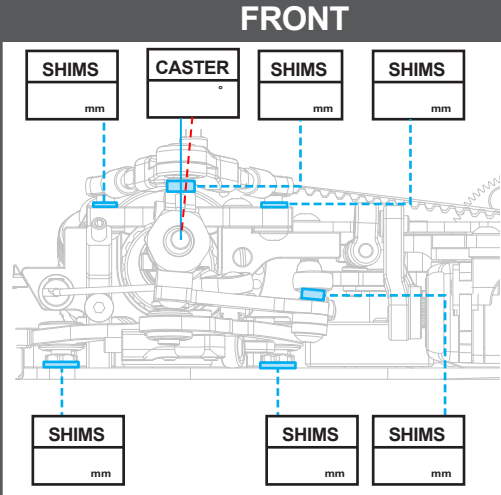
TREATED AREA

DISTANCE TO WINDOW EDGE mm



BODY WING

NOTE



CHASSIS SETUP

