

RACE

TRACK NAME

CITY / COUNTRY

DATE

TEMPERATURE	AIR	TRACK
QUALIFYING POSITION	BEST LAP TIME	FINAL POSITION
	SEC	MIN
TRACK CONDITION	<input type="checkbox"/> CARPET	<input checked="" type="checkbox"/> ASPHALT
<input type="checkbox"/> TECHNICAL	<input checked="" type="checkbox"/> MIXED	<input type="checkbox"/> FAST
TRACTION	<input type="checkbox"/> LOW	<input checked="" type="checkbox"/> MEDIUM
		<input type="checkbox"/> HIGH

TRANSMISSION

GEAR DIFF OIL 1,000,000 CST

NUMBER OF GEARS 2 4

PINION T SPUR GEAR T

FINAL DRIVE RATIO

SHOCK SET

PDS FRONT PDS REAR

FRONT	OIL	REAR
350 CST		350 CST
C2.5-C2.8	SPRING	C2.5
4 1.1 mm	HOLES / DIAMETER	4 1.1 mm
0 %	REBOUND	0 %

ANTI-ROLL BAR

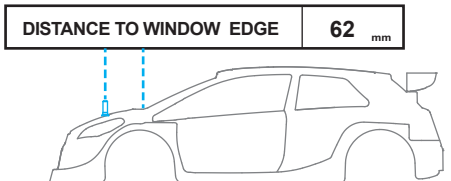
FRONT 1.3 mm REAR 1.2 mm

TIRES

ADDITIVE TIMING

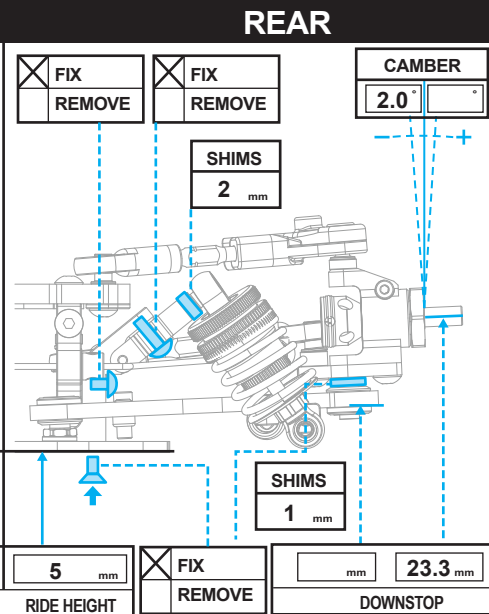
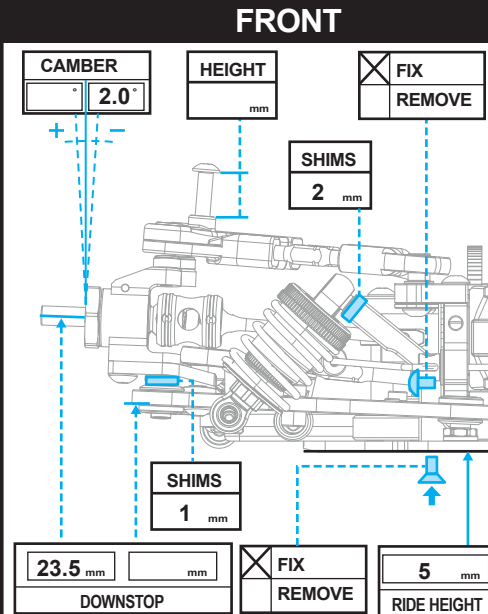
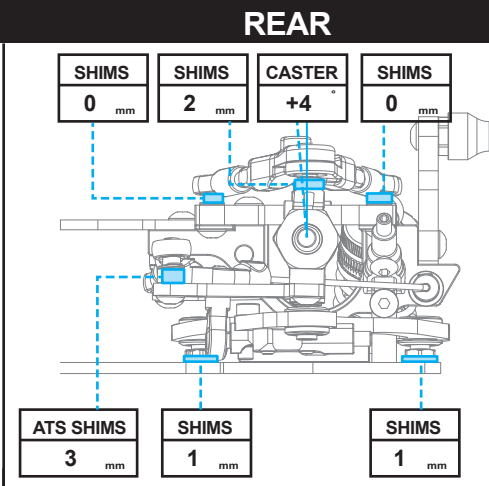
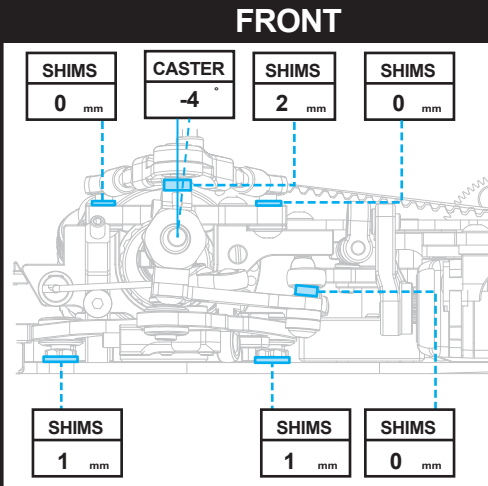
ADDITIVE

FL FR RL RR TREATED AREA



BODY BLITZ YRS 0.5mm WING STANDARD

NOTE



CHASSIS SETUP

