

DRIVER

DATE

TRACK

EVENT

CITY

TEMPERATURE AIR		TRACK	
QUALIFYING	BEST LAP TIME	FINAL	RACE LENGTH
	SEC		MIN

TRACK CONDITION

CARPET  ASPHALT  INDOOR  OUTDOOR

BUMPY  SMOOTH

TECHNICAL  MIXED  FAST

TRACTION  LOW  MEDIUM  HIGH

TRANSMISSION

GEAR DIFF OIL  CST

NUMBER OF GEARS  2  4

MOTOR  ESC

PINION  T  SPUR GEAR  T  FDR

SHOCK SET

PDS FRONT  PDS REAR

FRONT	OIL	REAR
<input type="text"/>	<input type="text"/>	<input type="text"/>
<input type="text"/>	SPRING	<input type="text"/>
<input type="text"/>	PISTON	<input type="text"/>
<input type="text"/> %	REBOUND	<input type="text"/> %

ANTI-ROLL BAR

FRONT  mm REAR  mm

TIRES

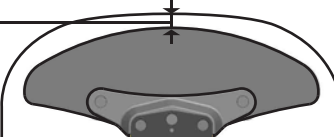
ADDITIVE

ADDITIVE TIMING

FL  FR  RL  RR

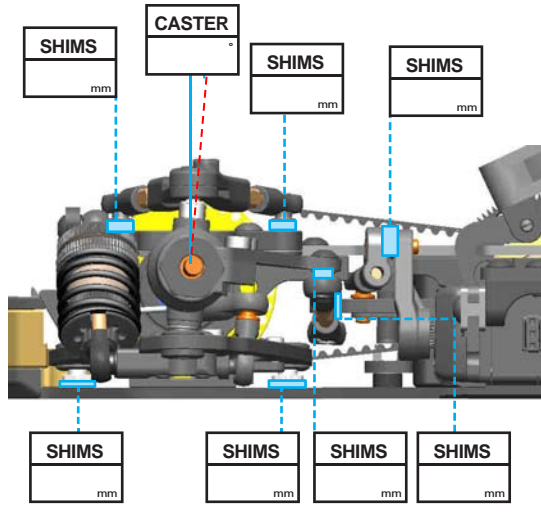
TREATED AREA

BODY MOUNT DISTANCE  mm

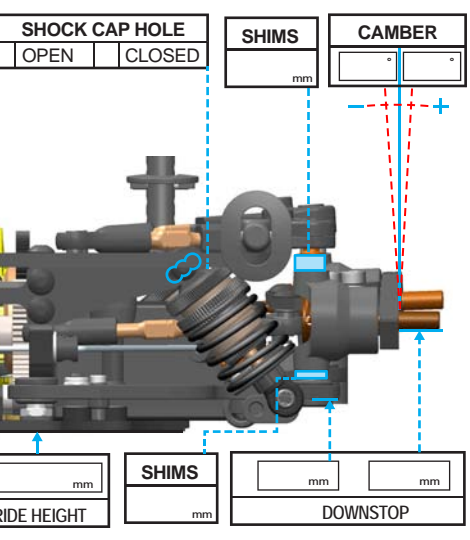
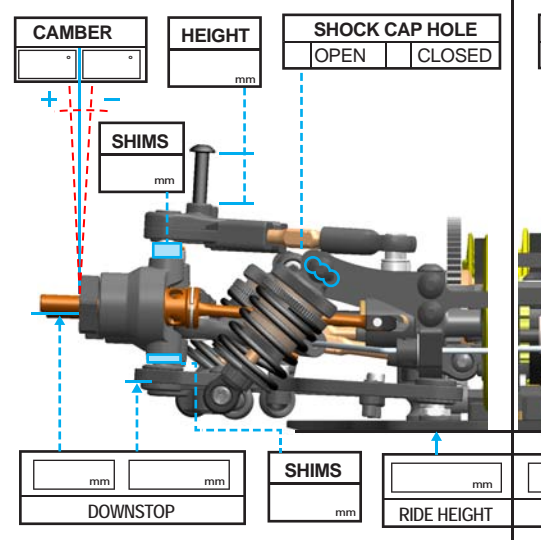
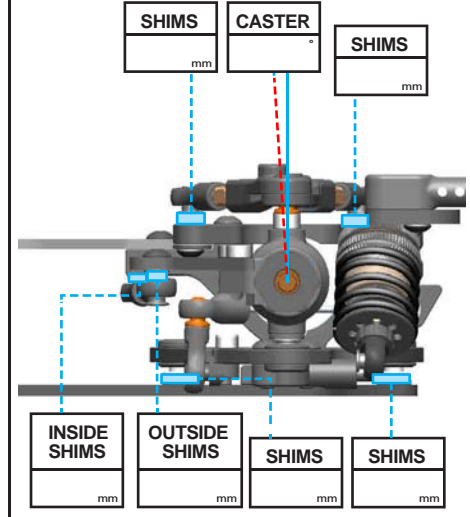


BODY  WING

## FRONT



## REAR



## CHASSIS SETUP

