

DRIVER

DATE

TRACK

EVENT

CITY

TEMPERATURE		AIR	TRACK	
QUALIFYING	BEST LAP TIME	FINAL	RACE LENGTH	
	SEC		MIN	

TRACK CONDITION

CARPET ASPHALT INDOOR OUTDOOR

BUMPY SMOOTH

TECHNICAL MIXED FAST

TRACTION LOW MEDIUM HIGH

TRANSMISSION

BELT

FRONT STD SOFT

REAR STD SOFT

GEAR DIFF OIL CST

NUMBER OF GEARS 2 4

MOTOR

ESC

PINION T SPUR GEAR T FDR

SHOCK SET

PDS FRONT PDS REAR

FRONT REAR

<input type="text"/>	OIL	<input type="text"/>
<input type="text"/>	SPRING	<input type="text"/>
<input type="text"/>	PISTON	<input type="text"/>
<input type="text"/> %	REBOUND	<input type="text"/> %

ANTI-ROLL BAR

FRONT mm REAR mm

TIRES

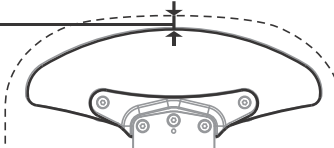
ADDITIVE

ADDITIVE TIMING

FL FR RL RR

TREATED AREA

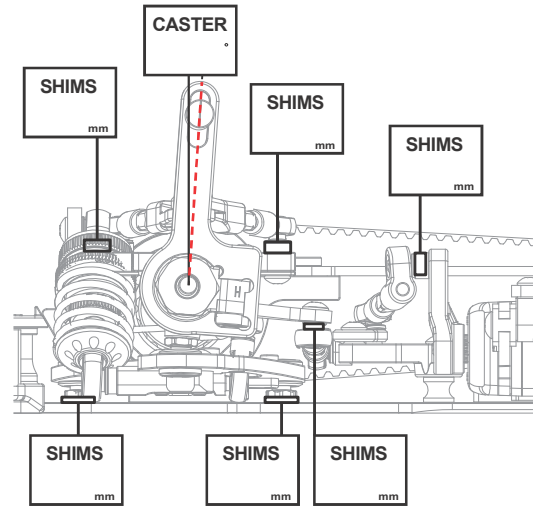
BODY MOUNT DISTANCE mm



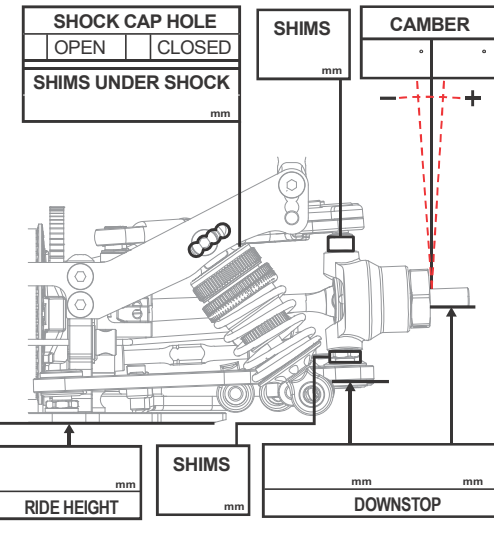
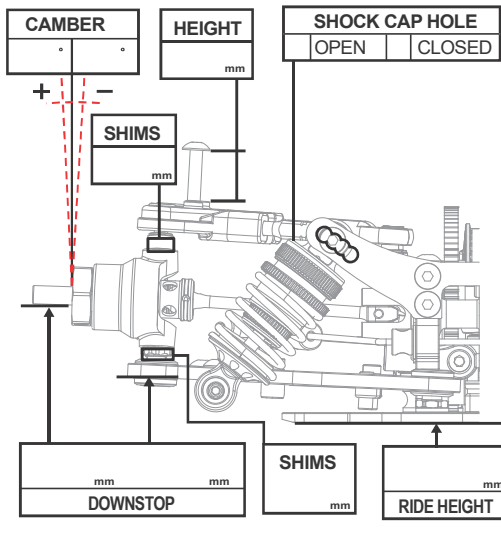
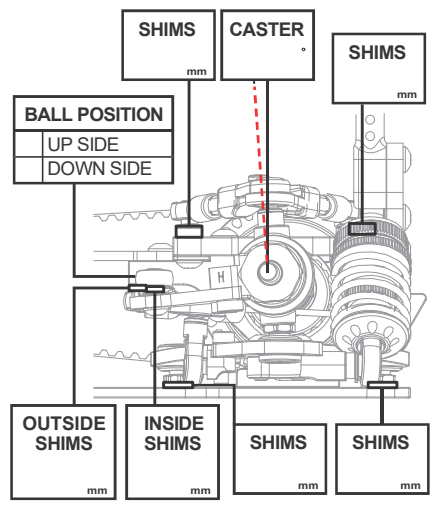
BODY WING

Notes

FRONT



REAR



CHASSIS SETUP

