

NOTICE

TH =Apply Thread Lock Adhesive
=使用螺絲防鬆膠

CA =Apply CA Glue
=使用瞬間接著劑

GE =Apply Grease
=使用潤滑油

BAG 01

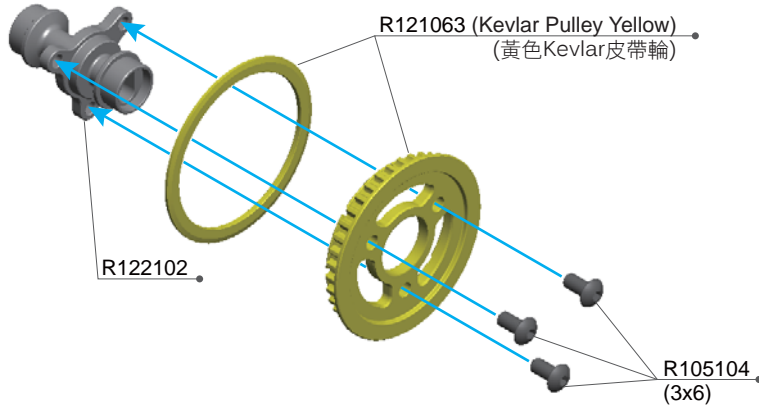
R105104
3x6 Round Screw (10)



R106021
Low Friction Ball Bearing
10x15x4 (4)

R105204
3x8mm Flat Screw (10)

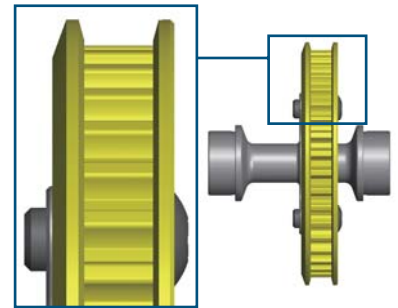
1:1 Scale



PULLEY COVER DIRECTION

請注意方向

Please make sure the pulley cover is oriented with the bevel side out.
請依圖示方向組裝皮帶輪側蓋。



Option Parts (Not Included) / 改裝品 (未附於套件內)

R122103 Solid Axle Adaptor-Alu (2)

Lightweight adaptors reduce rotating mass for a more efficient drivetrain.

輕量化的鋁接杯可以減輕傳動的重量並增加傳動效率。

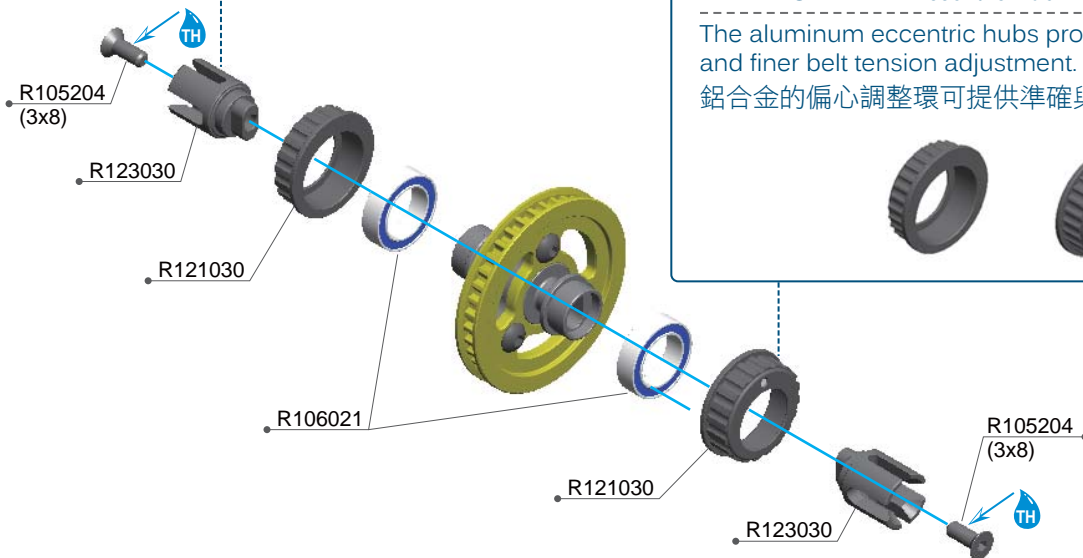


Option Parts (Not Included) / 改裝品 (未附於套件內)

R122017 R12 Eccentric Hub-Alu (4)

The aluminum eccentric hubs provide greater precision and finer belt tension adjustment.

鋁合金的偏心調整環可提供準確與更細緻的張力調整。

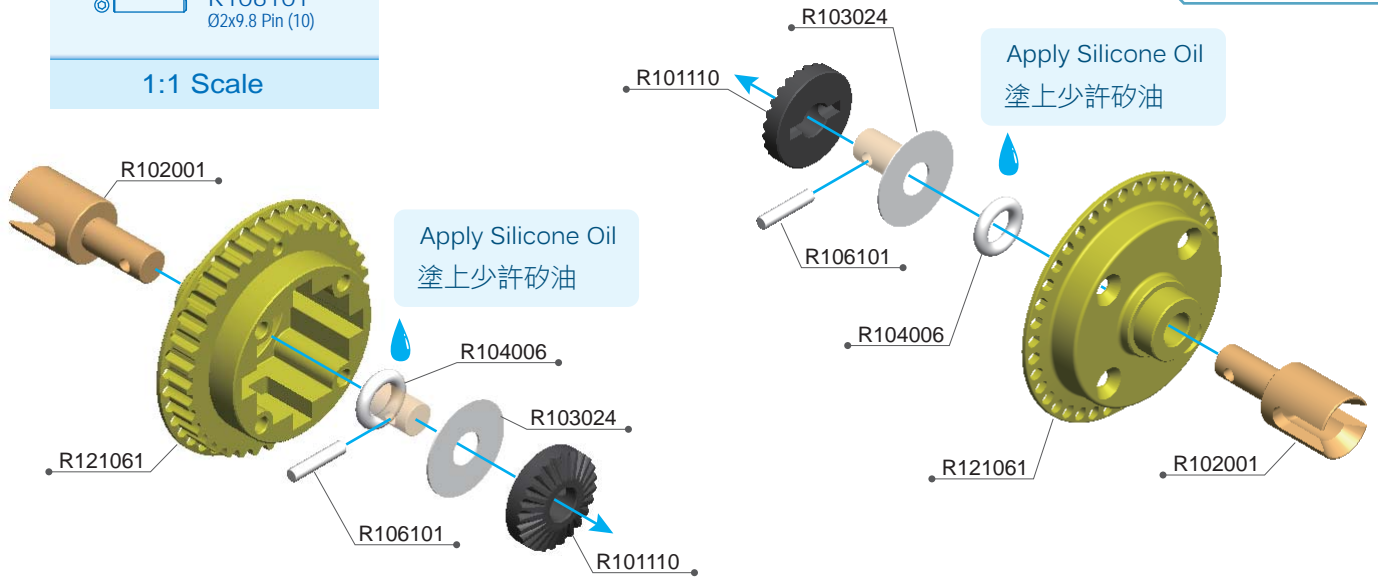


- R105104 3x6 Round Screw (10)
- R105204 3x8mm Flat Screw (10)
- R106021 Low Friction Ball Bearing 10x15x4 (4pcs)
- R121030 R12 Eccentric Hub (4)

- R121063 R12 Kevlar Front Pulley 38T
- R122102 R12.1 Solid Axle Shaft
- R123030 Solid Axle Adaptor-steel (2)

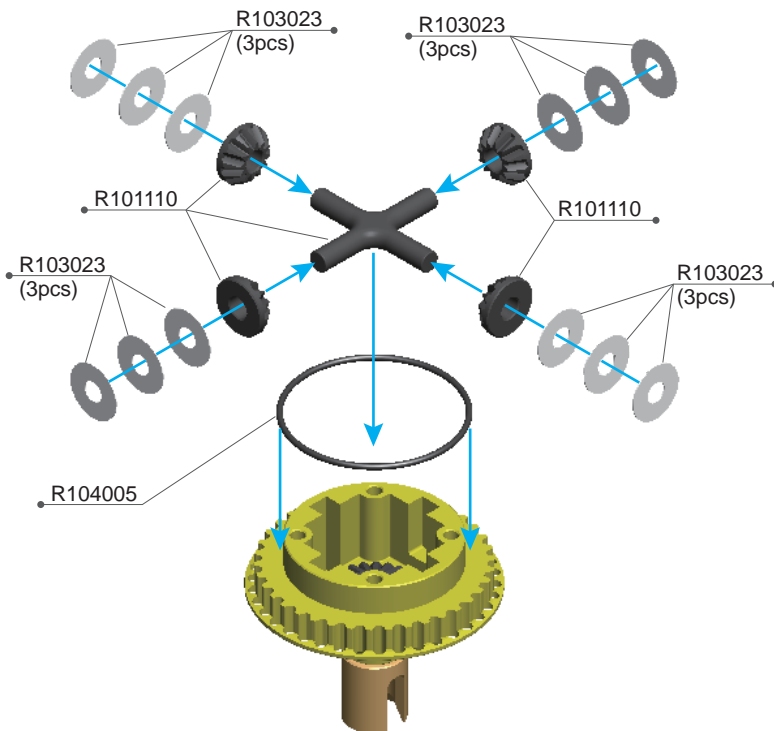
☉ R106101
Ø2x9.8 Pin (10)

1:1 Scale

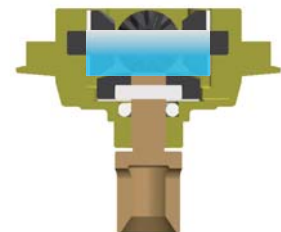


- R101110 Diff Gears (with Axle)
- R102001 Gear Diff Outdrive Alu(2pcs)
- R103024 Gear Diff Shim Big(4pcs)

- R104006 O'ring 5x2(4pcs)
- R106101 2x9.8mm Pin (10pcs)
- R121061 R12 Kevlar Diff Case



Silicone Oil #3000



NOTICE



Trim any excess flashing from the diff gear axle at the mold injection point.

請將十字軸邊緣多餘的合模線修順，可使差速的運做更順暢。

NOTICE

We recommend using 1.5g or 1.3g grams of silicone diff oil.

建議加入1.5公克重規格3000CST的差速油。

- R101110 Diff Gears (with Axle)
- R103023 Gear Diff Shim Small(8pcs)

- R104005 O'Ring 26x1 For Diff Case(2pcs)

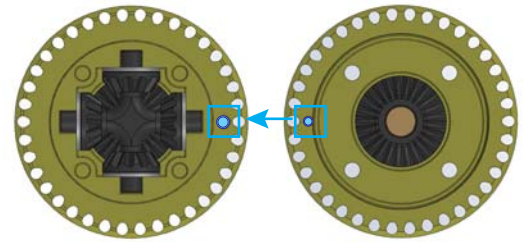
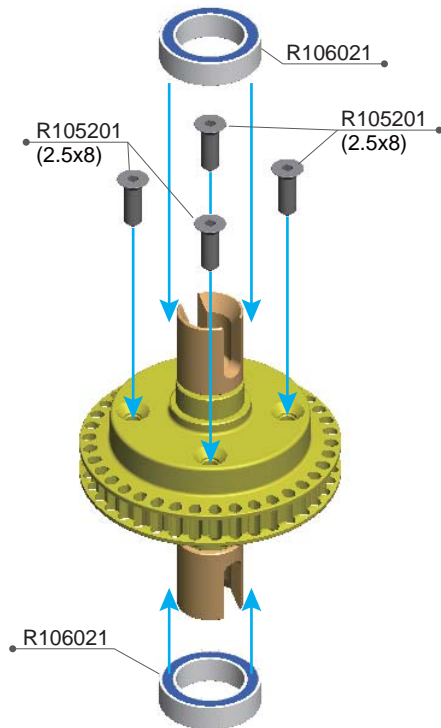


R105201
2.5x8mm Flat Screw (10)



R106021
Low Friction Ball Bearing
10x15x4 (4)

1:1 Scale



NOTICE

Diff case direction needs to match as per above.
差速外殼組裝時請依圖示對齊凹點。

R105201 2.5x8mm Flat Screw (10)

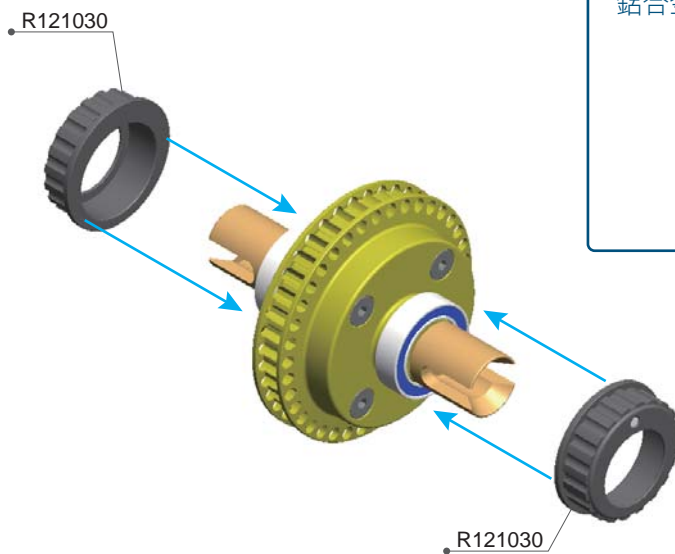
R106021 Low Friction Ball Bearing 10x15x4 (4pcs)

Option Parts (Not Included) / 改裝品 (未附於套件內)

R122017 R12 Eccentric Hub-Alu (4)

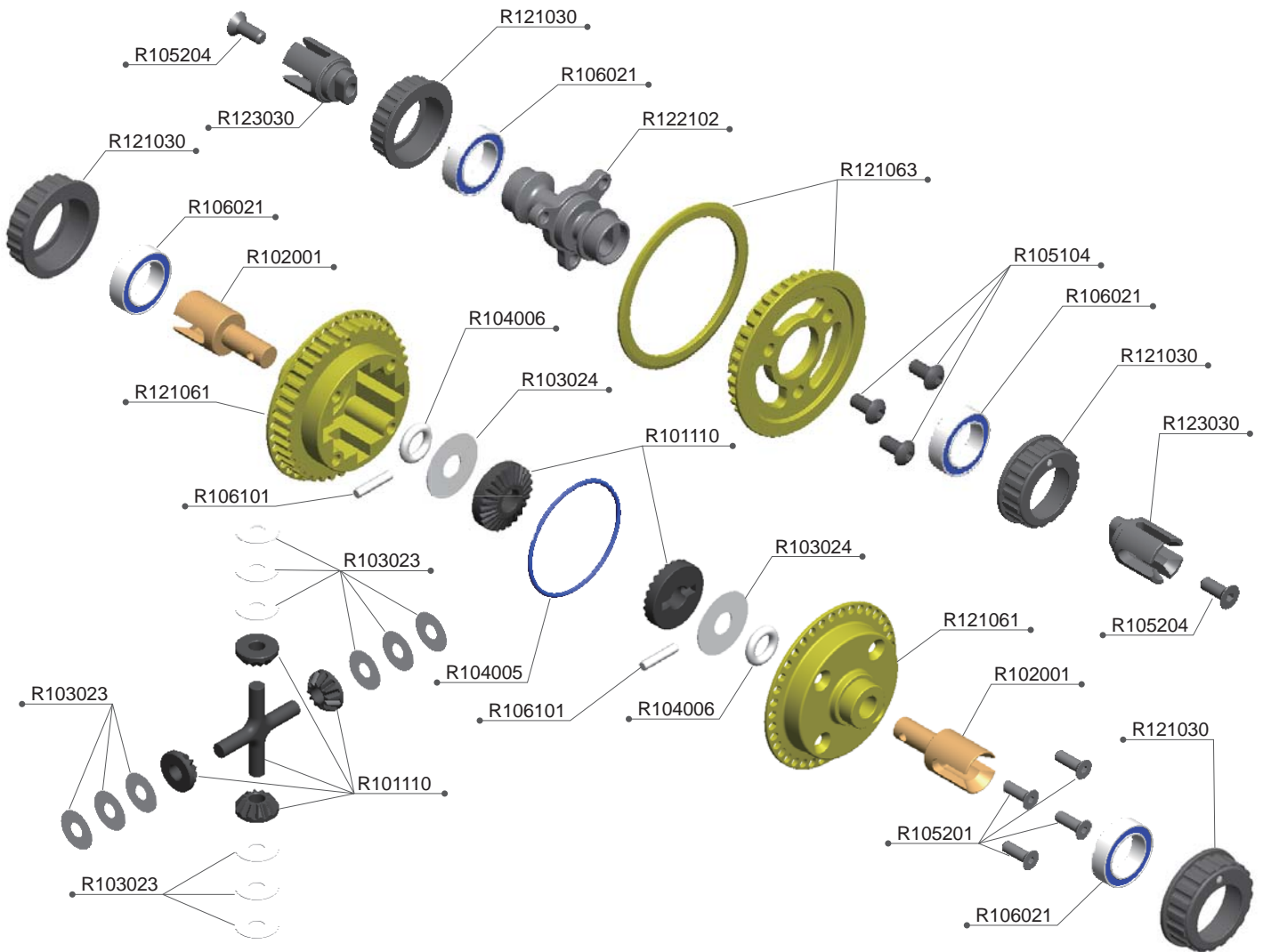
The aluminum eccentric hubs provide greater precision and finer belt tension adjustment.

鋁合金的偏心調整環可提供準確與更細緻的張力調整。



R121030 R12 Eccentric Hub (4)

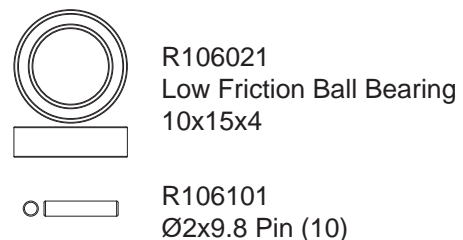
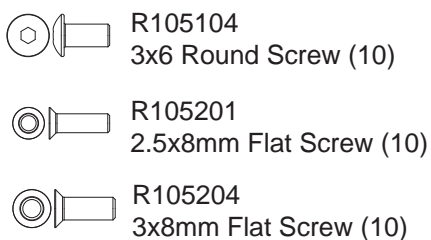
A10-25 BAG 01 PARTS EXPLODED VIEW



A10-25 BAG 01 PARTS LIST

R101110	Diff Gears (with Axle)	R105204	3x8mm Flat Screw (10)
R102001	Gear Diff Outdrive Alu(2pcs)	R106021	Low Friction Ball Bearing 10x15x4 (4pcs)
R103023	Gear Diff Shim Small(8pcs)	R106101	2x9.8mm Pin (10pcs)
R103024	Gear Diff Shim Big(4pcs)	R121030	R12 Eccentric Hub (4)
R104005	O'Ring 26x1 For Diff Case(2pcs)	R121061	R12 Kevlar Diff Case
R104006	O'ring 5x2(4pcs)	R121063	R12 Kevlar Front Pulley 38T
R105104	3x6 Round Screw (10)	R122102	R12.1 Solid Axle Shaft
R105201	2.5x8mm Flat Screw (10)	R123030	R12.1 Steel Outdrive (2)

1:1 SCALE

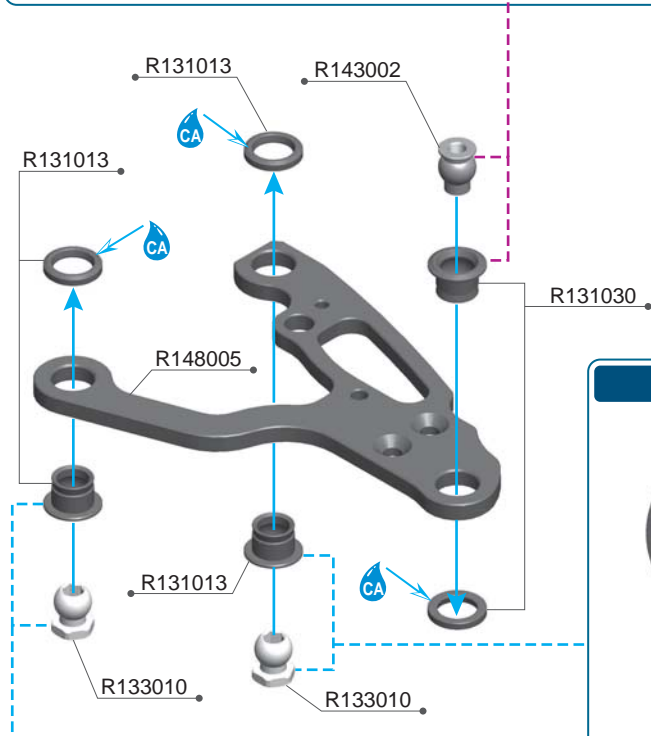
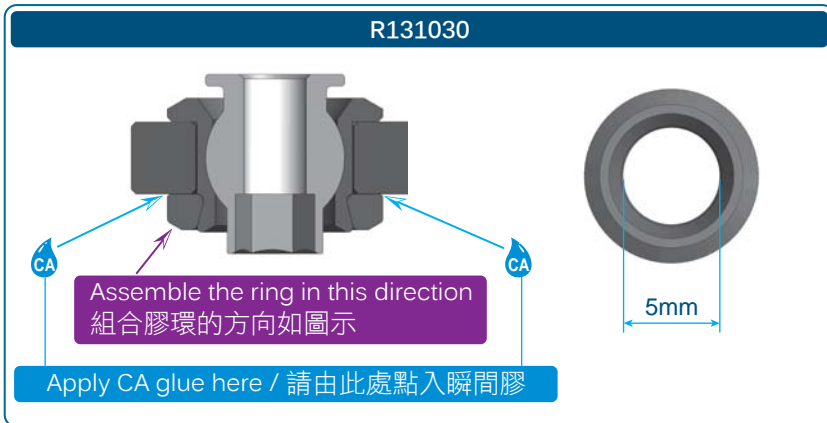


FRONT LOW ARM SET / 前下擺臂組

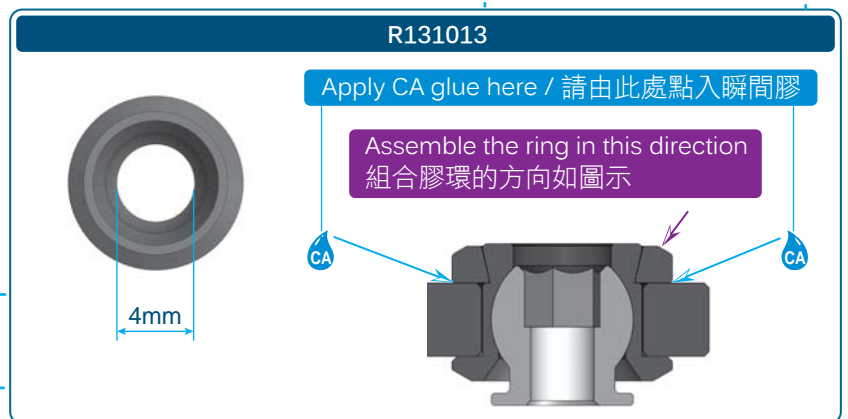
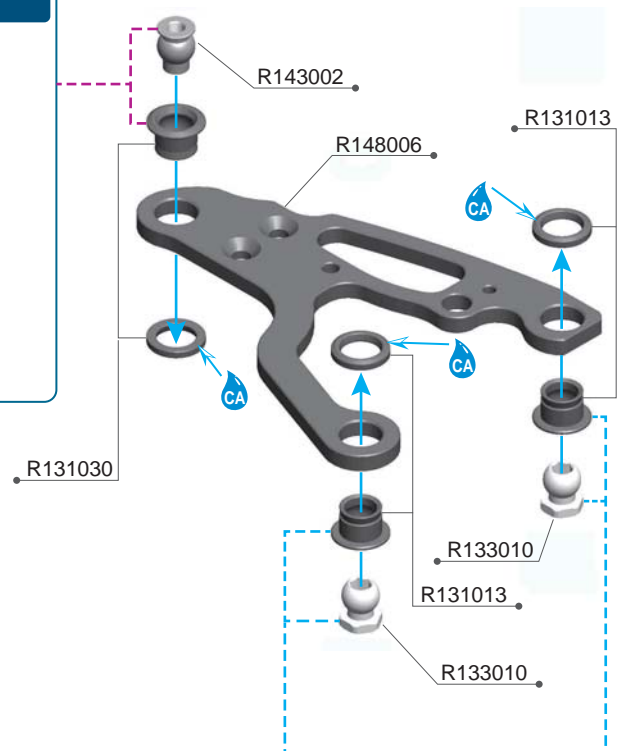
BAG 02

CA =Apply CA Glue / 使用瞬間接著劑

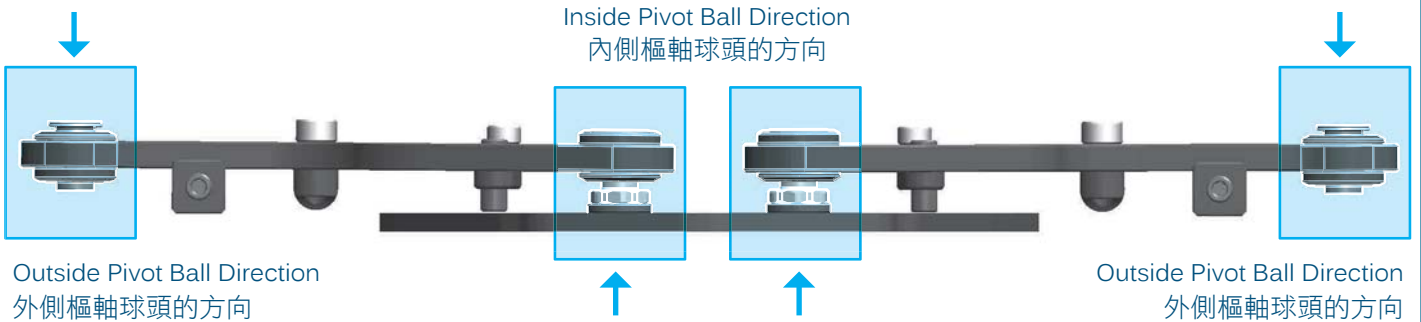
Right Side / 右邊



Left Side / 左邊



PIVOT BALL DIRECTION / 球頭方向



R131013 5.8mm Ball Socket Set (3 Sets)
R131030 5.8mm Ball Socket Set-5mm (3 Sets)
R133010 5.8mm Pivot Ball-Titanium (2)

R143002 5.8mm Pivot Ball Long-Titanium (2)
R148005 A10-25 Front Low Arm-Left
R148006 A10-25 Front Low Arm-Right

FRONT LOW ARM SET / 前下擺臂組

BAG 02



R105204
3x8mm Flat Screw (10)



R105403
3x8mm Set Screw (10)



R105404
3x10mm Set Screw (10)



R105101
2x5mm Cap Screw (10)



R805299
2.5x6mm Cap Screw (10)

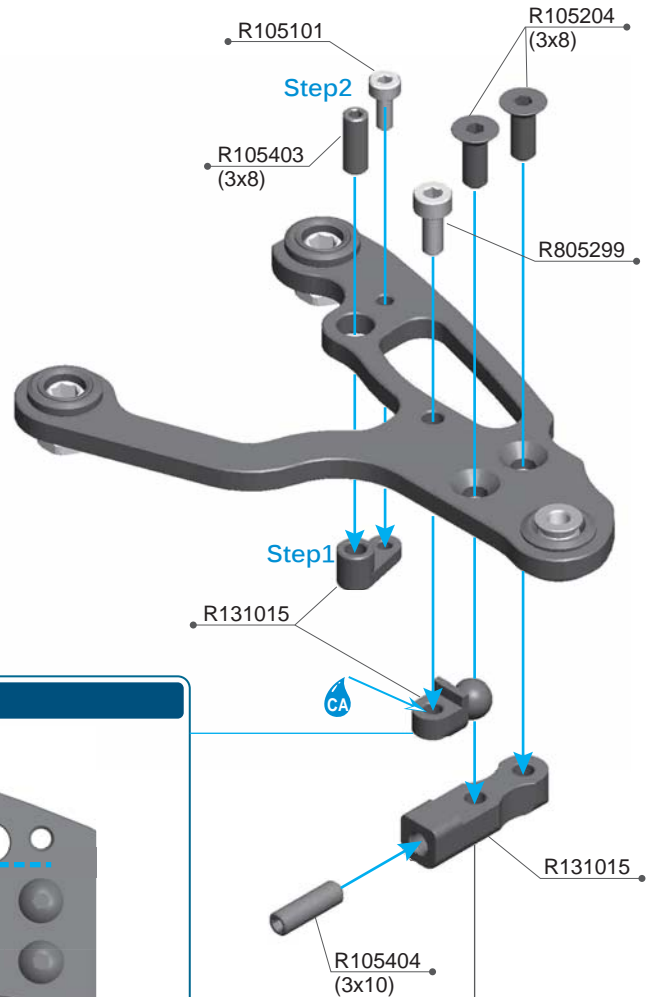
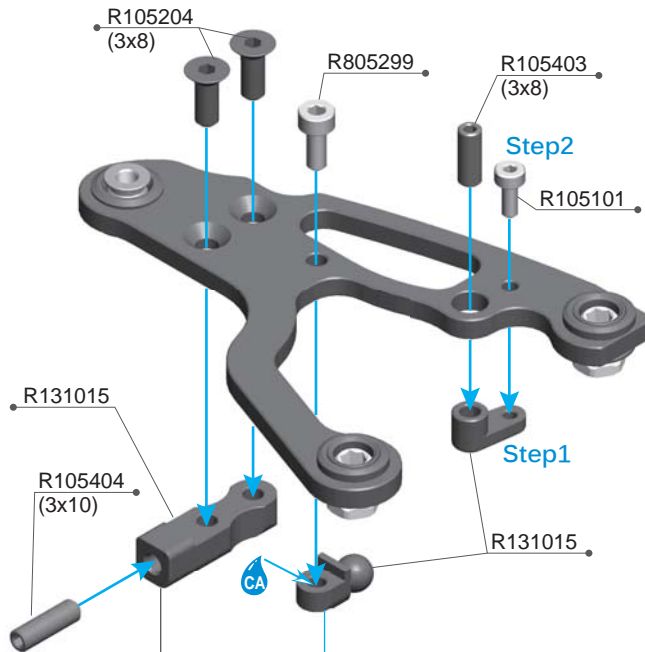


=Apply CA Glue
=使用瞬間接著劑

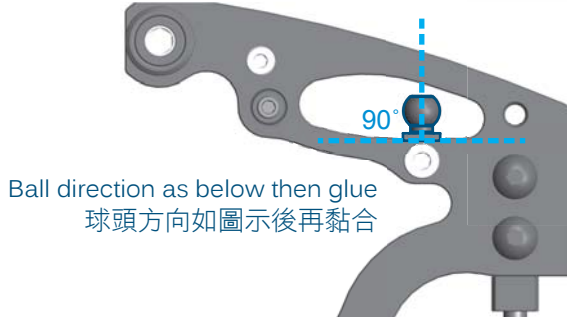
1:1 Scale

Right Side / 右邊

Left Side / 左邊



NOTICE



Option Parts (Not Included) / 改裝品 (未附於套件內)

R142006 A10 Suspension Mount Front-Alu (2)

Use option parts R142006 Aluminum Lower Shock Mount for more precise suspension operation

R142006 鋁合金的避震器下固定座是用於替換R131015 塑膠固定座的改裝品，它可以使避震器更準確的運做。



R105101 2x5mm Cap Screw (10)
R105204 3x8mm Flat Screw (10)
R105403 3x8mm Set Screw (10)

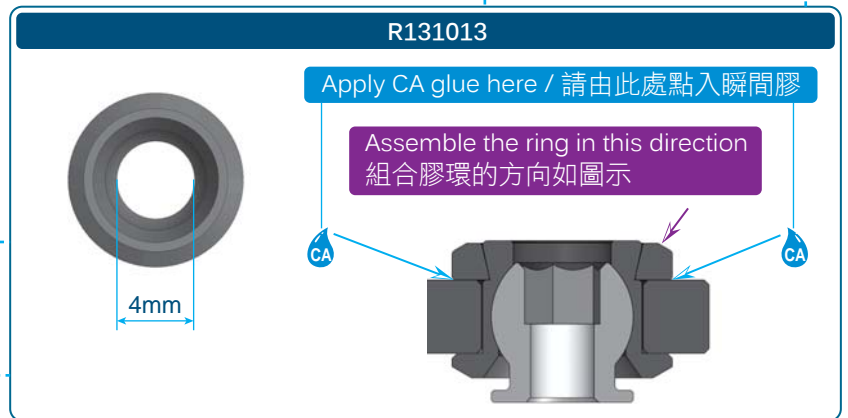
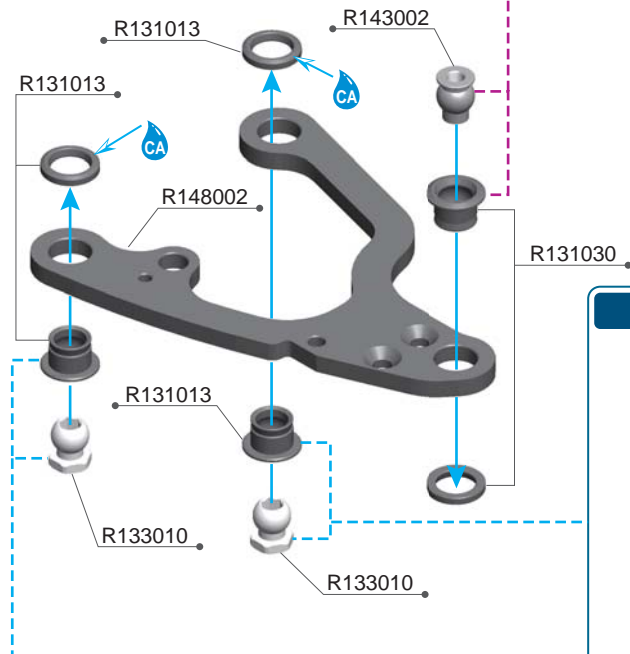
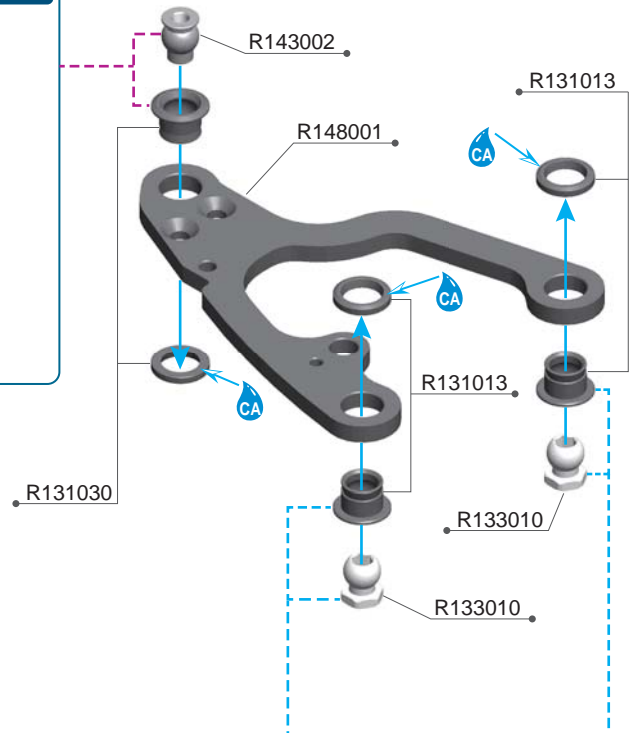
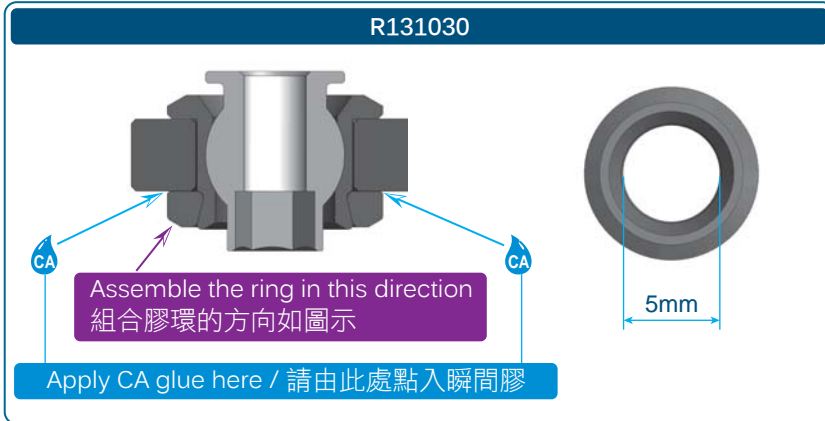
R105404 3x10mm Set Screw (10)
R131015 Front Low Arm Parts (3)
R805299 2.5x6mm Cap Screw (10)

REAR LOW ARM SET / 後下擺臂組

BAG 02

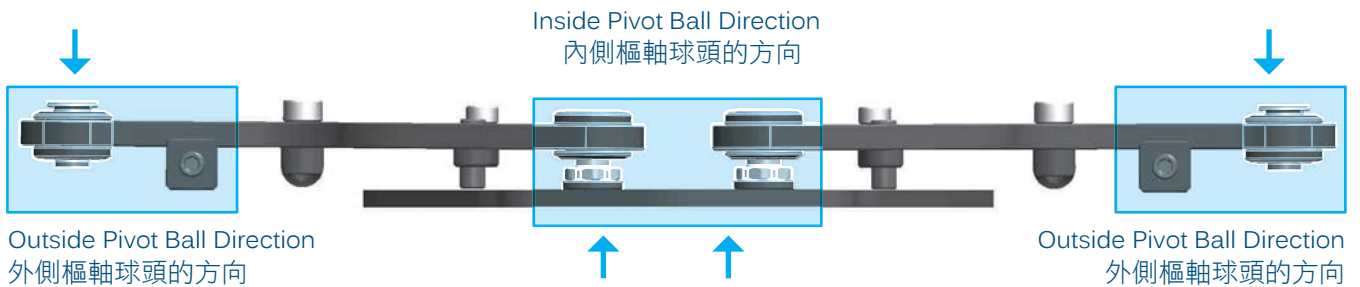
 =Apply CA Glue / 使用瞬間接著劑

Right Side / 右邊



Left Side / 左邊

PIVOT BALL DIRECTION / 球頭方向



R131013 5.8mm Ball Socket Set (3 Sets)
R131030 5.8mm Ball Socket Set-5mm (3 Sets)
R133010 5.8mm Pivot Ball-Titanium (2)

R143002 5.8mm Pivot Ball Long-Titanium (2)
R148001 A10-25 Rear Low Arm-Right
R148002 A10-25 Rear Low Arm-Left

REAR LOW ARM SET / 後下擺臂組

BAG 02



R105204
3x8mm Flat Screw (10)



R105403
3x8mm Set Screw (10)



R105404
3x10mm Set Screw (10)



R105101
2x5mm Cap Screw (10)



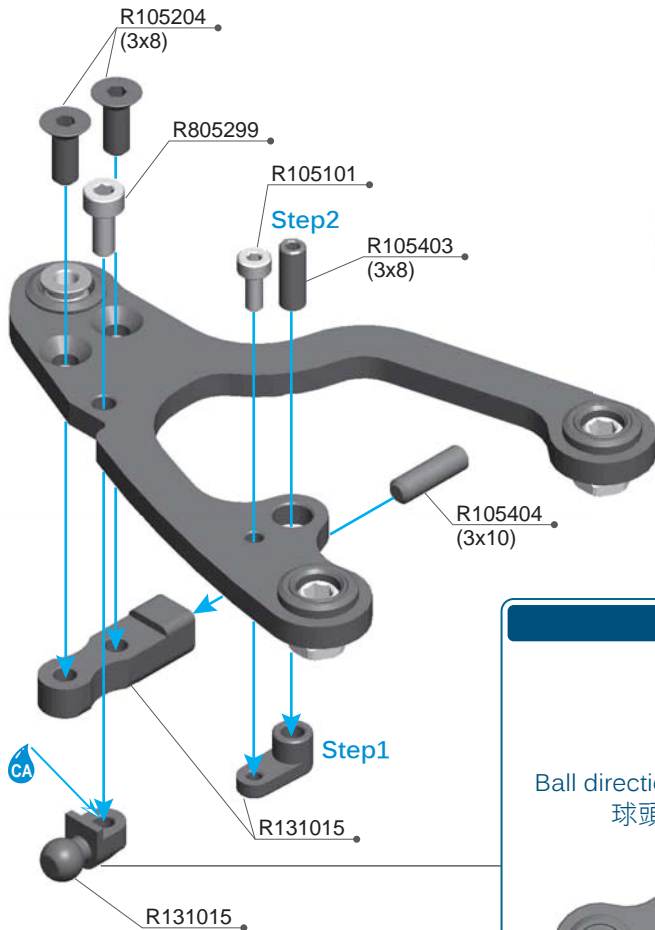
R805299
2.5x6mm Cap Screw (10)



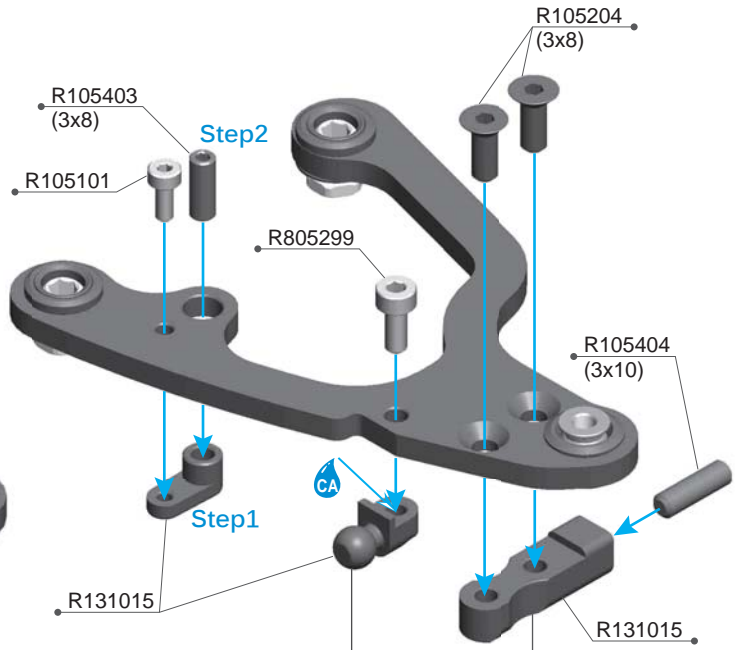
=Apply CA Glue
=使用瞬間接著劑

1:1 Scale

Right Side / 右邊

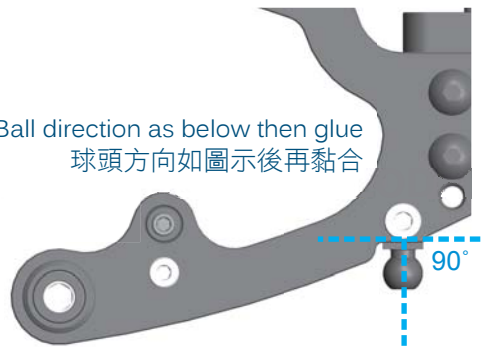


Left Side / 左邊



NOTICE

Ball direction as below then glue
球頭方向如圖示後再黏合



Option Parts (Not Included) / 改裝品 (未附於套件內)

R142006 A10 Suspension Mount Front-Alu (2)

Use option parts R142006 Aluminum Lower Shock Mount for more precise suspension operation

R142006 鋁合金的避震器下固定座是用於替換R131015 塑膠固定座的改裝品，它可以使避震器更準確的運做。

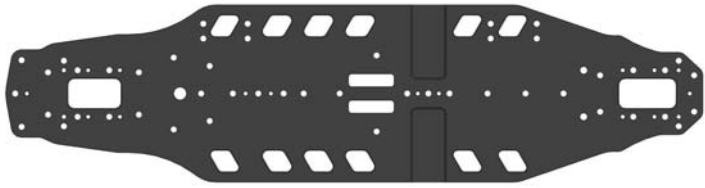


R105101 2x5mm Cap Screw (10)
R105204 3x8mm Flat Screw (10)
R105403 3x8mm Set Screw (10)

R105404 3x10mm Set Screw (10)
R131015 Front Low Arm Parts (3)
R805299 2.5x6mm Cap Screw (10)

Option Parts (Not Included) / 改裝品 (未附於套件內)

R142016 A10-25 Aluminum Chassis 2.0mm

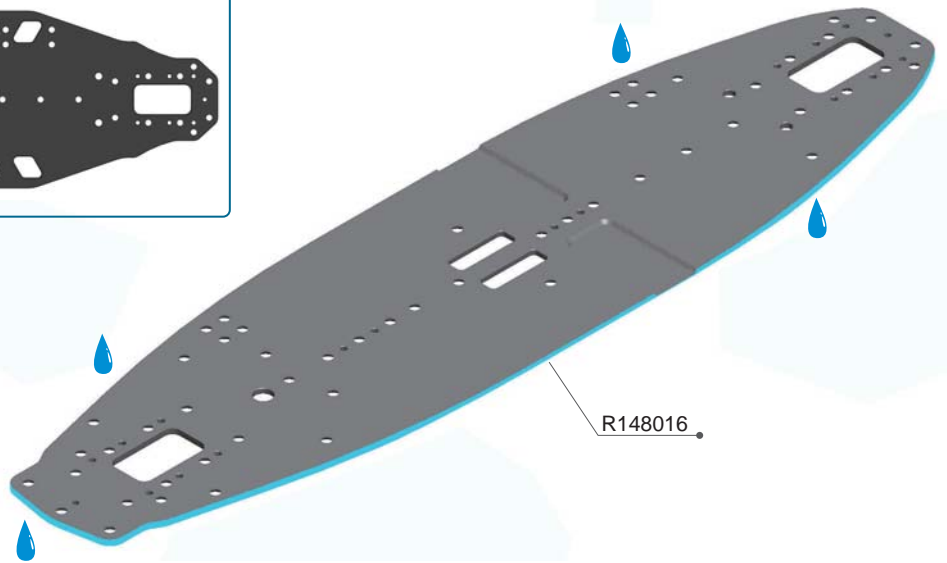


NOTICE



Apply CA Glue to the chassis edges and front bumper screws as highlighted.

請依圖示中的位置將前保桿螺絲孔用瞬間膠做補強。



R148016 A10-25 Main Chassis-Carbon

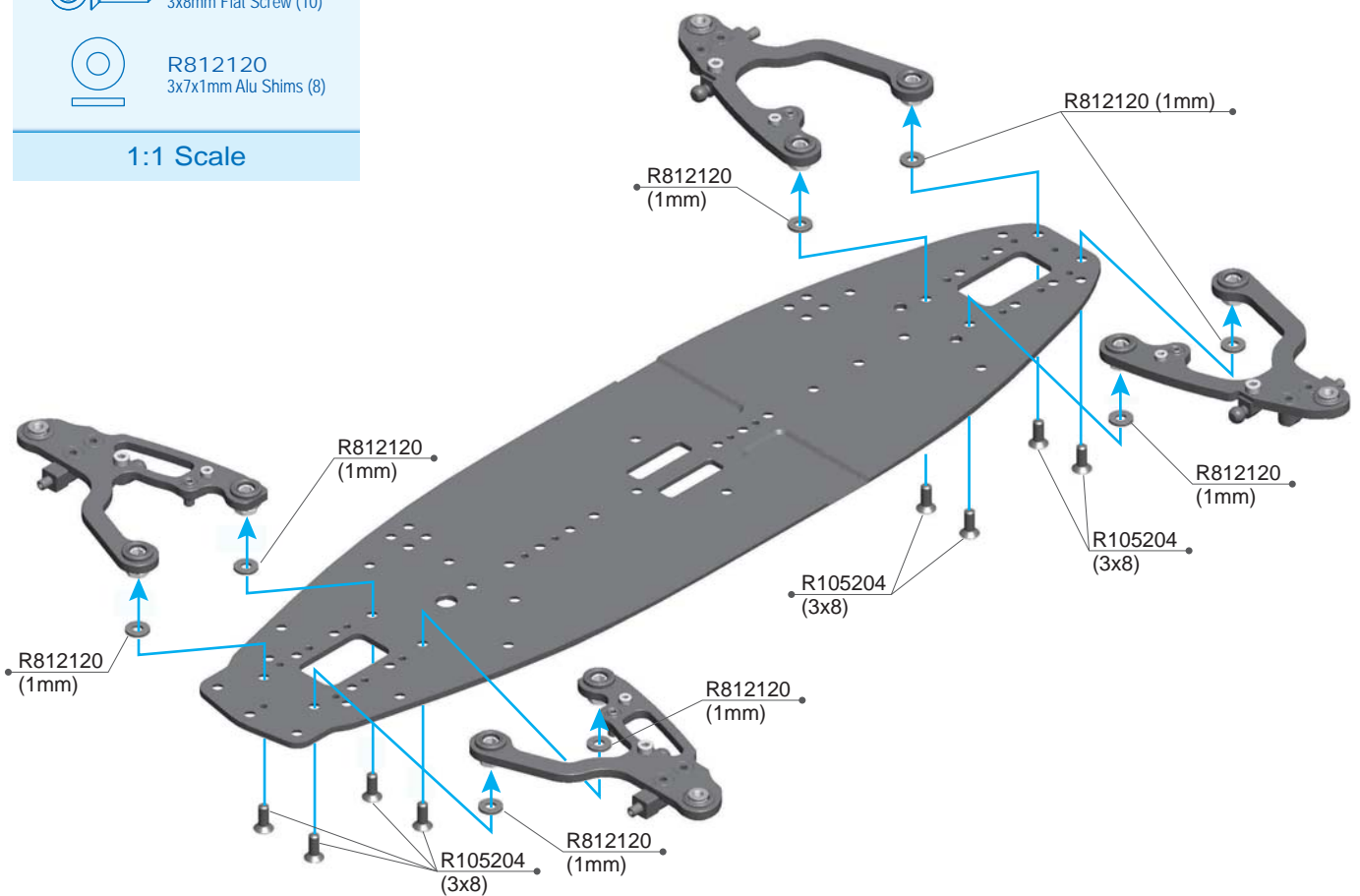


R105204
3x8mm Flat Screw (10)



R812120
3x7x1mm Alu Shims (8)

1:1 Scale

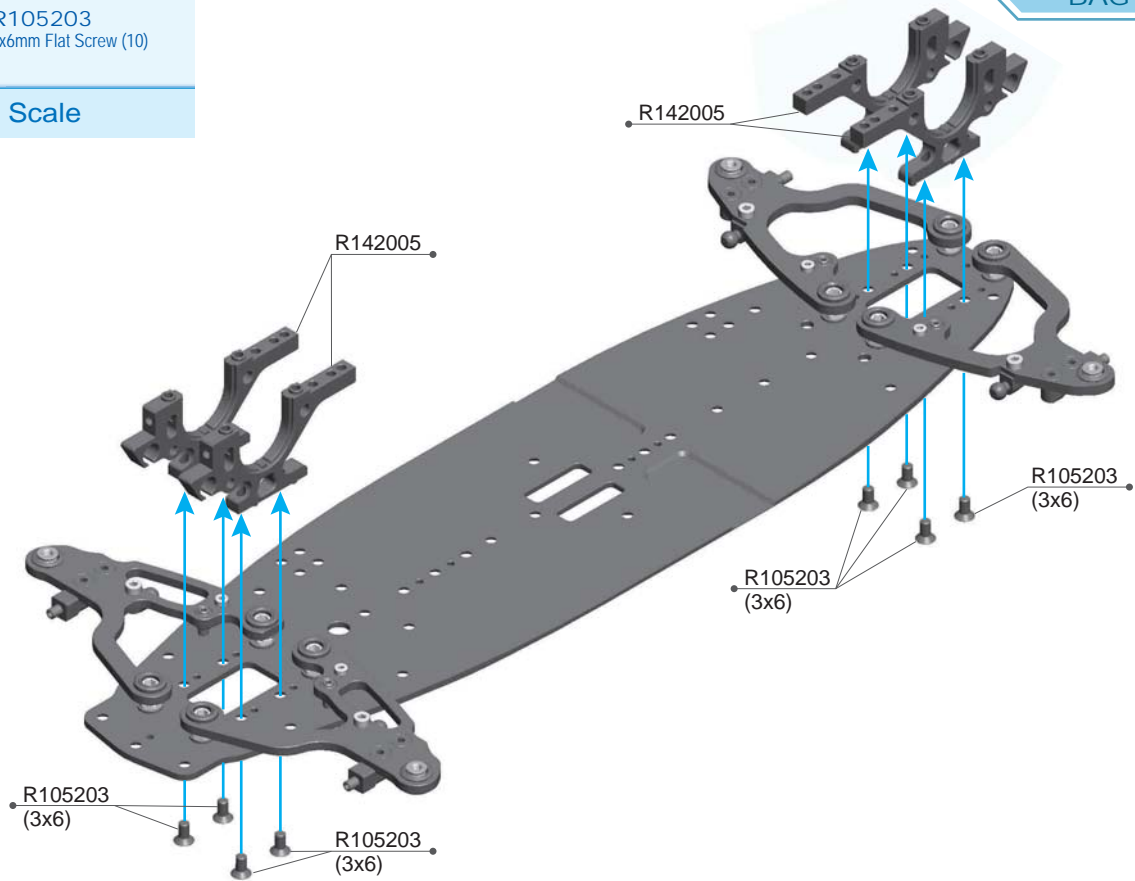


R105204 3x8mm Flat Screw (10)

R812120 3x7x1mm Alu Shims (8)

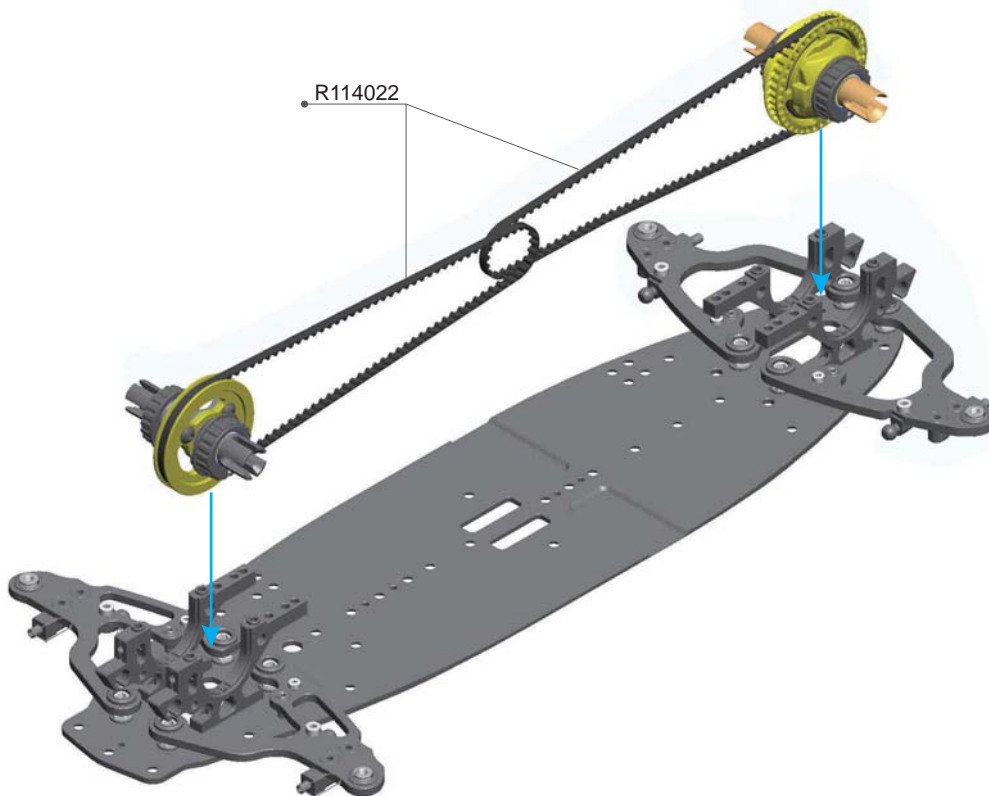
R105203
3x6mm Flat Screw (10)

1:1 Scale



R105203 3x6mm Flat Screw (10)

R142005 A10-25 Bulkhead



Option Parts (Not Included)
/ 改装品 (未附於套件内)

R114023
S3M-351-3mm White Rubber Belt



R114022 S3M-351-3mm Belt

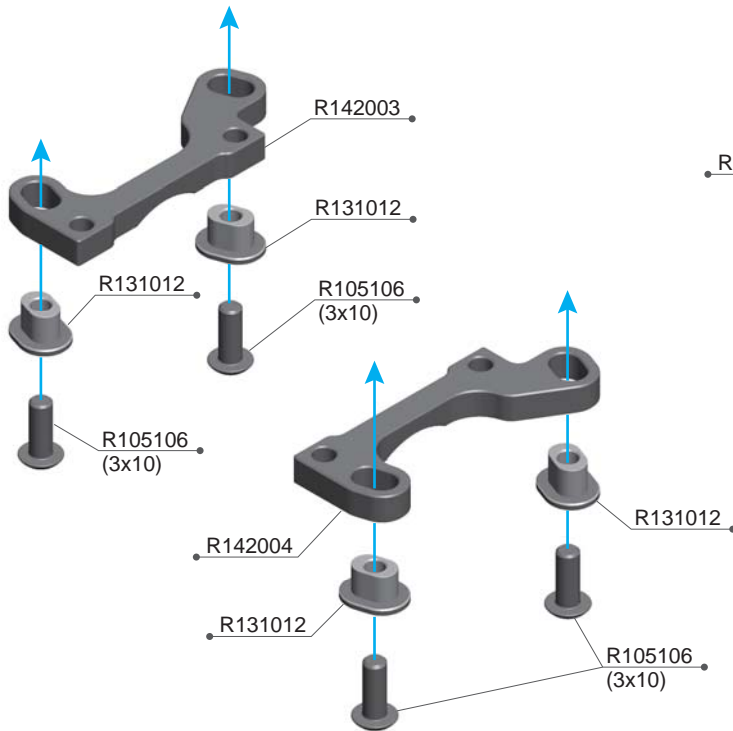


R105106
3x10 Round Screw (10)

1:1 Scale

FRONT UPPER BULKHEAD

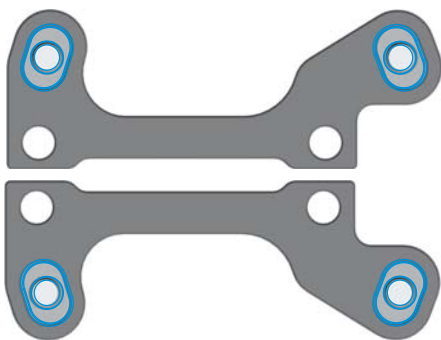
前上側板



FRONT / 前方

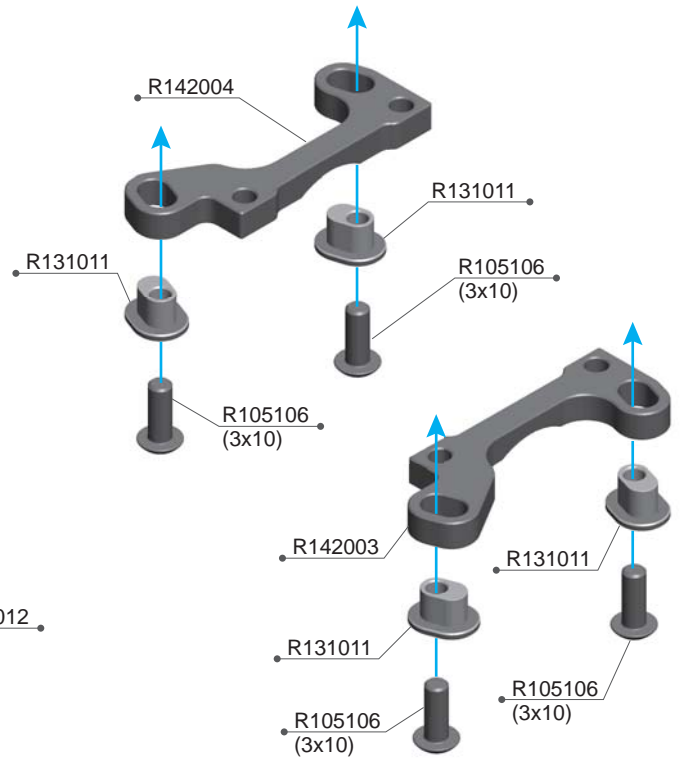
The upper arm length can be adjusted with different inserts. The default front upper arm setting uses the middle position.

上擺臂的長度可以用不同的固定座來做改變，預設的前上擺臂使用中間的孔位。



REAR UPPER BULKHEAD

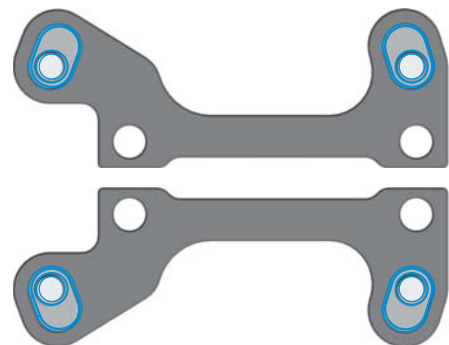
後上側板



REAR / 後方

The upper arm length can be adjusted with different inserts. The default rear upper arm setting uses the inside position for a longer upper arm.

上擺臂的長度可以用不同的固定座來做改變，預設的後上擺臂使用向內的孔位，此設定時後上擺臂的長度是最長的。



R105106 3x10 Round Screw (10)
R131011 Linkage Insert-Side (4)
R131012 Linkage Insert-Mid (4)

R142003 A10-25 Upper Bulkhead FR/RL
R142004 A10-25 Upper Bulkhead FL/RR



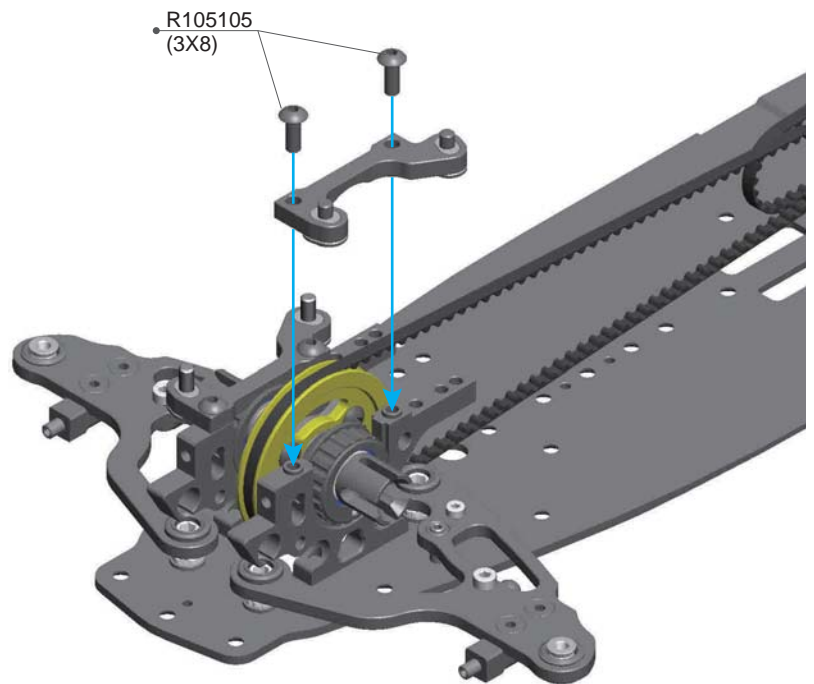
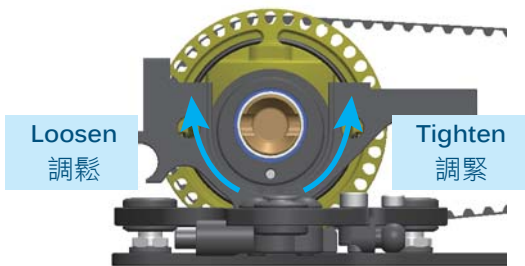
R105105
3x8 Round Screw (10)

1:1 Scale

FRONT/ 前方

The eccentric hub is used to adjust the front spool height and belt tension. The default setup is for the spool to be in a high position. The belt tension can then be adjusted incrementally.

偏心的襯套可以用來調整前直軸的高度與皮帶的鬆緊度，預設的前直軸位置於高處，皮帶的鬆緊可以如圖示來做調整。



R105105 3x8 Round Screw (10)



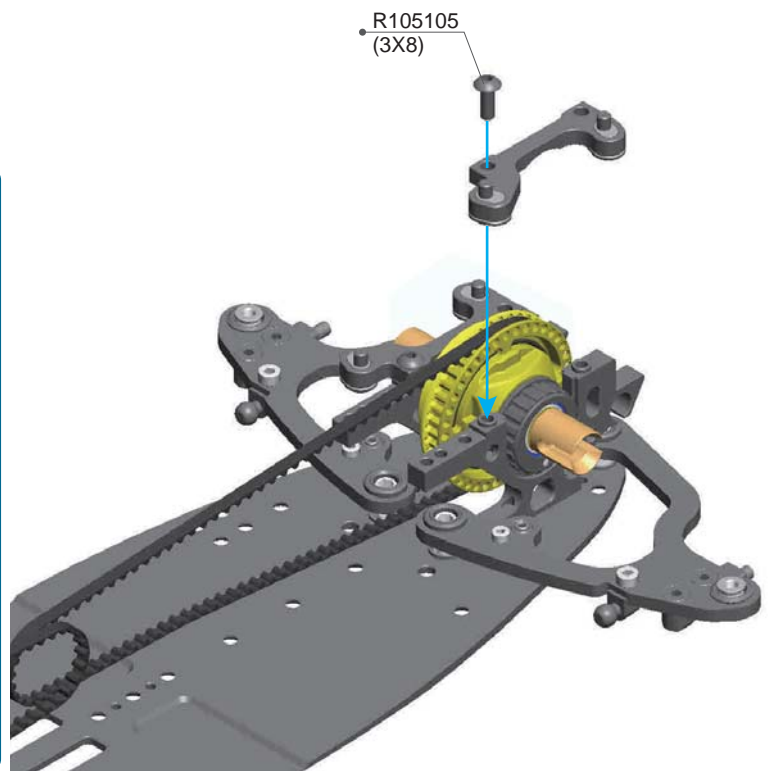
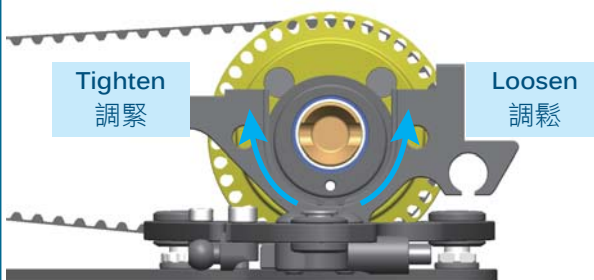
R105105
3x8 Round Screw (10)

1:1 Scale

REAR/ 後方

The eccentric hub is used to adjust the rear diff height and belt tension. The default setup is for the diff to be in a high position. The belt tension can then be adjusted incrementally.

偏心的襯套可以用來調整後差速的高度與皮帶的鬆緊度，預設的後差速位置於高處，皮帶的鬆緊可以如圖示來做調整。



R105105 3x8 Round Screw (10)



R105105
3x8 Round Screw (10)



R105203
3x6mm Flat Screw (10)

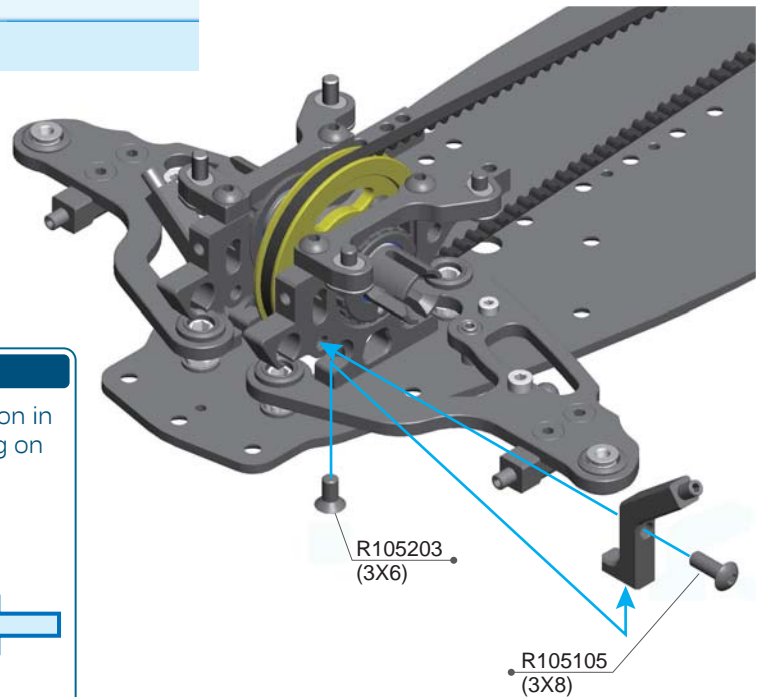
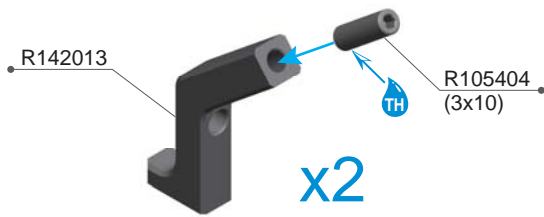


R105402
3x4mm Set Screw (10)



R105404
3x10mm Set Screw (10)

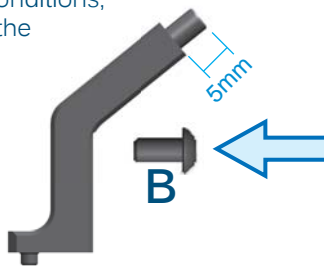
1:1 Scale



FRONT/前方

A 3X8 screw at "B" can be used to adjust the flex and traction in the front end and is used in the default setup. When driving on the medium to low traction track conditions, removing this screw can increase the amount of steering.

此3X8的螺絲可用來調整前半部的扭動與抓地力，初始設定請將螺絲鎖上，當跑道的抓地力是中等或低抓地力時，移除B這個螺絲可以增加前方的轉向力。

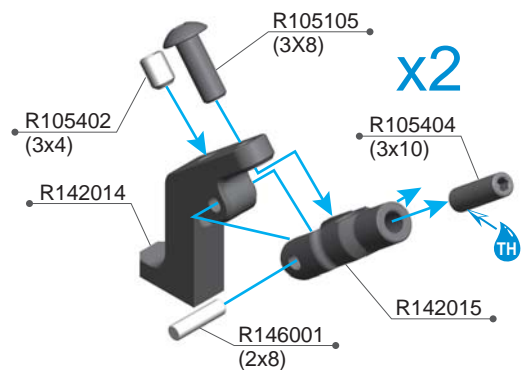
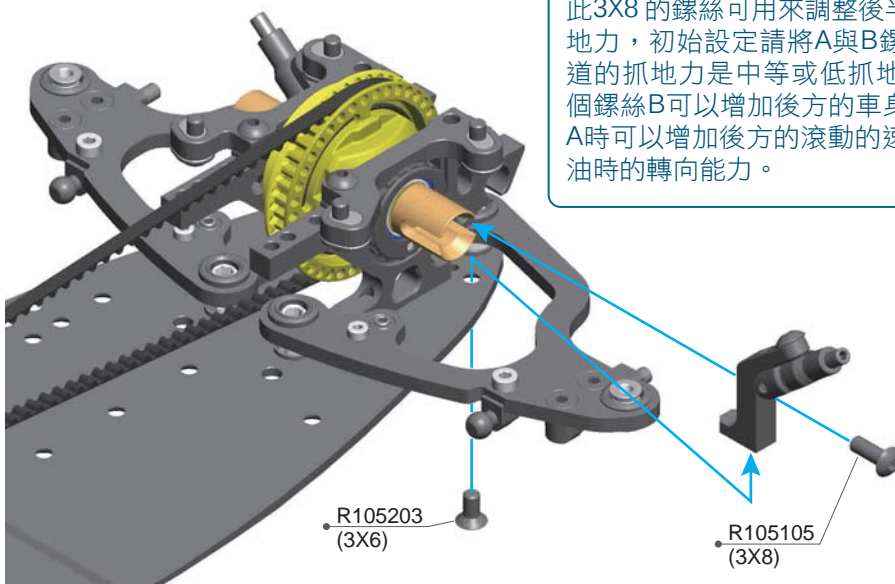
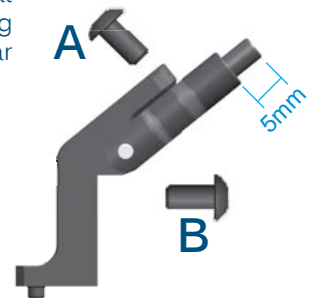


TH = Apply Thread Lock Adhesive
=使用螺絲防鬆膠

REAR/後方

3X8 Screw "A" and "B" can be used to adjust rear traction characteristics, with both screws used in the default setup. When driving on the medium to low traction track conditions, removing the screw at "B" can increase the rear rotation, While removing the screw "A" can increase rotation in the rear end resulting in more off power steering.

此3X8的螺絲可用來調整後半部的扭動與抓地力，初始設定請將A與B螺絲鎖上，當跑道的抓地力是中等或低抓地力時，移除這個螺絲B可以增加後方的車身滾動，當移除A時可以增加後方的滾動的速度，並增加放油時的轉向能力。



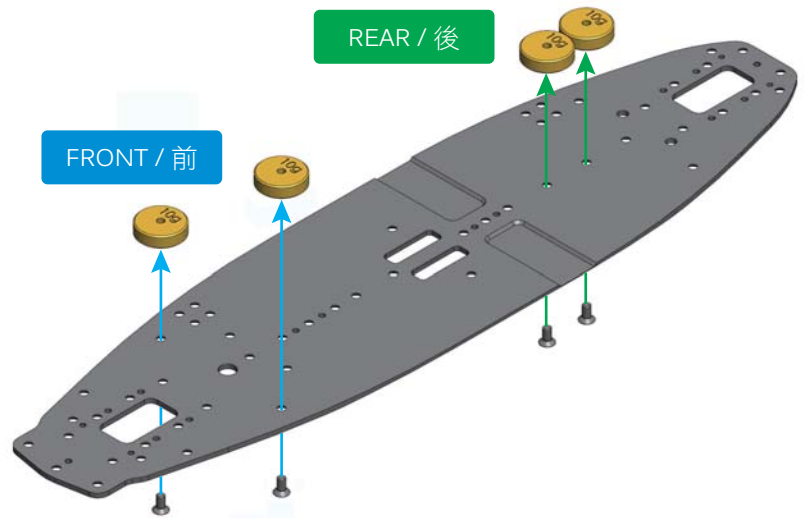
R105105 3x8 Round Screw (10)
R105203 3x6mm Flat Screw (10)
R105402 3x4mm Set Screw (10)
R105404 3x10mm Set Screw (10)

R142013 A10-25 Front Shock Tower
R142014 A10-25 Rear Shock Tower-Lower
R142015 A10-25 Rear Shock Tower-Upper
R146001 2x8mm Pin (4)

WEIGHT DISTRIBUTE ADJUSTMENT INSTRUCTION / 車身配重說明

There are 4 locations to add or remove the R133003 10g brass weight, adding more weight in front can make the car easier to drive with more predicable handling, While adding weight in the rear can increase steering, especially off-power.

車身共有四個位置可以加上R133003 10公克的配重塊，在正常情況下於前方加重可以讓車輛更容易駕駛，操控性更好，於後方加重可以讓車輛於放開油門時增加更多的轉向能力。



FLEX ADJUSTMENT INSTRUCTION / 車身扭動調整說明

There are 5 screws for attaching the motor mount to the main chassis, we recommend starting with screw #4 and #5. Note the #1 screw requires 1mm shims to be added between the motor mount.

When using screws at #1, #2 and #3, chassis flex will be reduced. This will help to increase response of the steering response and may be useful in low traction situation. For higher traction, less screw on the motor mount can make the car more easier to drive.

共有五顆螺絲可用來固定馬達座，建議初始鎖上 #4 #5 這二顆螺絲，當需要鎖上 #1 時，需於中間加上一片 1mm 的墊片，當 #1 #2 #3 都鎖上時，車身整體的硬度會增加並增加車輛的轉向反應，建議使用於低抓地力的場地，當場地的抓地力高時，鎖越少的螺絲可使車輛更容易駕駛。

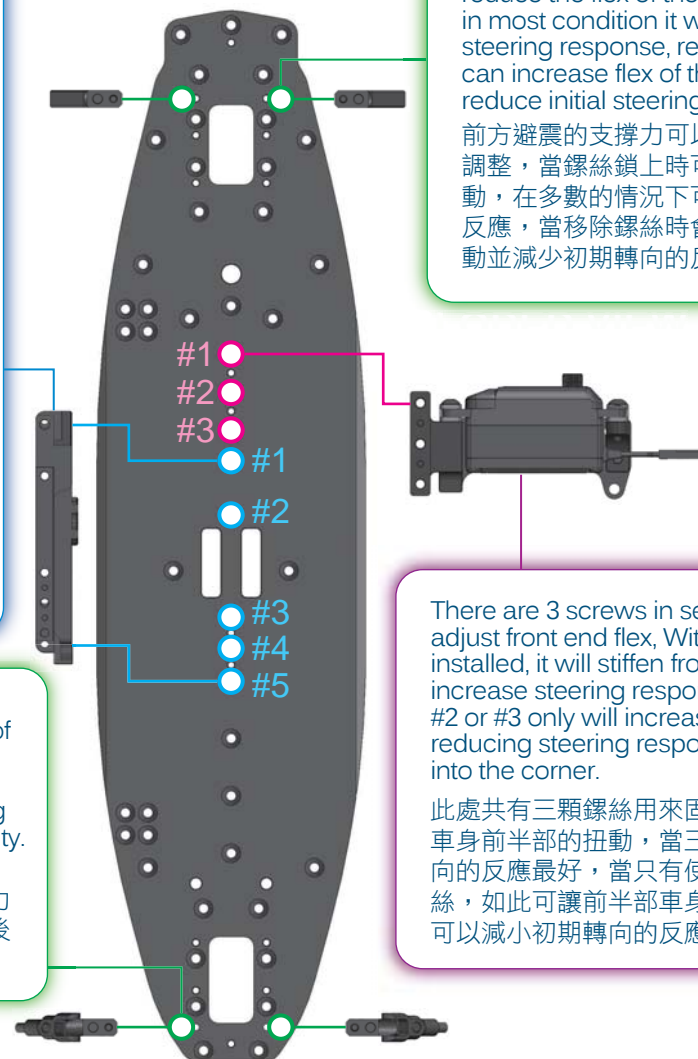
The bottom screw for the rear shock tower can be used to adjust the flex of the rear suspension. Removing this screw will reduce rear traction giving the car more steering, While installing this screw can increase overall stability. 避震架的底部螺絲可用來調整抓地力，當底部螺絲移除時可減少後方的抓地力並增加轉向力，當螺絲鎖上時可增加後方的穩定性。

The front shock bottom screw here can use to adjust the flex of the front suspension, With the screw fix can reduce the flex of the front shock tower, in most condition it will increase front steering response, remove screw here can increase flex of the tower and reduce initial steering response.

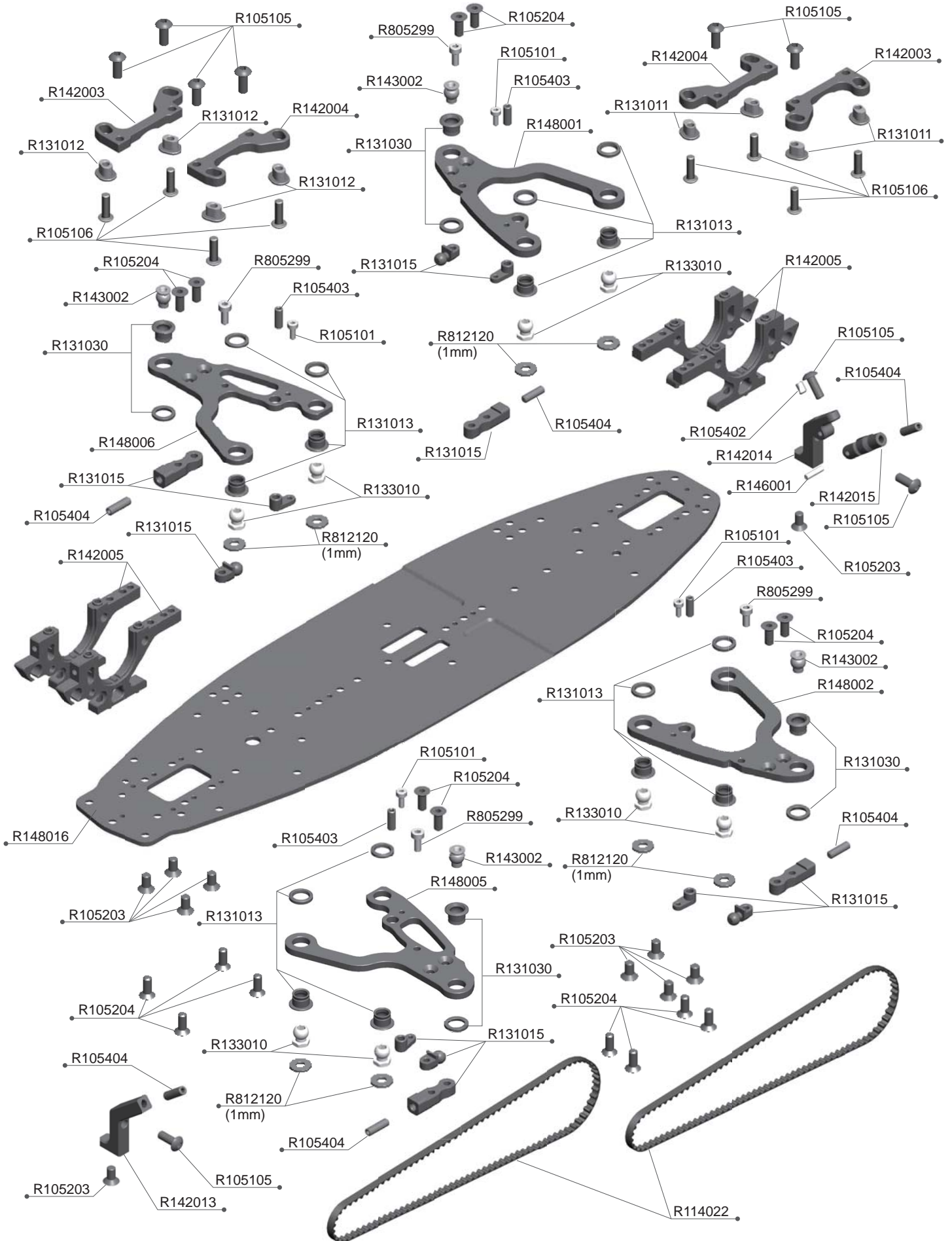
前方避震的支撐力可以用底部的螺絲來調整，當螺絲鎖上時可減少避震架的扭動，在多數的情況下可增加前期轉向的反應，當移除螺絲時會增加避震架的扭動並減少初期轉向的反應。

There are 3 screws in servo mount to adjust front end flex, With all 3 screws installed, it will stiffen front end flex and increase steering response. Using screw #2 or #3 only will increase front end flex, reducing steering response especially into the corner.

此處共有三顆螺絲用來固定伺服機與調整車身前半部的扭動，當三顆全鎖時車頭轉向的反應最好，當只有使用 #2 與 #3 號螺絲，如此可讓前半部車身有多一些扭動，可以減小初期轉向的反應。



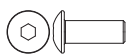
A10-25 BAG 02 PARTS EXPLODED VIEW



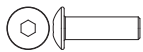
A10-25 BAG 02 PARTS LIST

R105101	2x5mm Cap Screw (10)	R142003	A10-25 Upper Bulkhead FR/RL
R105105	3x8 Round Screw (10)	R142004	A10-25 Upper Bulkhead FL/RR
R105106	3x10 Round Screw (10)	R142005	A10-25 Bulkhead
R105203	3x6mm Flat Screw (10)	R142013	A10-25 Front Shock Tower
R105204	3x8mm Flat Screw (10)	R142014	A10-25 Rear Shock Tower-Lower
R105402	3x4mm Set Screw (10)	R142015	A10-25 Rear Shock Tower-Upper
R105403	3x8mm Set Screw (10)	R143002	5.8mm Pivot Ball Long-Titanium (2)
R105404	3x10mm Set Screw (10)	R146001	2x8mm Pin (4)
R114022	S3M-351-3mm Belt	R148001	A10-25 Rear Low Arm-Right
R131011	Linkage Insert-Side (4)	R148002	A10-25 Rear Low Arm-Left
R131012	Linkage Insert-Mid (4)	R148005	A10-25 Front Low Arm-Left
R131013	5.8mm Ball Socket Set (3 Sets)	R148006	A10-25 Front Low Arm-Right
R131015	Front Low Arm Parts (3)	R148016	A10-25 Main Chassis-Carbon
R131030	5.8mm Ball Socket Set-5mm (3 Sets)	R805299	2.5x6mm Cap Screw (10)
R133010	5.8mm Pivot Ball-Titanium (2)	R812120	3x7x1mm Alu Shims (8)

1:1 SCALE



R105105
3x8 Round Screw (10)



R105106
3x10 Round Screw (10)



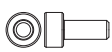
R105203
3x6mm Flat Screw (10)



R105204
3x8mm Flat Screw (10)



R105101
2x5mm Cap Screw (10)



R805299
2.5x6mm Cap Screw (10)



R105402
3x4mm Set Screw (10)



R105403
3x8mm Set Screw (10)



R105404
3x10mm Set Screw (10)



R146001
Ø2x8 Pin (10)

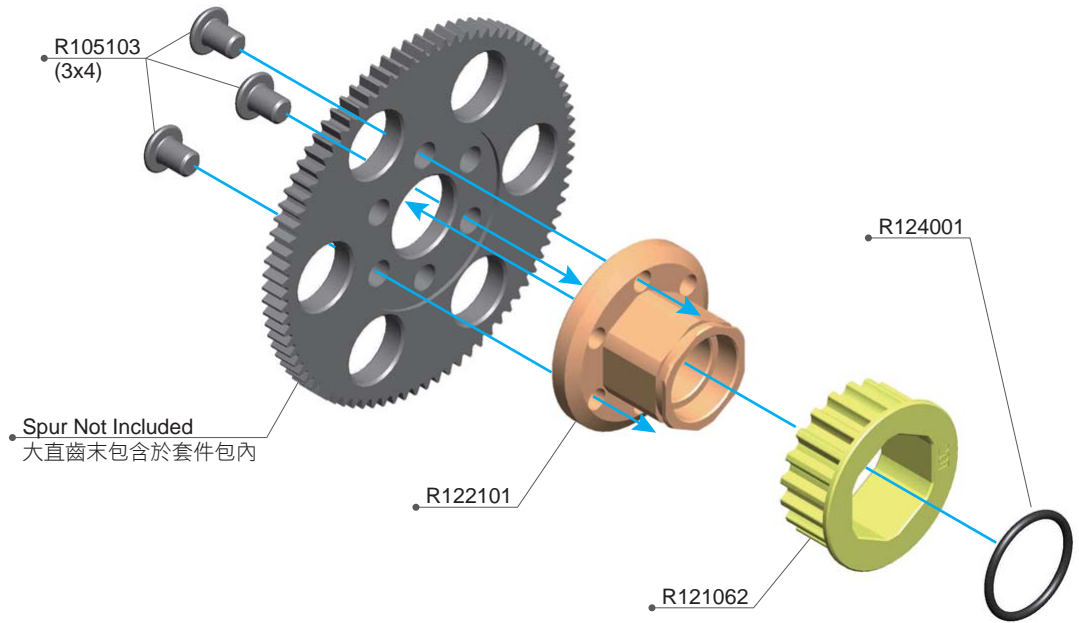


R812120
3x7x1mm Alu Shims (8)



R105103
3x4 Round Screw (10)

1:1 Scale



R105103 3x4 Round Screw (10)
R121062 R12 Kevlar Center Pulley 20T

R122101 R12 Center Pulley Hub-Alu
R124001 10x1 O'ring (4)

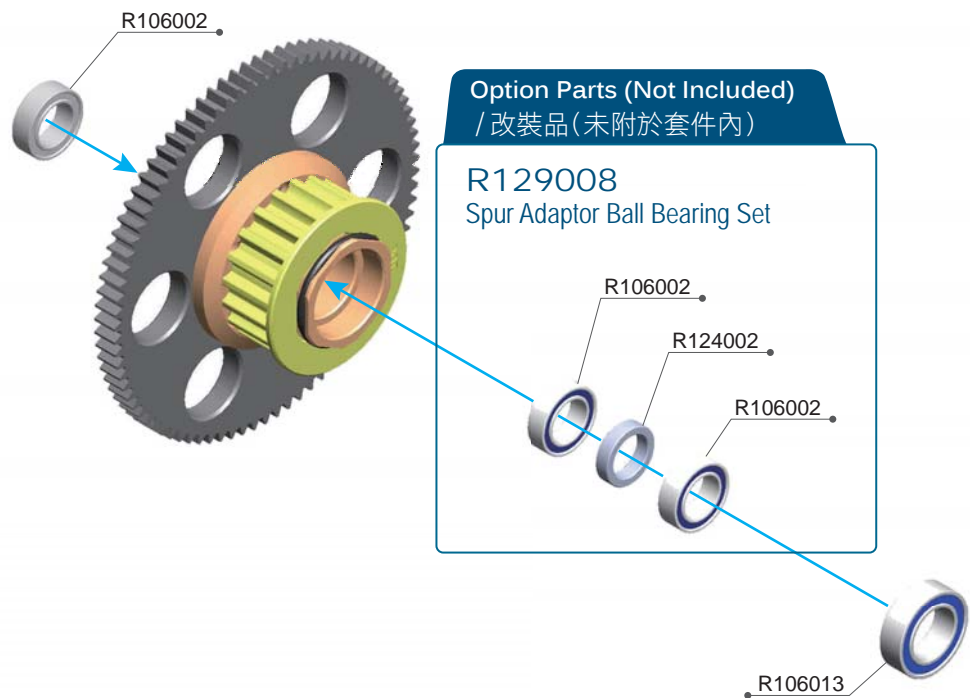


R106002
5x8x2.5mm
Ball Bearing /Metal Seal (4)







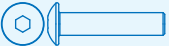



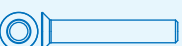


R106013
6x10x3mm Ball Bearing (2)

1:1 Scale

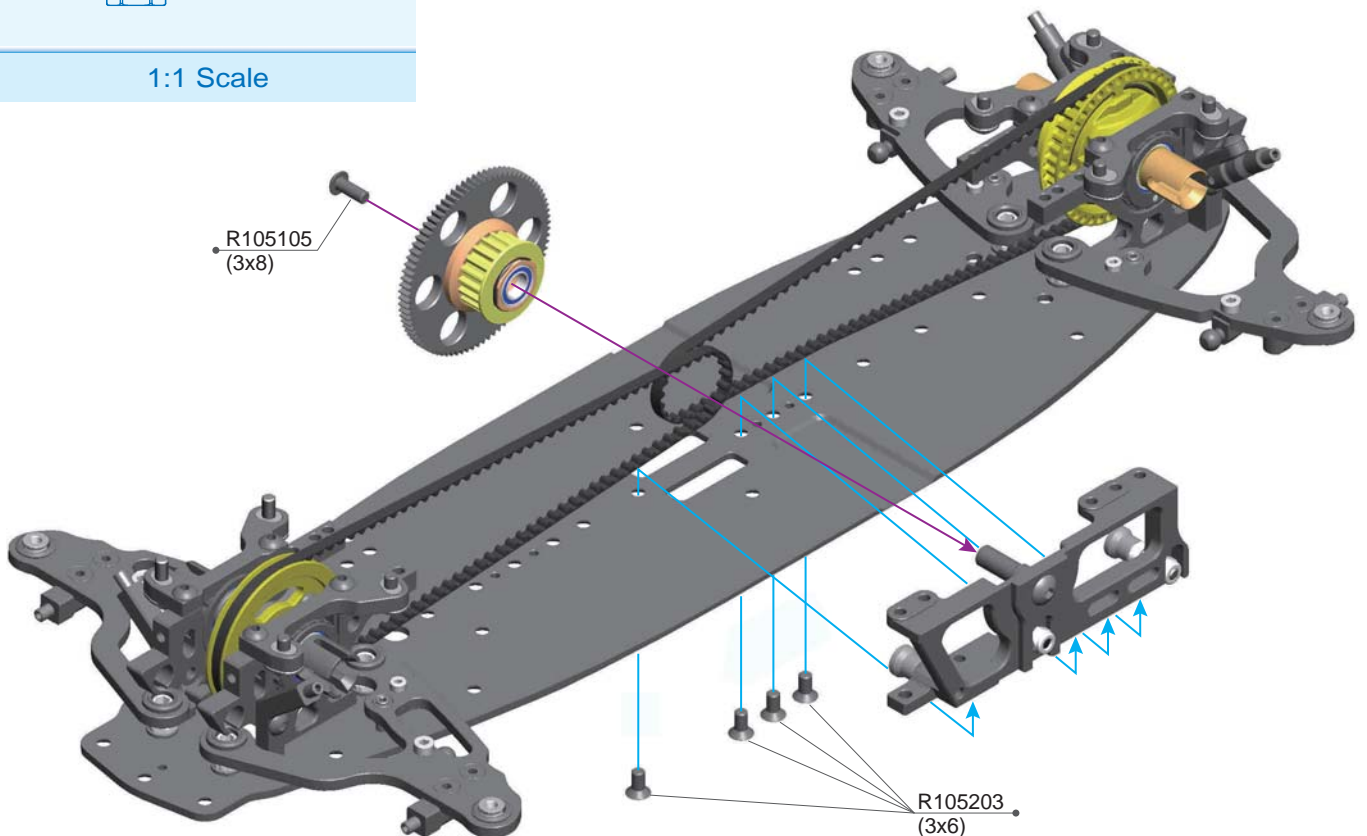
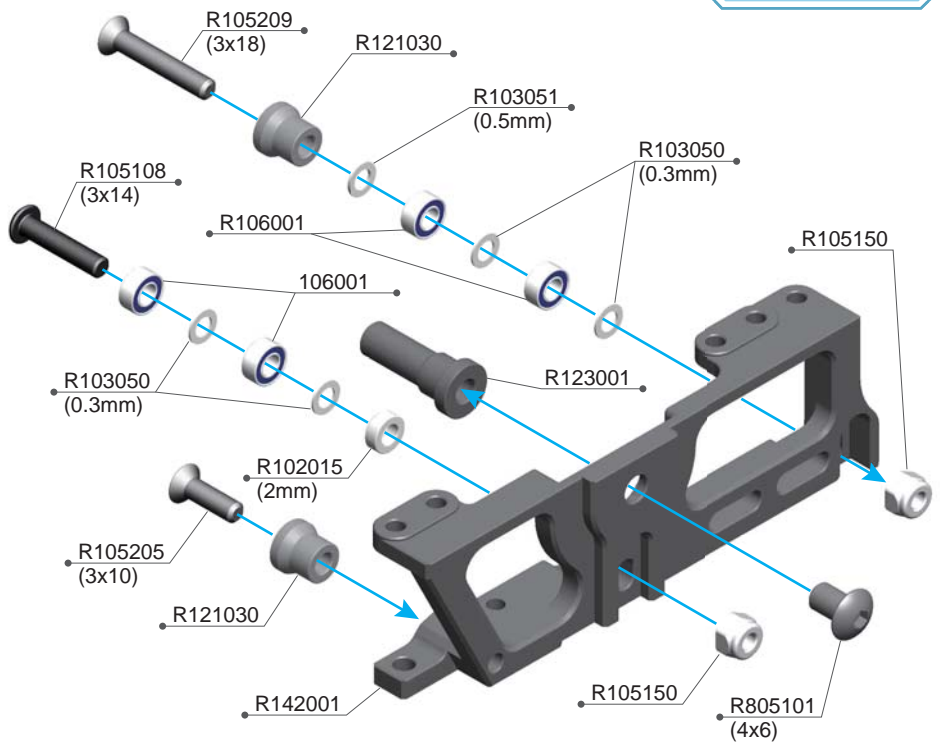


R106002 5x8x2.5mm Ball Bearing /Metal Seal (4)
R106013 6x10x3 Ball Bearing (2)

R124002 5x7x1.7 Teflon Ring (2)

-  R102015
3x5.5x2mm Alu Shims (8)
-  R103050
3x5x0.3mm Shims (10)
-  R103051
3x5x0.5mm Shims (10)
-  R105105
3x8 Round Screw (10)
-  R105108
3x14 Round Screw (10)
-  R805101
4x6 Round Screw (10)
-  R105203
3x6mm Flat Screw (10)
-  R105205
3x10mm Flat Screw (10)
-  R105209
3x18mm Flat Screw (10)
-  R106001
3x6x2.5mm Ball Bearing (2)
-  R105150
3mm Nylon Nut (10)

1:1 Scale



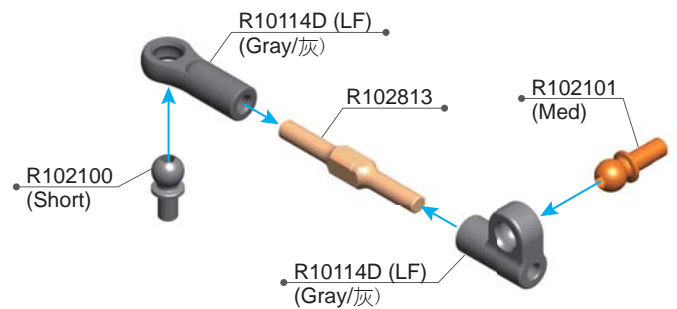
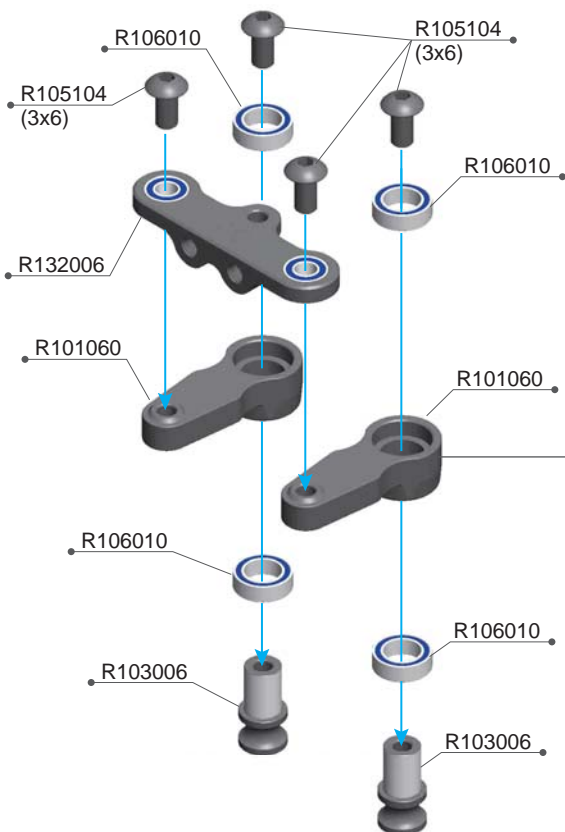
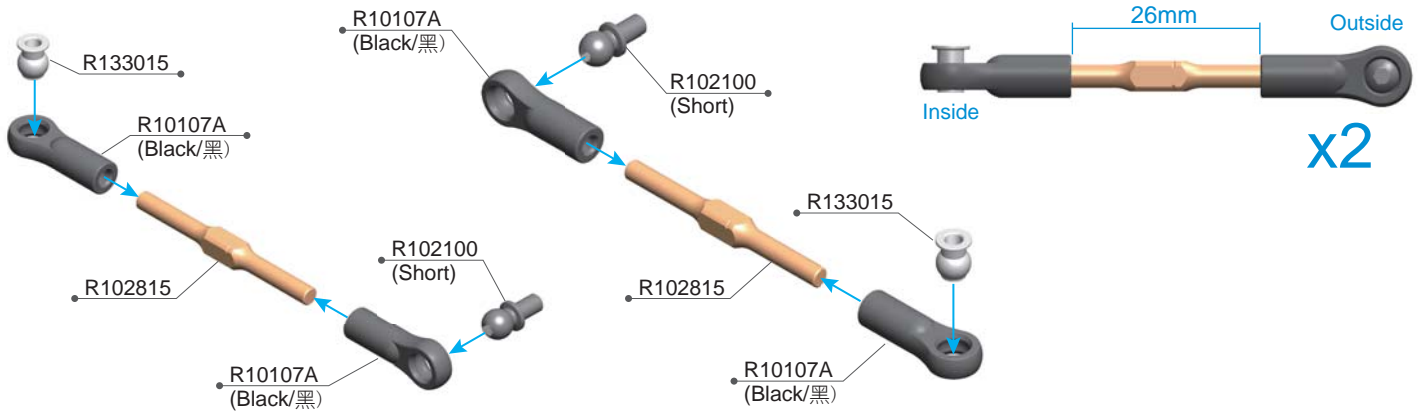
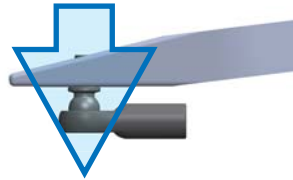
- R102015 3x5.5x2mm Alu Shims(8pcs)
- R103050 3x5x0.3mm Shims (10)
- R103051 3x5x0.5mm Shims (10)
- R105105 3x8 Round Screw (10)
- R105108 3x14 Round Screw (10)
- R105150 3mm Nylon Nut (10)
- R105203 3x6mm Flat Screw (10)

- R105205 3x10mm Flat Screw (10)
- R105209 3x18mm Flat Screw (10)
- R106001 3x6x2.5mm Ball Bearing (2)
- R121030 R12 Eccentric Hub (4)
- R123001 R12 Spur Shaft
- R142001 A10-25 Motor Mount
- R805101 4x6 Round Screw (10)

R105104
3x6mm Round Screw (10)

R106010
5x8x2.5mm Ball Bearing (4)

1:1 Scale



Option Parts (Not Included) / 改裝品 (未附於套件內)

R132044 Bell Crank 18mm Alu B.B Assembled (2)

The optional R132044 bell crank 18mm are designed for A10 and R12 series of cars.

They are the same distance as the plastic bell cranks but are precision CNC machined from 7075-T6 aluminum. They come with the bearings pre-installed for minimal play and give more precise handling especially on the high traction tracks.

適用於R12與A10系列車種的7075-T6鋁合金雙搖臂，此搖臂的距離與塑膠件相同可以直接替用，預先安裝的培林將虛位減到最小並提供更精確的操控性。



- R101060 Servo Horn Dual steering arm
- R10107A Ball Joint 4.9mm Open (6pcs)
- R10114D Steering Rod Ball Joint Set (LF)
- R102100 Alu 4.9mm Ball End Short(4pcs)
- R102101 Alu 4.9mm Ball End Med(4pcs)
- R102813 Turnbuckle 3x28mm ALU-7075 (2pcs)

- R102815 Turnbuckle 3x37mm ALU-7075 (2pcs)
- R103006 Steering Shaft(2pcs)
- R105104 3x6 Round Screw (10)
- R106010 5x8x2.5mm Ball Bearing (4pcs)
- R132006 Steering Plate 8.5-V2
- R133015 Ball Head 4.9mm +0.5 (4)

R102017
3x5.5x3mm Alu Shims (4)

R105203
3x6mm Flat Screw (10)

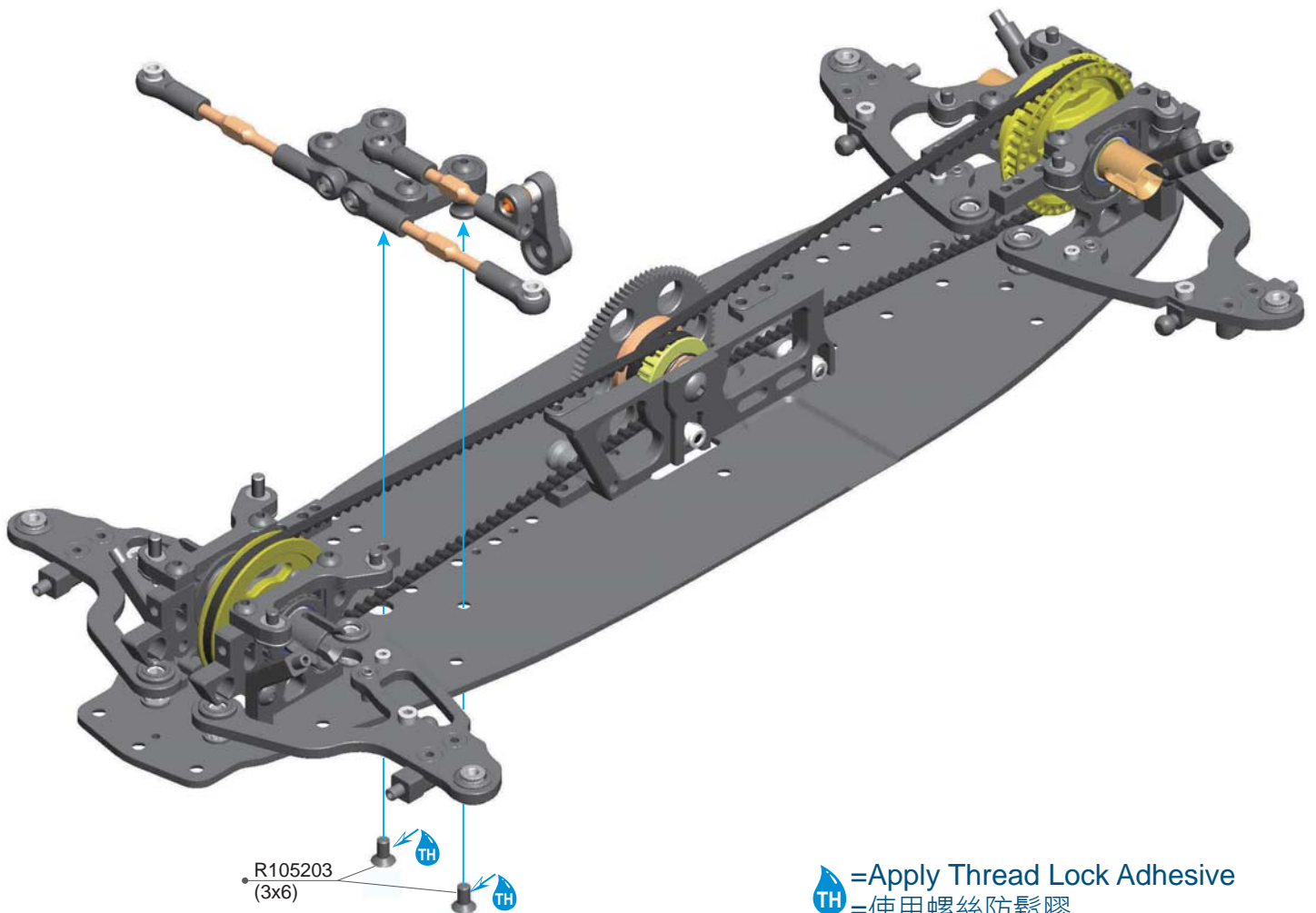
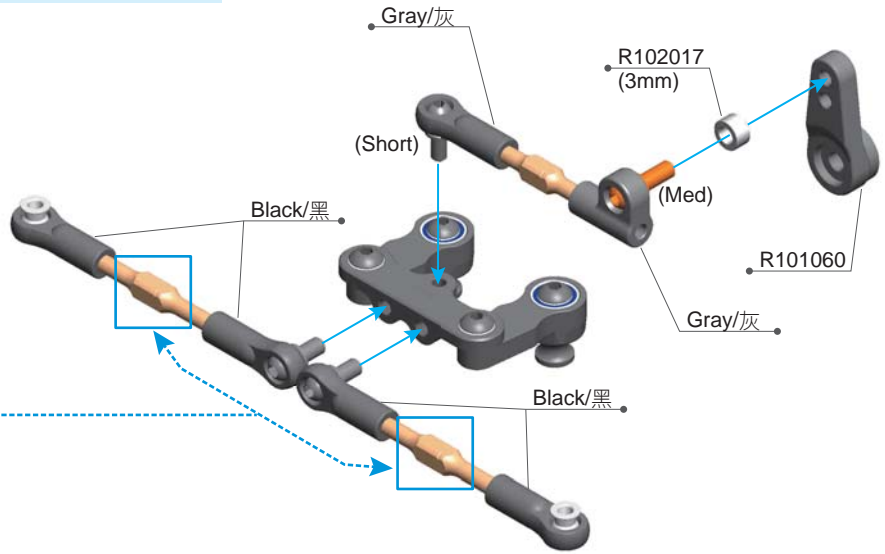
1:1 Scale

NOTICE



It is recommended to place the notch on each turnbuckle to the left side, which will make it easier to adjust camber and toe.

建議請將拉桿的缺口記號統一放置於左方，以便於調整前束角時方向會一致。



TH = Apply Thread Lock Adhesive
=使用螺絲防鬆膠

R101060 Servo Horn Dual steering arm
R102017 3X5.5X3mm Alu Shims(4pcs)

R105203 3x6mm Flat Screw (10)



R105104
3x6 Round Screw (10)



R105105
3x8 Round Screw (10)

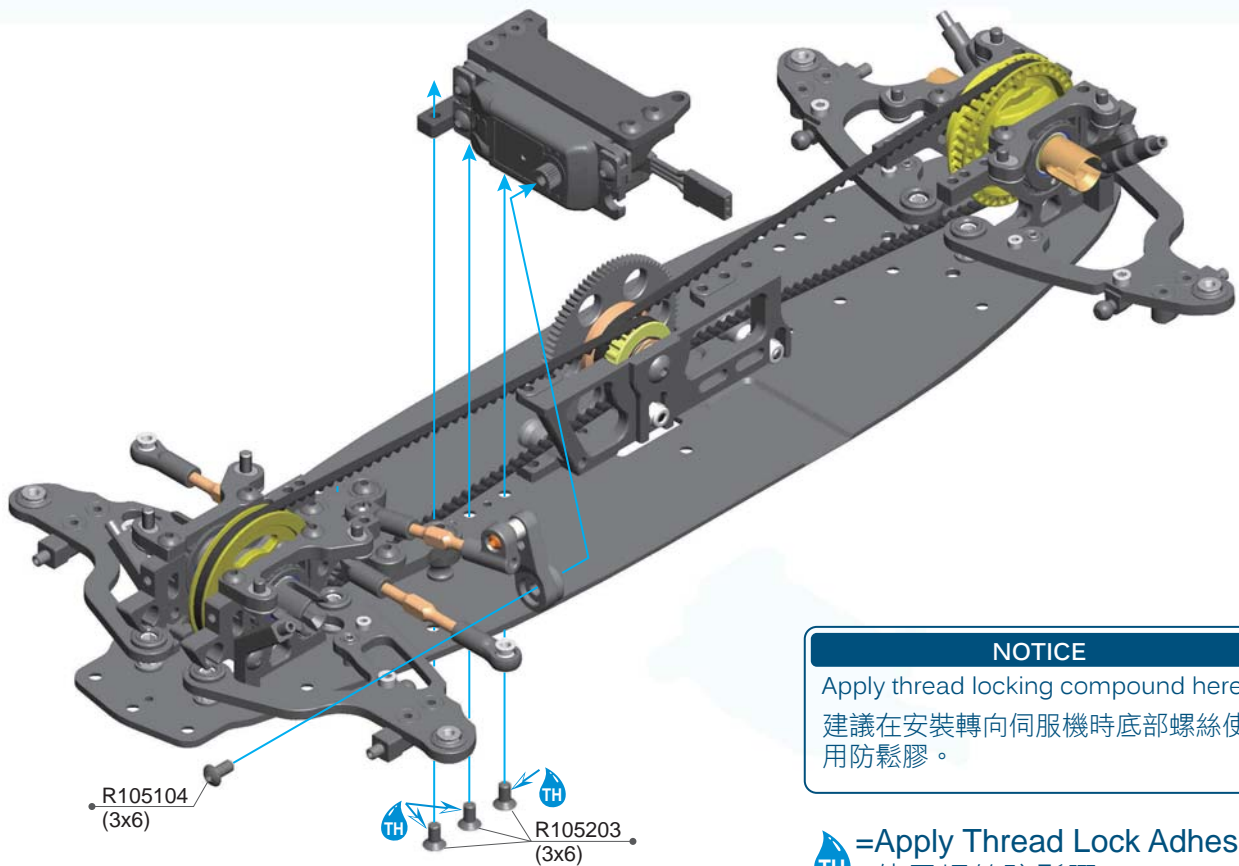
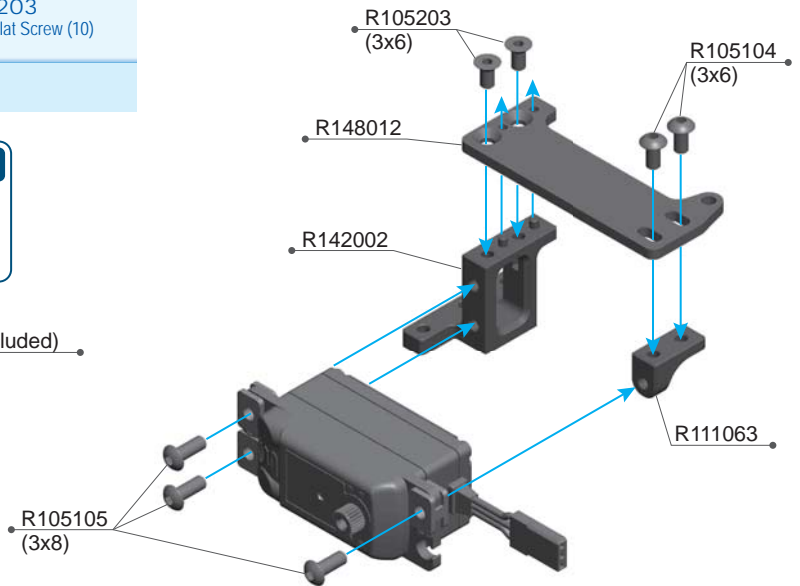


R105203
3x6mm Flat Screw (10)

1:1 Scale

NOTICE

It is recommended to use servo mount rubber.
建議安裝時使用伺服機防震膠套。



NOTICE

Apply thread locking compound here.
建議在安裝轉向伺服機時底部螺絲使用防鬆膠。

TH = Apply Thread Lock Adhesive
TH = 使用螺絲防鬆膠

R105104 3x6 Round Screw (10)
R105105 3x8 Round Screw (10)
R105203 3x6mm Flat Screw (10)

R111063 R11 Servo Mount-Left
R142002 A10-25 Servo Mount-Alu
R148012 A10-25 Servo Mount Plate



R103050
3x5x0.3mm Shims (10)



R105104
3x6 Round Screw (10)



R106001
3x6x2.5mm Ball Bearing (2)

1:1 Scale

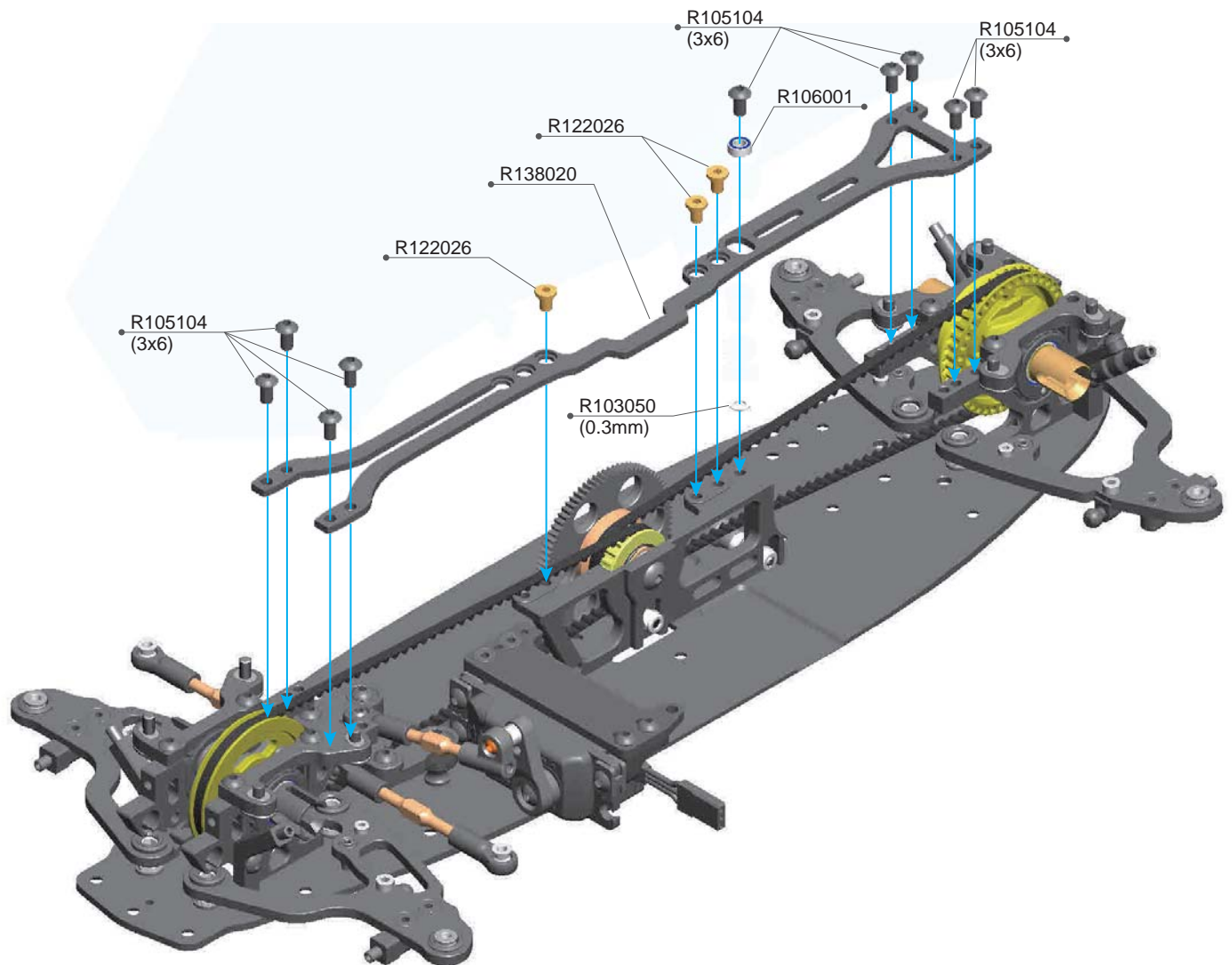
Option Parts (Not Included) / 改裝品 (未附於套件內)

R138021 A10 Rear Upper Deck

R138022 A10 Front Upper Deck


The optional 2-piece top decks are a useful tuning aid to fine tune the flex for the A10. It allows front and rear flex to be independently adjusted according to track conditions.

分離式的二樓板前方二樓板R138021,後方二樓板R138022 這二種改裝二樓板可以用來調整A10, 相比於原廠一片式二樓板, 分離式的前方與後方分別可以分開調整, 並可以調整到較高的硬度。

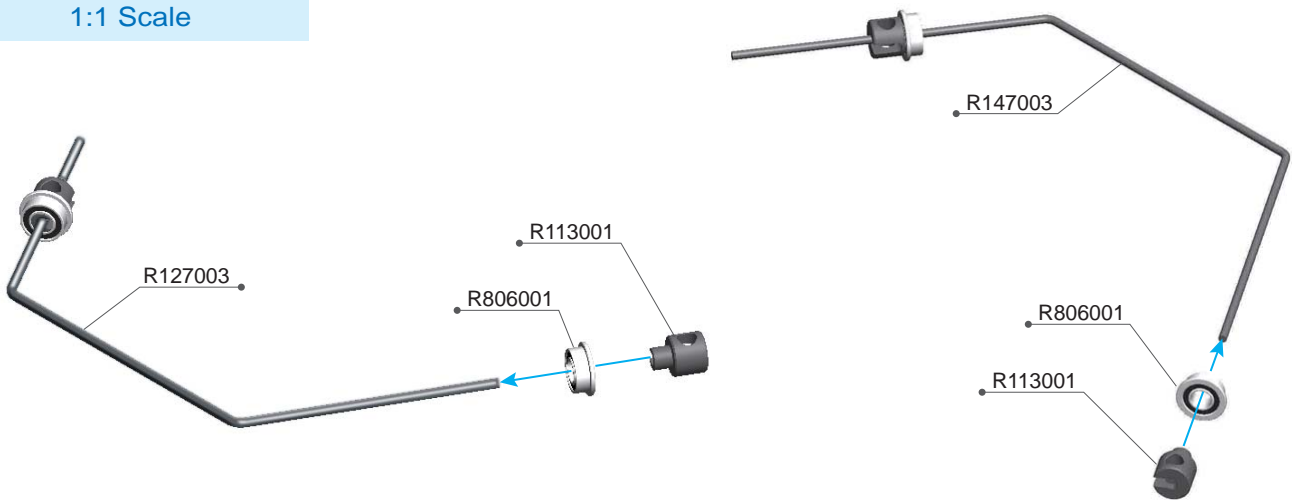


R103050 3x5x0.3mm Shims (10)
R105104 3x6 Round Screw (10)
R106001 3x6x2.5mm Ball Bearing (2)

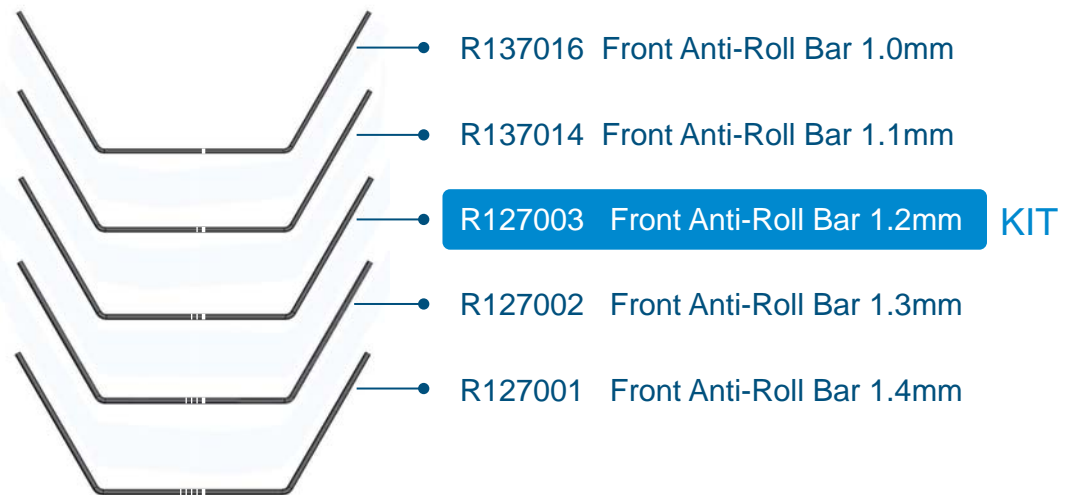
R122026 R12 Upper Deck Screw-Titanium (3)
R138020 A10 Upper Deck 2.0mm

 R806001
3x6x2.5mm Flange
Ball Bearing (2)

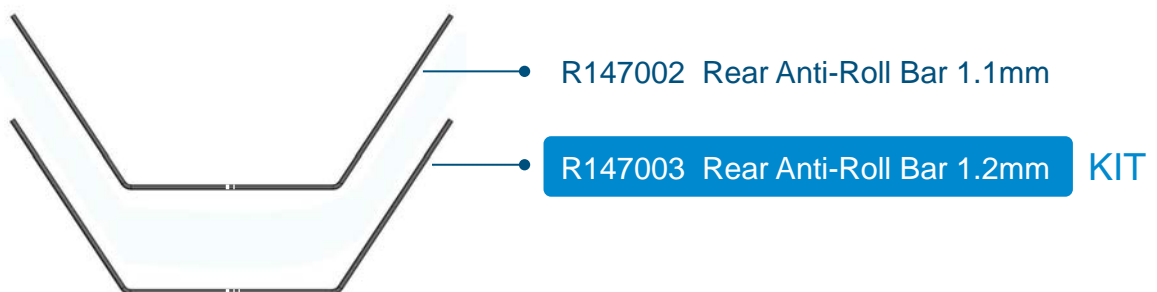
1:1 Scale



FRONT ANTI-ROLL BAR / 前防傾桿



REAR ANTI-ROLL BAR / 後防傾桿



R113001 Anti-Roll Bar Holder (2)
R127003 R12 Front Anti-Roll Bar 1.2mm

R147003 A10-25 Rear Anti-Roll Bar 1.2mm
R806001 3x6x2.5 Flange Ball Bearing (2)

☉ R105401
3x3mm Set Screw (10)

1:1 Scale

IN BAG 04



x4

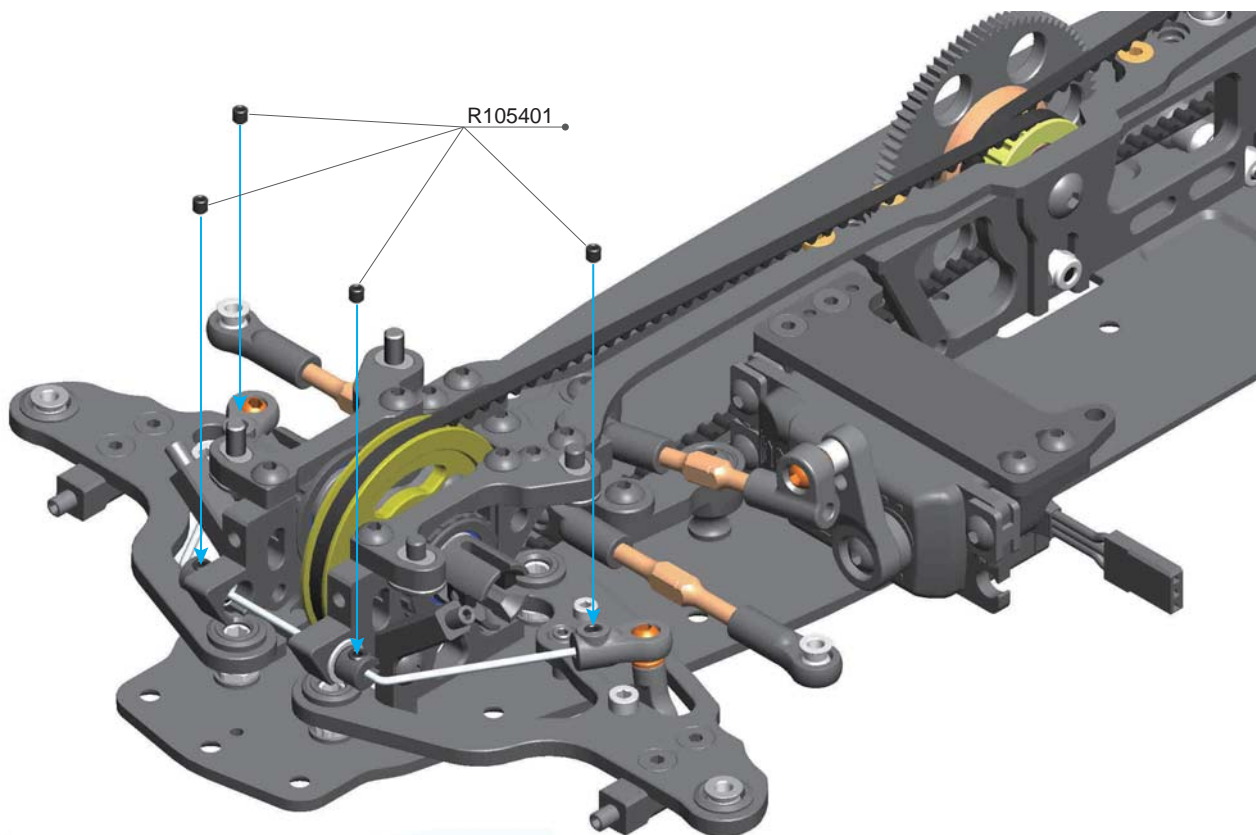
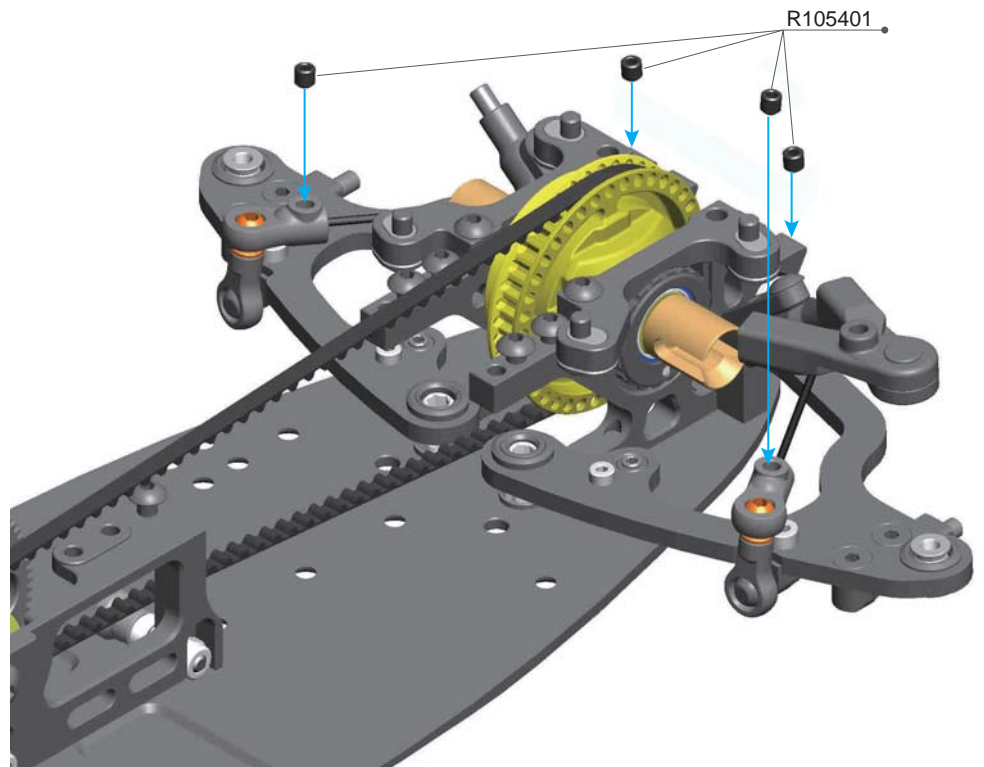


R102100
(Short)



x4

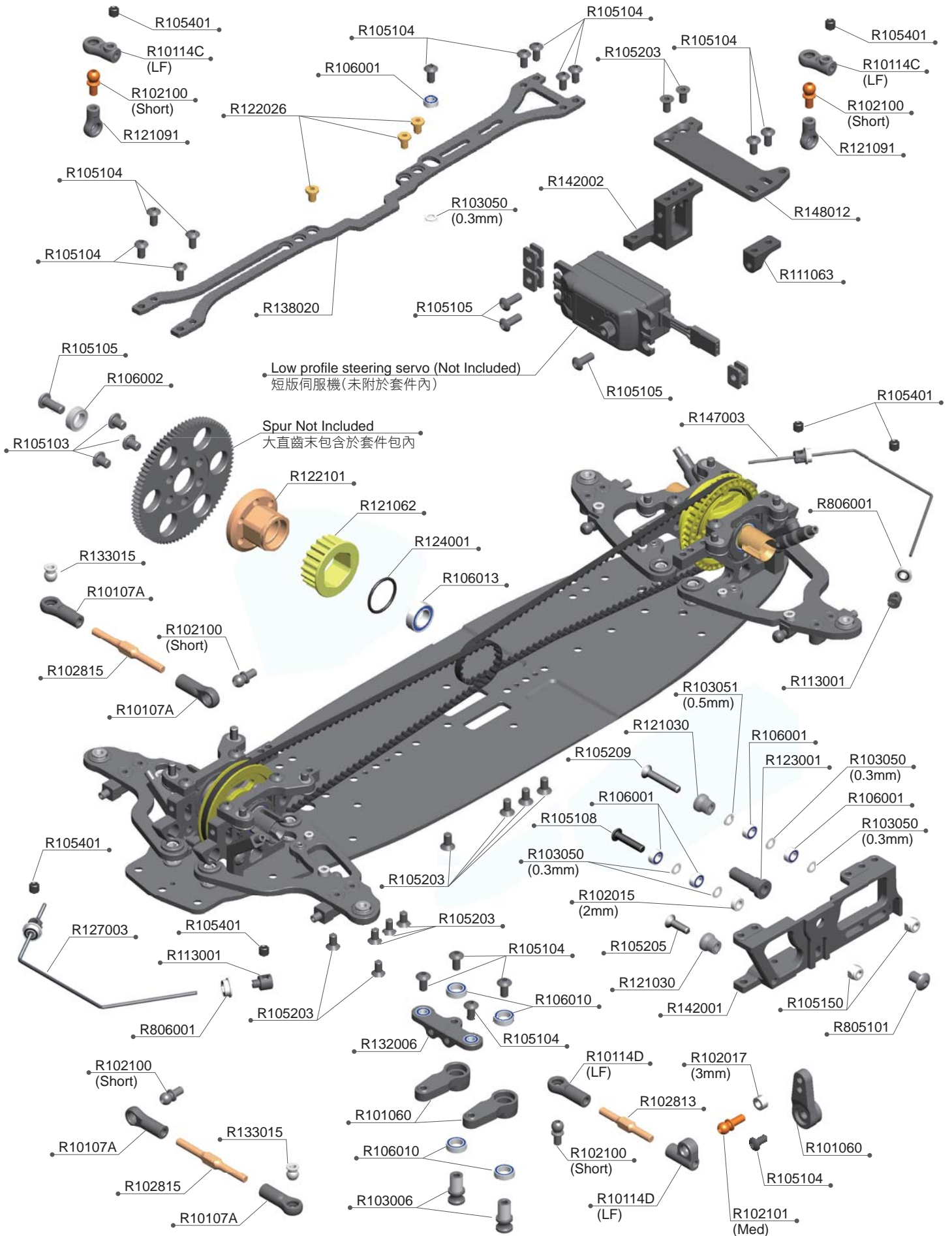
R121091



R10114C Anti Roll Bar Joint 4pcs (LF)
R102100 Alu 4.9mm Ball End Short(4pcs)

R105401 3x3mm Set Screw (10)
R121091 Ball End 4.9mm Ex-Short (4)



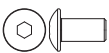

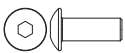

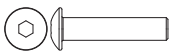



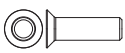

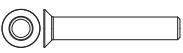






A10-25 BAG 03 PARTS EXPLODED VIEW



A10-25 BAG 03 PARTS LIST

R101060	Servo Horn Dual steering arm	R106002	5x8x2.5mm Ball Bearing /Metal Seal (4)
R10107A	Ball Joint 4.9mm Open (6pcs)	R106010	5x8x2.5mm Ball Bearing (4pcs)
R10114C	Anti Roll Bar Joint 4pcs (LF)	R106013	6x10x3 Ball Bearing (2)
R10114D	Steering Rod Ball Joint Set (LF)	R111063	R11 Servo Mount-Left
R102015	3x5.5x2mm Alu Shims(8pcs)	R113001	Anti-Roll Bar Holder (2)
R102017	3X5.5X3mm Alu Shims(4pcs)	R121030	R12 Eccentric Hub (4)
R102100	Alu 4.9mm Ball End Short(4pcs)	R121062	R12 Kevlar Center Pulley 20T
R102101	Alu 4.9mm Ball End Med(4pcs)	R121091	Ball End 4.9mm Ex-Short (4)
R102813	Turnbuckle 3x28mm ALU-7075 (2pcs)	R122026	R12 Upper Deck Screw-Titanium (3)
R102815	Turnbuckle 3x37mm ALU-7075 (2pcs)	R122101	R12 Center Pulley Hub-Alu
R103006	Steering Shaft(2pcs)	R123001	R12 Spur Shaft
R103050	3x5x0.3mm Shims (10)	R124001	10x1 O'ring (4)
R103051	3x5x0.5mm Shims (10)	R127003	R12 Front Anti-Roll Bar 1.2mm
R105103	3x4 Round Screw (10)	R132006	Steering Plate 8.5-V2
R105104	3x6 Round Screw (10)	R133015	Ball Head 4.9mm +0.5 (4)
R105105	3x8 Round Screw (10)	R138020	A10 Upper Deck 2.0mm
R105108	3x14 Round Screw (10)	R142001	A10-25 Motor Mount
R105150	3mm Nylon Nut (10)	R142002	A10-25 Servo Mount-Alu
R105203	3x6mm Flat Screw (10)	R147003	A10-25 Rear Anti-Roll Bar 1.2mm
R105205	3x10mm Flat Screw (10)	R148012	A10-25 Servo Mount Plate
R105209	3x18mm Flat Screw (10)	R805101	4x6 Round Screw (10)
R105401	3x3mm Set Screw (10)	R806001	3x6x2.5 Flange Ball Bearing (2)
R106001	3x6x2.5mm Ball Bearing (2)		

1:1 SCALE

	R105103 3x4 Round Screw (10)		R102015 3x5.5x2mm Alu Shims (8)
	R105104 3x6 Round Screw (10)		R102017 3x5.5x3mm Alu Shims (4)
	R105105 3x8 Round Screw (10)		R103050 3x5x0.3mm Shims (10)
	R105108 3x14 Round Screw (10)		R103051 3x5x0.5mm Shims (10)
	R105203 3x6mm Flat Screw (10)		R106001 3x6x2.5mm Ball Bearing (2)
	R105205 3x10mm Flat Screw (10)		R106002 5x8x2.5mm Ball Bearing /Metal Seal (4)
	R105209 3x18mm Flat Screw (10)		R106010 5x8x2.5mm Ball Bearing (4)
	R805101 4x6 Round Screw (10)		R106013 6x10x3mm Ball Bearing (2)
	R105401 3x3mm Set Screw (10)		R806001 3x6x2.5mm Flange Ball Bearing (2)
	R105150 3mm Nylon Nut (10)		

FRONT STEERING BLOCK / 前方轉向組合說明

BAG 04



R106012
Low Friction Ball Bearing
5x10x4 (4)



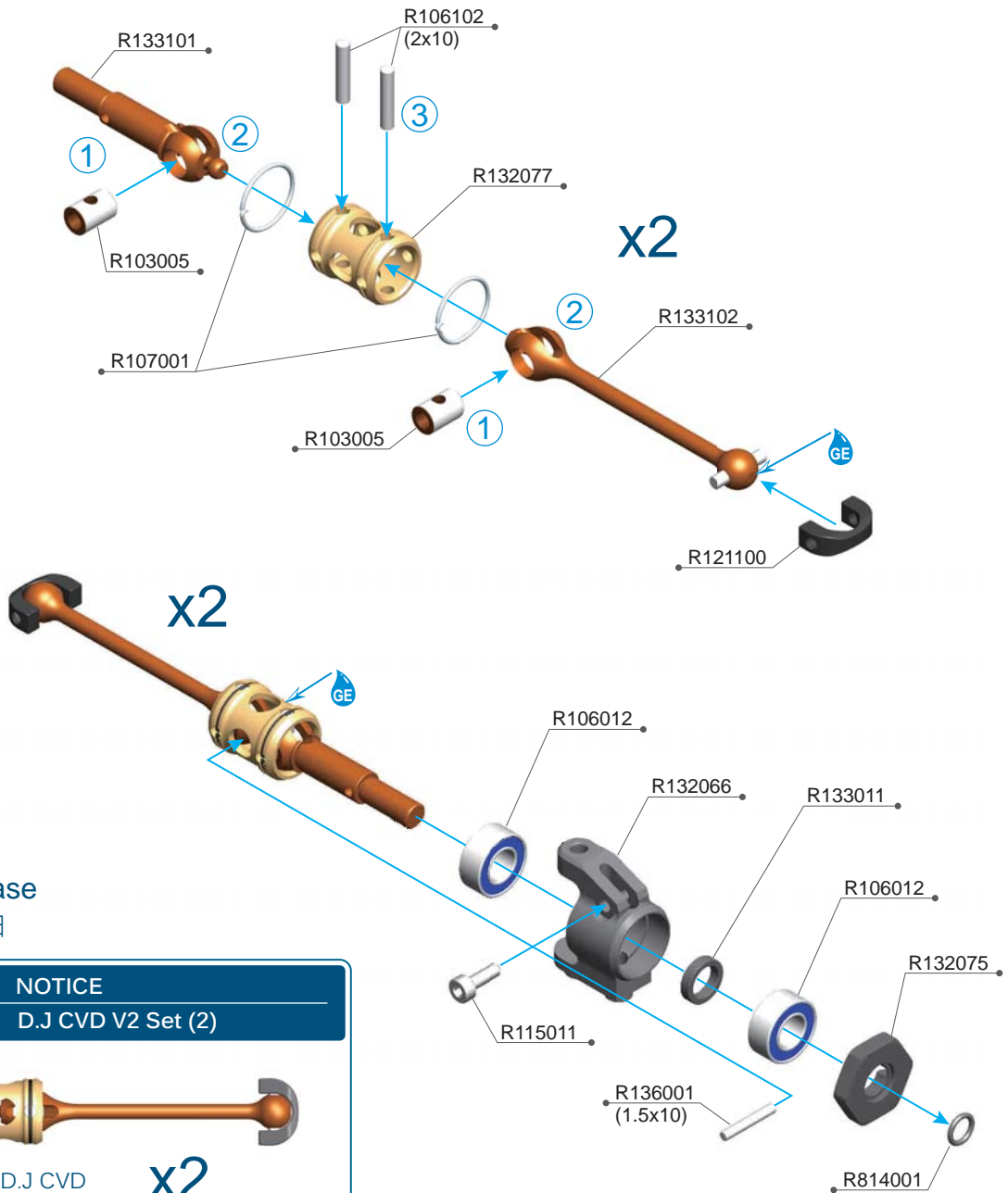
R106102
2x10mm Pin (10)

R136001
1.5x10 Pin (10)



R115011
2x6mm Cap Screw (10)

1:1 Scale



=Apply Grease
=使用潤滑油

NOTICE

R149001 D.J CVD V2 Set (2)



Front D.J CVD

x2

R103005 CVD Insert(2pcs)
R106012 Low Friction Ball Bearing 5x10x4 (4pcs)
R106102 2x10mm Pin (10pcs)
R107001 CVD G-Clip(8pcs)
R115011 2x6mm Cap Screw (10)
R121100 C Cap V2 (16pcs)
R132066 A10 Steering Block-Alu

R132075 Hex Hub V2 (2)
R132077 D.J CVD Joint V2-Alu (2)
R133011 5x7x1.7 Steel Ring (2)
R133101 D.J CVD Wheel Shaft V2
R133102 D.J CVD Shaft V2 (2)
R136001 1.5x10 Pin (10)
R814001 2x1.5 O'ring (6)

FRONT STEERING BLOCK / 前方轉向組合說明

BAG 04

R102017
3X5.5X3mm Alu Shims(4)

R812121
3x7x2mm Alu Shims (8)

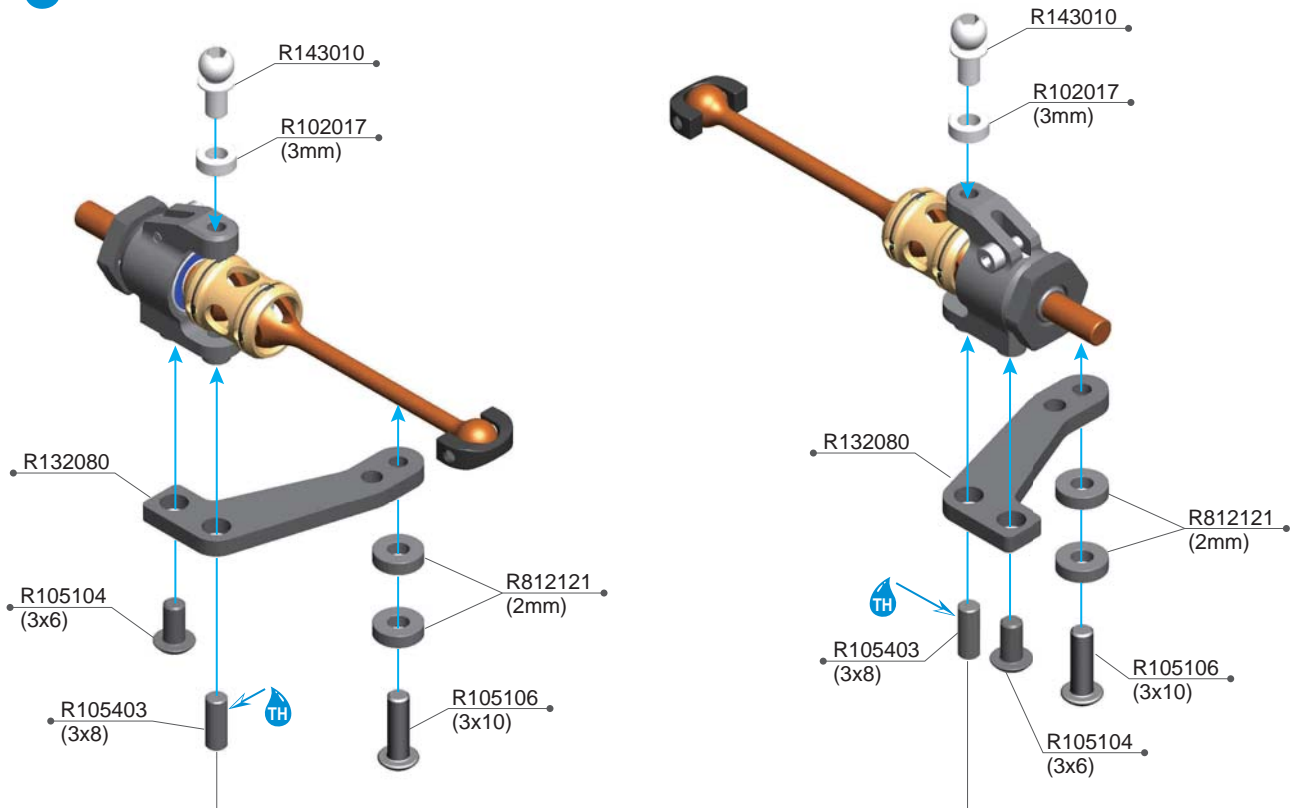
R105104
3x6 Round Screw (10)

R105106
3x10 Round Screw (10)

R105403
3x8mm Set Screw (10)

1:1 Scale

TH =Apply Thread Lock Adhesive / 使用螺絲防鬆膠



NOTICE

Please apply thread lock adhesive (TiTAN #20201) on the 3X8 set screw in this area. It will secure the screw with the aluminum steering block to prevent loose due to vibration.

於3x8無頭螺絲此處使用防鬆膠，建議使用TiTAN #20201 強力防鬆膠，再鎖入鋁合金輪座後可以防止鬆脫。



Please leave 3.5mm length here.
請在此保留3.5mm 的長度。

R102017 3X5.5X3mm Alu Shims(4pcs)
R105104 3x6 Round Screw (10)
R105106 3x10 Round Screw (10)
R105403 3x8mm Set Screw (10)

R132080 Steering Plate-Alu
R143010 Titanium 4.85x5mm Ball End (2)
R812121 3x7x2mm Alu Shims (8)

REAR STEERING BLOCK / 後方轉向組合說明

BAG 04



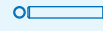
R133011
5x7x1.7mm Shims (2)



R106012
Low Friction Ball Bearing
5x10x4 (4)



R106102
Ø2x10 Pin (10)

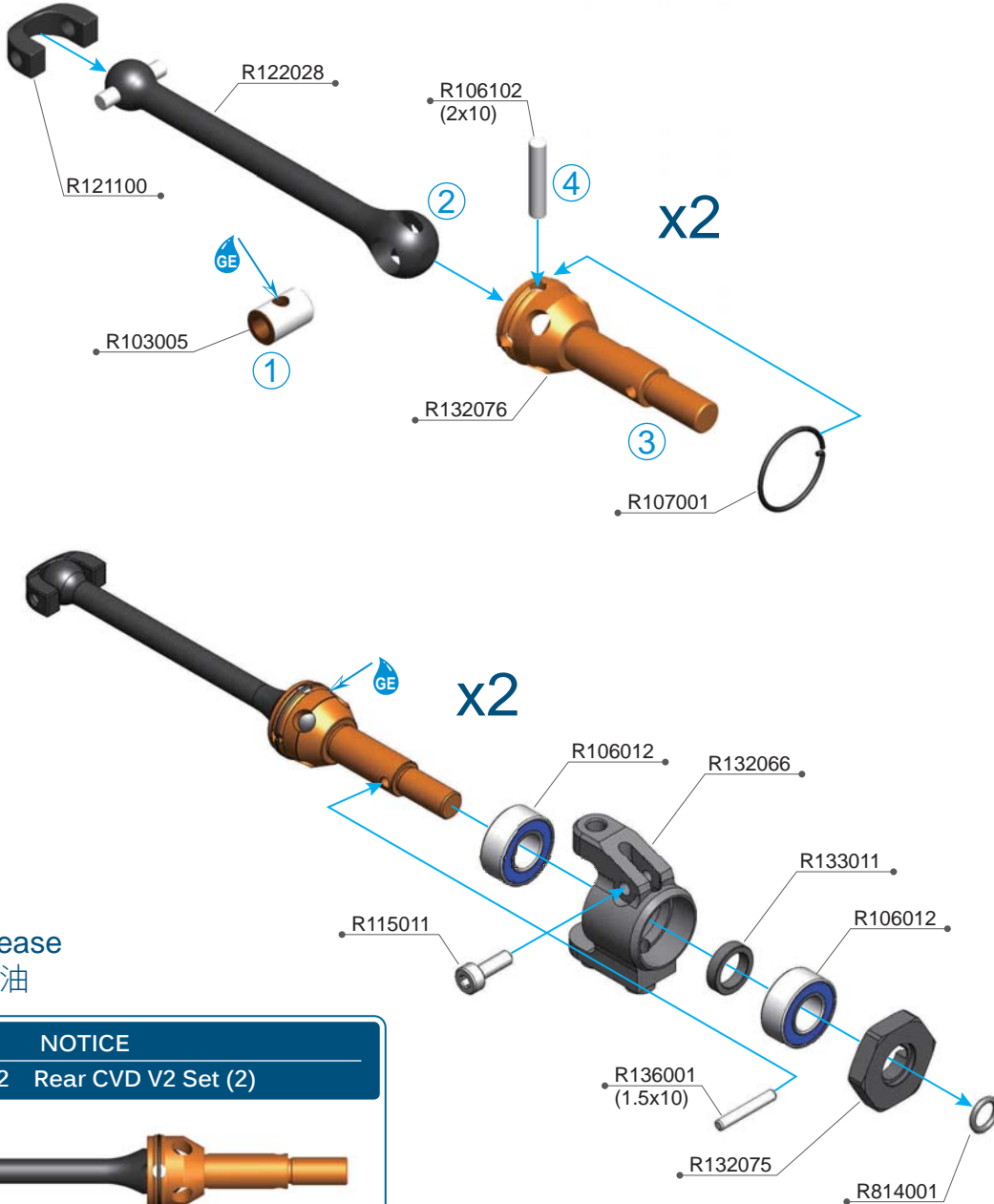


R136001
Ø1.5x10 Pin (10)



R115011
2x6mm Cap Screw (10)

1:1 Scale



=Apply Grease
=使用潤滑油

NOTICE

R149002 Rear CVD V2 Set (2)



Rear CVD **x2**

R103005	CVD Insert(2pcs)	R132066	A10 Steering Block-Alu
R106012	Low Friction Ball Bearing 5x10x4 (4pcs)	R132075	Hex Hub V2 (2)
R106102	2x10mm Pin (10pcs)	R132076	CVD Wheel Axle V2 (2)
R107001	CVD G-Clip(8pcs)	R133011	5x7x1.7 Steel Ring (2)
R115011	2x6mm Cap Screw (10)	R136001	1.5x10 Pin (10)
R121100	C Cap V2 (16pcs)	R814001	2x1.5 O'ring (6)
R122028	CVD-Alu 44mm		

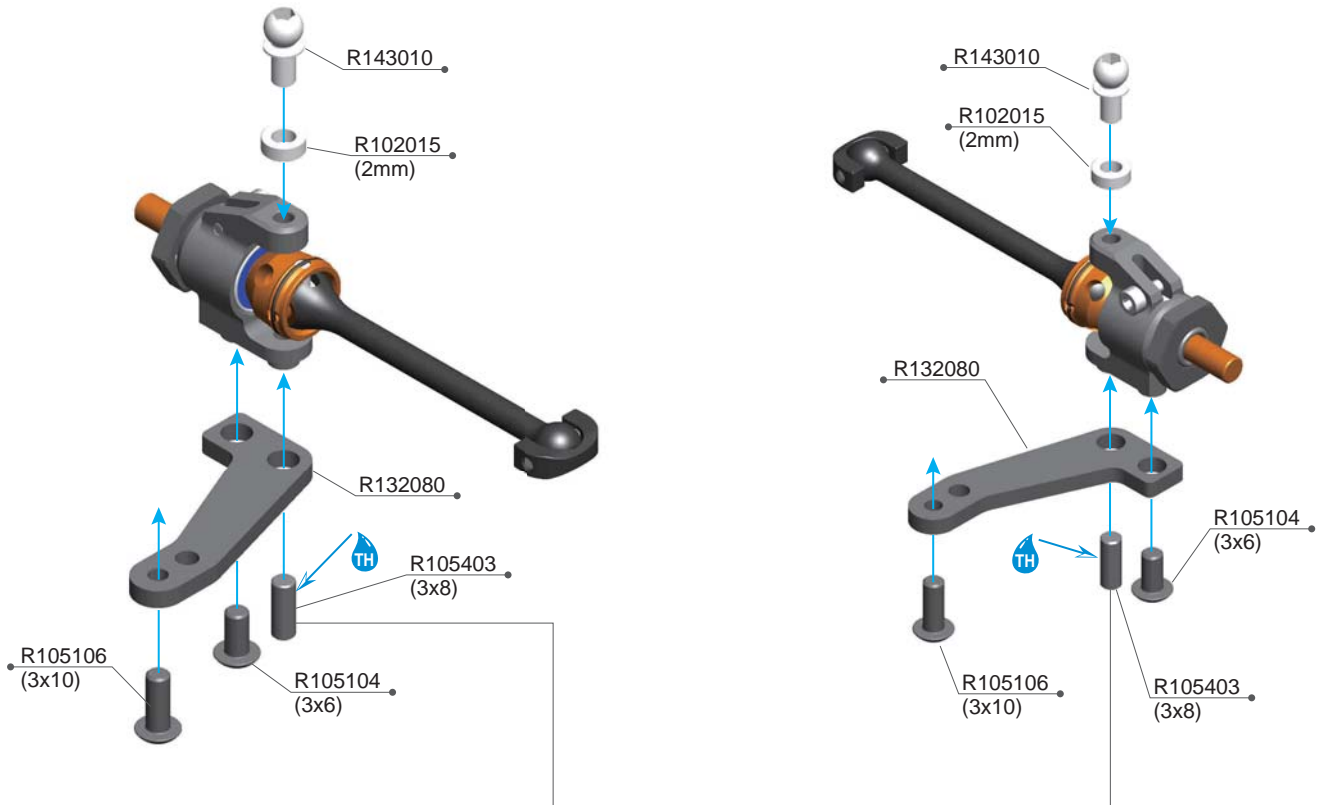
REAR STEERING BLOCK / 後方轉向組合說明

BAG 04

- 
R102015
 3x5.5x2mm Alu Shims (8)
- 
R105104
 3x6 Round Screw (10)
- 
R105106
 3x10 Round Screw (10)
- 
R105403
 3x8mm Set Screw (10)

1:1 Scale

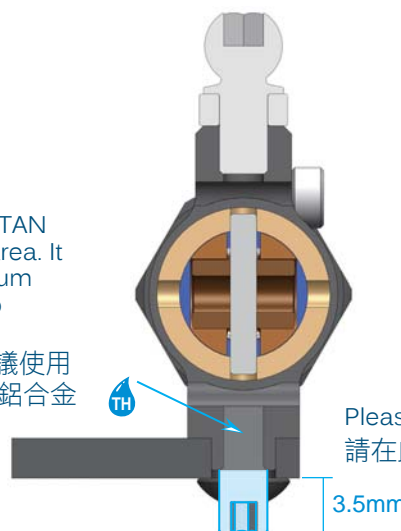
 =Apply Thread Lock Adhesive / 使用螺絲防鬆膠



NOTICE

Please apply thread lock adhesive (TiTAN #20201) on the 3X8 set screw in this area. It will secure the screw with the aluminum steering block to prevent loose due to vibration.

於3x8無頭螺絲此處使用防鬆膠，建議使用TiTAN #20201 強力防鬆膠，再鎖入鋁合金輪座後可以防止鬆脫。



Please leave 3.5mm length here.
請在此保留3.5mm 的長度。

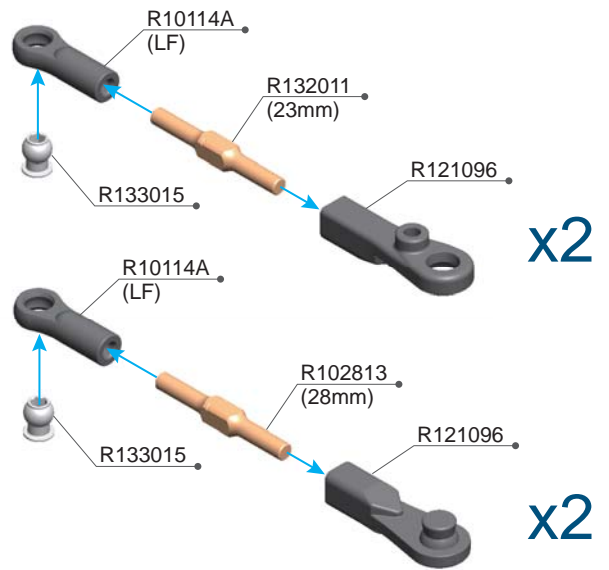
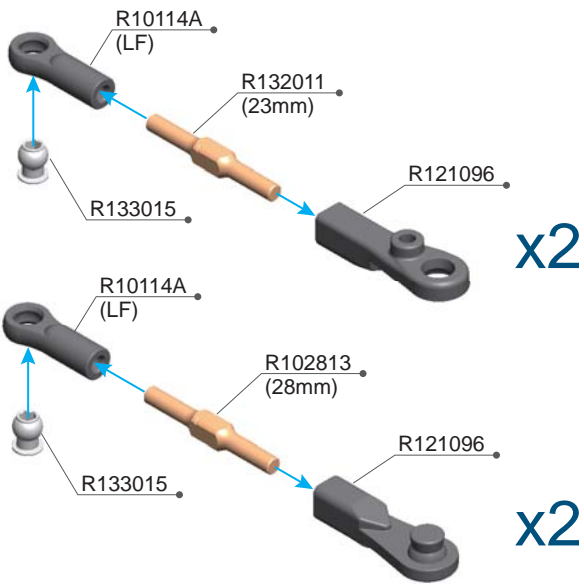
- R102015 3x5.5x2mm Alu Shims(8pcs)
- R105104 3x6 Round Screw (10)
- R105106 3x10 Round Screw (10)

- R105403 3x8mm Set Screw (10)
- R132080 Steering Plate-Alu
- R143010 Titanium 4.85x5mm Ball End (2)

FRONT / 前連桿

REAR / 後連桿

BAG 04

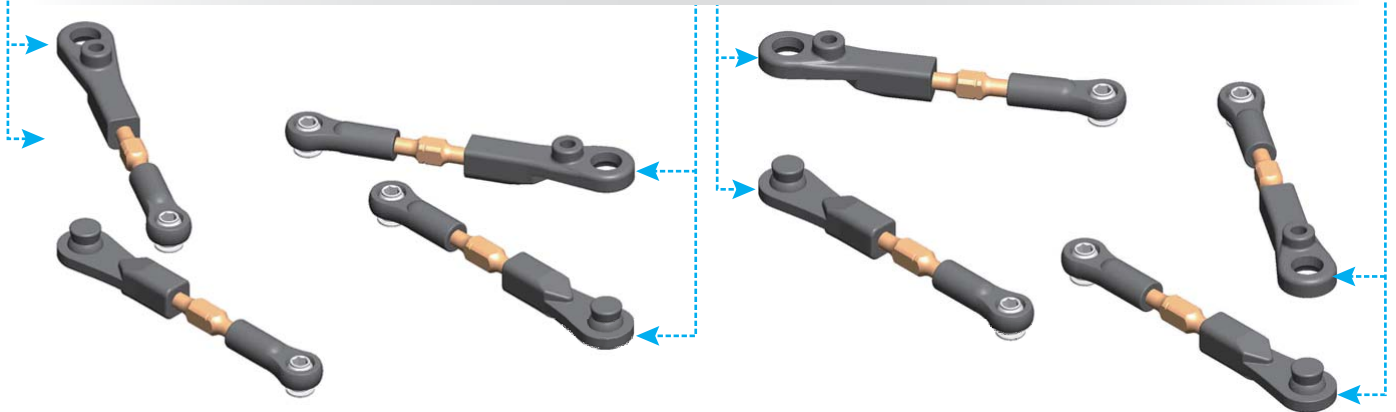


NOTICE

FRONT / 前連桿

REAR / 後連桿

Press top and bottom ball ends together with even pressure / 請上下平均壓入來組合此球頭

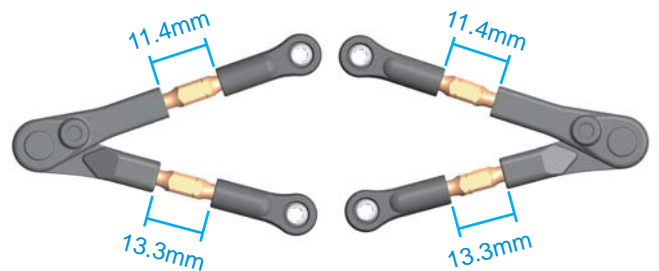
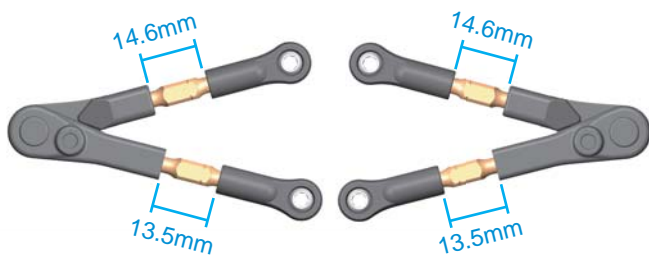


FRONT END / 車頭方向

FRONT / 前連桿

Initial Setup / 起始設定

REAR / 後連桿



R10114A Ball Joint 4.9mm Open 6pcs (LF)
 R102813 Turnbuckle 3x28mm ALU-7075 (2pcs)
 R121096 Upper A-Arm V3 (2)

R132011 Turnbuckle 3x23mm Alu-7075 (2)
 R133015 Ball Head 4.9mm +0.5 (4)



R812120
3x7x1mm Alu Shims (8)



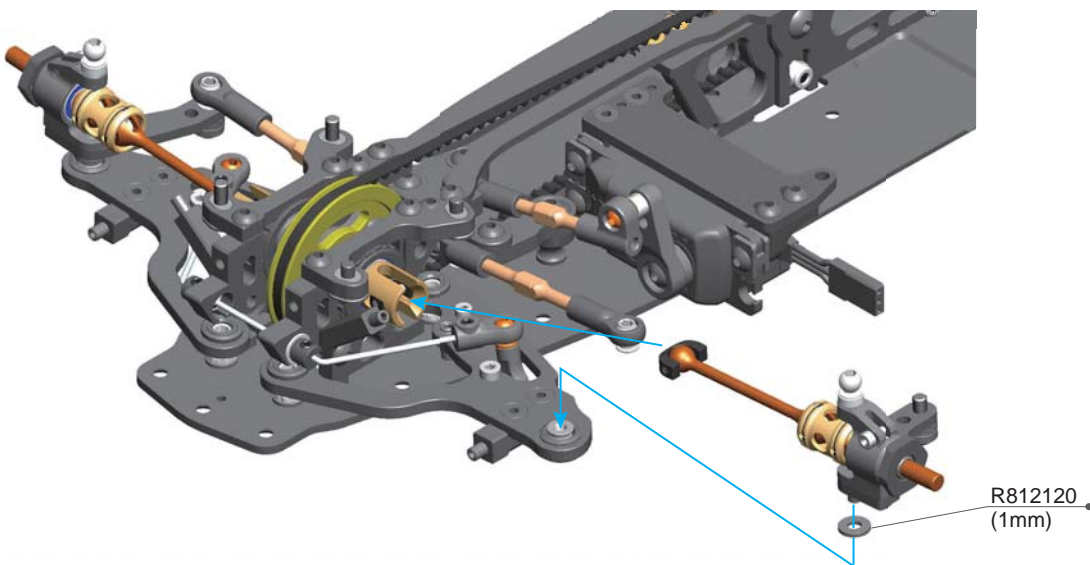
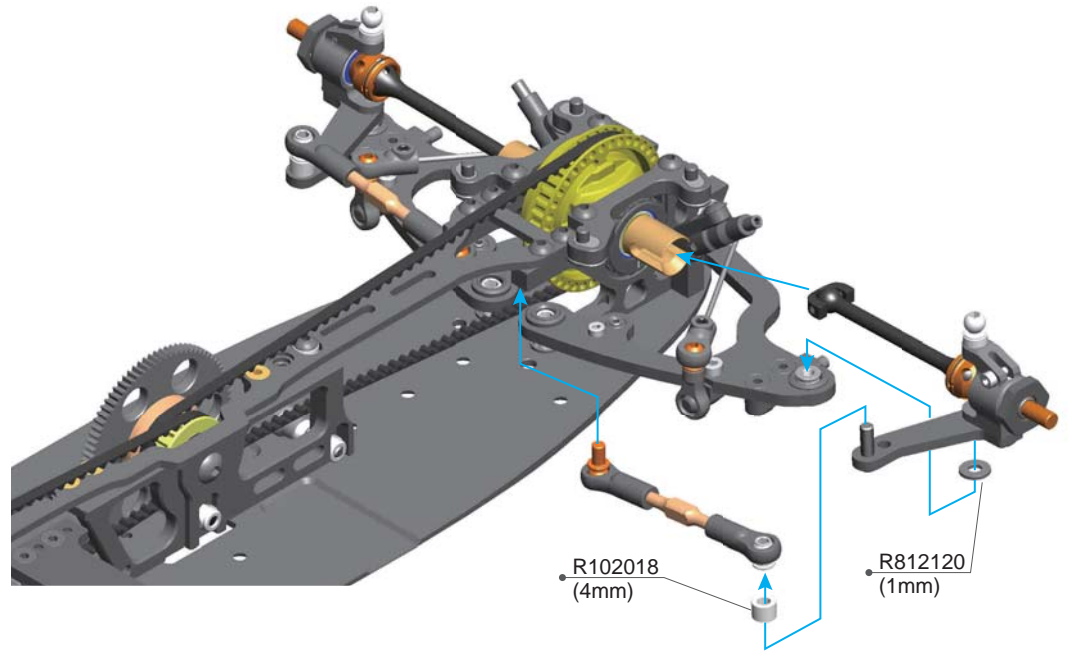
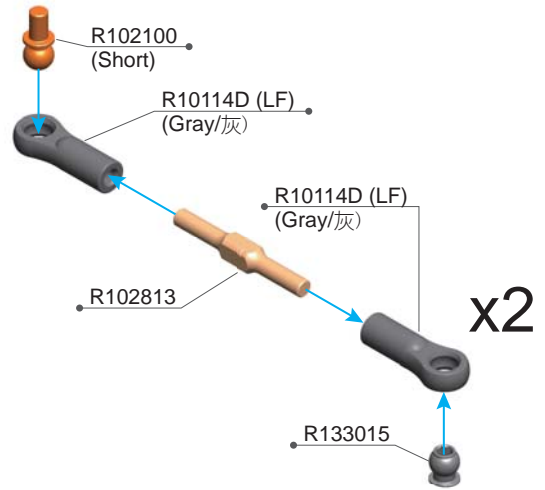
R102018
3x5.5x4mm Alu Shims (4)

1:1 Scale

Rear Toe linkage length / 後連桿長度

Set the Rear Toe linkage length to 17.5mm. With 2mm shims on the Rear Toe steering block, this will provide 3 degree rear toe at normal ride height.

後連桿長度預設為17.5mm，此時後前束角為3度。



R10114A Ball Joint 4.9mm Open 6pcs (LF)
R102018 3x5.5x4mm Alu Shims(4pcs)
R102100 Alu 4.9mm Ball End Short(4pcs)

R102813 Turnbuckle 3x28mm ALU-7075 (2pcs)
R133015 Ball Head 4.9mm +0.5 (4)
R812120 3x7x1mm Alu Shims (8)

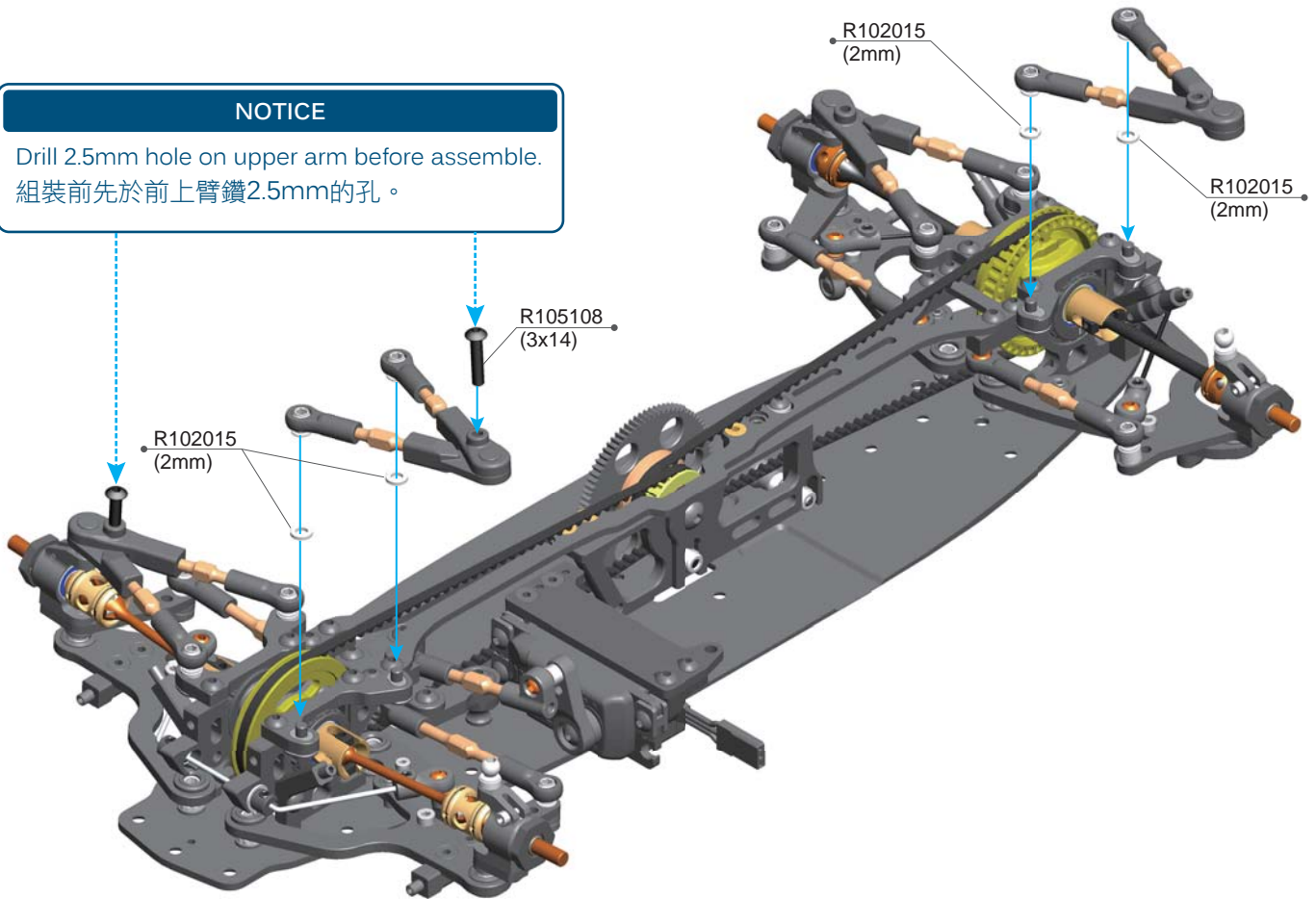
R102015
3X5.5X2mm Alu Shims(8pcs)

R105108
3x14 Round Screw (10)

1:1 Scale

NOTICE

Drill 2.5mm hole on upper arm before assemble.
組裝前先於前上臂鑽2.5mm的孔。



NOTICE

Rear Toe Linkage Setup Instruction / 後連桿設定說明

The rear toe angle can be set up by adjusting the rear toe linkage. Depending on the toe link angle (adjusted by adding/removing shims), the rear toe angle will be different when the rear ride height changes. The rear toe angle will increase 0.5 degree with the default setup using 4mm shims.

後前束角的角度可以用後前束角連桿來調整，後前束角的變化量可以用墊片來做調整，預設是使用4mm墊片，後前束角的變化量是0.5度。

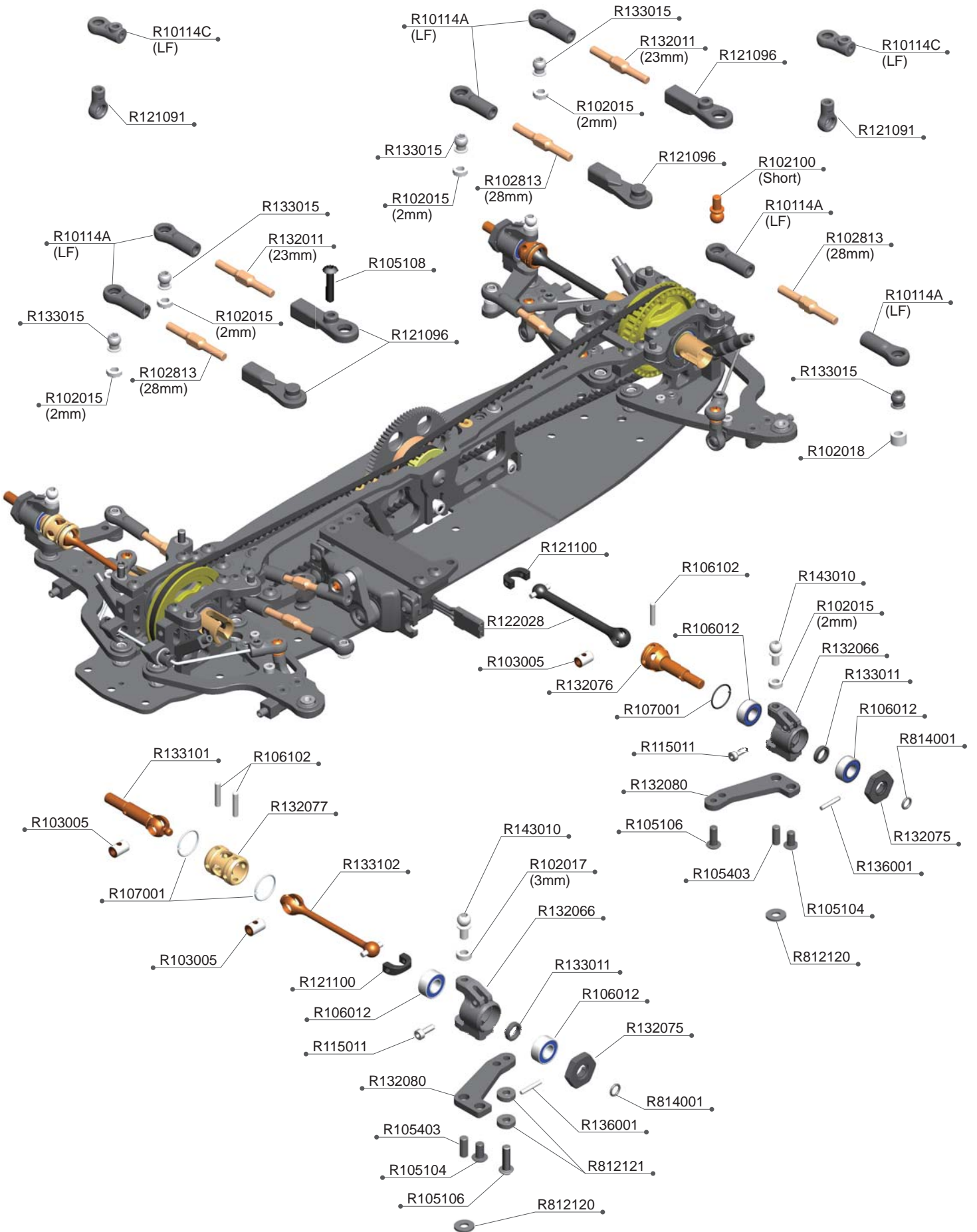
Rear Toe Shim Thickness 後連桿墊片厚度	Toe Angle Increase 後前束角變化量
3mm	0°
4mm	0.5°
5mm	1.0°



R102015 3x5.5x2mm Alu Shims(8pcs)

R105108 3x14 Round Screw (10)



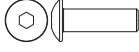











A10-25 BAG 04 PARTS EXPLODED VIEW



A10-25 BAG 04 PARTS LIST

R10114A	Ball Joint 4.9mm Open 6pcs (LF)	R122028	CVD-Alu 44mm
R10114C	Anti Roll Bar Joint 4pcs (LF)	R132011	Turnbuckle 3x23mm Alu-7075 (2)
R102015	3x5.5x2mm Alu Shims(8pcs)	R132066	A10 Steering Block-Alu
R102017	3X5.5X3mm Alu Shims(4pcs)	R132075	Hex Hub V2 (2)
R102018	3x5.5x4mm Alu Shims(4pcs)	R132076	CVD Wheel Axle V2 (2)
R102100	Alu 4.9mm Ball End Short(4pcs)	R132077	D.J CVD Joint V2-Alu (2)
R102813	Turnbuckle 3x28mm ALU-7075 (2pcs)	R132080	Steering Plate-Alu
R103005	CVD Insert(2pcs)	R133011	5x7x1.7 Steel Ring (2)
R105104	3x6 Round Screw (10)	R133015	Ball Head 4.9mm +0.5 (4)
R105106	3x10 Round Screw (10)	R133101	D.J CVD Wheel Shaft V2
R105108	3x14 Round Screw (10)	R133102	D.J CVD Shaft V2
R105403	3x8mm Set Screw (10)	R136001	1.5x10 Pin (10)
R106012	Low Friction Ball Bearing 5x10x4 (4pcs)	R143010	Titanium 4.85x5mm Ball End (2)
R106102	2x10mm Pin (10pcs)	R149001	D.J CVD V2 Set (2)
R107001	CVD G-Clip(8pcs)	R149002	Rear CVD V2 Set (2)
R115011	2x6mm Cap Screw (10)	R812120	3x7x1mm Alu Shims (8)
R121091	Ball End 4.9mm Ex-Short (4)	R812121	3x7x2mm Alu Shims (8)
R121096	Upper A-Arm V3 (2)	R814001	2x1.5 O'ring (6)
R121100	C Cap V2 (16pcs)		

1:1 SCALE

	R105104 3x6 Round Screw (10)		R102015 3x5.5x2mm Alu Shims (8)
	R105106 3x10 Round Screw (10)		R102017 3x5.5x3mm Alu Shims (4)
	R105108 3x14 Round Screw (10)		R102018 3x5.5x4mm Alu Shims (4)
	R105403 3x8mm Set Screw (10)		R133011 5x7x1.7mm Shims (2)
	R106102 Ø2x10 Pin (10)		R812120 3x7x1mm Alu Shims (8)
	R136001 Ø1.5x10 Pin (10)		R812121 3x7x2mm Alu Shims (8)
	R115011 2x6mm Cap Screw (10)		R106012 Low Friction Ball Bearing 5x10x4

Option Parts (Not Included) / 改裝品 (未附於套件內)

R139011

X-Low Shock Shaft -Titanium Coating (4)

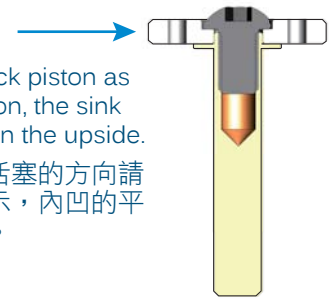
R139011 titanium coated shock shafts reduces friction in the shock assembly, resulting in ultra smooth suspension operation and minimizes shock shaft wear.

鍍鈦的避震器軸心可使避震器作動更順暢並減少軸心的磨損。

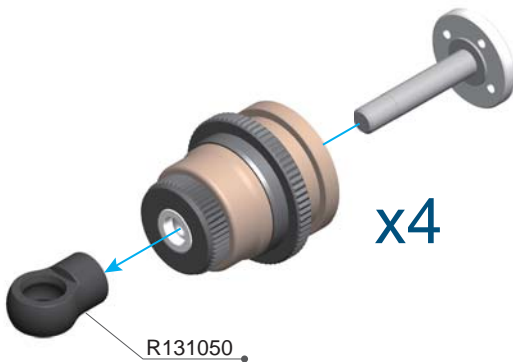
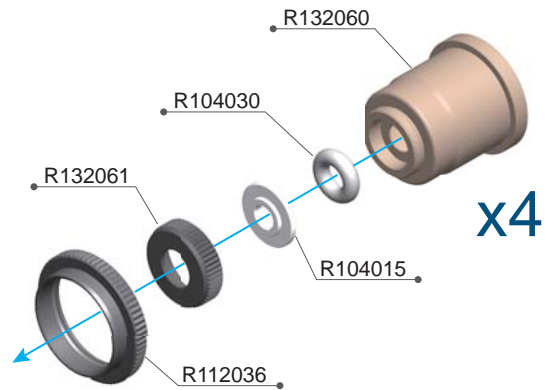
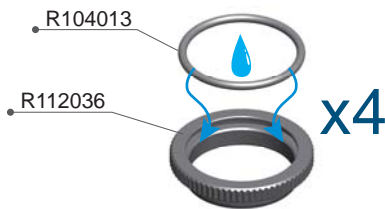
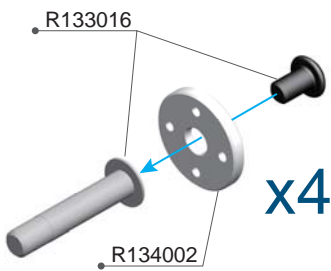


NOTICE

The shock piston as instruction, the sink area is on the upside.
避震器活塞的方向請參考圖示，內凹的平面向上。



Apply shock oil before assembly
請塗抹少許的避震油於O型環上

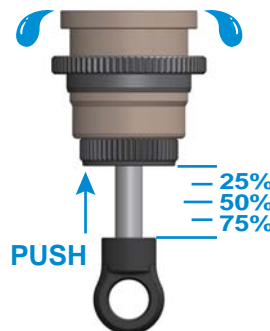
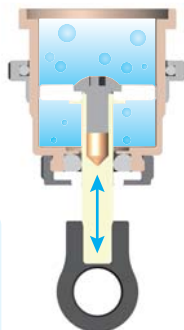


Silicone Oil #350

Fill the shock oil to the top of the shock body
將矽油填滿整個桶身。



Move the shaft up and down to let the air escape from the oil
上下移動活塞來將空氣排出。

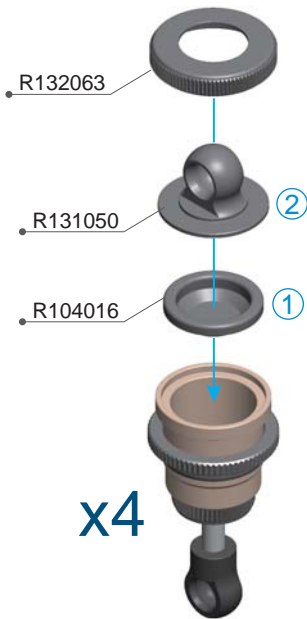


To adjust the rebound amount of the shock, push the shock shaft in to the required level to remove excess oil during assembly.

將活塞回推到設定的回彈位置後，再將氣室放入並將多餘的油排除。

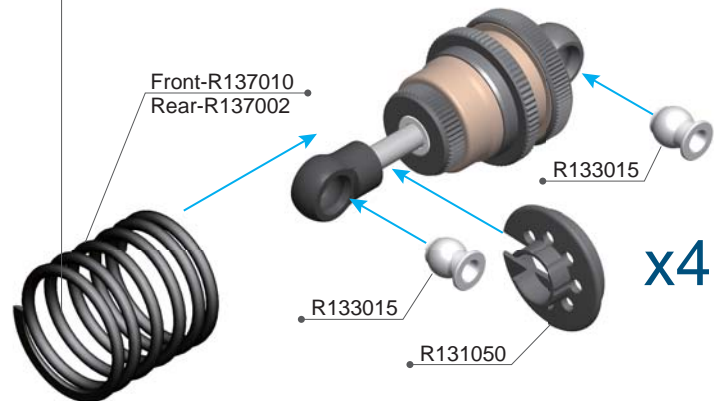
- R104013 O'ring 13x1 (2pcs)
- R104015 Shock Shaft Shim Big Bore (4pcs)
- R104030 O'ring 3x2 (Soft)(4pcs)
- R112036 Shock Adj Nut-Ultra Short (2)
- R131050 X-Low Shock Ball End Set

- R132060 X-Low Shock Body (2)
- R132061 X-Low Shock Low Cap (2)
- R133016 X-Low Shock Shaft (2)
- R134002 X-Low Shock Piston 1.1mm x4 (2)



NOTICE

The A10-25 uses 17mm X-Low springs
 Front spring R137010 X-Low Spring C2.4-C2.7 17mm (White) (2)
 Rear Spring R137002 X-Low Spring C2.6 17mm (Green) (2)
 套件內所附的彈簧為X-Low 避震器專用的長度17mm 彈簧
 前彈簧為R137010 C2.4-C2.7 白色
 後彈簧為R137002 C2.6 綠色



NOTICE

Drill the hole before assemble the ball head
 請於安裝球頭前預先鑽孔



Drill the shock cap here to help provide zero rebound and softer dampening (optional setting).

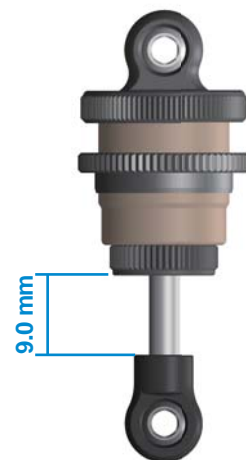
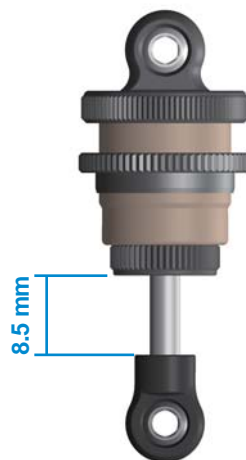
上球頭有預留鑽孔的記號，可選擇是否打通，在鑽孔打通後可減少氣室回彈的力道。

NOTICE

Set the shock initial length as below / 請將避震器的起始長度如圖示設置

Front / 前

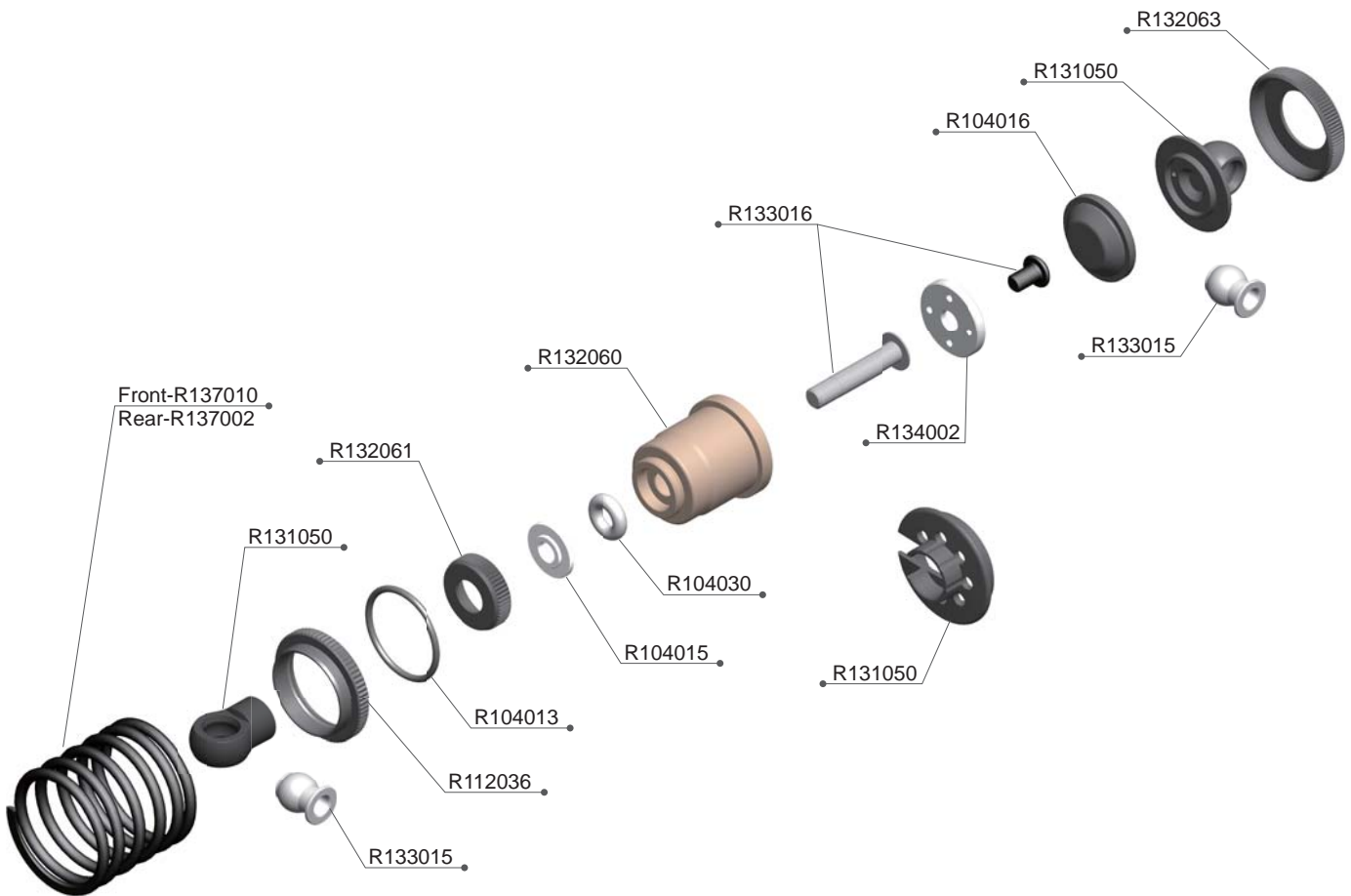
Rear / 後



R104016 Shock Membrane Big Bore (4pcs)
 R131050 X-Low Shock Ball End Set
 R132063 X-Low Shock Cap (2)

R133015 Ball Head 4.9mm +0.5 (4)
 R137002 X-Low Spring C2.6 17mm (Green) (2)
 R137010 X-Low Spring C2.4-C2.7 17mm (White) (2)

A10-25 BAG 05 PARTS EXPLODED VIEW



A10-23 BAG 05 PARTS LIST

R104013	O'ring 13x1 (2pcs)	R132063	X-Low Shock Cap (2)
R104015	Shock Shaft Shim Big Bore (4pcs)	R133015	Ball Head 4.9mm +0.5 (4)
R104016	Shock Membrane Big Bore (4pcs)	R133016	X-Low Shock Shaft (2)
R104030	O'ring 3x2 (Soft)(4pcs)	R134002	X-Low Shock Piston 1.1mm x4 (2)
R112036	Shock Adj Nut-Ultra Short (2)	R137002	X-Low Spring C2.6 17mm (Green) (2)
R131050	X-Low Shock Ball End Set	R137010	X-Low Spring C2.4-C2.7 17mm (White) (2)
R132060	X-Low Shock Body (2)	R139010	X-Low Shock Set
R132061	X-Low Shock Low Cap (2)		



R105204
3x8mm Flat Screw (10)

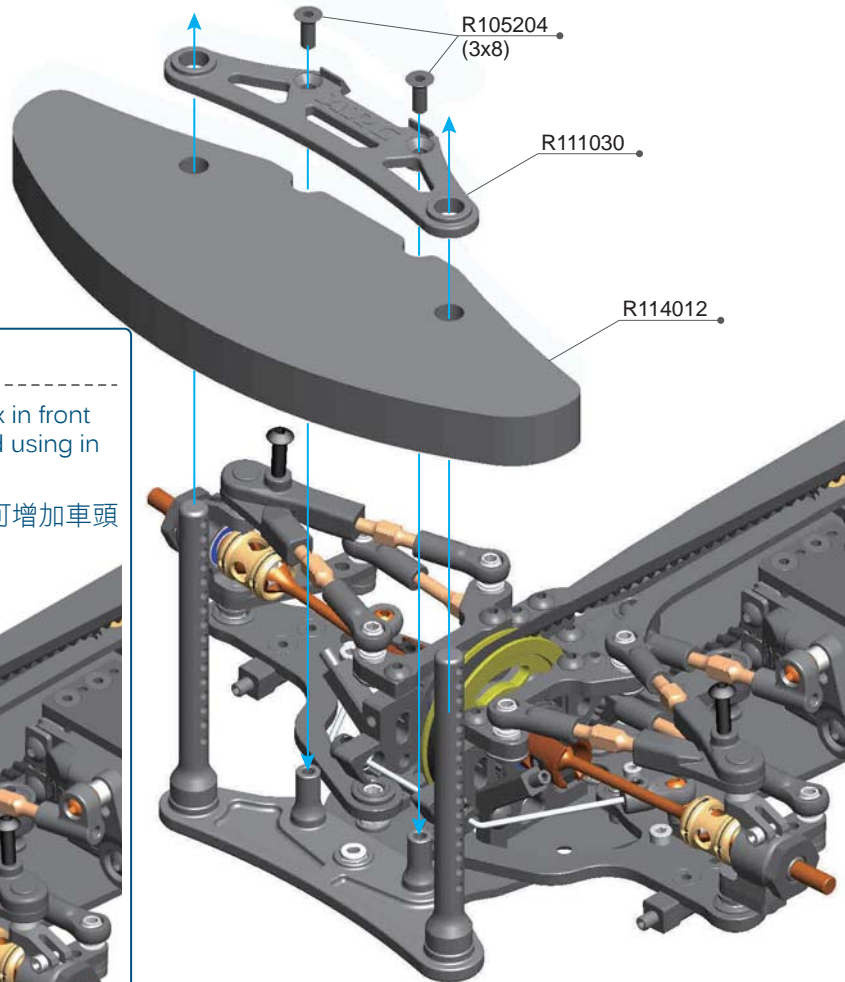
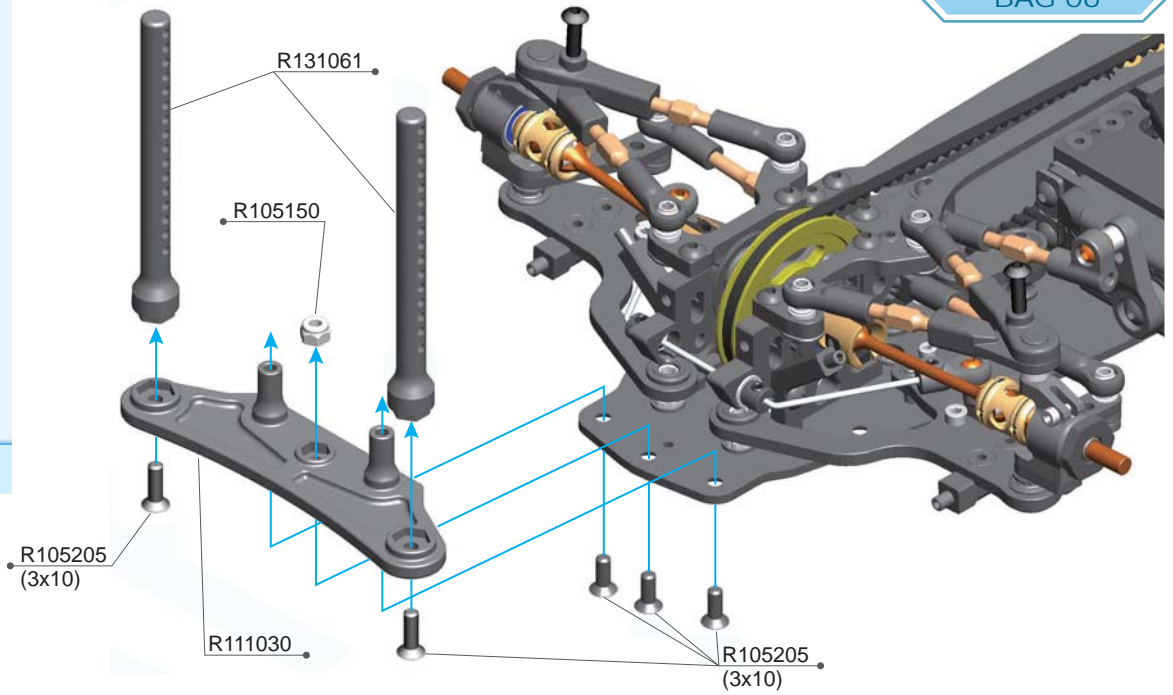


R105205
3x10mm Flat Screw (10)



R105150
3mm Nylon Nut (10)

1:1 Scale

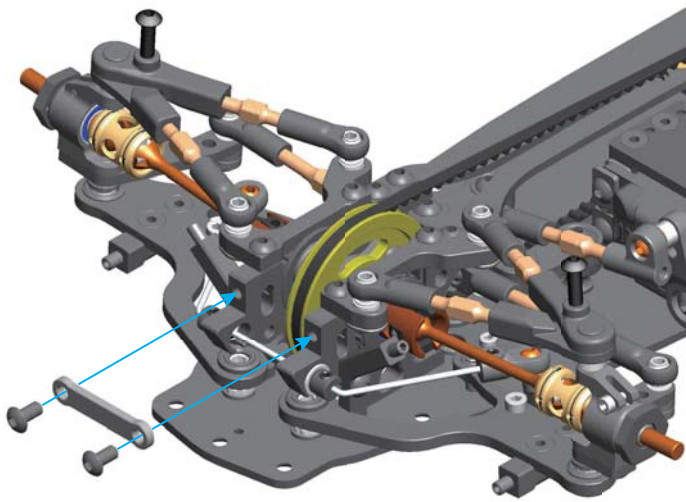


Option Parts (Not Included)
/ 改裝品 (未附於套件內)

R138012 Upper Deck Stiffener

Put R138012 in front bulkhead can reduce the flex in front end and increase steering response, recommend using in low to medium traction track.

使用R138012 補強板可以減少前側板的扭動，可增加車頭轉向的反應，建議用於中，低抓地力的場地。

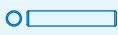


R105150 3mm Nylon Nut (10)
R105204 3x8mm Flat Screw (10)
R105205 3x10mm Flat Screw (10)

R111030 R11 2019 Bumper Set
R114012 R11 2019 Foam Bumper-HARD
R131061 Body Tower Set-Hard

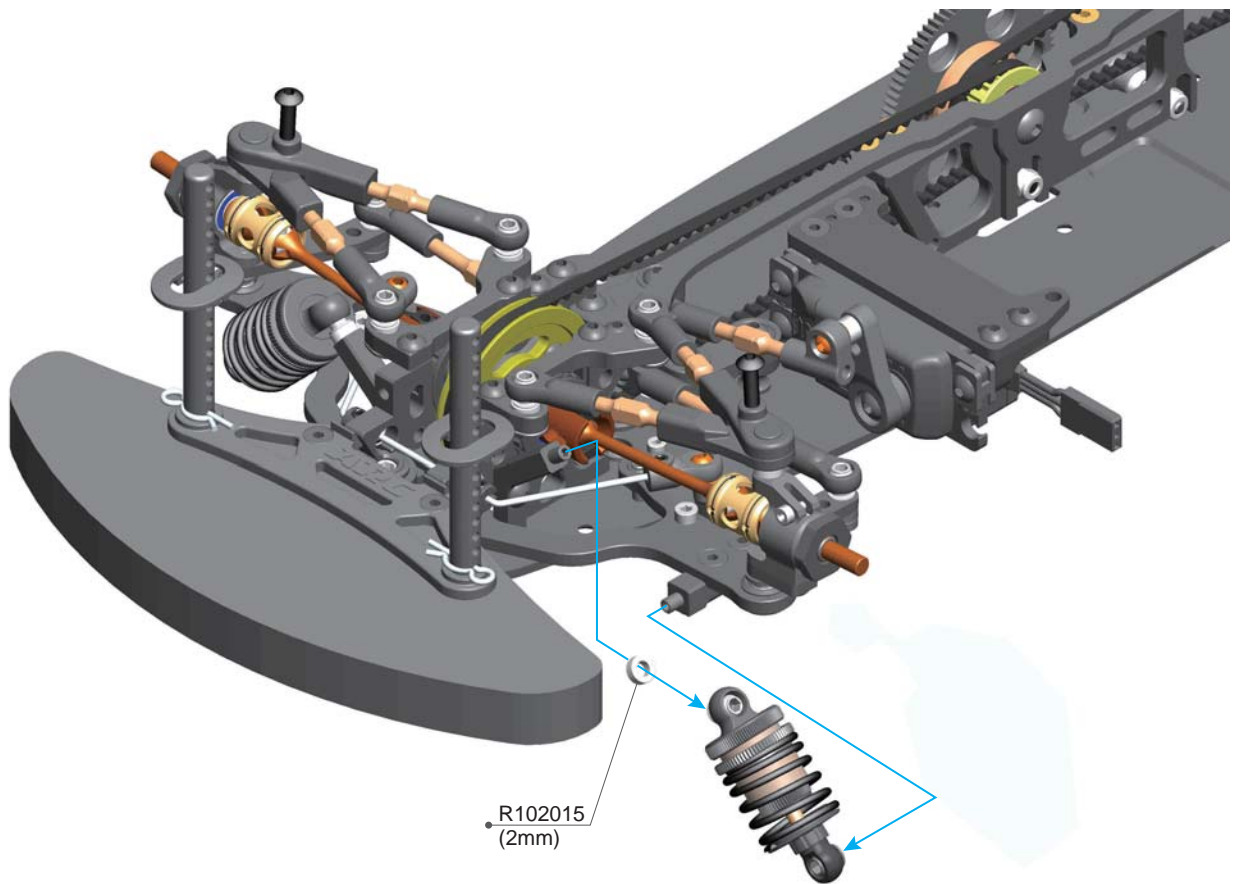
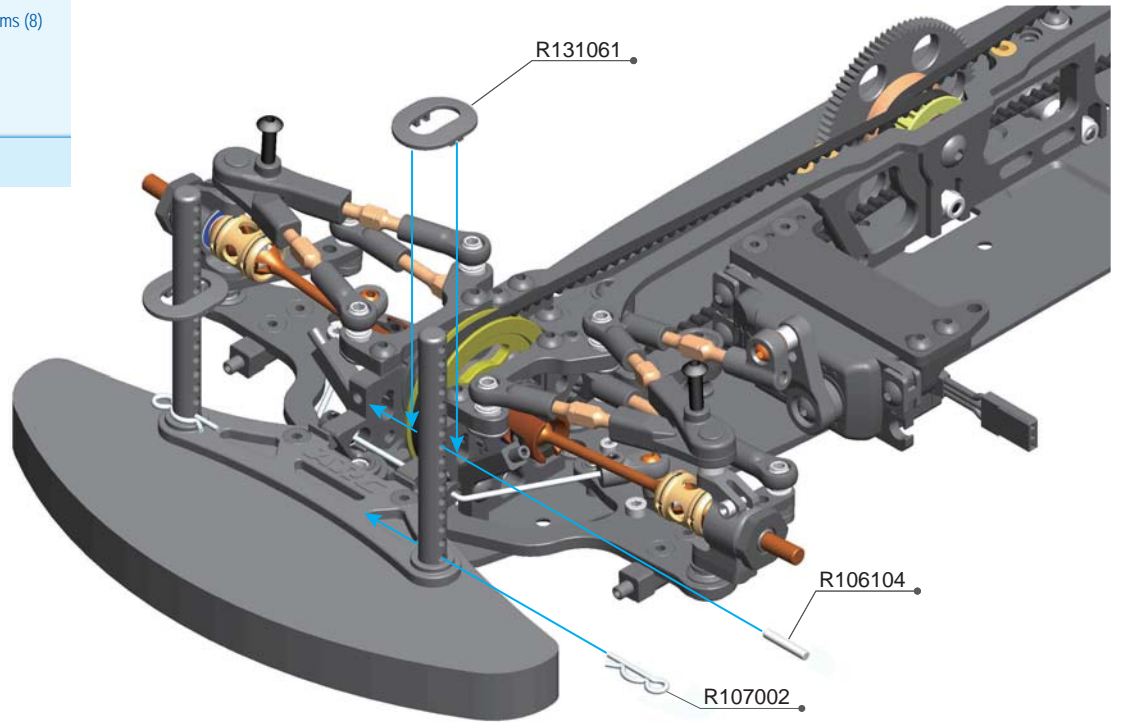


R102015
3x5.5x2mm Alu Shims (8)



R106104
2x11.8mm Pin (10)

1:1 Scale



R102015 3x5.5x2mm Alu Shims(8pcs)
R106104 2x11.8mm Pin (10pcs)

R107002 R-Clip(8pcs)
R131061 Body Tower Set-Hard

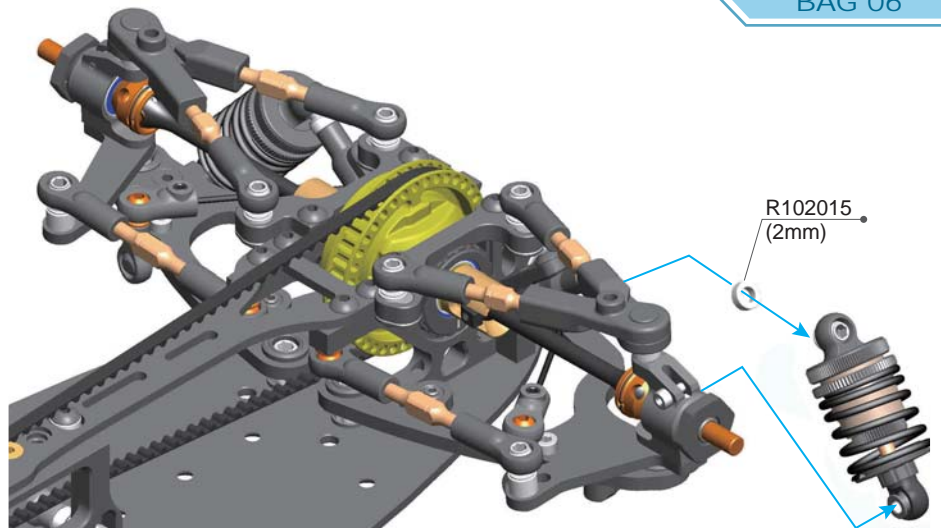
 R102015
3x5.5x2mm Alu Shims (8)

 R105105
3x8 Round Screw (10)

 R105106
3x10 Round Screw (10)

 R106104
Ø2x11.8 Pin (10)

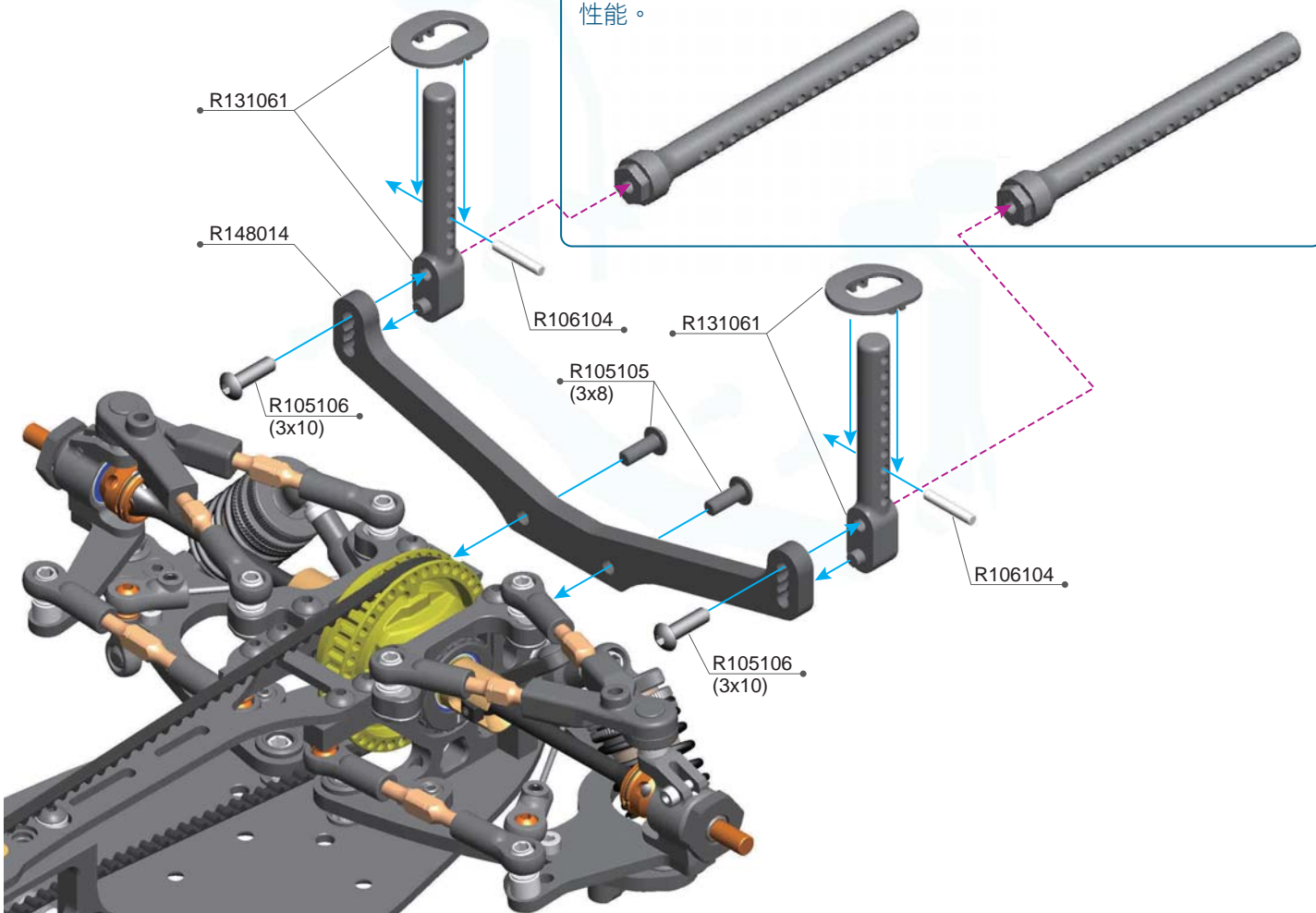
1:1 Scale



HORIZONTAL BODY POST / 水平後車殼柱 (Not Included) / (未附於套件中)

Using front body post in rear can make rear body post into horizontal, in most case it can reduce down force of the body-shell and make different handling.

將前車殼柱鎖到後車殼架可將車殼固定方式改成水平式，在大多數的情況下使用水平車殼柱可以降低車殼的下壓力並改變車子的操控性能。



R102015 3x5.5x2mm Alu Shims(8pcs)
R105105 3x8 Round Screw (10)
R105106 3x10 Round Screw (10)

R106104 2x11.8mm Pin (10pcs)
R131061 Body Tower Set-Hard
R148014 A10-25 Rear Shock Tower



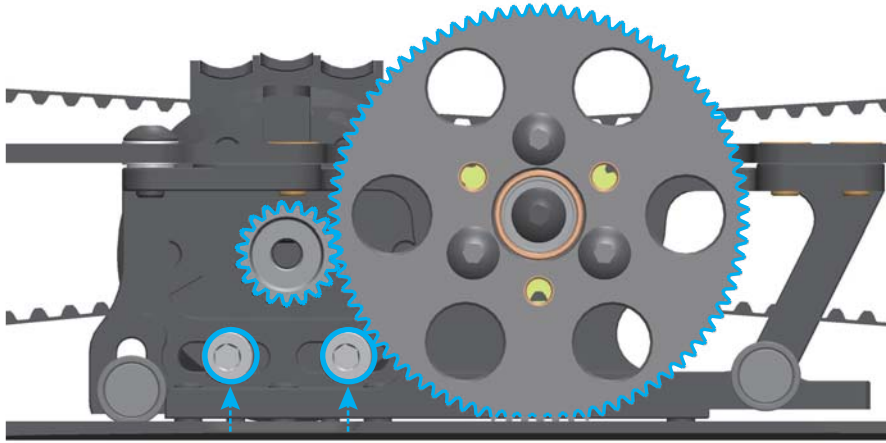
R105300
3x6mm Cap Screw (10)



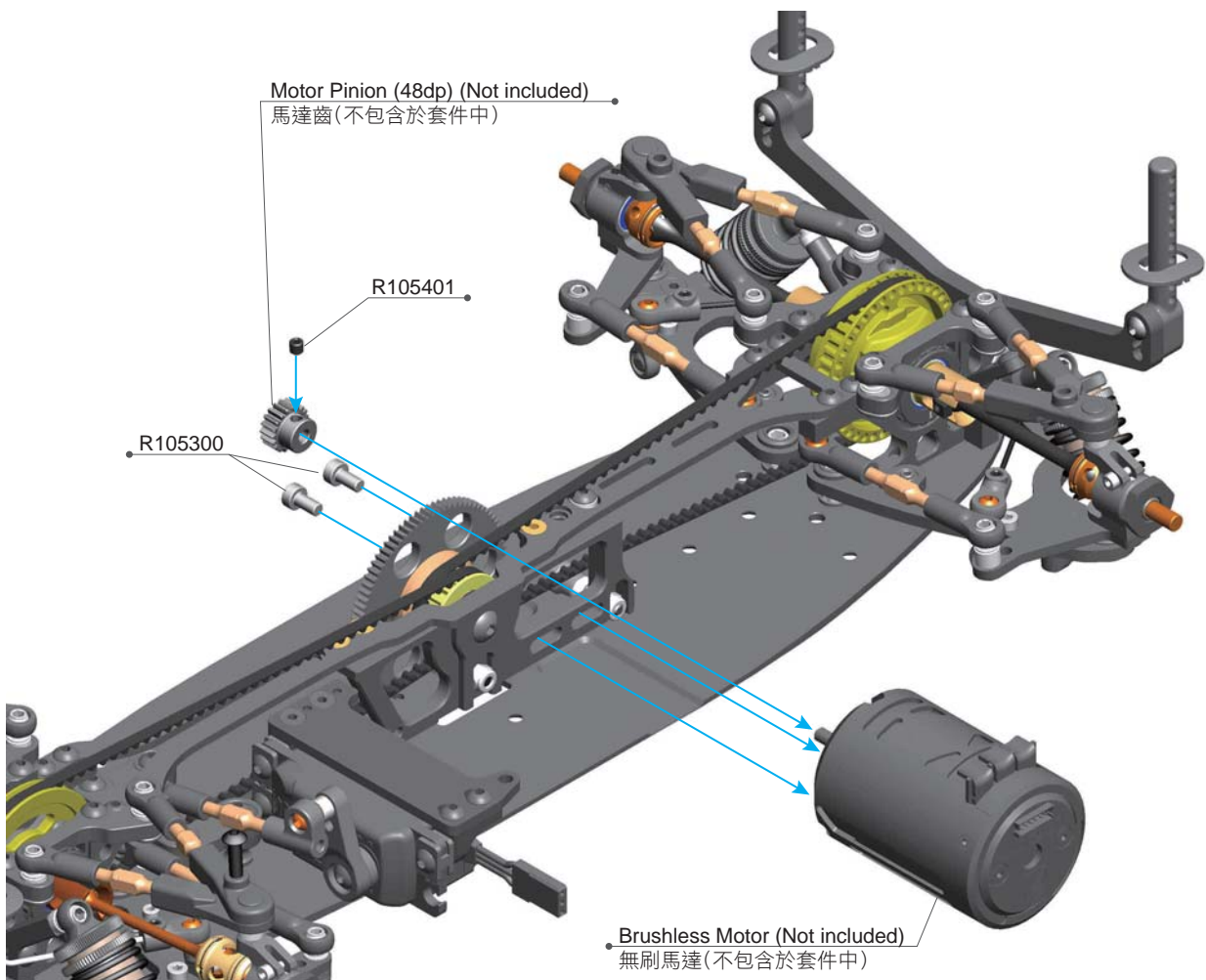
R105401
3x3mm Set Screw (10)

1:1 Scale

NOTICE



Adjust gear mesh from here / 請由此處來調整齒隙



R105300 3x6mm Cap Screw (10)

R105401 3x3mm Set Screw (10)



R102015
3x5.5x2mm Alu Shims (8)



R102017
3X5.5X3mm Alu Shims(4pcs)



R105105
3x8 Round Screw (10)

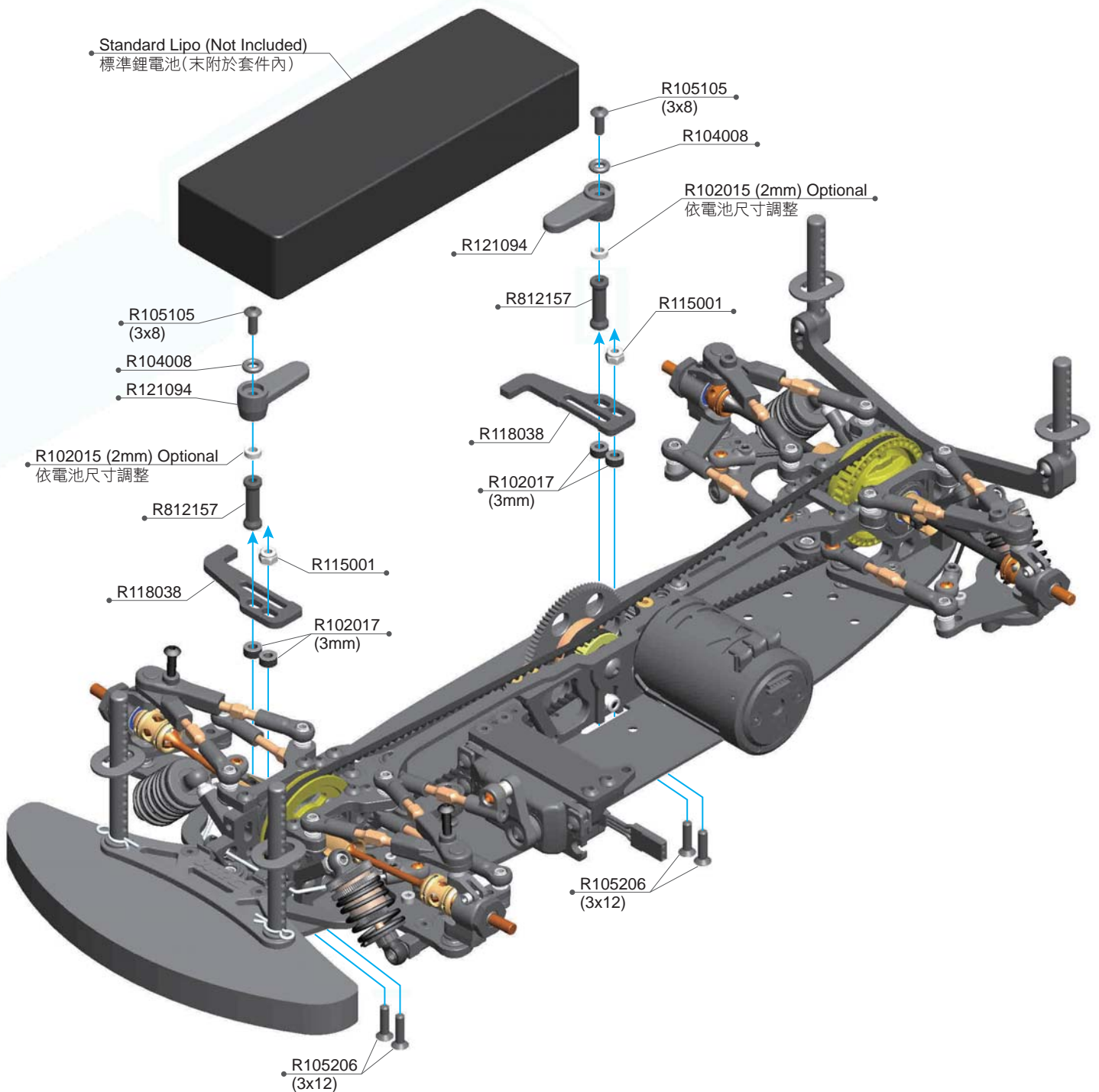


R105206
3x12mm Flat Screw (10)



R115001
3mm Nylon Nut-Black Alu (4)

1:1 Scale

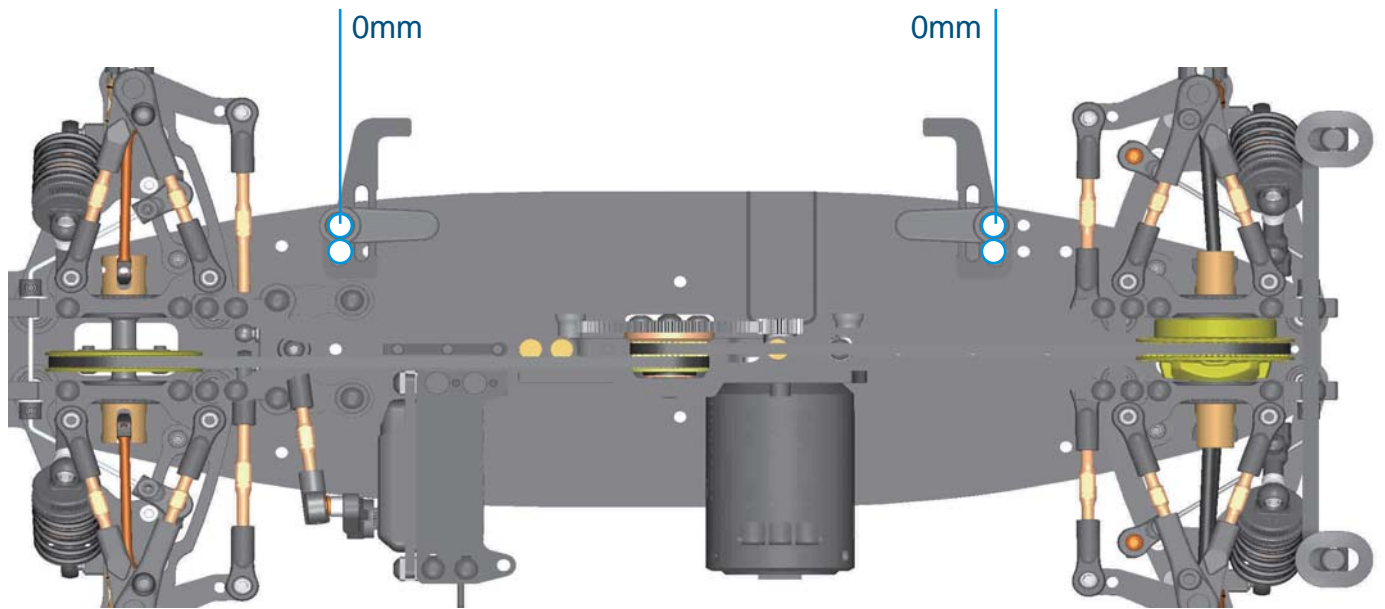


R102017 3X5.5X3mm Alu Shims(4pcs)
R104008 O'ring 3x2(Hard)(4pcs)
R105105 3x8 Round Screw (10)
R105206 3x12mm Flat Screw (10)

R115001 3mm Nylon Nut-Black Alu (4)
R118038 R11 2019 Battery Guides-Carbon (2)
R121094 Battery Holder (2)
R812157 Aluminum Tower (2)

DEFAULT BATTERY POSITION / 預設的電池位置

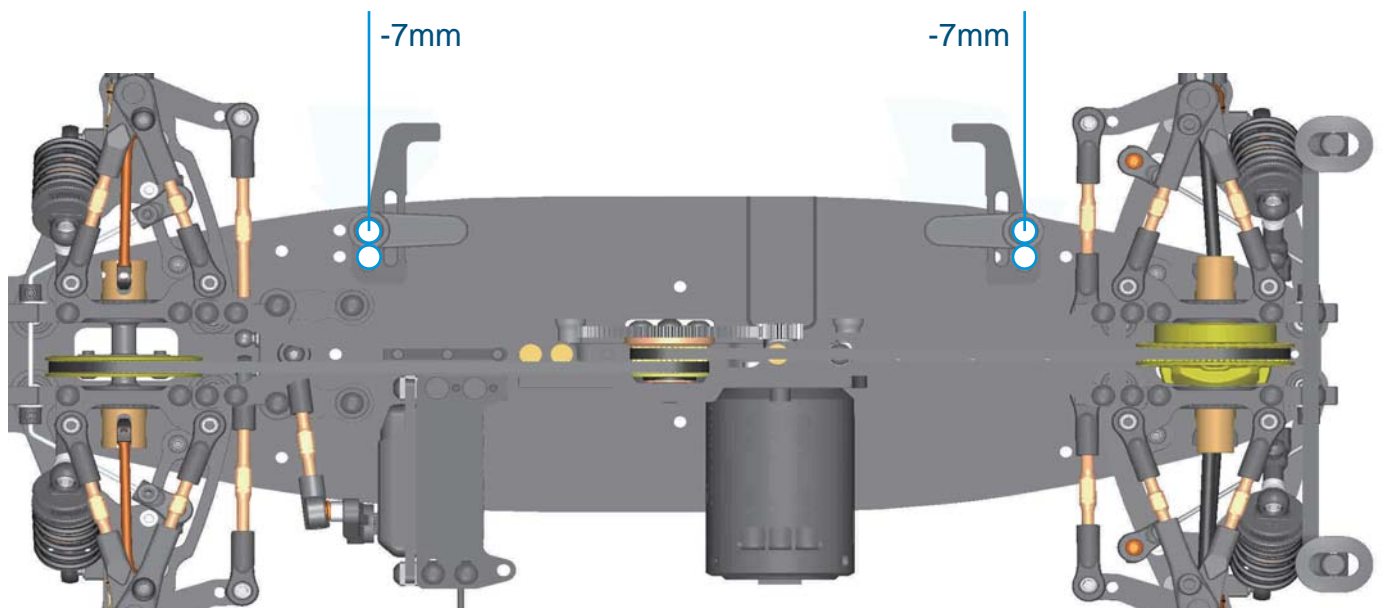
This is the default battery position suitable for most conditions.
預設的電池位置。

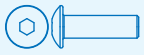


REARWARD BATTERY POSITION / 後移的電池位置

The rearward battery position is 7mm behind the default position and moves the weight towards the rear of the car. This position can be used when more steering is needed.

後移的車池架相比於預設的位置後移了7mm，後移的電池架將車輛整體的重心後移，建議使用在需要多一些轉向力的場地。



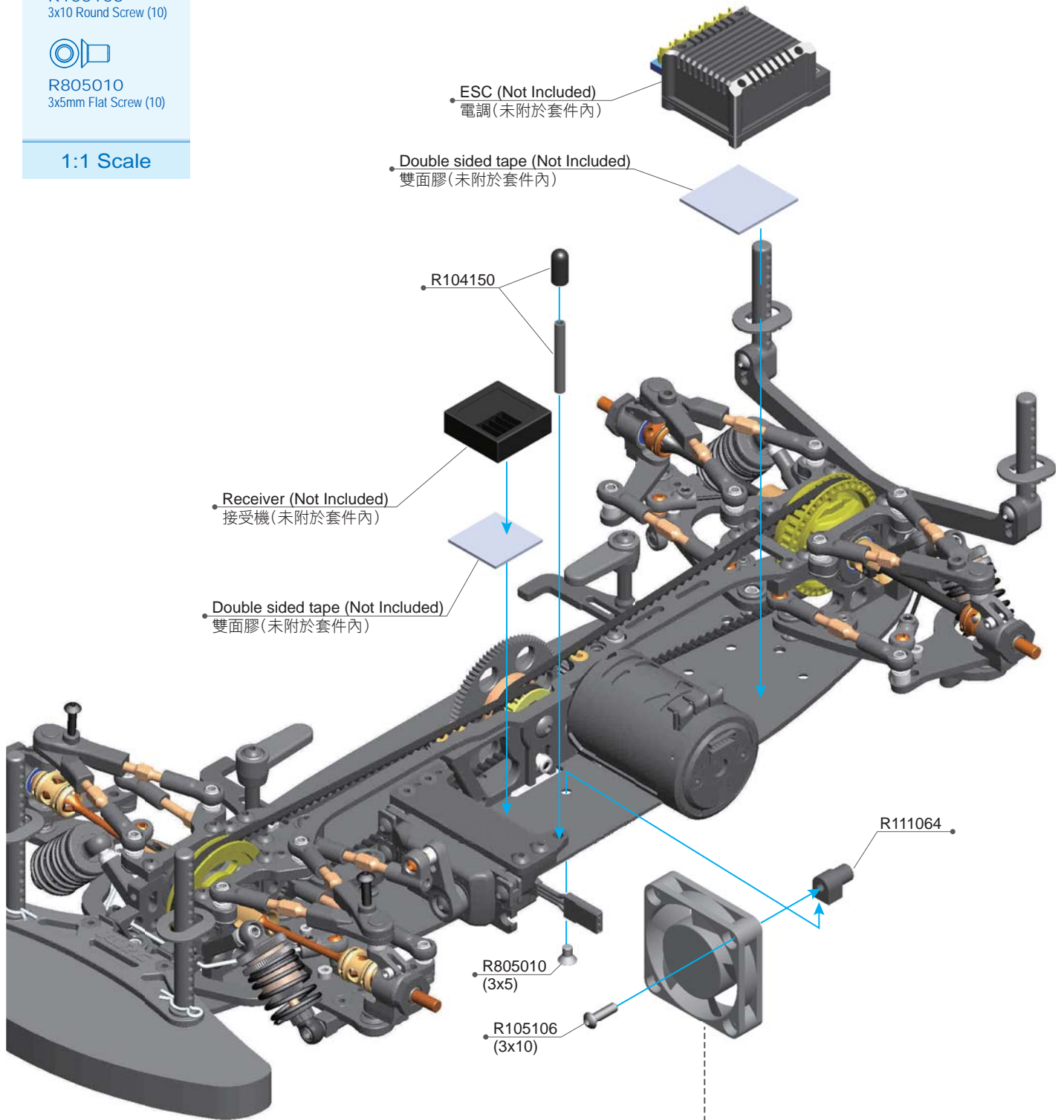


R105106
3x10 Round Screw (10)



R805010
3x5mm Flat Screw (10)

1:1 Scale



Option Parts (Not Included) / 改裝品 (未附於套件內)

TITAN 21002 H.V Motor cooling Fan / 強力風扇可以用來冷卻馬達

R104150 Antenna (1set)
R105106 3x10 Round Screw (10)

R111064 R11 Motor Fan Mount
R805010 3x5mm Flat Screw (10)

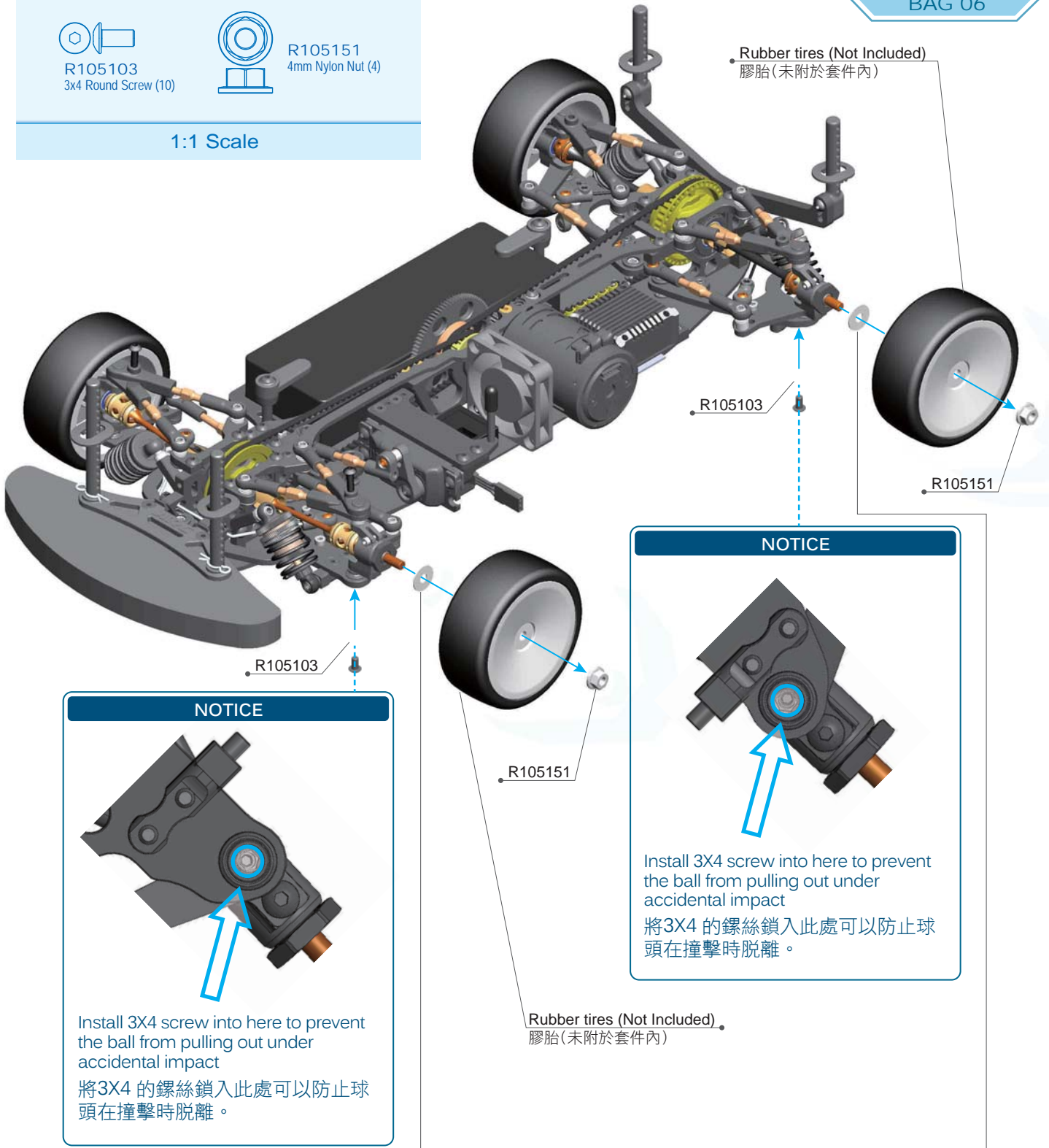


R105103
3x4 Round Screw (10)



R105151
4mm Nylon Nut (4)

1:1 Scale



Rubber tires (Not Included)
膠胎 (未附於套件內)

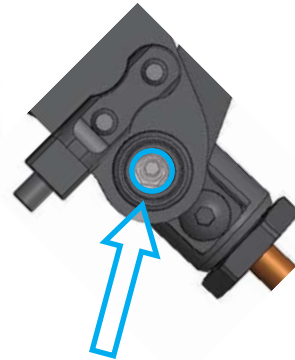
R105103

R105151

R105103

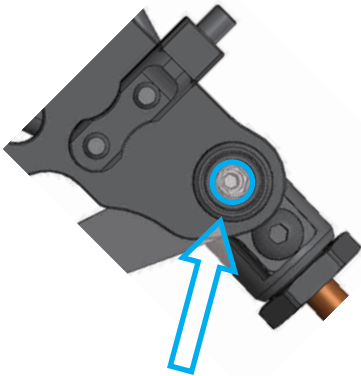
R105151

NOTICE



Install 3X4 screw into here to prevent the ball from pulling out under accidental impact
將3X4 的螺絲鎖入此處可以防止球頭在撞擊時脫離。

NOTICE



Install 3X4 screw into here to prevent the ball from pulling out under accidental impact
將3X4 的螺絲鎖入此處可以防止球頭在撞擊時脫離。

Rubber tires (Not Included)
膠胎 (未附於套件內)

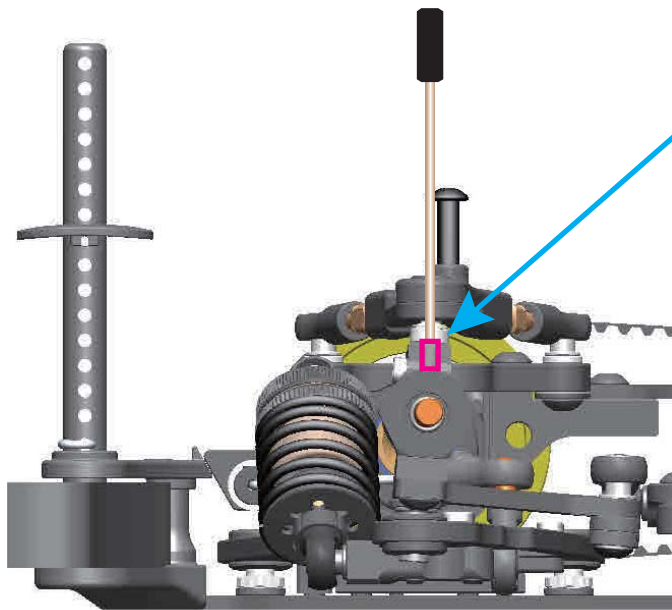
Option Parts (Not Included) / 改裝品 (未附於套件中)

R103028 4x11x0.25mm Shims (8)

R103029 4x11x0.5mm Shims (8)

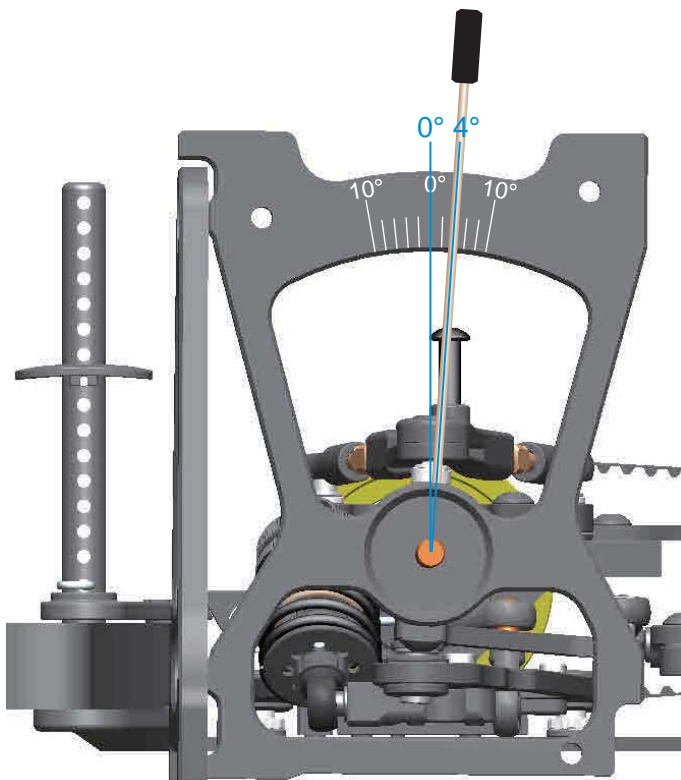
The track width can be increased by adding R103028 (0.25mm) and R103029 (0.5mm).
車寬可以使用R103028 0.25mm與R103029 0.5mm墊片來增加車寬。

NOTICE



Use 2.0mm hex screw and insert the hex head into here to be a caster gauge.

使用2.0mm的六角工具頭並塞入此處來做為量測後傾角的工具。

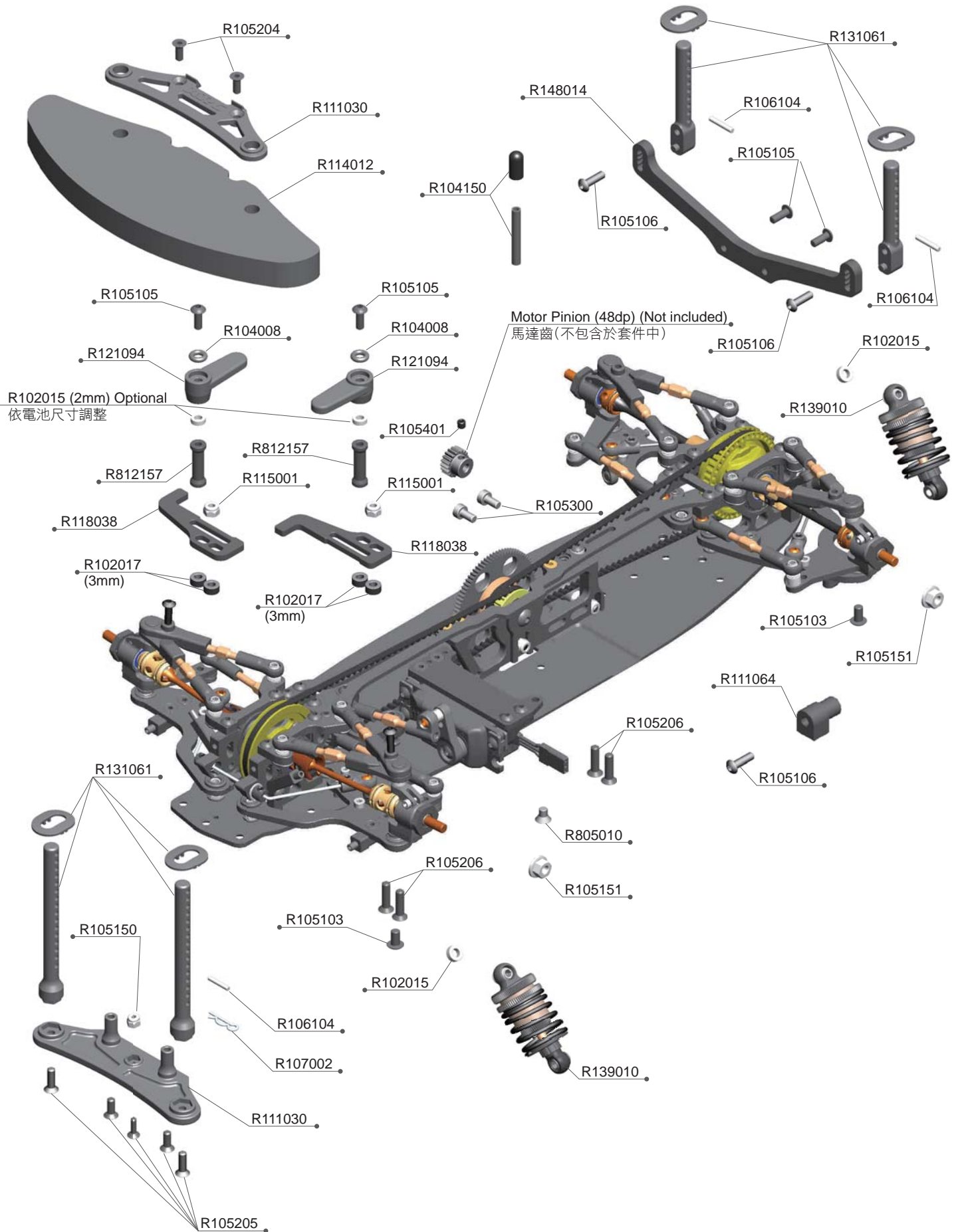


Measure the caster angle together with setup station and read the caster angle this way.

在使用調車架時，請由此方向來讀取後傾角的度數。

To adjust the caster and camber angle, please adjust 2 linkages on the upper arm.
當調整後傾角外傾角時，請同時調整上拉桿的長度來完成。


A10-25 BAG 06 PARTS EXPLODED VIEW



A10-25 BAG 06 PARTS LIST

R102015	3x5.5x2mm Alu Shims(8pcs)	R105401	3x3mm Set Screw (10)
R102017	3X5.5X3mm Alu Shims(4pcs)	R106104	2x11.8mm Pin (10pcs)
R104008	O'ring 3x2(Hard)(4pcs)	R107002	R-Clip(8pcs)
R104150	Antenna (1set)	R111030	R11 2019 Bumper Set
R105103	3x4 Round Screw (10)	R111064	R11 Motor Fan Mount
R105105	3x8 Round Screw (10)	R114012	R11 2019 Foam Bumper-HARD
R105106	3x10 Round Screw (10)	R115001	3mm Nylon Nut-Black Alu (4)
R105150	3mm Nylon Nut (10)	R118038	R11 2019 Battery Guides-Carbon (2)
R105151	4mm Nylon Nut (4)	R121094	Battery Holder (2)
R105204	3x8mm Flat Screw (10)	R131061	Body Tower Set-Hard
R105205	3x10mm Flat Screw (10)	R148014	A10-25 Rear Shock Tower
R105206	3x12mm Flat Screw (10)	R805010	3x5mm Flat Screw (10)
R105300	3x6mm Cap Screw (10)	R812157	Aluminum Tower (2)

1:1 SCALE

	R102015 3x5.5x2mm Alu Shims (8)		R105300 3x6mm Cap Screw (10)
	R102017 3x5.5x3mm Alu Shims (4)		R105401 3x3mm Set Screw (10)
	R105103 3x4 Round Screw (10)		R106104 Ø2x11.8 Pin (10)
	R105105 3x8 Round Screw (10)		R105150 3mm Nylon Nut (10)
	R105106 3x10 Round Screw (10)		R105151 4mm Nylon Nut (4)
	R805010 3x5mm Flat Screw (10)		R115001 3mm Nylon Nut-Black Alu (4)
	R105204 3x8mm Flat Screw (10)		
	R105205 3x10mm Flat Screw (10)		
	R105206 3x12mm Flat Screw (10)		