

NOTICE

TH =Apply Thread Lock Adhesive
=使用螺絲防鬆膠

CA =Apply CA Glue
=使用瞬間接著劑

GE =Apply Grease
=使用潤滑油

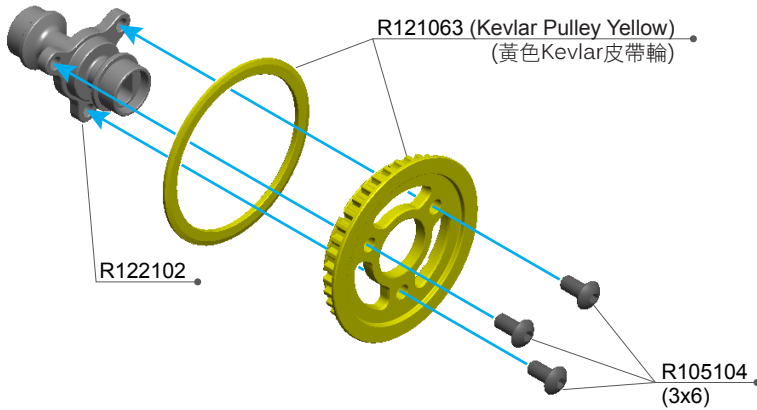
BAG 01

R105104
3x6 Round Screw (10)

R105204
3x8mm Flat Screw (10)

R106021
Low Friction Ball Bearing
10x15x4 (4)

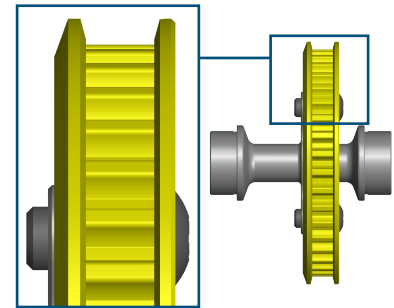
1:1 Scale



PULLEY COVER DIRECTION

請注意方向

Please make sure the pulley cover is oriented with the bevel side out.
請依圖示方向組裝皮帶輪側蓋。



Option Parts (Not Included) / 改裝品 (未附於套件內)

R122103 Solid Axle Adaptor-Alu (2)

Lightweight adaptors reduce rotating mass for a more efficient drivetrain.

輕量化的鋁接杯可以減輕傳動的重量並增加傳動效率。

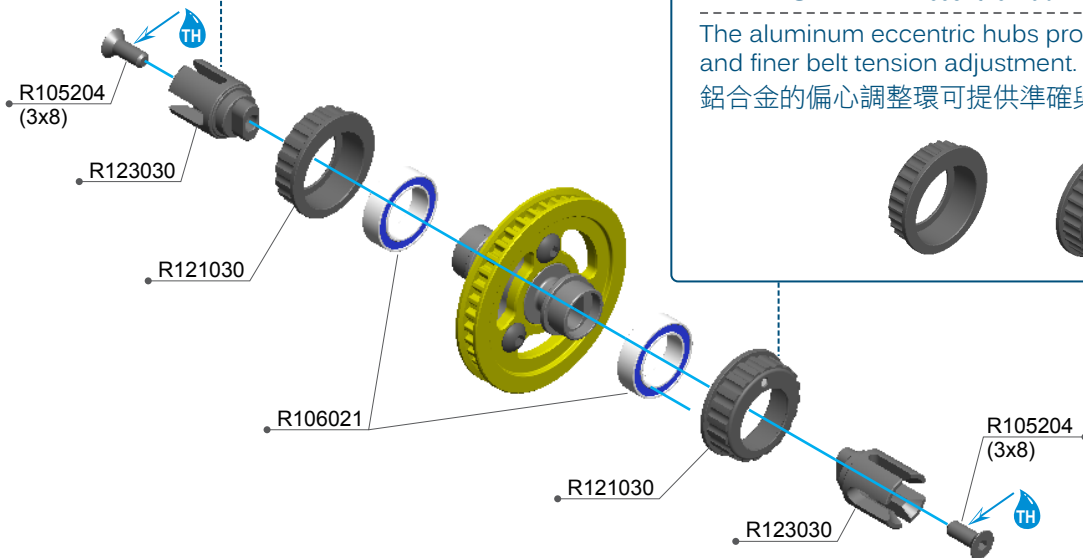


Option Parts (Not Included) / 改裝品 (未附於套件內)

R122017 R12 Eccentric Hub-Alu (4)

The aluminum eccentric hubs provide greater precision and finer belt tension adjustment.

鋁合金的偏心調整環可提供準確與更細緻的張力調整。

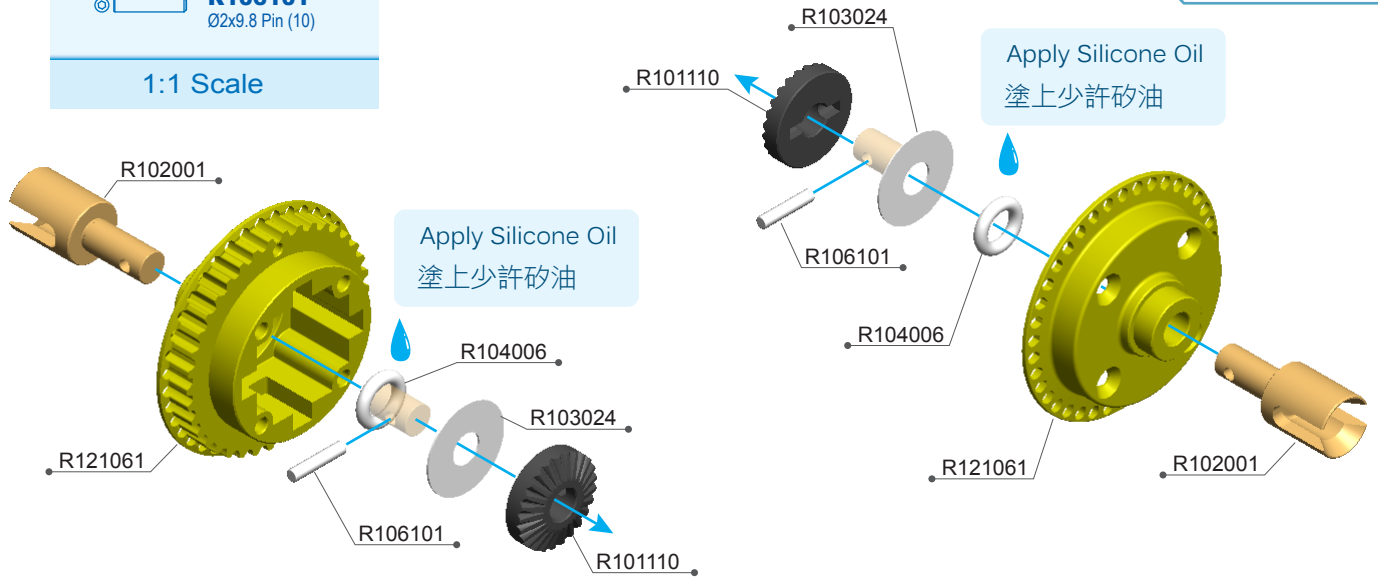


R105104 3x6 Round Screw (10)
R105204 3x8mm Flat Screw (10)
R106021 Low Friction Ball Bearing 10x15x4 (4pcs)
R121030 R12 Eccentric Hub (4)

R121063 R12 Kevlar Front Pulley 38T
R122102 R12.1 Solid Axle Shaft
R123030 Solid Axle Adaptor-steel (2)

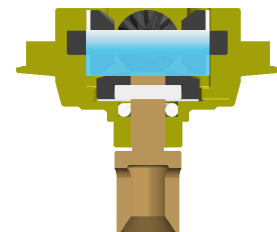
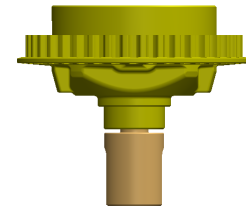
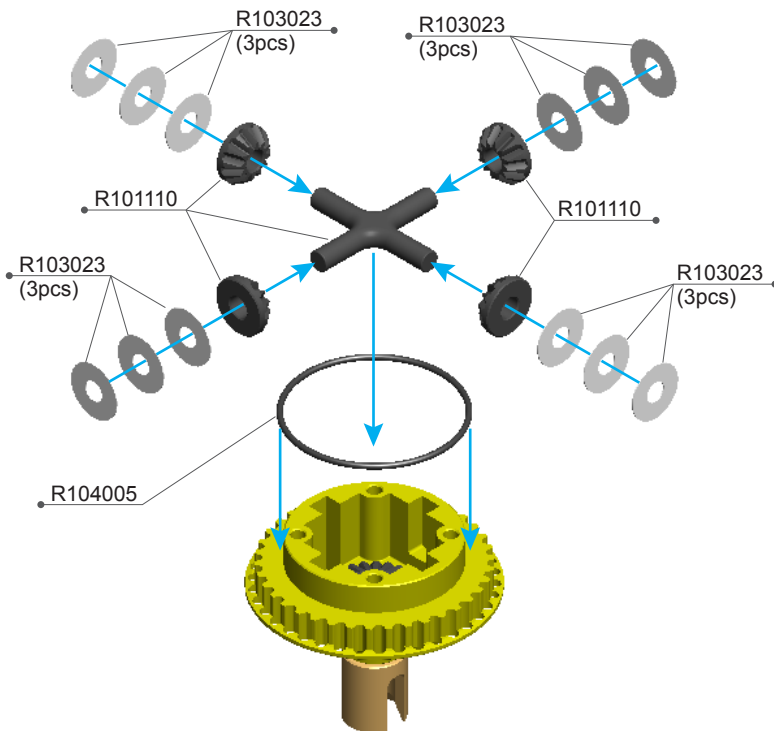
☉ **R106101**
Ø2x9.8 Pin (10)

1:1 Scale



- R101110 Diff Gears (with Axle)
- R102001 Gear Diff Outdrive Alu(2pcs)
- R103024 Gear Diff Shim Big(4pcs)

- R104006 O'ring 5x2(4pcs)
- R106101 2x9.8mm Pin (10pcs)
- R121061 R12 Kevlar Diff Case



NOTICE



Trim any excess flashing from the diff gear axle at the mold injection point.

請將十字軸邊緣多餘的合模線修順，可使差速的運做更順暢。

NOTICE

We recommend using 1.5g or 1.3g grams of silicone diff oil.

建議加入1.5公克重規格3000CST的差速油。

- R101110 Diff Gears (with Axle)
- R103023 Gear Diff Shim Small(8pcs)

- R104005 O'Ring 26x1 For Diff Case(2pcs)

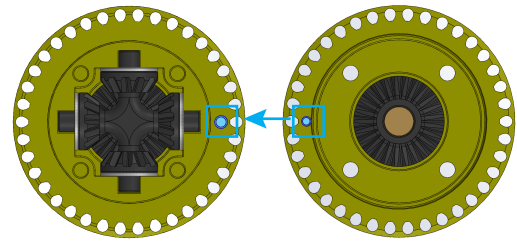
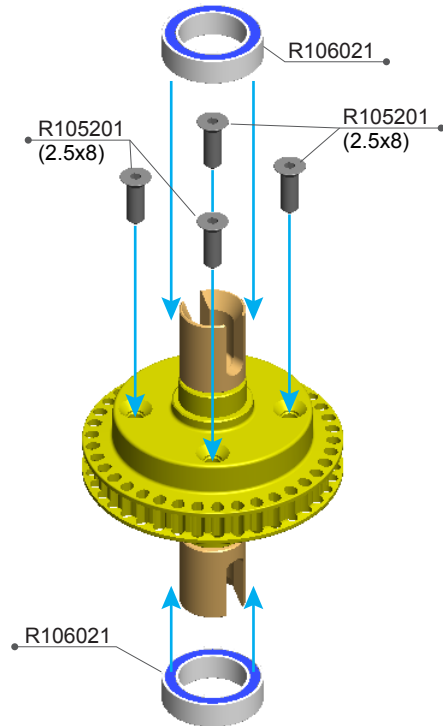


R105201
2.5x8mm Flat Screw (10)



R106021
Low Friction Ball Bearing
10x15x4 (4)

1:1 Scale



NOTICE

Diff case direction needs to match as per above.
差速外殼組裝時請依圖示對齊凹點。

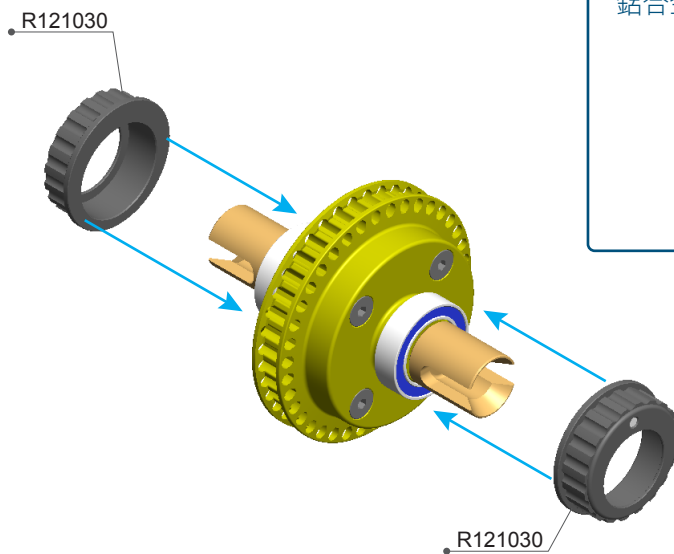
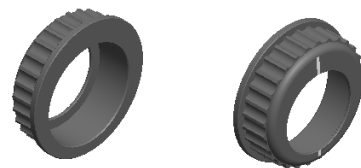
R105201 2.5x8mm Flat Screw (10)

R106021 Low Friction Ball Bearing 10x15x4 (4pcs)

Option Parts (Not Included) / 改裝品 (未附於套件內)

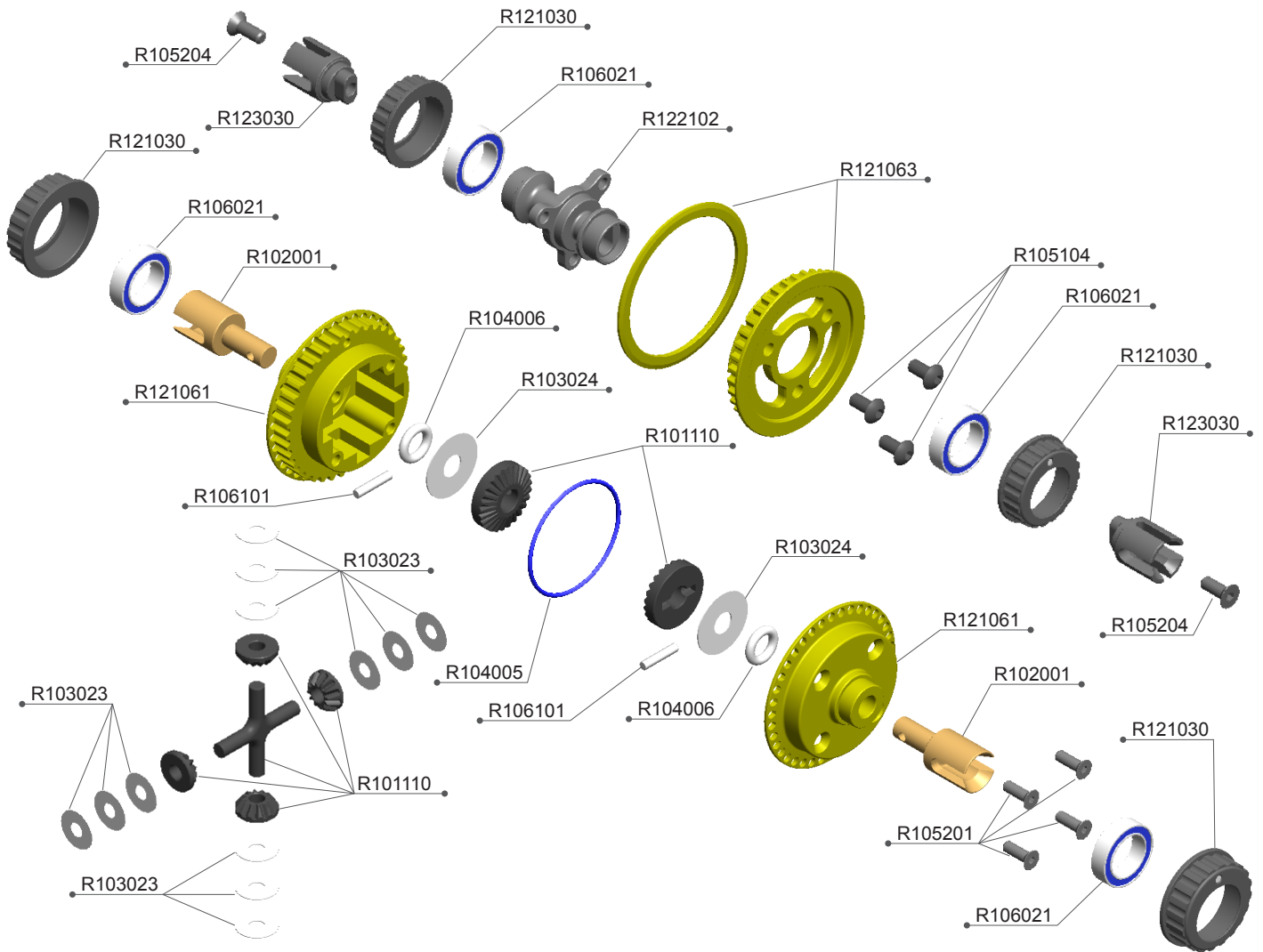
R122017 R12 Eccentric Hub-Alu (4)

The aluminum eccentric hubs provide greater precision and finer belt tension adjustment.
鋁合金的偏心調整環可提供準確與更細緻的張力調整。



R121030 R12 Eccentric Hub (4)

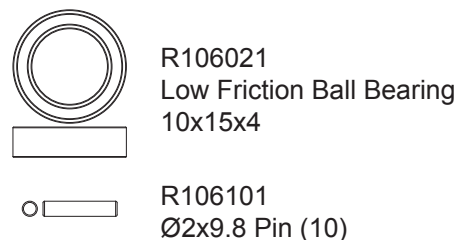
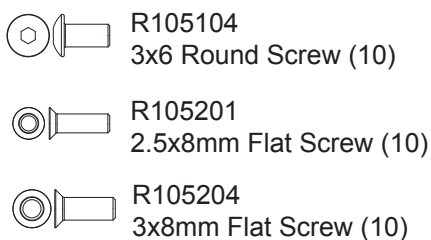
A10-23 BAG 01 PARTS EXPLODED VIEW



A10-23 BAG 01 PARTS LIST

R101110	Diff Gears (with Axle)	R105204	3x8mm Flat Screw (10)
R102001	Gear Diff Outdrive Alu(2pcs)	R106021	Low Friction Ball Bearing 10x15x4 (4pcs)
R103023	Gear Diff Shim Small(8pcs)	R106101	2x9.8mm Pin (10pcs)
R103024	Gear Diff Shim Big(4pcs)	R121030	R12 Eccentric Hub (4)
R104005	O'Ring 26x1 For Diff Case(2pcs)	R121061	R12 Kevlar Diff Case
R104006	O'ring 5x2(4pcs)	R121063	R12 Kevlar Front Pulley 38T
R105104	3x6 Round Screw (10)	R122102	R12.1 Solid Axle Shaft
R105201	2.5x8mm Flat Screw (10)	R123030	R12.1 Steel Outdrive (2)

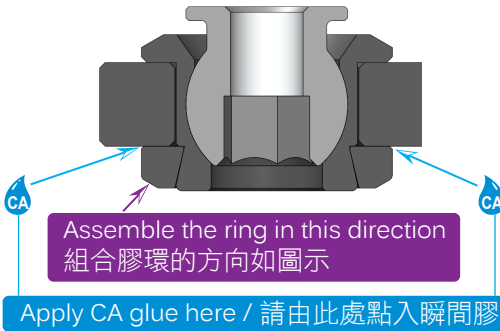
1:1 SCALE



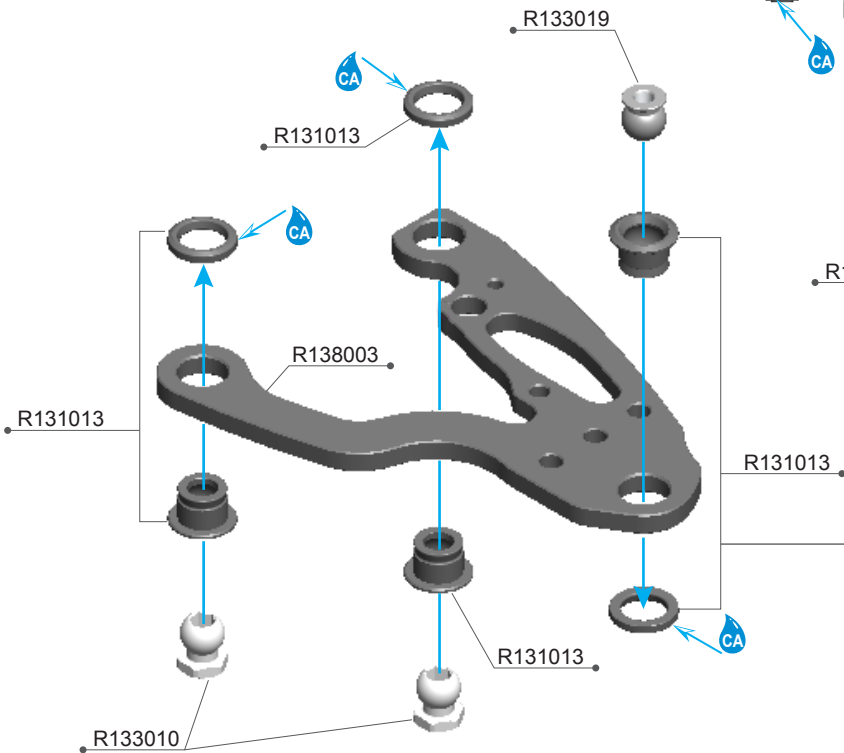
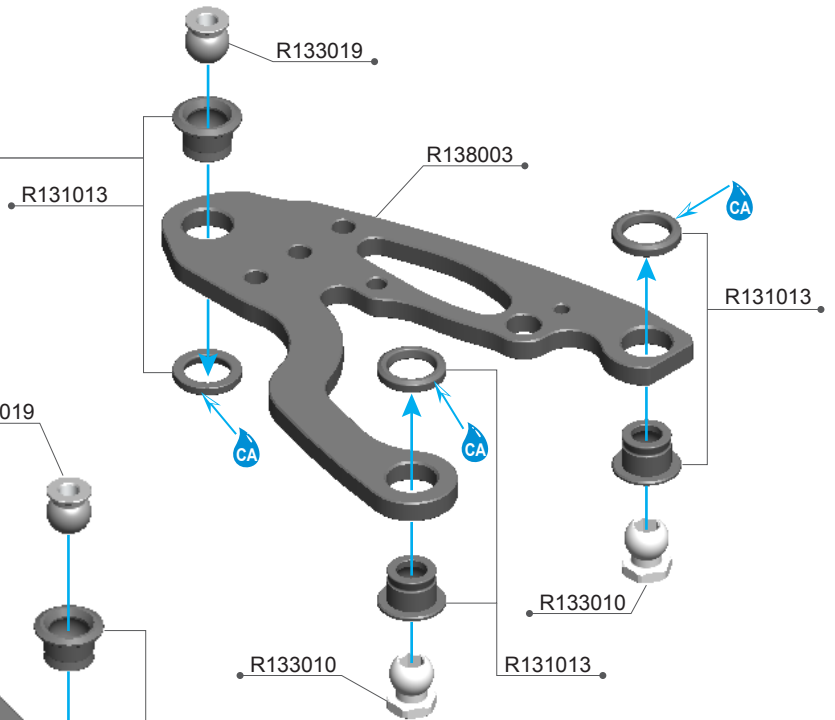
FRONT LOW ARM SET / 前下擺臂組

BAG 02

NOTICE

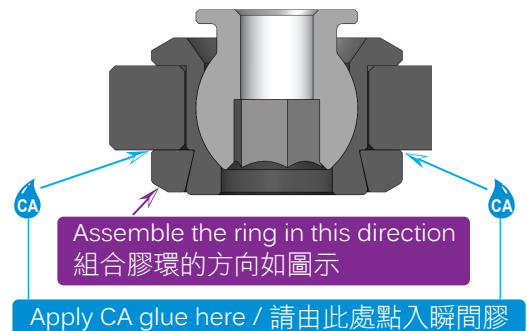


Right Side / 右邊



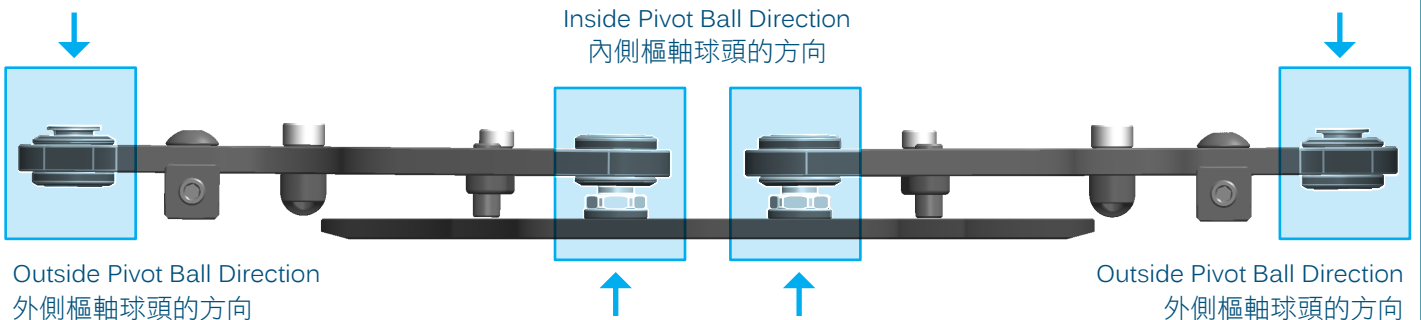
Left Side / 左邊

NOTICE



= Apply CA Glue / 使用瞬間接著劑

PIVOT BALL DIRECTION / 球頭方向

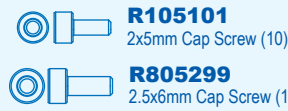
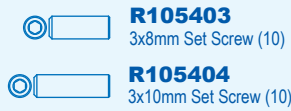


R131013 5.8mm Ball Socket Set (3 Sets)
R133010 5.8mm Pivot Ball-Titanium (2)

R133019 5.8mm Short Pivot Ball-Titanium (2)
R138003 A10 Front Low Arm-Carbon

FRONT LOW ARM SET / 前下擺臂組

BAG 02

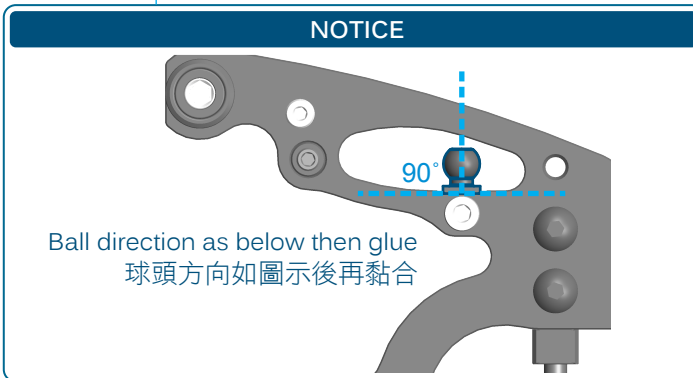
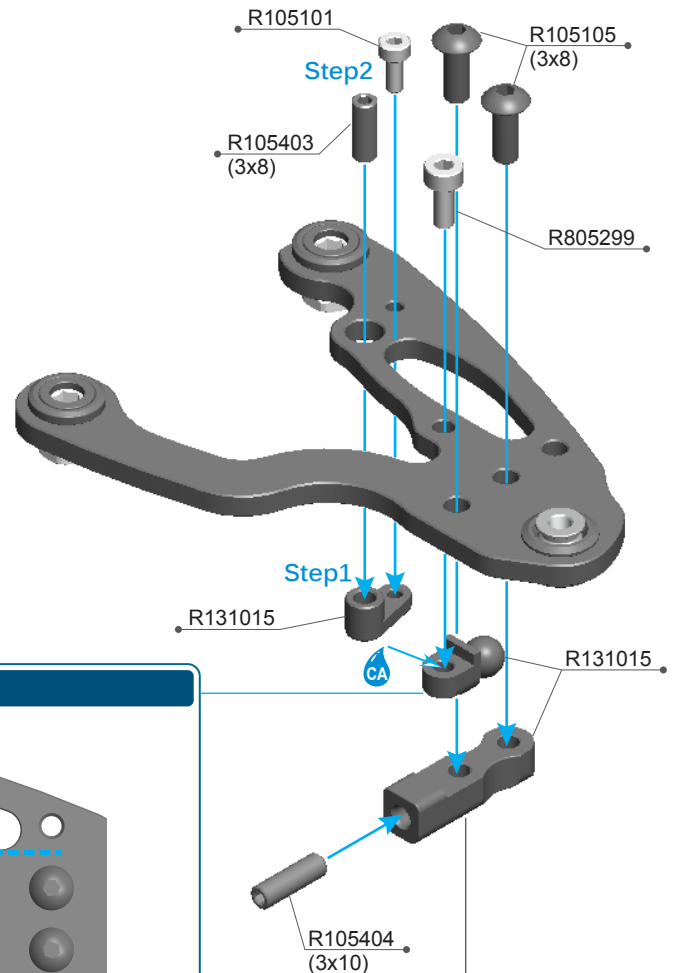
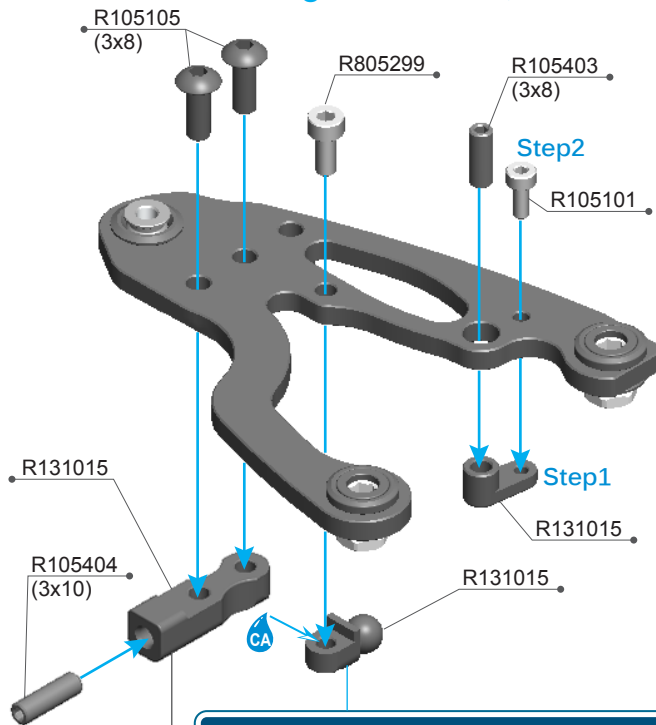


=Apply CA Glue
=使用瞬間接著劑

1:1 Scale

Right Side / 右邊

Left Side / 左邊



Option Parts (Not Included) / 改裝品(未附於套件內)

R139005 A10 Suspension Mount Front-Alu (2)

The optional 7075-T6 aluminum suspension front lower mount for A10, the new aluminum mount can improve the mounting strength and give a more precise handle feel, 2pcs/pack.

由7075鋁合金製成改裝用A10前避震器下支點座，此下座可改善支點強度並增加操控時的精準度。



R105101 2x5mm Cap Screw (10)
R105105 3x8 Round Screw (10)
R105403 3x8mm Set Screw (10)

R105404 3x10mm Set Screw (10)
R131015 Front Low Arm Parts (3)
R805299 2.5x6mm Cap Screw (10)

REAR LOW ARM SET / 後下擺臂組

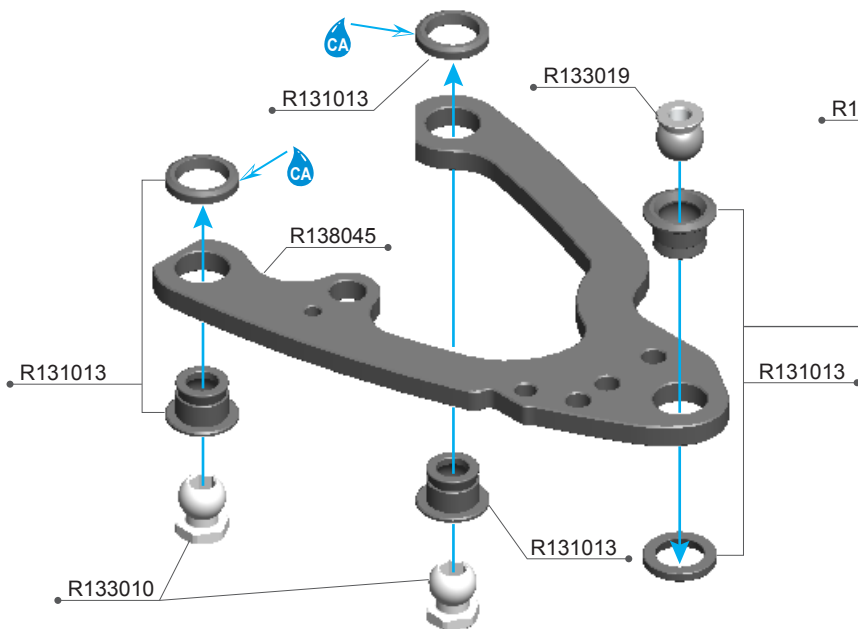
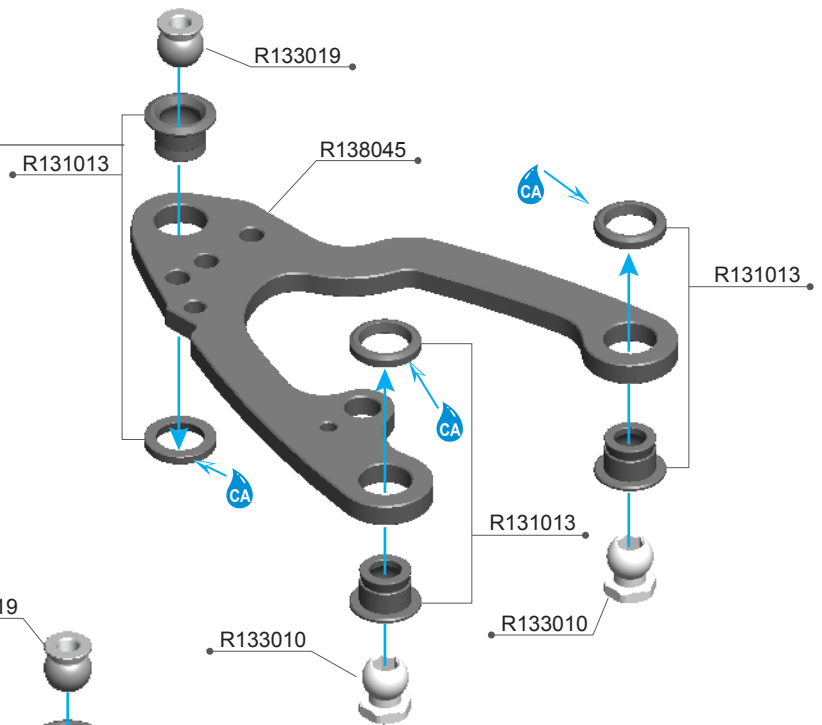
BAG 02

Right Side / 右邊

NOTICE

Assemble the ring in this direction
組合膠環的方向如圖示

Apply CA glue here / 請由此處點入瞬間膠



Left Side / 左邊

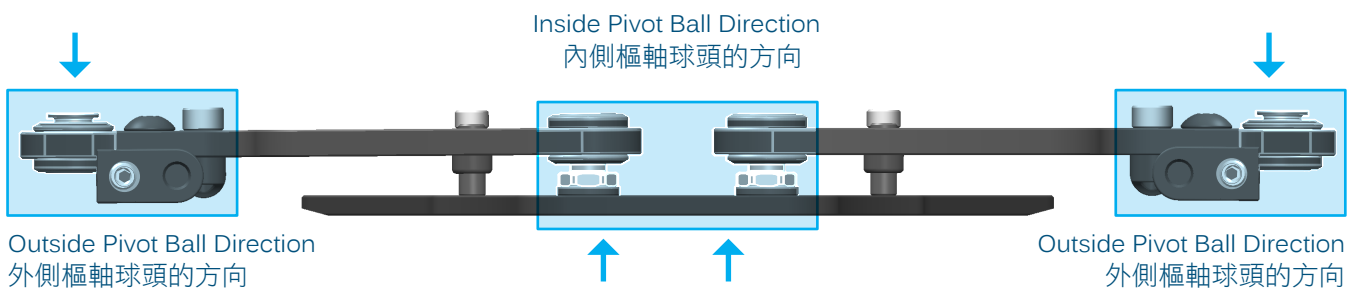
NOTICE

Assemble the ring in this direction
組合膠環的方向如圖示

Apply CA glue here / 請由此處點入瞬間膠

= Apply CA Glue / 使用瞬間接著劑

PIVOT BALL DIRECTION / 球頭方向



R131013 5.8mm Ball Socket Set (3 Sets)
R133010 5.8mm Pivot Ball-Titanium (2)

R133019 5.8mm Short Pivot Ball-Titanium (2)
R138045 A10 Rear Low Arm Short-Carbon

REAR LOW ARM SET / 後下擺臂組

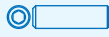
BAG 02



R105105
3x8 Round Screw (10)



R105403
3x8mm Set Screw (10)



R105404
3x10mm Set Screw (10)



R105101
2x5mm Cap Screw (10)



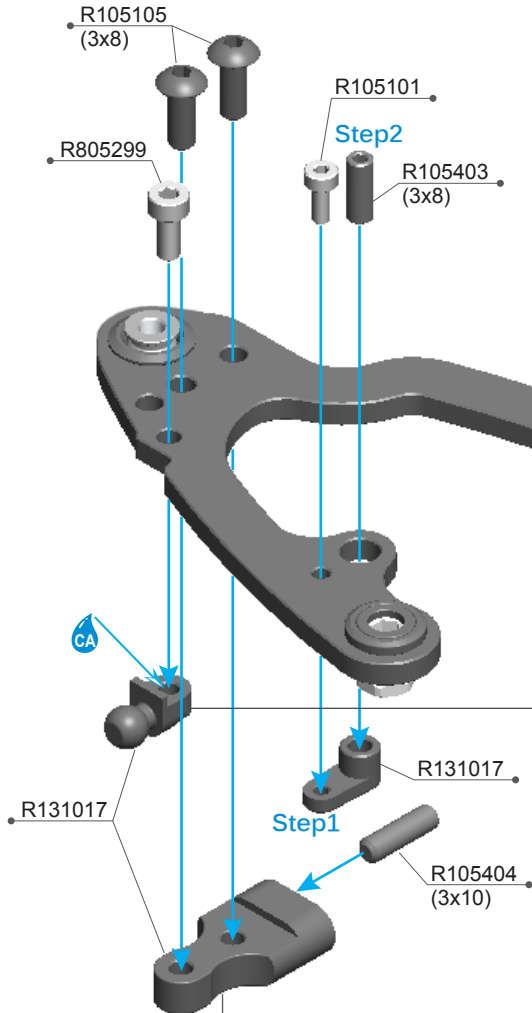
R805299
2.5x6mm Cap Screw (10)



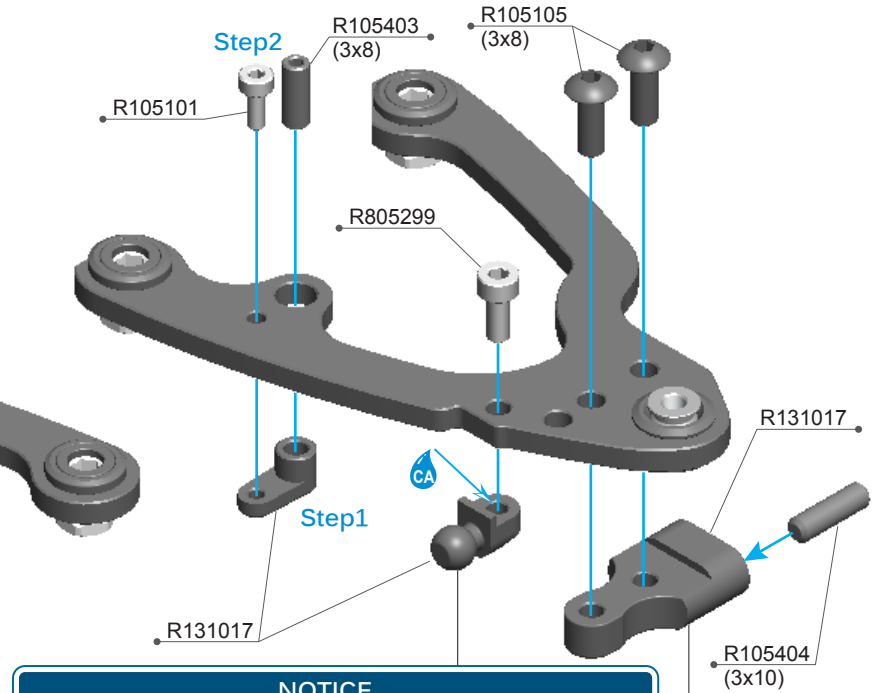
=Apply CA Glue
=使用瞬間接著劑

1:1 Scale

Right Side / 右邊

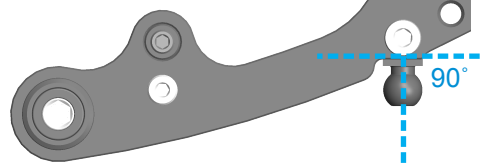


Left Side / 左邊



NOTICE

Ball direction as below then glue
球頭方向如圖示後再黏合



Option Parts (Not Included) / 改裝品 (未附於套件內)

R139006 A10 Suspension Mount Rear-Alu (2)

The optional 7075-T6 aluminum suspension rear lower mount for A10, the new aluminum mount can improve the mounting strength and give a more precise handle feel, 2pcs/pack.

由7075鋁合金製成改裝用A10後避震器下支點座，此下座可改善支點強度並增加操控時的穩定度。



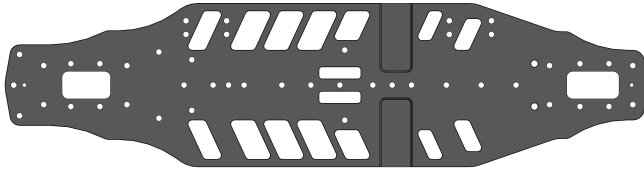
R105101 2x5mm Cap Screw (10)
R105105 3x8 Round Screw (10)
R105403 3x8mm Set Screw (10)

R105404 3x10mm Set Screw (10)
R131017 Rear Low Arm Parts (3)
R805299 2.5x6mm Cap Screw (10)

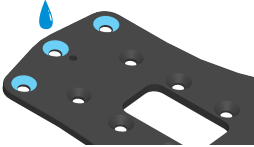
Option Parts (Not Included) / 改裝品 (未附於套件內)

R132009

A10-23 Aluminum Chassis 2.0mm

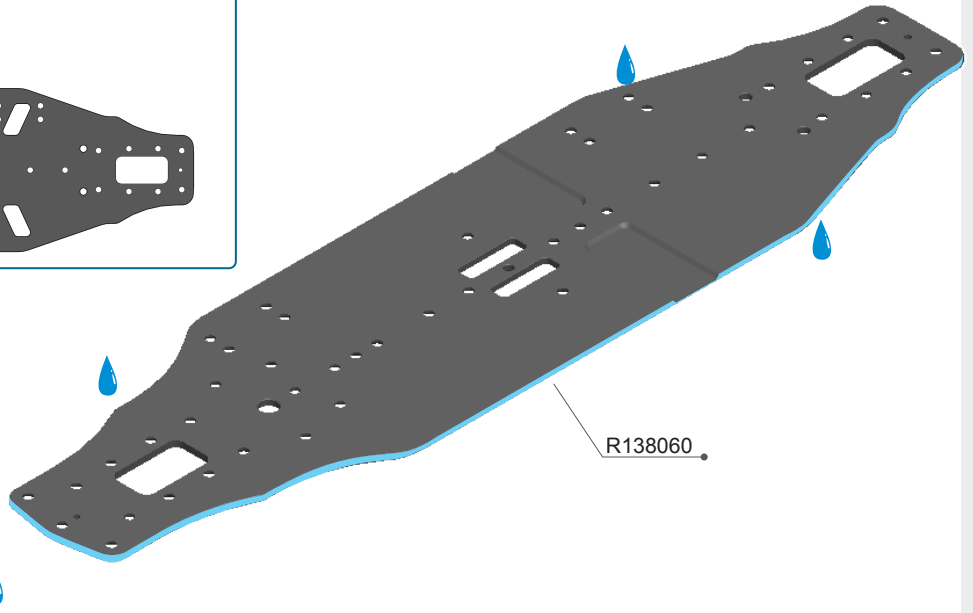


NOTICE



Apply CA Glue to the chassis edges and front bumper screws as highlighted.

請依圖示中的位置將前保桿螺絲孔用瞬間膠做補強。



R138060 A10-23 Carbon Chassis-2.25mm



R105204

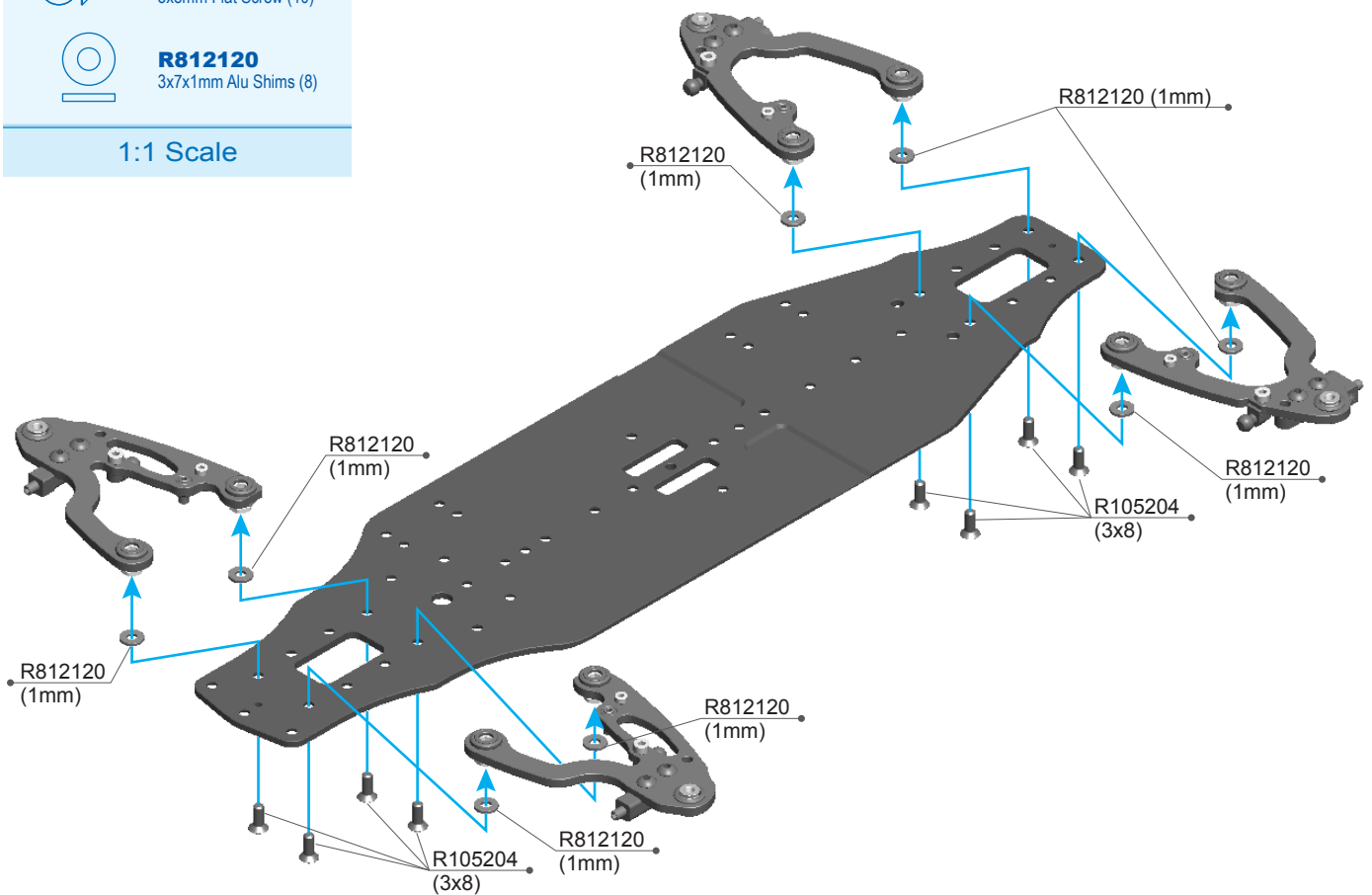
3x8mm Flat Screw (10)



R812120

3x7x1mm Alu Shims (8)

1:1 Scale



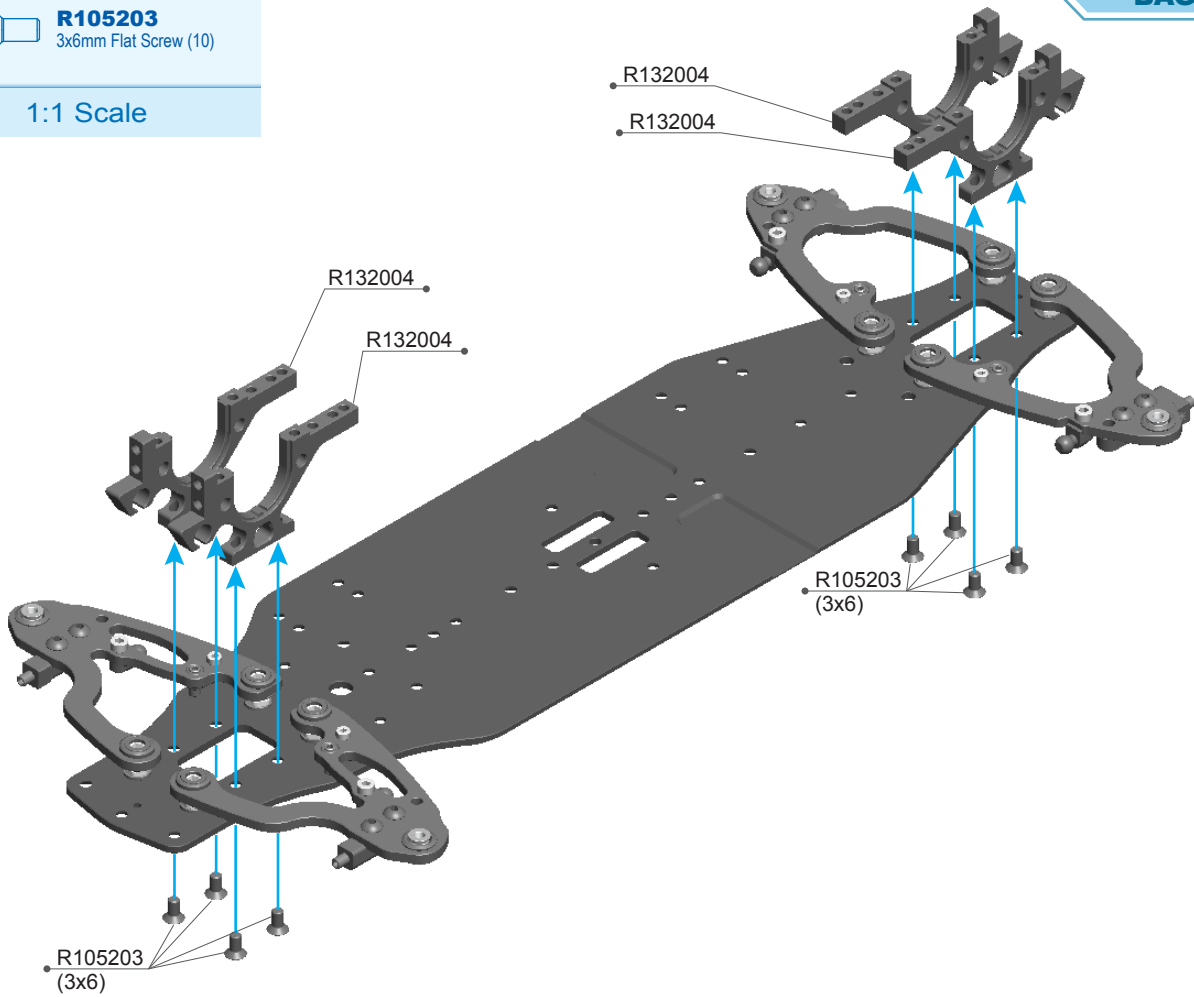
R105204 3x8mm Flat Screw (10)

R812120 3x7x1mm Alu Shims (8)



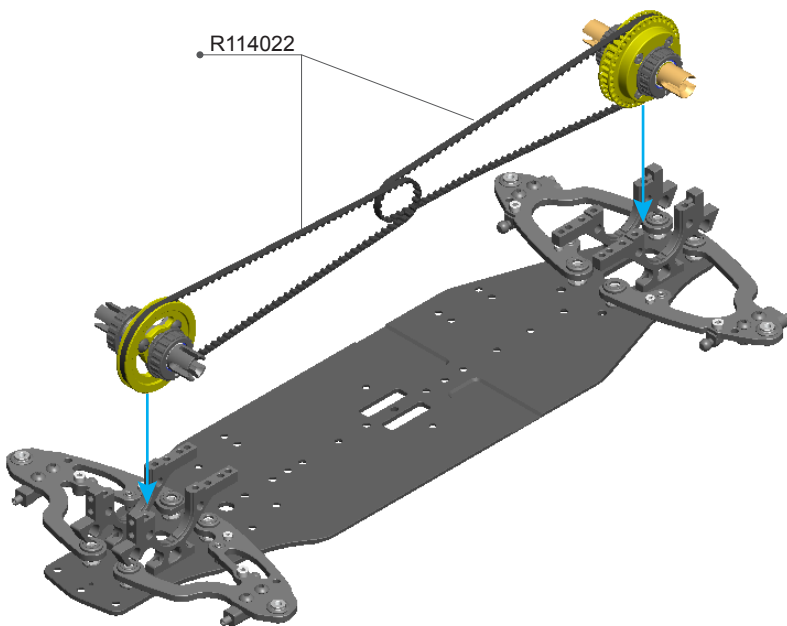
R105203
3x6mm Flat Screw (10)

1:1 Scale



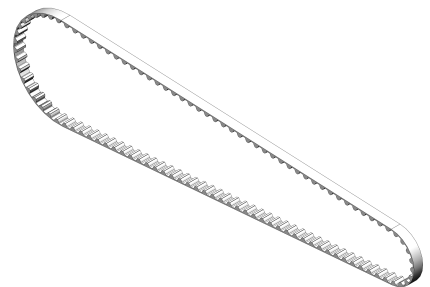
R105203 3x6mm Flat Screw (10)

R132004 A10 Lower Bulkhead



Option Parts (Not Included)
/ 改装品 (未附於套件内)

R114023
S3M-351-3mm White Rubber Belt



R114022 S3M-351-3mm Belt

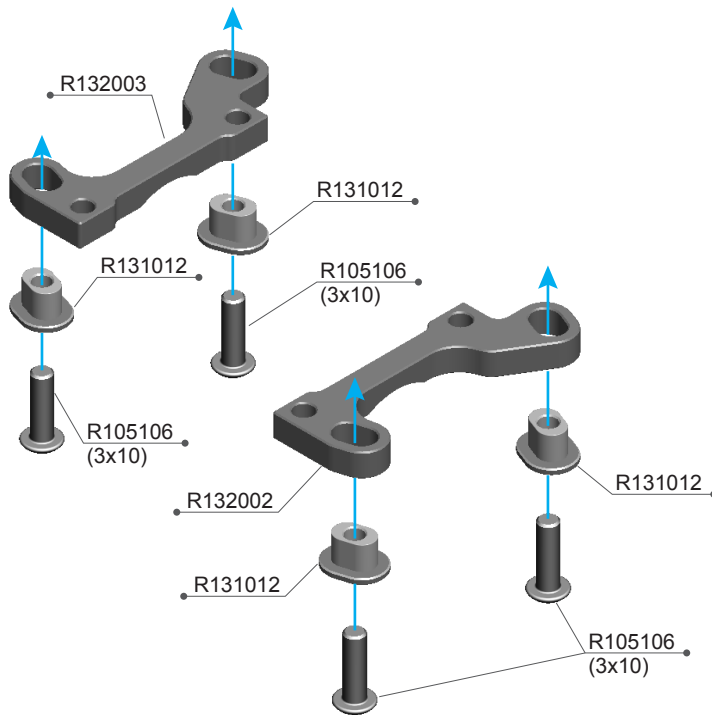


R105106
3x10 Round Screw (10)

1:1 Scale

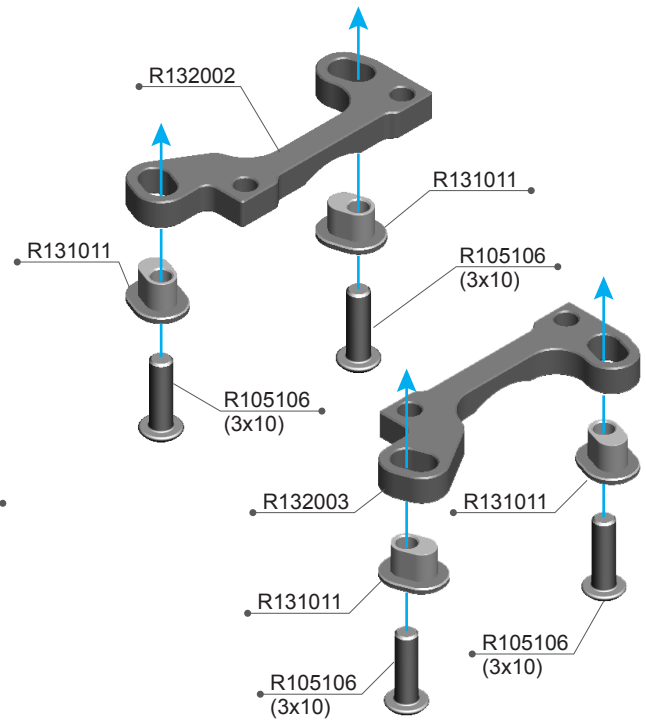
FRONT UPPER BULKHEAD

前上側板



REAR UPPER BULKHEAD

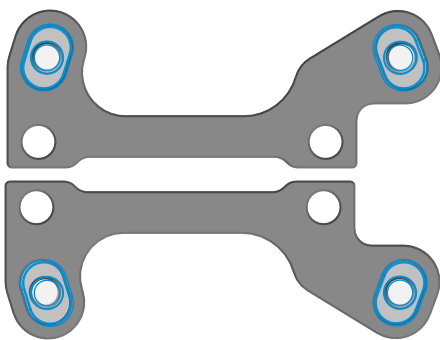
後上側板



FRONT / 前方

The upper arm length can be adjusted with different inserts. The default front upper arm setting uses the middle position.

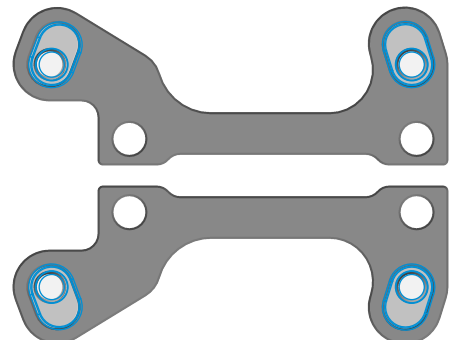
上擺臂的長度可以用不同的固定座來做改變，預設的前上擺臂使用中間的孔位。



REAR / 後方

The upper arm length can be adjusted with different inserts. The default rear upper arm setting uses the inside position for a longer upper arm.

上擺臂的長度可以用不同的固定座來做改變，預設的後上擺臂使用向內的孔位，此設定時後上擺臂的長度是最長的。



R105106 3x10 Round Screw (10)
R131011 Linkage Insert-Side (4)
R131012 Linkage Insert-Mid (4)

R132002 A10 Upper Bulkhead FL/RR
R132003 A10 Upper Bulkhead FR/RL



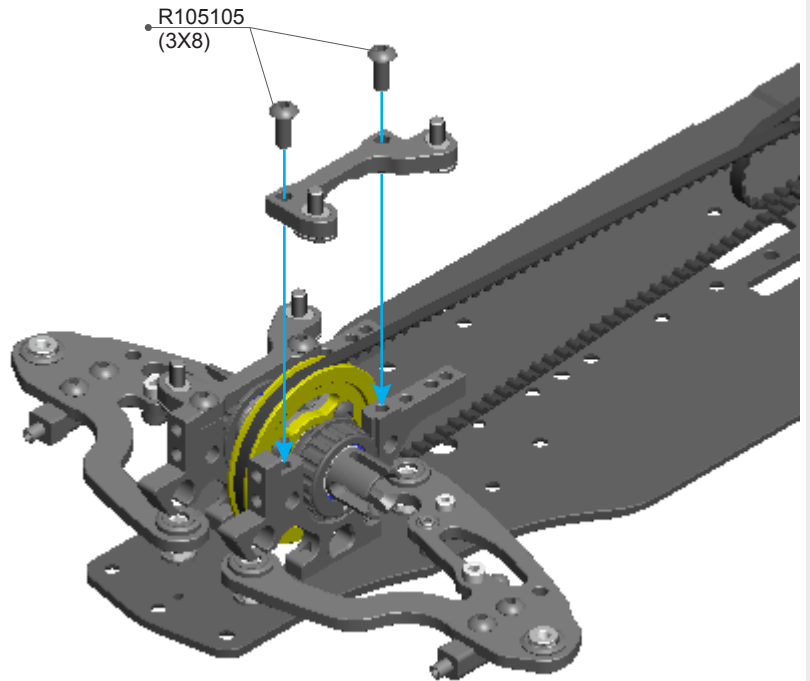
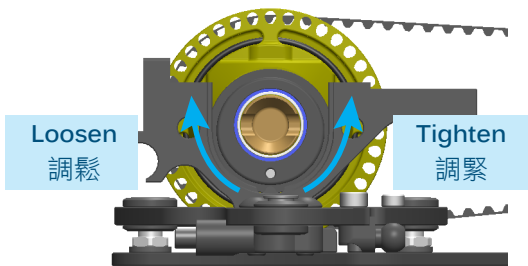
R105105
3x8 Round Screw (10)

1:1 Scale

FRONT/ 前方

The eccentric hub is used to adjust the front spool height and belt tension. The default setup is for the spool to be in a high position. The belt tension can then be adjusted incrementally.

偏心的襯套可以用來調整前直軸的高度與皮帶的鬆緊度，預設的前直軸位置於高處，皮帶的鬆緊可以如圖示來做調整。



R105105 3x8 Round Screw (10)



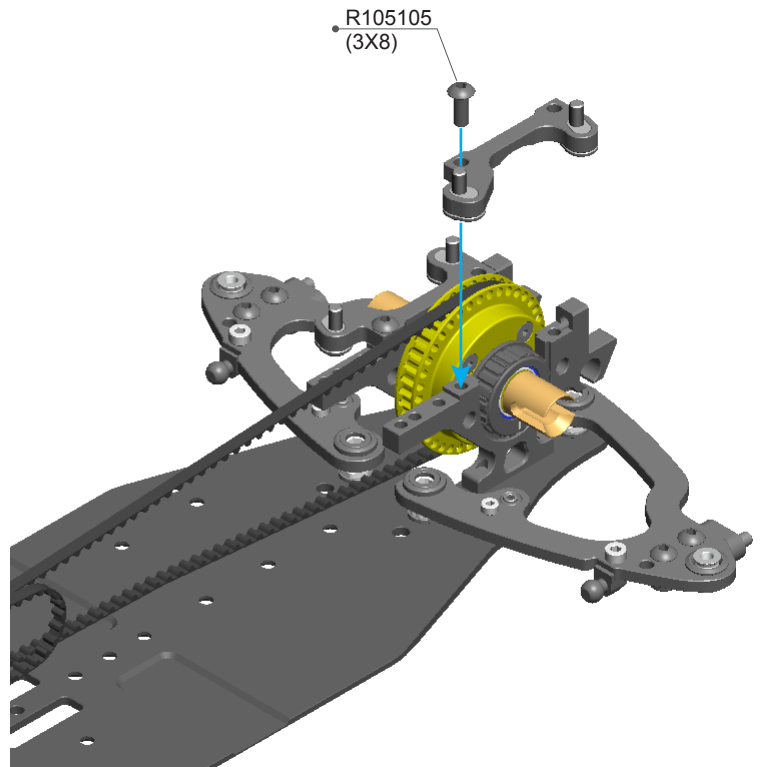
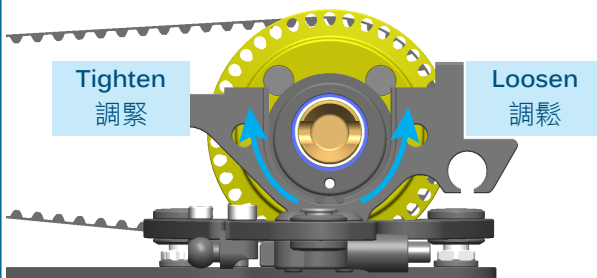
R105105
3x8 Round Screw (10)

1:1 Scale

REAR/ 後方

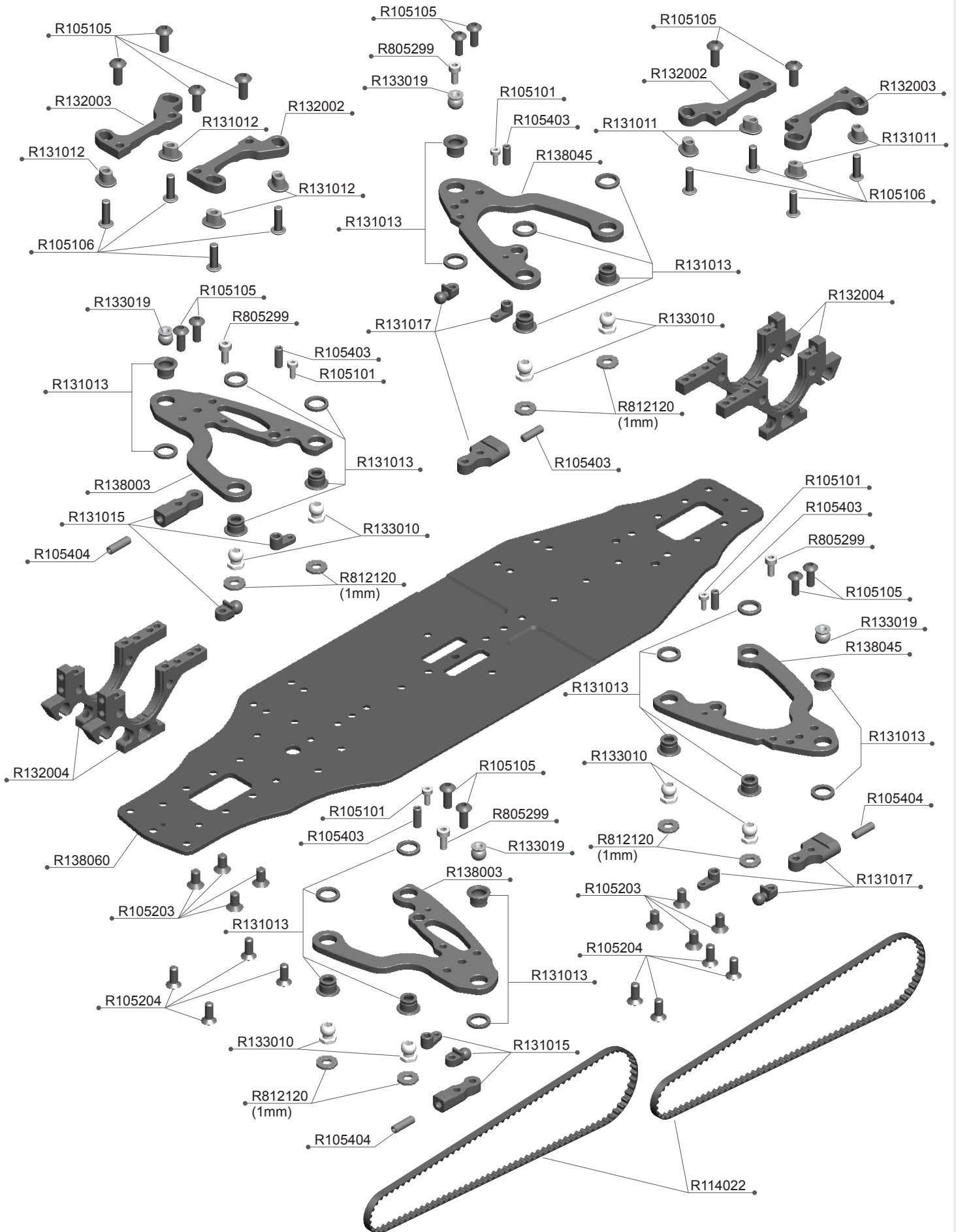
The eccentric hub is used to adjust the rear diff height and belt tension. The default setup is for the diff to be in a high position. The belt tension can then be adjusted incrementally.

偏心的襯套可以用來調整後差速的高度與皮帶的鬆緊度，預設的後差速位置於高處，皮帶的鬆緊可以如圖示來做調整。



R105105 3x8 Round Screw (10)

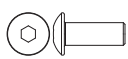
R10-23 BAG 02 PARTS EXPLODED VIEW



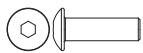
R10-23 BAG 02 PARTS LIST

R105101	2x5mm Cap Screw (10)	R131017	Rear Low Arm Parts (3)
R105105	3x8 Round Screw (10)	R132002	A10 Upper Bulkhead FL/RR
R105106	3x10 Round Screw (10)	R132003	A10 Upper Bulkhead FR/RL
R105203	3x6mm Flat Screw (10)	R132004	A10 Lower Bulkhead
R105204	3x8mm Flat Screw (10)	R133010	5.8mm Pivot Ball-Titanium (2)
R105403	3x8mm Set Screw (10)	R133019	5.8mm Short Pivot Ball-Titanium (2)
R105404	3x10mm Set Screw (10)	R138003	A10 Front Low Arm-Carbon
R114022	S3M-351-3mm Belt	R138045	A10 Rear Low Arm Short-Carbon
R131011	Linkage Insert-Side (4)	R138060	A10-23 Carbon Chassis-2.25mm
R131012	Linkage Insert-Mid (4)	R805299	2.5x6mm Cap Screw (10)
R131013	5.8mm Ball Socket Set (3 Sets)	R812120	3x7x1mm Alu Shims (8pcs)
R131015	Front Low Arm Parts (3)		

1:1 SCALE



R105105
3x8 Round Screw (10)



R105106
3x10 Round Screw (10)



R105203
3x6mm Flat Screw (10)



R105204
3x8mm Flat Screw (10)



R105101
2x5mm Cap Screw (10)



R805299
2.5x6mm Cap Screw (10)



R105403
3x8mm Set Screw (10)



R105404
3x10mm Set Screw (10)

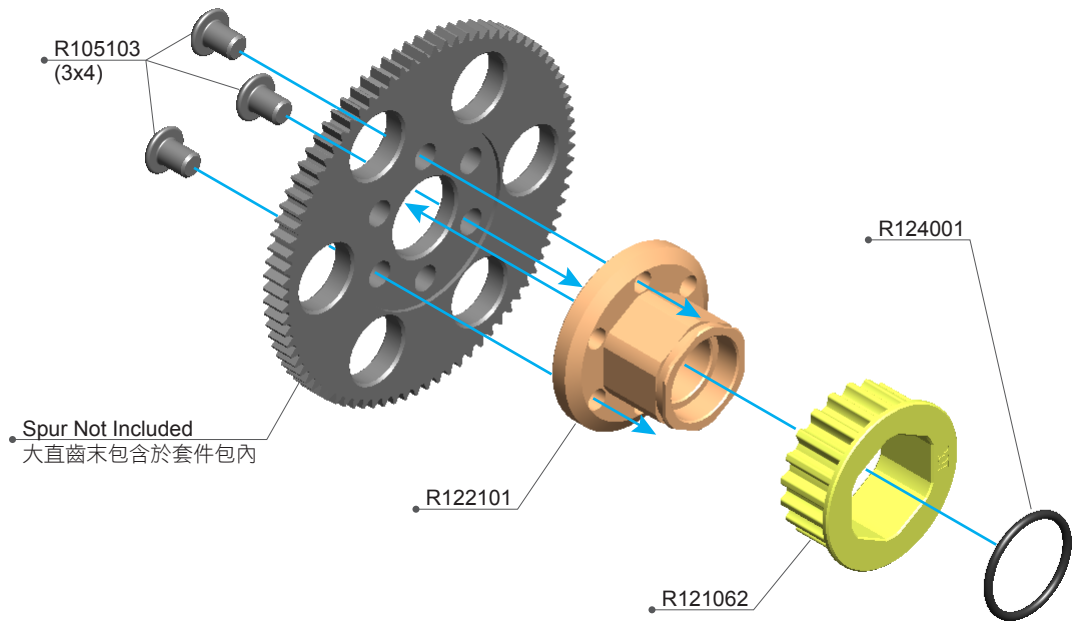


R812120
3x7x1mm Alu Shims (8)



R105103
3x4 Round Screw (10)

1:1 Scale



R105103 3x4 Round Screw (10)
R121062 R12 Kevlar Center Pulley 20T

R122101 R12 Center Pulley Hub-Alu
R124001 10x1 O'ring (4)

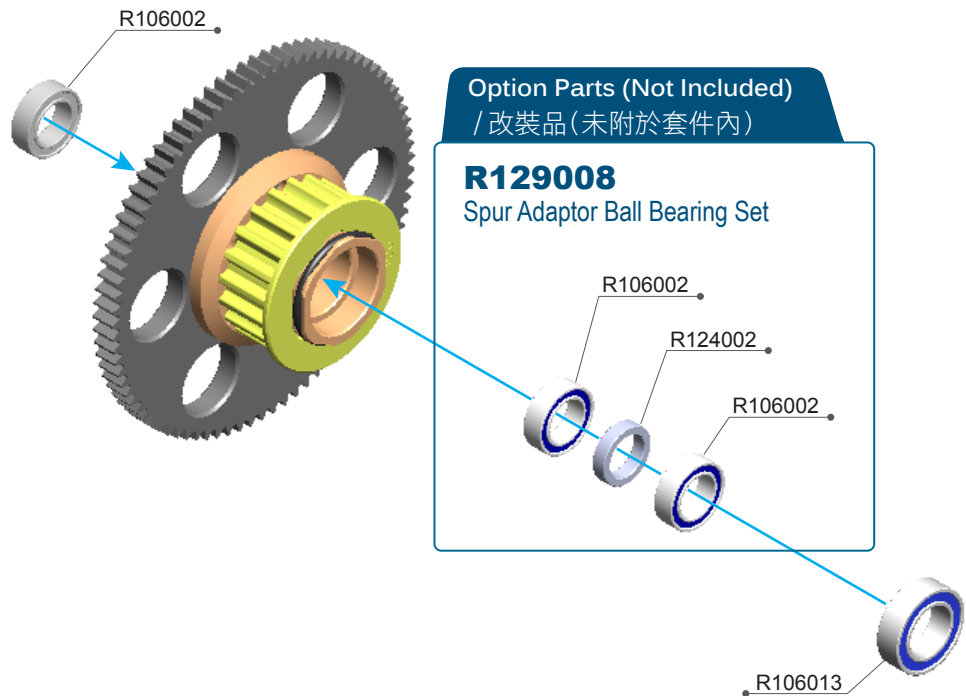


R106002
5x8x2.5mm
Ball Bearing /Metal Seal (4)



R106013
6x10x3mm Ball Bearing (2)

1:1 Scale



R106002 5x8x2.5mm Ball Bearing /Metal Seal (4)
R106013 6x10x3 Ball Bearing (2)

R124002 5x7x1.7 Teflon Ring (2)



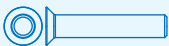
R103050
3x5x0.3mm Shims (10)



R103051
3x5x0.5mm Shims (10)



R105205
3x10mm Flat Screw (10)



R105208
3x16mm Flat Screw (10)

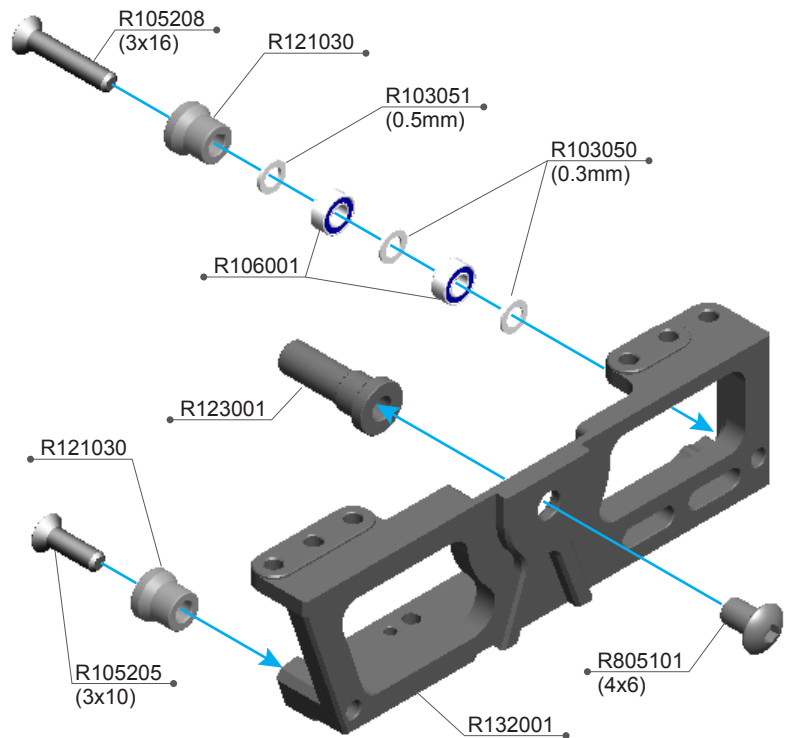


R106001
3x6x2.5mm Ball Bearing (2)



R805101
4x6 Round Screw (10)

1:1 Scale



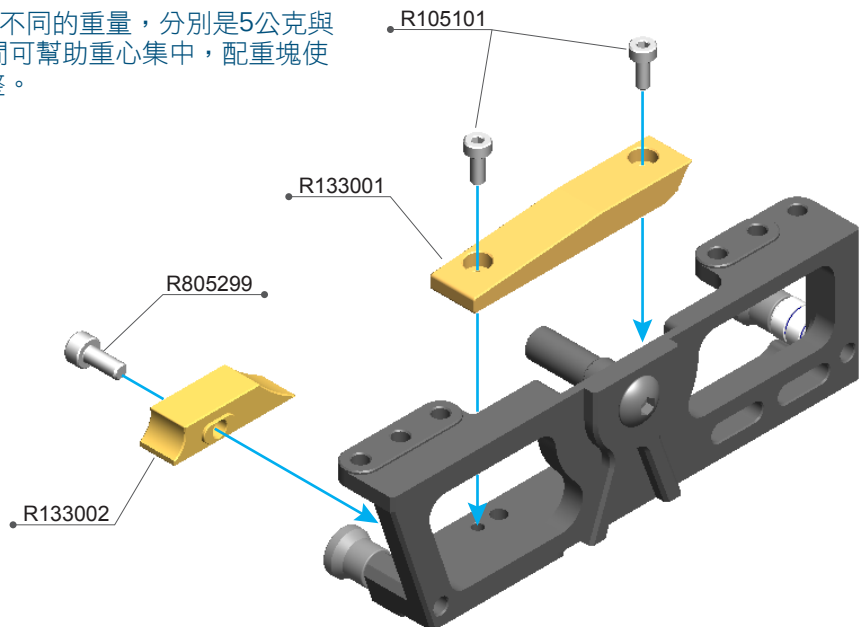
Option Parts (Not Included) / 改裝品 (未附於套件內)

R133001 A10 Brass Weight 10g

R133002 A10 Brass Weight 5g

The optional brass weight are specially designed for the A10 motor mount. There are 2 separate weights of 5g and 10g. Each weight mounts along the centerline of the chassis to ensure optimum balance is maintained.

銅製的A10專用配重塊共有二種不同的重量，分別是5公克與10公克，配重的設計放置於中間可幫助重心集中，配重塊使用螺絲固定可方便的拆裝與調整。



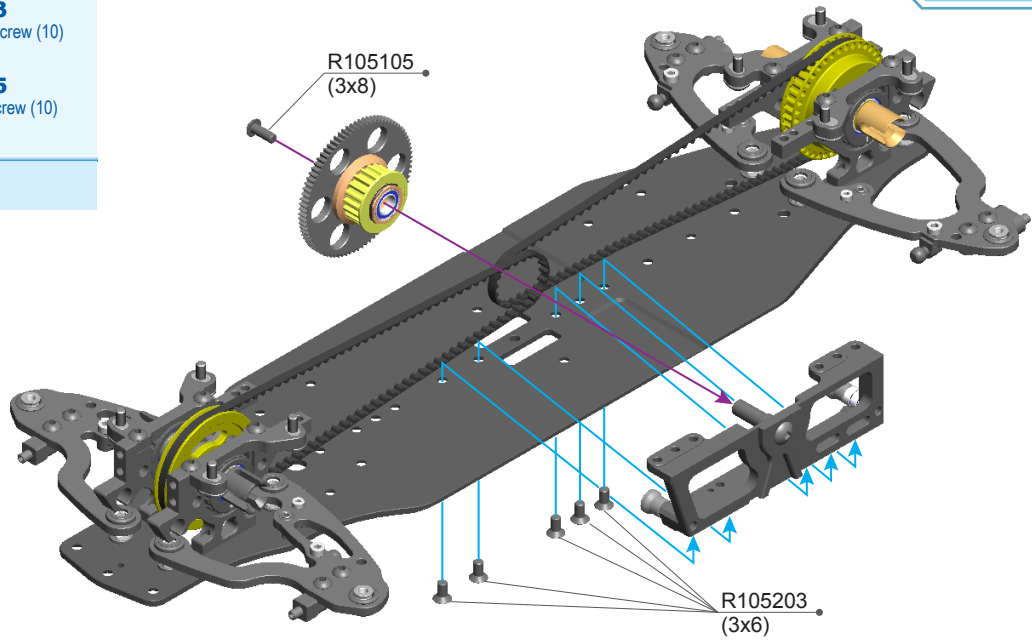
R103050 3x5x0.3mm Shims (10)
R103051 3x5x0.5mm Shims (10)
R105205 3x10mm Flat Screw (10)
R105208 3x16mm Flat Screw (10)
R106001 3x6x2.5mm Ball Bearing (2)

R121030 R12 Eccentric Hub (4)
R123001 R12 Spur Shaft
R132001 A10 Motor Bulkhead
R805101 4x6 Round Screw (10)

R105203
3x6mm Flat Screw (10)

R105105
3x8 Round Screw (10)

1:1 Scale

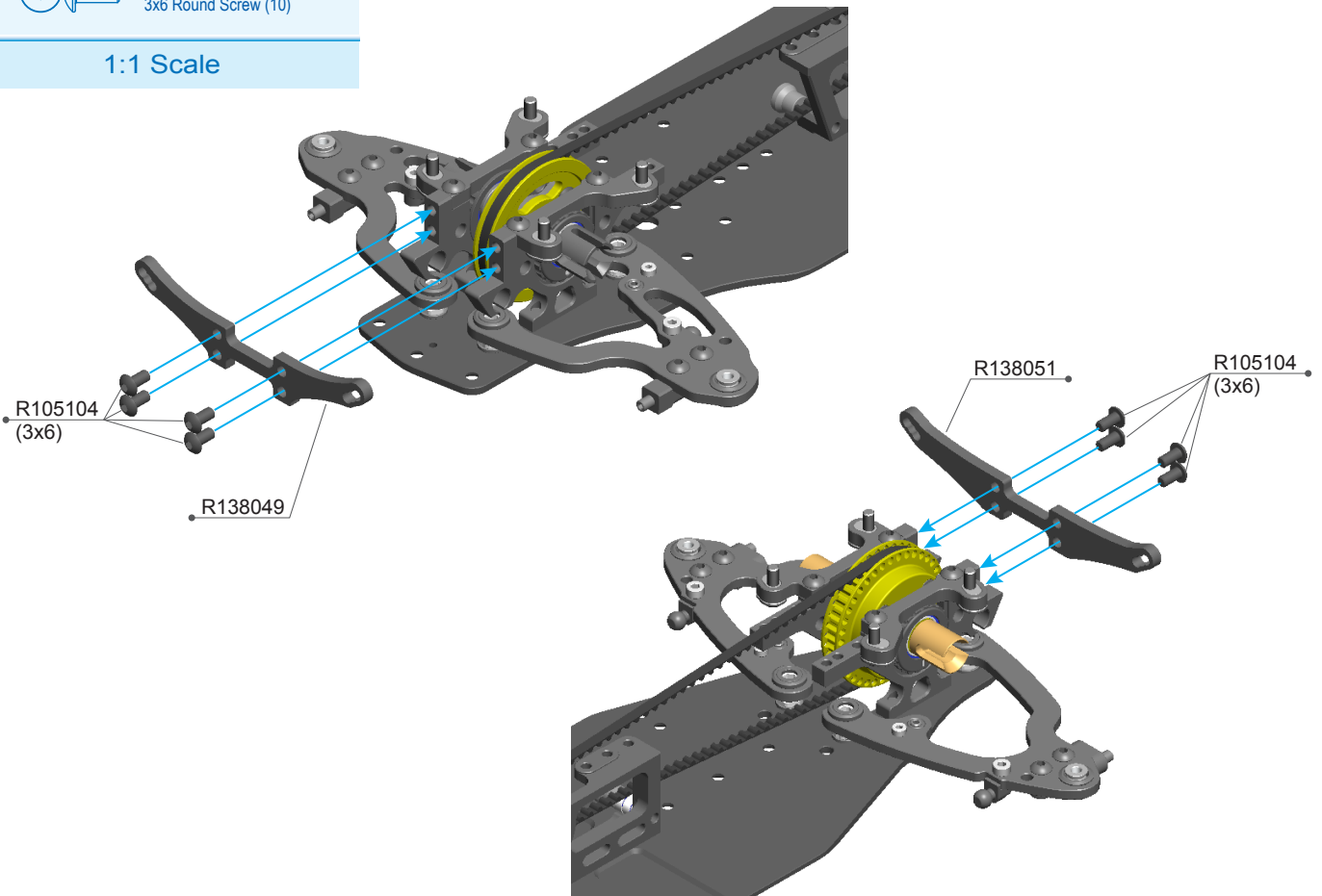


R105105 3x8 Round Screw (10)

R105203 3x6mm Flat Screw (10)

R105104
3x6 Round Screw (10)

1:1 Scale



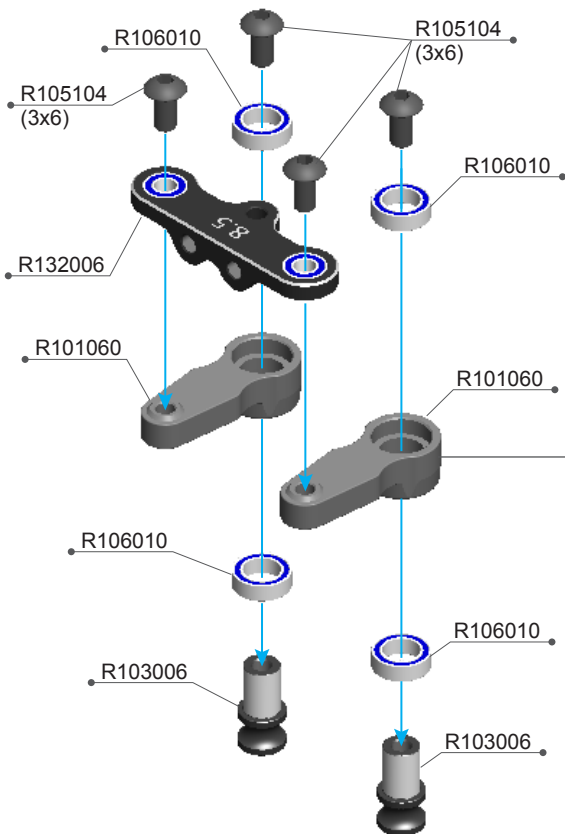
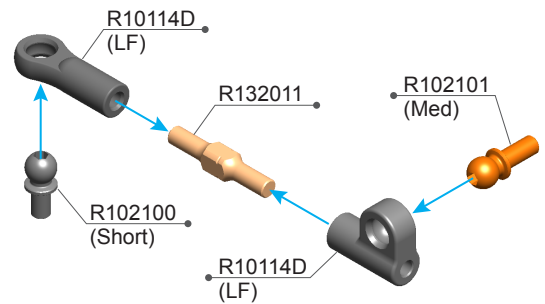
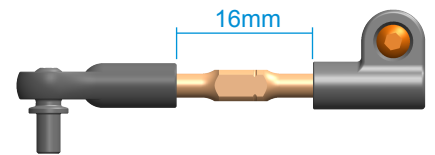
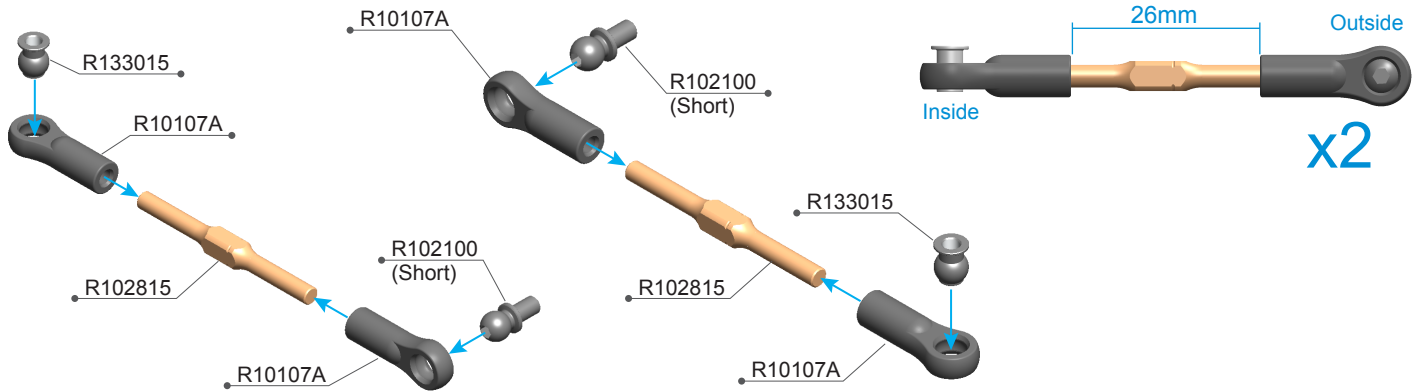
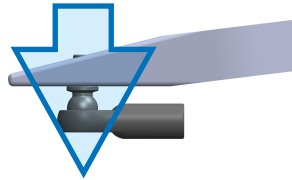
R105104 3x6 Round Screw (10)
R138049 A10-23 Front Shock Tower

R138051 A10-23 Rear Shock Tower


R105104
3x6mm Round Screw (10)

R106010
5x8x2.5mm Ball Bearing (4)

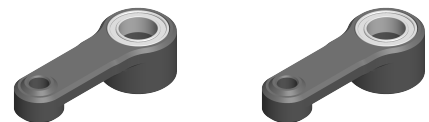
1:1 Scale


Option Parts (Not Included) / 改裝品 (未附於套件內)
R132044 Bell Crank 18mm Alu B.B Assembled (2)

The new option bell crank 18mm for A10 and R12 series car, the optional bell cranks are the same distance as plastic bell cranks and it is made from 7075-T6 aluminum.

It helps to give precise handling especially on the high traction tracks, the pre assemble center ball bearing can minimize the play.

適用於R12與A10系列車種的7075-T6鋁合金雙搖臂，此搖臂的距離與塑膠件相同可以直接替用，預先安裝的培林將虛位減到最小並提供更精確的操控性。



- R101060 Servo Horn Dual steering arm
- R10107A Ball Joint 4.9mm Open (6pcs)
- R10114D Steering Rod Ball Joint Set (LF)
- R102100 Alu 4.9mm Ball End Short(4pcs)
- R102101 Alu 4.9mm Ball End Med(4pcs)
- R102815 Turnbuckle 3x37mm ALU-7075 (2pcs)

- R103006 Steering Shaft(2pcs)
- R105104 3x6 Round Screw (10)
- R106010 5x8x2.5mm Ball Bearing (4pcs)
- R132006 Steering Plate 8.5-V2
- R132011 Turnbuckle 3x23mm Alu-7075 (2)
- R133015 Ball Head 4.9mm +0.5 (4)



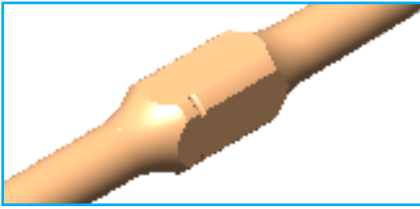
R102017
3x5.5x3mm Alu Shims (4)



R105203
3x6mm Flat Screw (10)

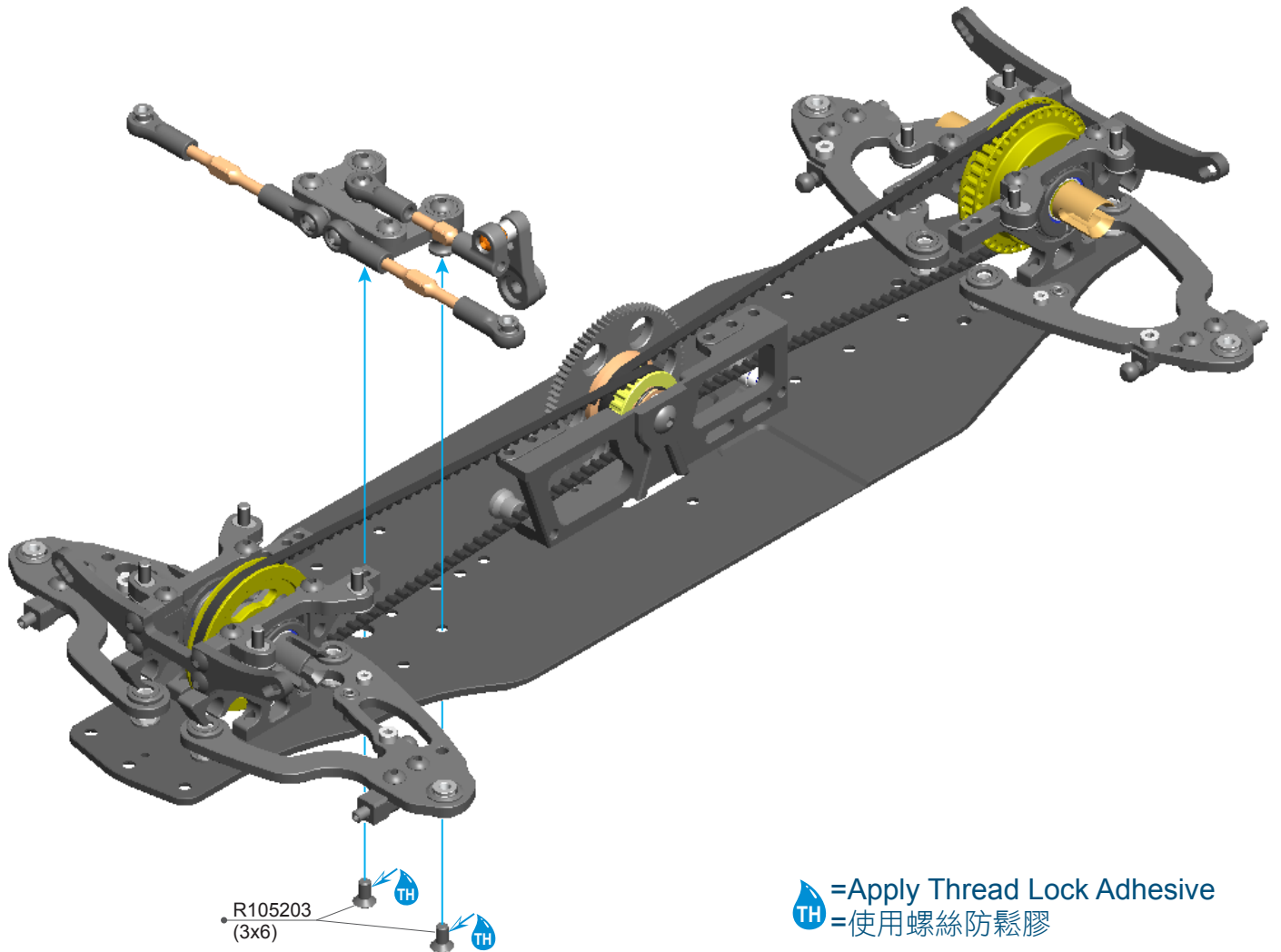
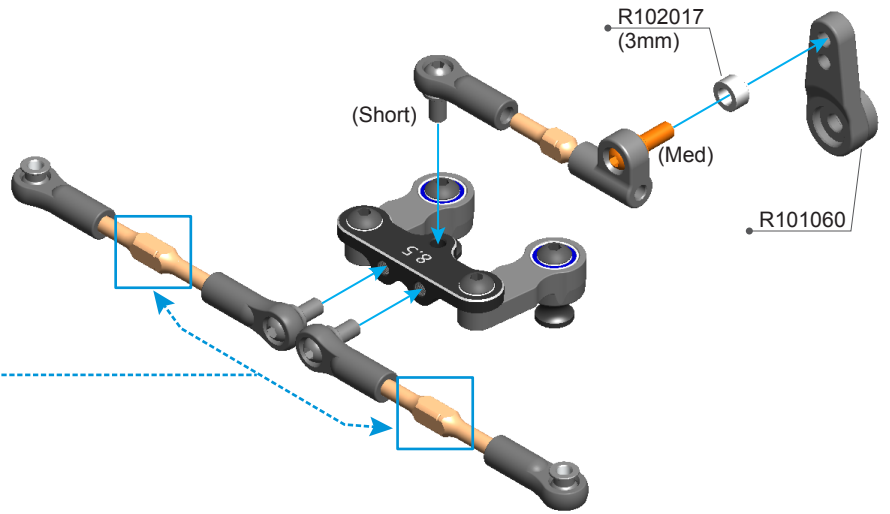
1:1 Scale

NOTICE



It is recommended to place the notch on each turnbuckle to the left side, which will make it easier to adjust camber and toe.

建議請將拉桿的缺口記號統一放置於左方，以便於調整前束角時方向會一致。



TH = Apply Thread Lock Adhesive
=使用螺絲防鬆膠

R101060 Servo Horn Dual steering arm
R102017 3X5.5X3mm Alu Shims(4pcs)

R105203 3x6mm Flat Screw (10)



R105104
3x6 Round Screw (10)



R105105
3x8 Round Screw (10)

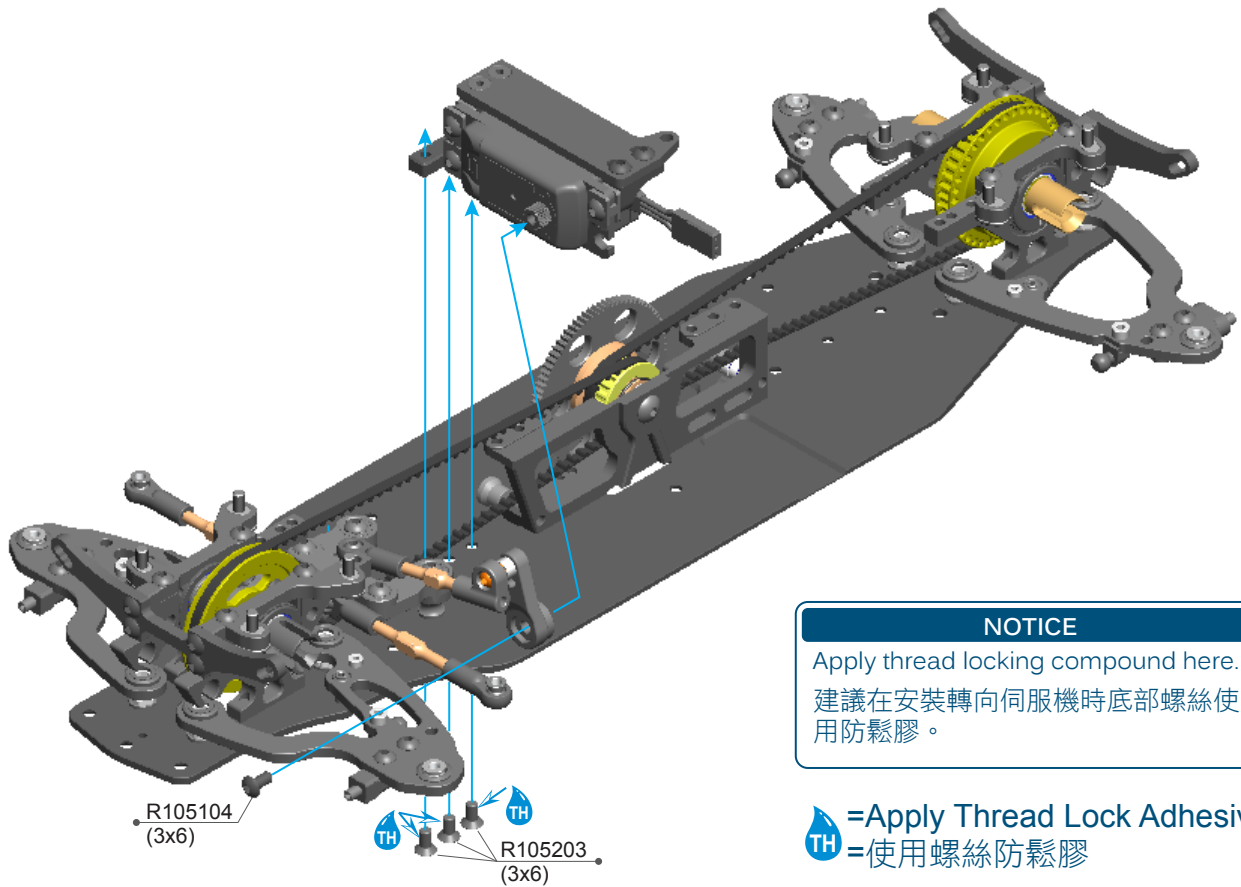
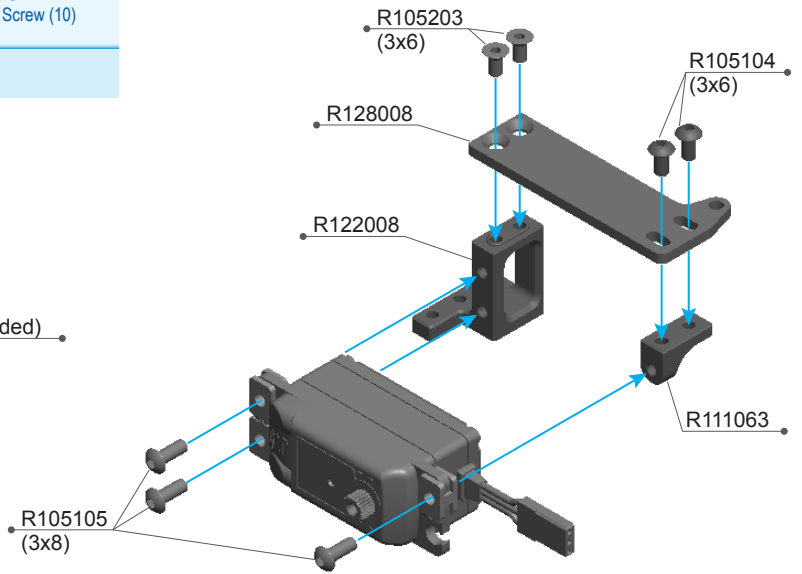
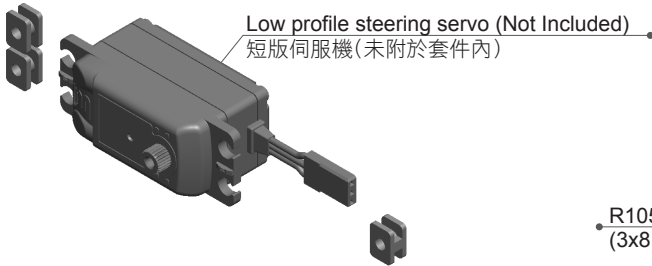


R105203
3x6mm Flat Screw (10)

1:1 Scale

NOTICE

It is recommended to use servo mount rubber.
建議安裝時使用伺服機防震膠套。



NOTICE

Apply thread locking compound here.
建議在安裝轉向伺服機時底部螺絲使用防鬆膠。

TH = Apply Thread Lock Adhesive
TH = 使用螺絲防鬆膠

R105104 3x6 Round Screw (10)
R105105 3x8 Round Screw (10)
R105203 3x6mm Flat Screw (10)

R11063 R11 Servo Mount-Left
R122008 R12 Servo Mount-Alu
R128008 R12 Servo Mount Plate



R103050
3x5x0.3mm Shims (10)



R105104
3x6 Round Screw (10)



R106001
3x6x2.5mm Ball Bearing (2)

1:1 Scale

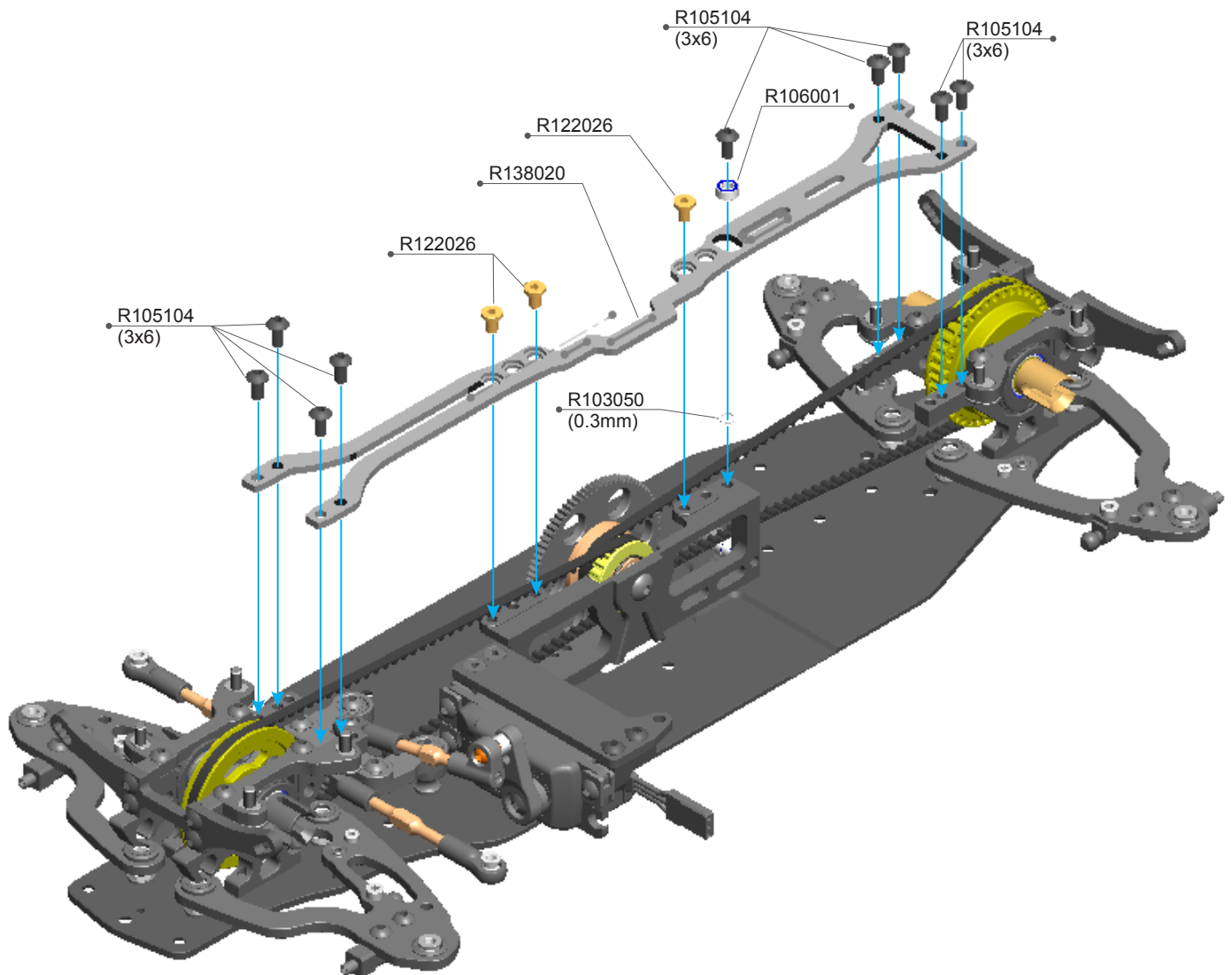
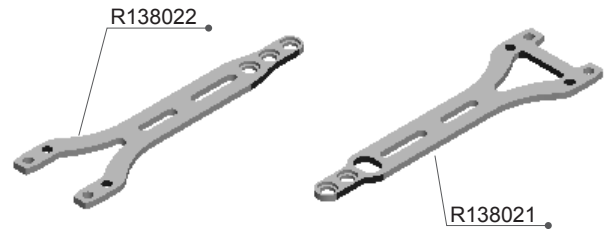
Option Parts (Not Included) / 改裝品 (未附於套件內)

R138021 A10 Rear Upper Deck

R138022 A10 Front Upper Deck

The optional 2-piece top decks are a useful tuning aid to fine tune the flex for the A10. It allows front and rear flex to be independently adjusted according to track conditions.

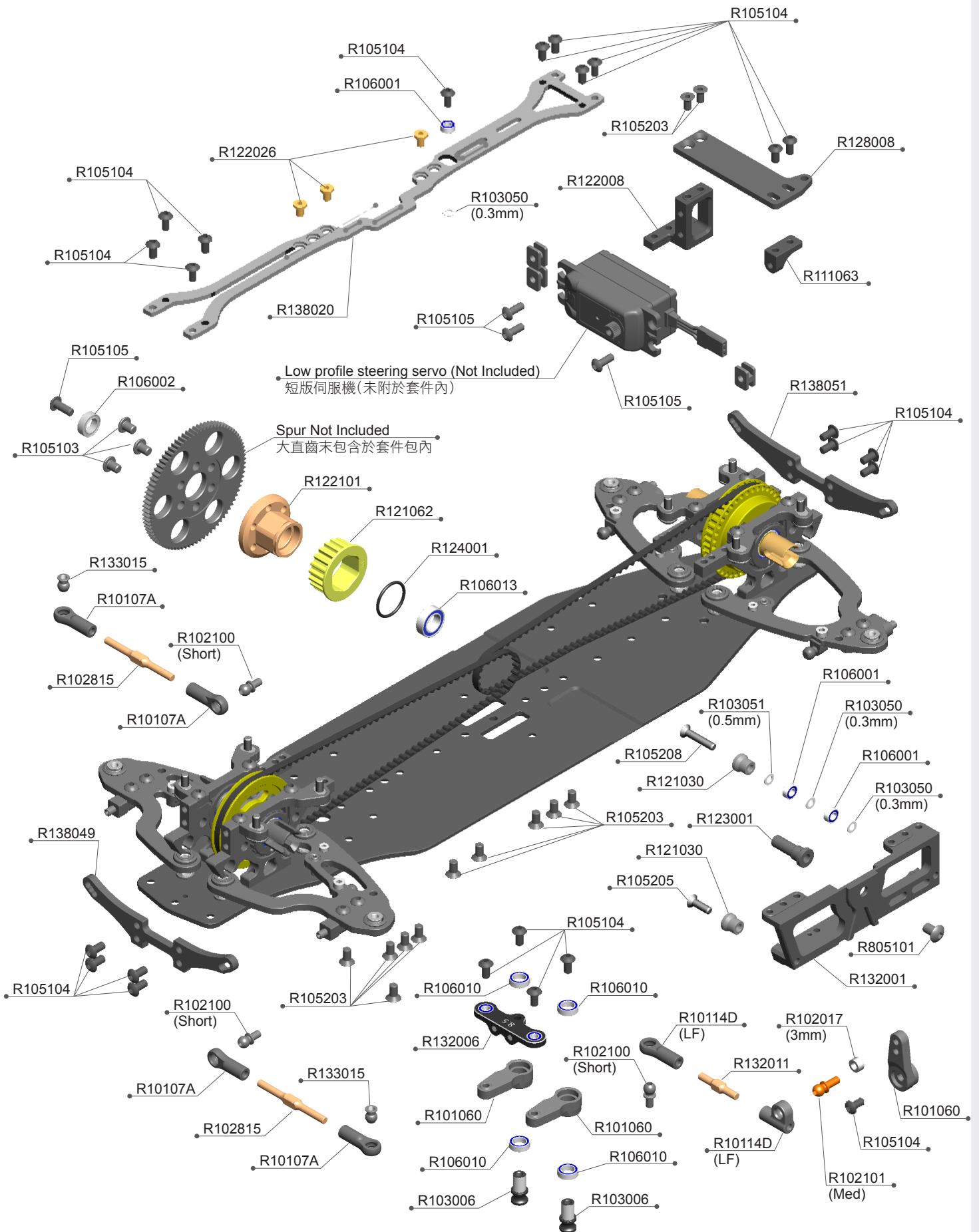
分離式的二樓板前方二樓板R138021,後方二樓板R138022 這二種改裝二樓板可以用來調整A10, 相比於原廠一片式二樓板, 分離式的前方與後方分別可以分開調整, 並可以調整到較高的硬度。



R103050 3x5x0.3mm Shims (10)
R105104 3x6 Round Screw (10)
R106001 3x6x2.5mm Ball Bearing (2)

R122026 R12 Upper Deck Screw-Titanium (3)
R138020 A10 Upper Deck 2.0mm





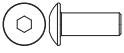





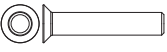



R10-23 BAG 03 PARTS EXPLODED VIEW



R10-23 BAG 03 PARTS LIST

R101060	Servo Horn Dual steering arm	R106013	6x10x3 Ball Bearing (2)
R10107A	Ball Joint 4.9mm Open (6pcs)	R111063	R11 Servo Mount-Left
R10114D	Steering Rod Ball Joint Set (LF)	R121030	R12 Eccentric Hub (4)
R102017	3X5.5X3mm Alu Shims(4pcs)	R121062	R12 Kevlar Center Pulley 20T
R102100	Alu 4.9mm Ball End Short(4pcs)	R122008	R12 Servo Mount-Alu
R102101	Alu 4.9mm Ball End Med(4pcs)	R122026	R12 Upper Deck Screw-Titanium (3)
R102815	Turnbuckle 3x37mm ALU-7075 (2pcs)	R122101	R12 Center Pulley Hub-Alu
R103006	Steering Shaft(2pcs)	R123001	R12 Spur Shaft
R103050	3x5x0.3mm Shims (10)	R124001	10x1 O'ring (4)
R103051	3x5x0.5mm Shims (10)	R128008	R12 Servo Mount Plate
R105103	3x4 Round Screw (10)	R132001	A10 Motor Bulkhead
R105104	3x6 Round Screw (10)	R132006	Steering Plate 8.5-V2
R105105	3x8 Round Screw (10)	R132011	Turnbuckle 3x23mm Alu-7075 (2)
R105203	3x6mm Flat Screw (10)	R133015	Ball Head 4.9mm +0.5 (4)
R105205	3x10mm Flat Screw (10)	R138020	A10 Upper Deck 2.0mm
R105208	3x16mm Flat Screw (10)	R138049	A10-23 Front Shock Tower
R106001	3x6x2.5mm Ball Bearing (2)	R138051	A10-23 Rear Shock Tower
R106002	5x8x2.5mm Ball Bearing /Metal Seal (4)	R805101	4x6 Round Screw (10)
R106010	5x8x2.5mm Ball Bearing (4pcs)		

1:1 SCALE

	R105103 3x4 Round Screw (10)		R102017 3x5.5x3mm Alu Shims (4)
	R105104 3x6 Round Screw (10)		R103050 3x5x0.3mm Shims (10)
	R105105 3x8 Round Screw (10)		R103051 3x5x0.5mm Shims (10)
	R105203 3x6mm Flat Screw (10)		R106001 3x6x2.5mm Ball Bearing (2)
	R105205 3x10mm Flat Screw (10)		R106002 5x8x2.5mm Ball Bearing /Metal Seal (4)
	R105208 3x16mm Flat Screw (10)		R106010 5x8x2.5mm Ball Bearing (4)
	R805101 4x6 Round Screw (10)		R106013 6x10x3mm Ball Bearing (2)

FRONT STEERING BLOCK / 前方轉向組合說明

BAG 04

R102018
3x5.5x4mm Alu Shims (4)

R133011
5x7x1.7mm Shims (2)

R106012
Low Friction Ball Bearing
5x10x4 (4)

R106101
Ø2x9.8 Pin (10)

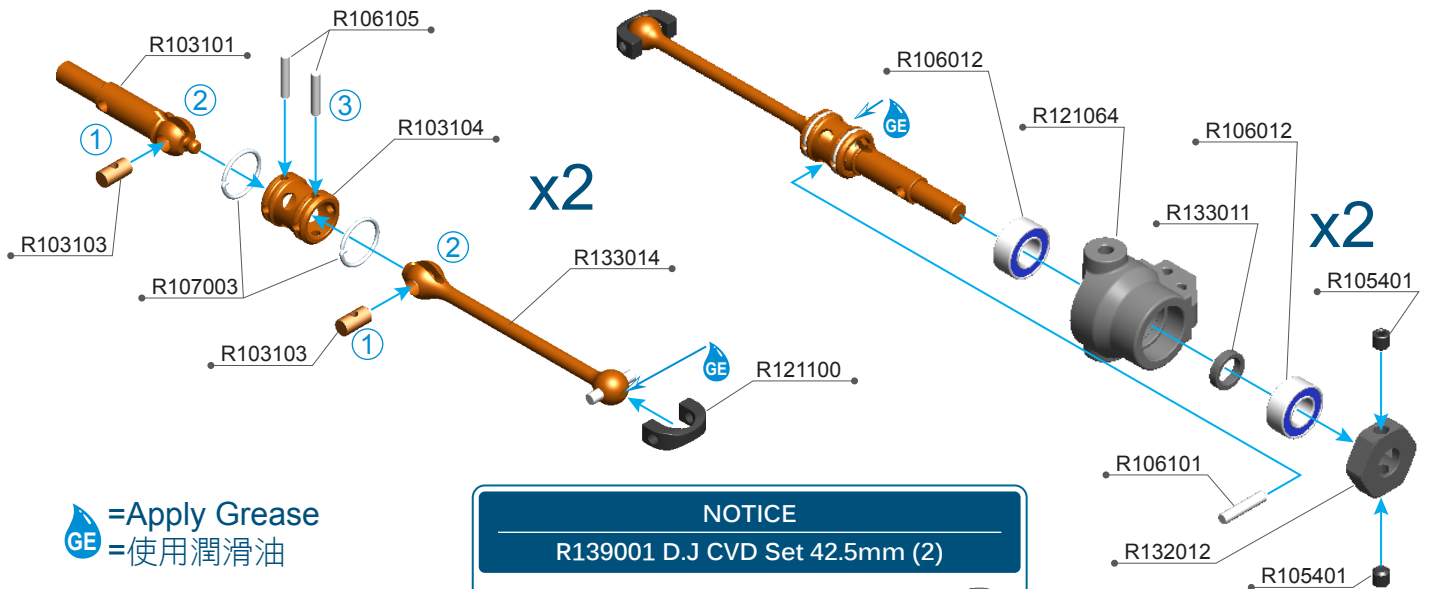
R106105
Ø1.5x8 Pin (10)

R105401
3x3mm Set Screw (10)

R105404
3x10mm Set Screw (10)

R805299
2.5x6mm Cap Screw (10)

1:1 Scale



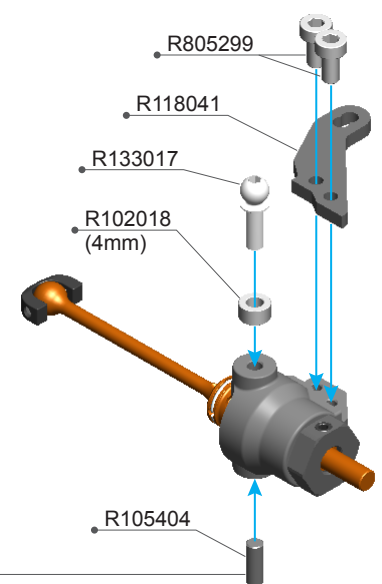
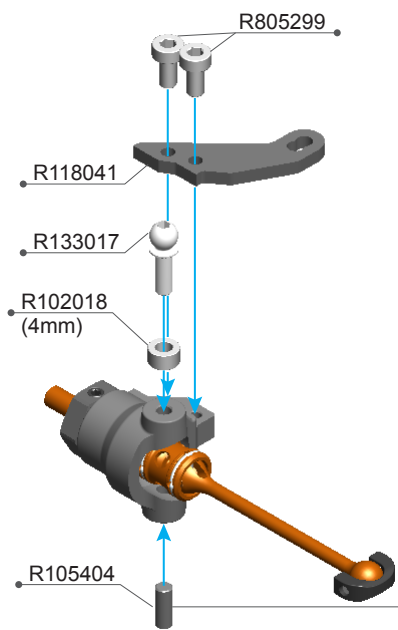
=Apply Grease
=使用潤滑油

NOTICE
R139001 D.J CVD Set 42.5mm (2)

Front 42.5 D.J CVD x2

NOTICE
Please refer to the below diagram to set the R105404 3x10 set screw to the correct length.
請依圖示調整R105404 3X10mm 無頭螺絲的長度。

5.2mm



R102018 3X5.5X4mm Alu Shims(4pcs)
R103101 D.J CVD Wheel Shaft (1pcs)
R103103 D.J CVD Insert(2pcs)
R103104 D.J CVD Joint (1pcs)
R105401 3x3mm Set Screw (10)
R105404 3x10mm Set Screw (10)
R106012 Low Friction Ball Bearing 5x10x4 (4pcs)
R106101 2x9.8mm Pin (10pcs)
R106105 1.5x8mm Pin (10pcs)

R107003 D.J CVD G-Clip(8pcs)
R118041 R11 Steering Plate-Std (2)
R121064 R12 Steering Block-Hard
R121100 C Cap V2 (16pcs)
R132012 Zero Play Hex Hub (-0.75mm) (2)
R133011 5x7x1.7mm Ring (4)
R133014 D.J CVD Shaft 42.5mm (2)
R133017 Titanium 4.85mm Ball End (2)
R805299 2.5x6mm Cap Screw (10)

REAR STEERING BLOCK / 後方轉向組合說明

BAG 04

R102018
3x5.5x4mm Alu Shims (4)

R133011
5x7x1.7mm Shims (2)

R106012
Low Friction Ball Bearing
5x10x4 (4)

R106101
Ø2x9.8 Pin (10)

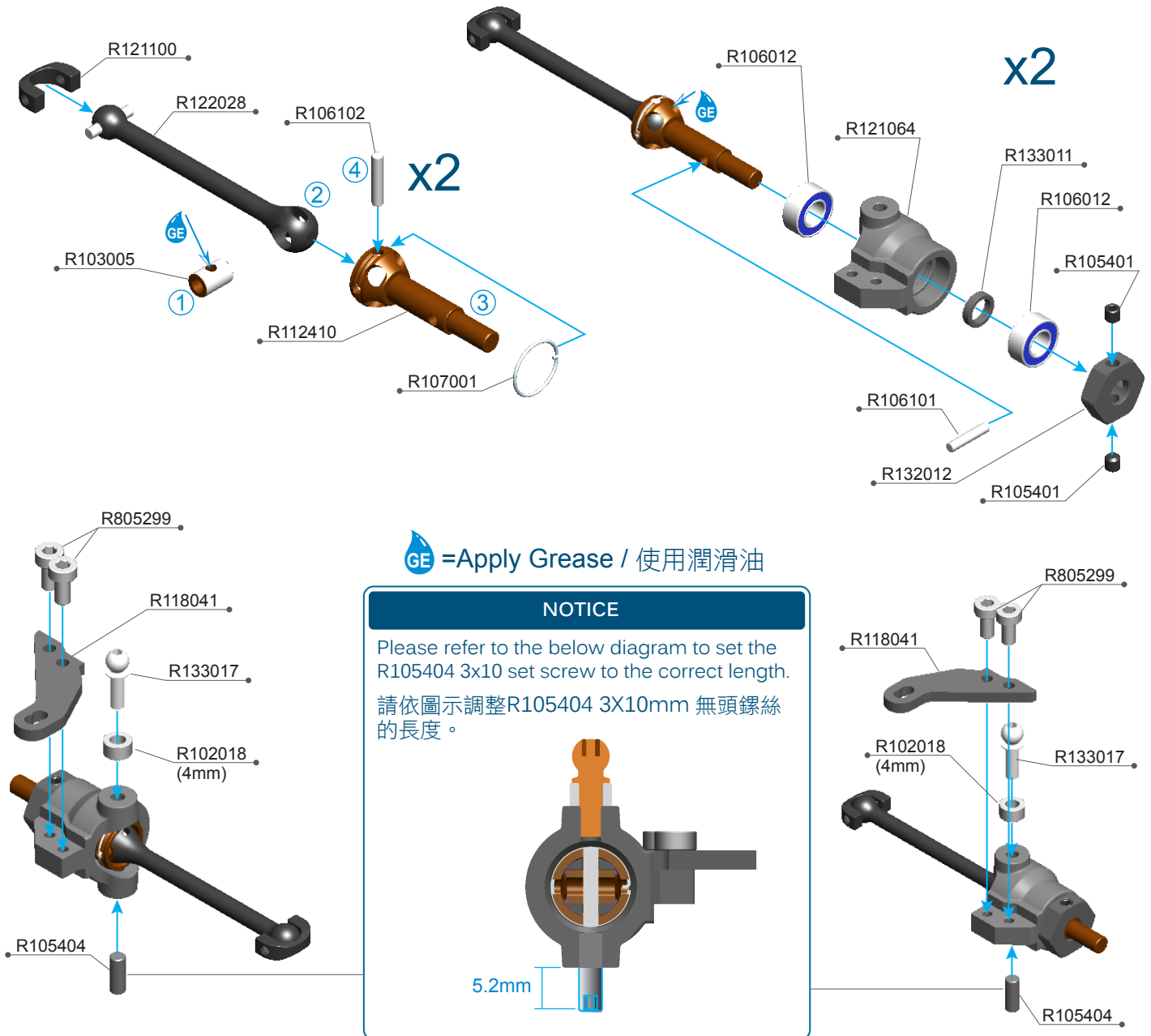
R106102
Ø2x10 Pin (10)

R105401
3x3mm Set Screw (10)

R105404
3x10mm Set Screw (10)

R805299
2.5x6mm Cap Screw (10)

1:1 Scale



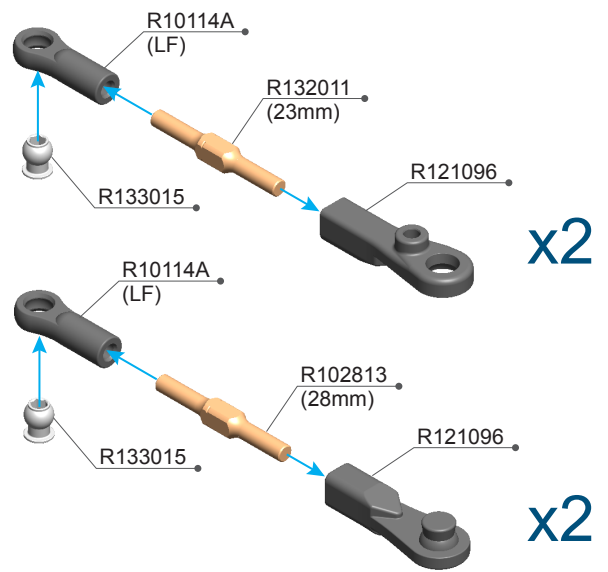
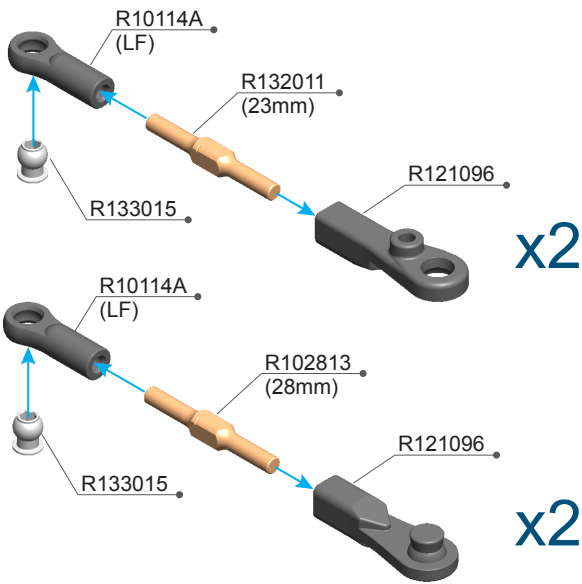
R102018 3X5.5X4mm Alu Shims(4pcs)
R103005 CVD Insert(2pcs)
R105401 3x3mm Set Screw (10)
R105404 3x10mm Set Screw (10)
R106012 Low Friction Ball Bearing 5x10x4 (4pcs)
R106101 2x9.8mm Pin (10pcs)
R106102 2x10mm Pin (10pcs)
R107001 CVD G-Clip(8pcs)
R112410 Wheel Axle -Alu (2)

R118041 R11 Steering Plate-Std (2)
R121064 R12 Steering Block-Hard
R122028 CVD-Alu 44mm
R132012 Zero Play Hex Hub (-0.75mm) (2)
R133011 5x7x1.7 Steel Ring (2)
R133017 Titanium 4.85mm Ball End (2)
R805299 2.5x6mm Cap Screw (10)

FRONT / 前連桿

REAR / 後連桿

BAG 04

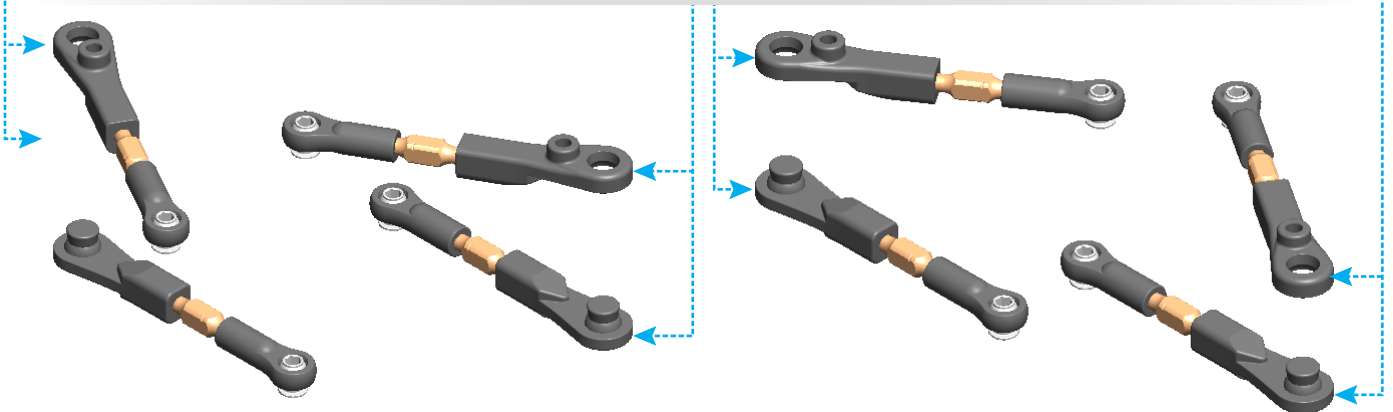


NOTICE

FRONT / 前連桿

REAR / 後連桿

Press top and bottom ball ends together with even pressure / 請上下平均壓入來組合此球頭

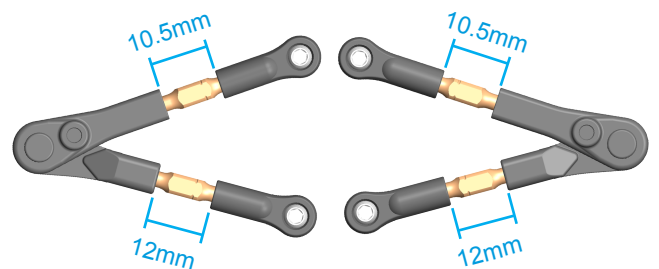
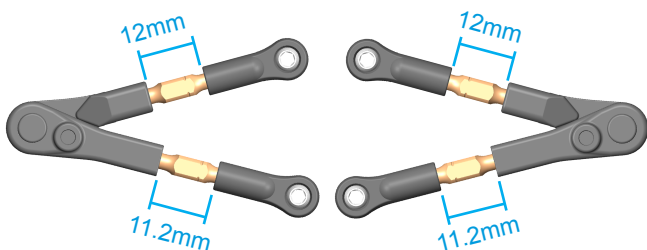


FRONT END / 車頭方向

FRONT / 前連桿

Initial Setup / 起始設定

REAR / 後連桿



R10114A Ball Joint 4.9mm Open 6pcs (LF)
 R102813 Turnbuckle 3x28mm ALU-7075 (2pcs)
 R121096 Upper A-Arm V3 (2)

R132011 Turnbuckle 3x23mm Alu-7075 (2)
 R133015 Ball Head 4.9mm +0.5 (4)



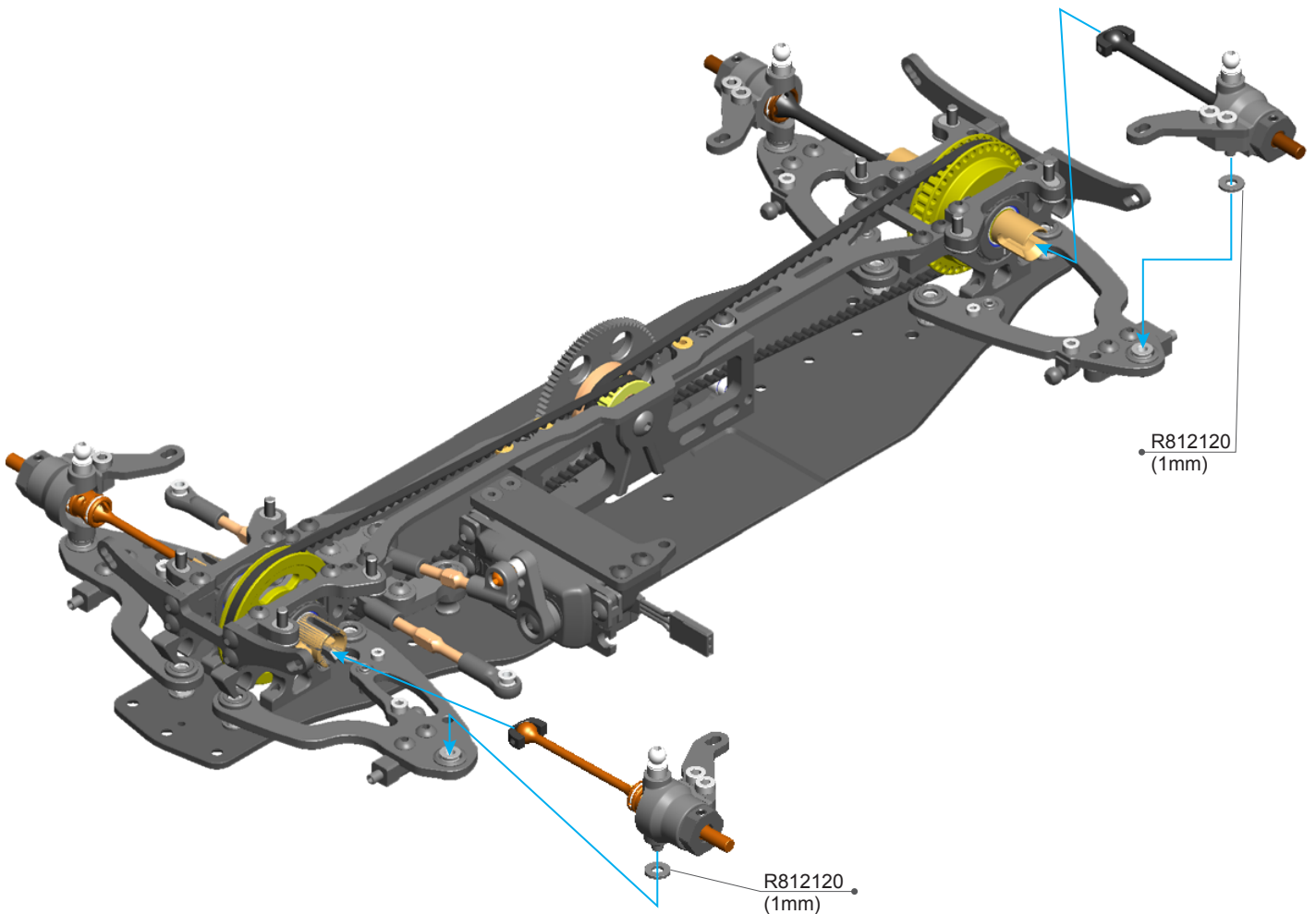
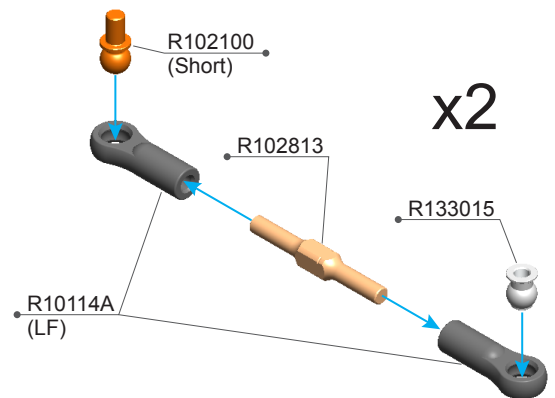
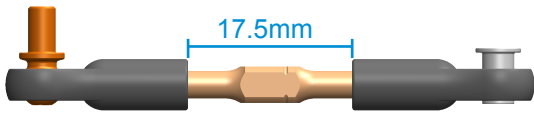
R812120
3x7x1mm Alu Shims (8)

1:1 Scale

Rear Toe linkage length / 後連桿長度

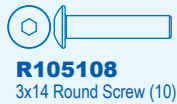
Set the Rear Toe linkage length to 17.5mm. With 2mm shims on the Rear Toe steering block, this will provide 3 degree rear toe at normal ride height.

後連桿長度預設為17.5mm，此時後前束角為3度。



R10114A Ball Joint 4.9mm Open 6pcs (LF)
R102100 Alu 4.9mm Ball End Short(4pcs)
R102813 Turnbuckle 3x28mm ALU-7075 (2pcs)

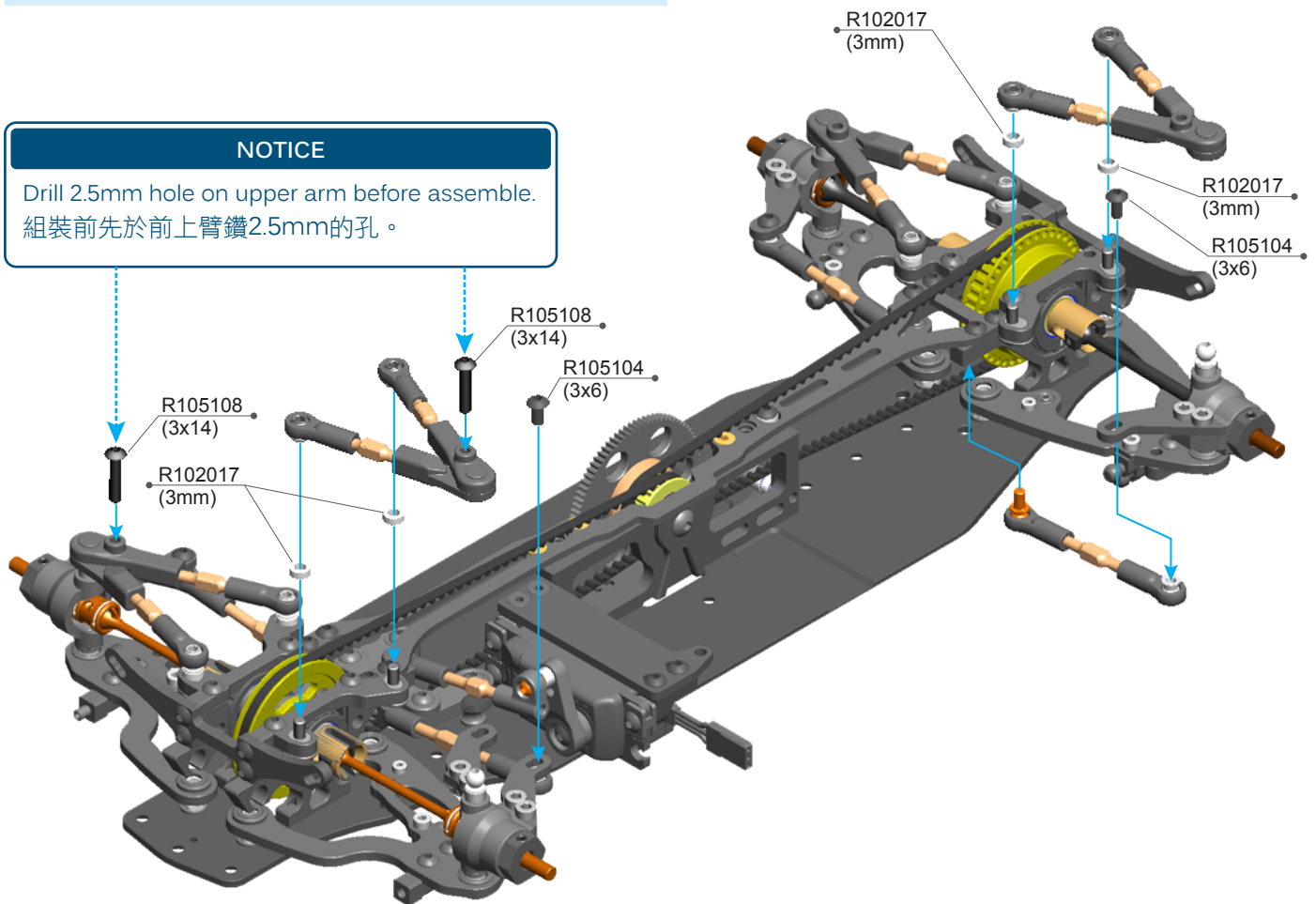
R133015 Ball Head 4.9mm +0.5 (4)
R812120 3x7x1mm Alu Shims (8)



1:1 Scale

NOTICE

Drill 2.5mm hole on upper arm before assemble.
組裝前先於前上臂鑽2.5mm的孔。



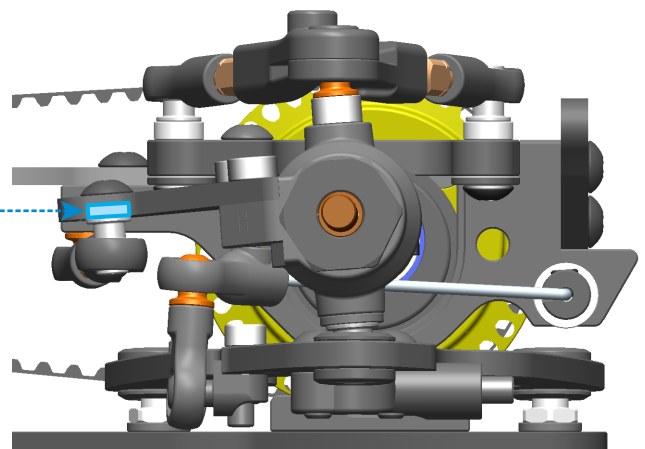
NOTICE

Rear Toe Linkage Setup Instruction / 後連桿設定說明

The rear toe angle can be set up by adjusting the rear toe linkage, the rear toe angle will be different when the rear ride height changes. the default setup with 0mm shims, the rear toe will increase 0.5 degree when rear ride height at 0mm.

後前束角的角度可以用後前束角連桿來調整，後前束角的變化量可以用墊片來做調整，預設是不用墊片(0mm)，後前束角的變化量是0.5度。

Rear Toe Shim Thickness 後連桿墊片厚度	Toe Angle Increase 後前束角變化量
0mm	0.5°
1mm	1.0°
2mm	1.5°



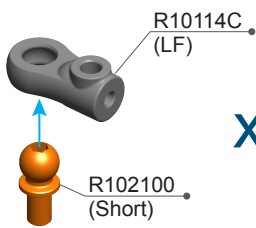
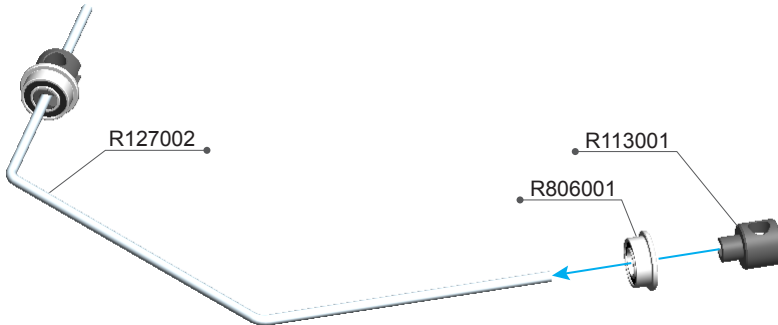
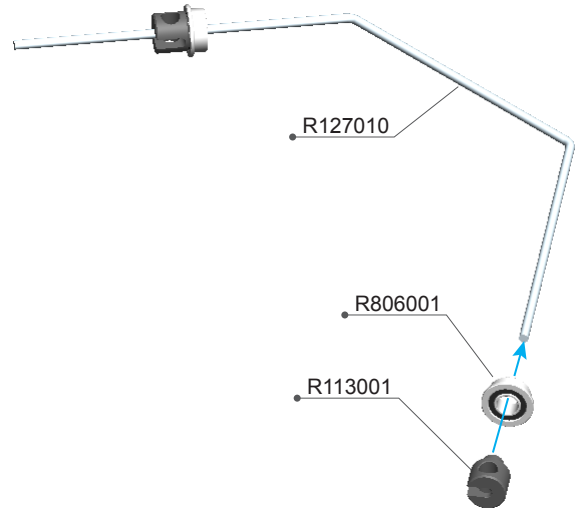
R102017 3X5.5X3mm Alu Shims(4pcs)
R105104 3x6 Round Screw (10)

R105108 3x14 Round Screw (10)

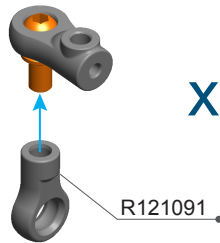
R105401
3x3mm Set Screw (10)

R806001
3x6x2.5mm Flange Ball Bearing (2)

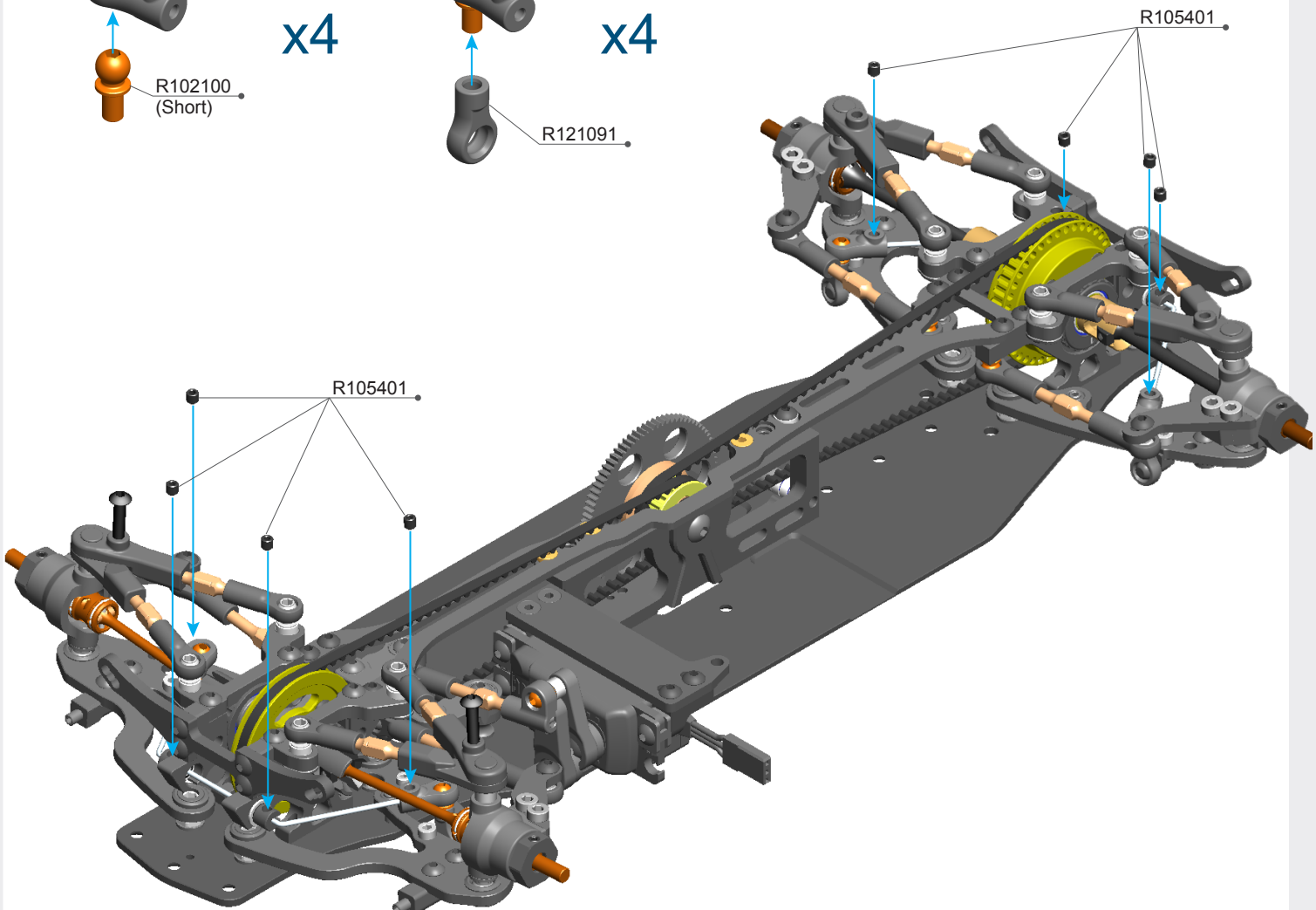
1:1 Scale



x4



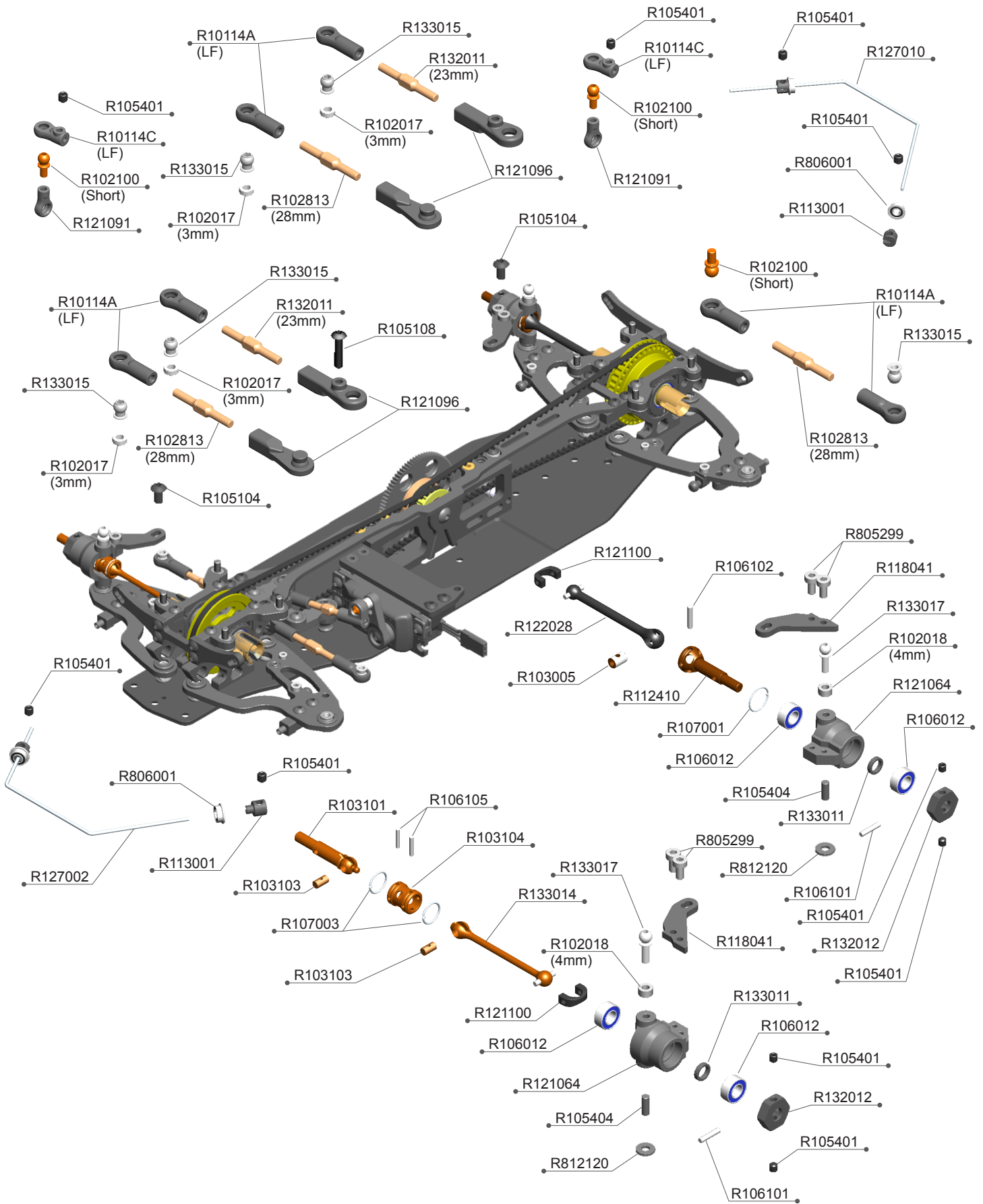
x4



R10114C Anti Roll Bar Joint 4pcs (LF)
R102100 Alu 4.9mm Ball End Short(4pcs)
R105401 3x3mm Set Screw (10)
R113001 Anti-Roll Bar Holder (2)

R121091 Ball End 4.9mm Ex-Short (4)
R127002 R12 Front Anti-Roll Bar 1.3mm
R127010 R12 Rear Anti-Roll Bar 1.3mm
R806001 3x6x2.5 Flange Ball Bearing (2)



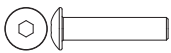



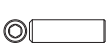







R10-23 BAG 04 PARTS EXPLODED VIEW

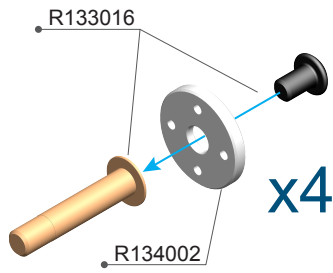


R10-23 BAG 04 PARTS LIST

R10114A	Ball Joint 4.9mm Open 6pcs (LF)	R112410	Wheel Axle -Alu (2)
R10114C	Anti Roll Bar Joint 4pcs (LF)	R113001	Anti-Roll Bar Holder (2)
R102017	3X5.5X3mm Alu Shims(4pcs)	R118041	R11 Steering Plate-Std (2)
R102018	3x5.5x4mm Alu Shims(4pcs)	R121064	R12 Steering Block-Hard
R102100	Alu 4.9mm Ball End Short(4pcs)	R121091	Ball End 4.9mm Ex-Short (4)
R102813	Turnbuckle 3x28mm ALU-7075 (2pcs)	R121096	Upper A-Arm V2 (2)
R103005	CVD Insert(2pcs)	R121100	C Cap V2 (16pcs)
R103101	D.J CVD Wheel Shaft (1pcs)	R122028	CVD-Alu 44mm
R103103	D.J CVD Insert(2pcs)	R127002	R12 Front Anti-Roll Bar 1.3mm
R103104	D.J CVD Joint (1pcs)	R127010	R12 Rear Anti-Roll Bar 1.3mm
R105104	3x6 Round Screw (10)	R132011	Upper A-Arm V2 (3)
R105108	3x14 Round Screw (10)	R132012	Zero Play Hex Hub (-0.75mm) (2)
R105401	3x3mm Set Screw (10)	R133011	5x7x1.7 Steel Ring (2)
R105404	3x10mm Set Screw (10)	R133014	D.J CVD Shaft 42.5mm (2)
R106012	Low Friction Ball Bearing 5x10x4 (4pcs)	R133015	Ball Head 4.9mm +0.5 (4)
R106101	2x9.8mm Pin (10pcs)	R133017	Titanium 4.85mm Ball End (2)
R106102	2x10mm Pin (10pcs)	R139001	D.J CVD Set 42.5mm (2)
R106105	1.5x8mm Pin (10pcs)	R805299	2.5x6mm Cap Screw (10)
R107001	CVD G-Clip(8pcs)	R806001	3x6x2.5 Flange Ball Bearing (2)
R107003	D.J CVD G-Clip(8pcs)	R812120	3x7x1mm Alu Shims (8)

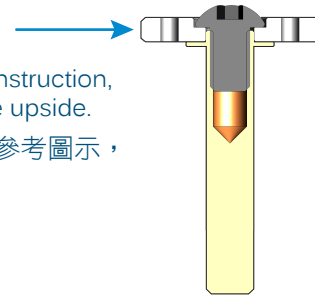
1:1 SCALE

	R105104 3x6 Round Screw (10)		R102017 3x5.5x3mm Alu Shims (4)
	R105108 3x14 Round Screw (10)		R102018 3x5.5x4mm Alu Shims (4)
	R105401 3x3mm Set Screw (10)		R133011 5x7x1.7mm Shims (2)
	R105404 3x10mm Set Screw (10)		R812120 3x7x1mm Alu Shims (8)
	R106101 Ø2x9.8 Pin (10)		R106012 Low Friction Ball Bearing 5x10x4
	R106102 Ø2x10 Pin (10)		R806001 3x6x2.5mm Flange Ball Bearing (2)
	R106105 Ø1.5x8 Pin (10)		
	R805299 2.5x6mm Cap Screw (10)		

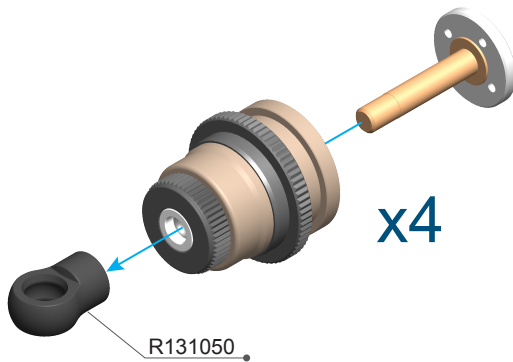
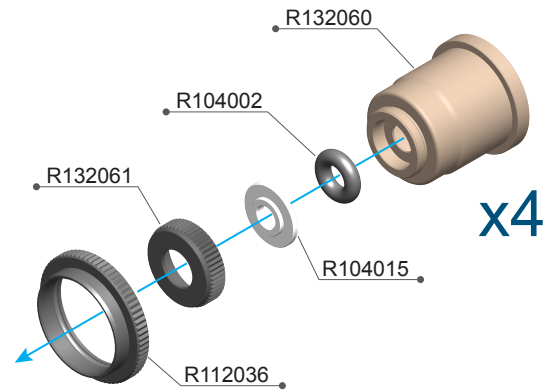
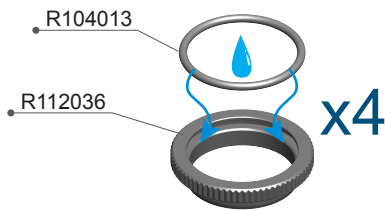


NOTICE

The shock piston as instruction, the sink area is on the upside.
避震器活塞的方向請參考圖示，內凹的平面向上。

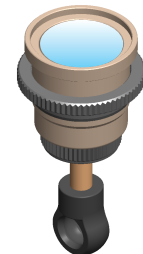


Apply shock oil before assembly
請塗抹少許的避震油於O型環上

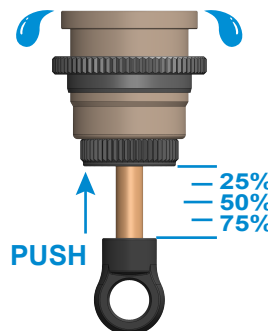
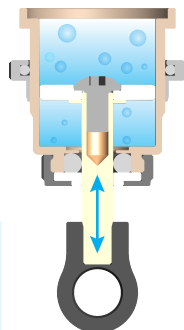


Silicone Oil #350

Fill the shock oil to the top of the shock body
將矽油填滿整個桶身。



Move the shaft up and down to let the air escape from the oil
上下移動活塞來將空氣排出。

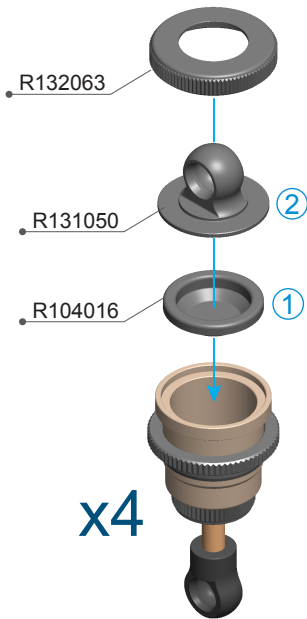


To adjust the rebound amount of the shock, push the shock shaft in to the required level to remove excess oil during assembly.

將活塞回推到設定的回彈位置後，再將氣室放入並將多餘的油排除。

- R104002 O'ring 3x2(4pcs)
- R104013 O'ring 13x1 (2pcs)
- R104015 Shock Shaft Shim Big Bore (4pcs)
- R112036 Shock Adj Nut-Ultra Short (2)
- R131050 X-Low Shock Ball End Set

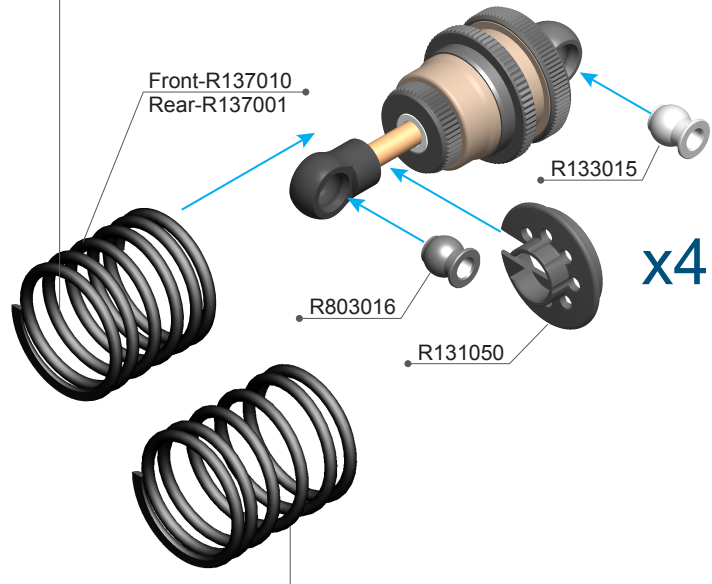
- R132060 X-Low Shock Body (2)
- R132061 X-Low Shock Low Cap (2)
- R133016 X-Low Shock Shaft (2)
- R134002 X-Low Shock Piston 1.1mm x4 (2)



NOTICE

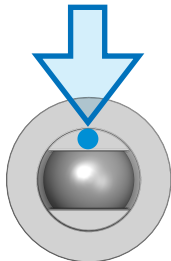
The kit spring using X-Low spring 17mm
 Front spring R137010 X-Low Spring C2.4-C2.7 17mm (White) (2)
 Rear Spring R137001 X-Low Spring C2.5 17mm (Blue) (2)

套件內所附的彈簧為X-Low 避震器專用的長度17mm 彈簧
 前彈簧為R137010 C2.4-C2.7 白色
 後彈簧為R137001 C2.5 藍色



NOTICE

Drill the hole before assemble the ball head
 請於安裝球頭前預先鑽孔



Drill the shock cap here to help provide zero rebound and softer dampening (optional setting).

上球頭有預留鑽孔的記號，可選擇是否打通，在鑽孔打通後可減少氣室回彈的力道。

NOTICE

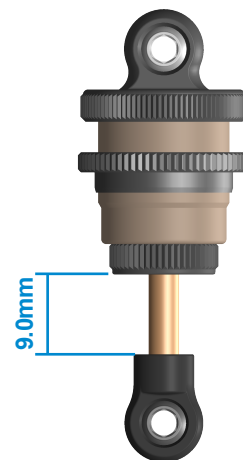
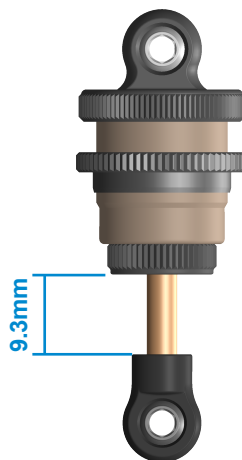
All ARC 20mm Shock springs can install on the X-Low shock.
 所有ARC的20mm長度規格的彈簧均可以使用在X-Low 避震器上。

NOTICE

Set the shock initial length as below / 請將避震器的起始長度如圖示設置

Front / 前

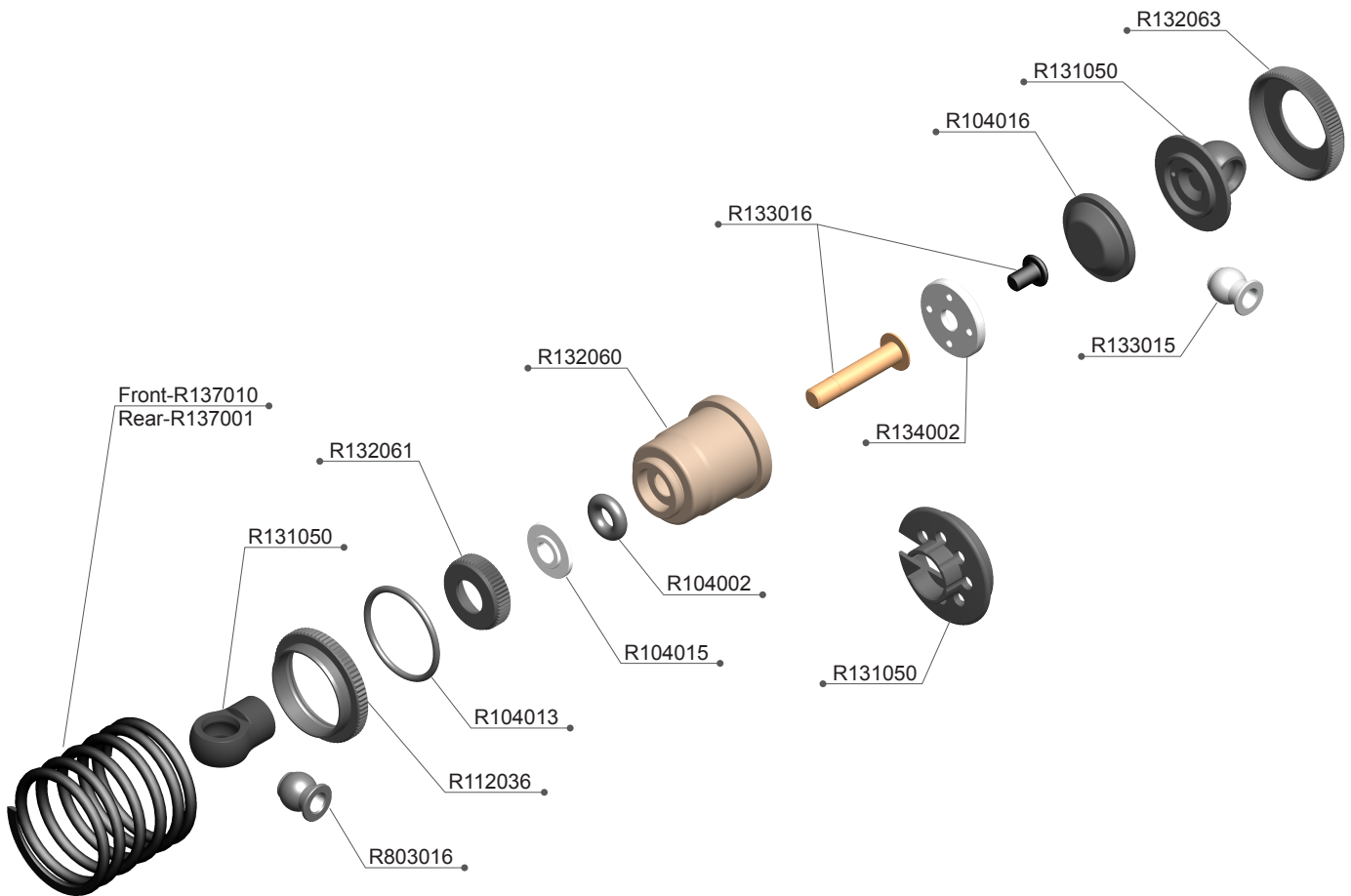
Rear / 後



R104016 Shock Membrane Big Bore (4pcs)
 R131050 X-Low Shock Ball End Set
 R132063 X-Low Shock Cap (2)
 R133015 Ball Head 4.9mm +0.5 (4)

R137001 X-Low Spring C2.5 17mm (Blue) (2)
 R137010 X-Low Spring C2.4-C2.7 17mm (White) (2)
 R803016 Ball Head 4.9mm (4)

A10-23 BAG 05 PARTS EXPLODED VIEW



A10-23 BAG 05 PARTS LIST

R104002	O'ring 3x2(4pcs)	R132063	X-Low Shock Cap (2)
R104013	O'ring 13x1 (2pcs)	R133015	Ball Head 4.9mm +0.5 (4)
R104015	Shock Shaft Shim Big Bore (4pcs)	R133016	X-Low Shock Shaft (2)
R104016	Shock Membrane Big Bore (4pcs)	R134002	X-Low Shock Piston 1.1mm x4 (2)
R112036	Shock Adj Nut-Ultra Short (2)	R137001	X-Low Spring C2.5 17mm (Blue) (2)
R131050	X-Low Shock Ball End Set	R137010	X-Low Spring C2.4-C2.7 17mm (White) (2)
R132060	X-Low Shock Body (2)	R139010	X-Low Shock Set
R132061	X-Low Shock Low Cap (2)	R803016	Ball Head 4.9mm (4)



R105204
3x8mm Flat Screw (10)

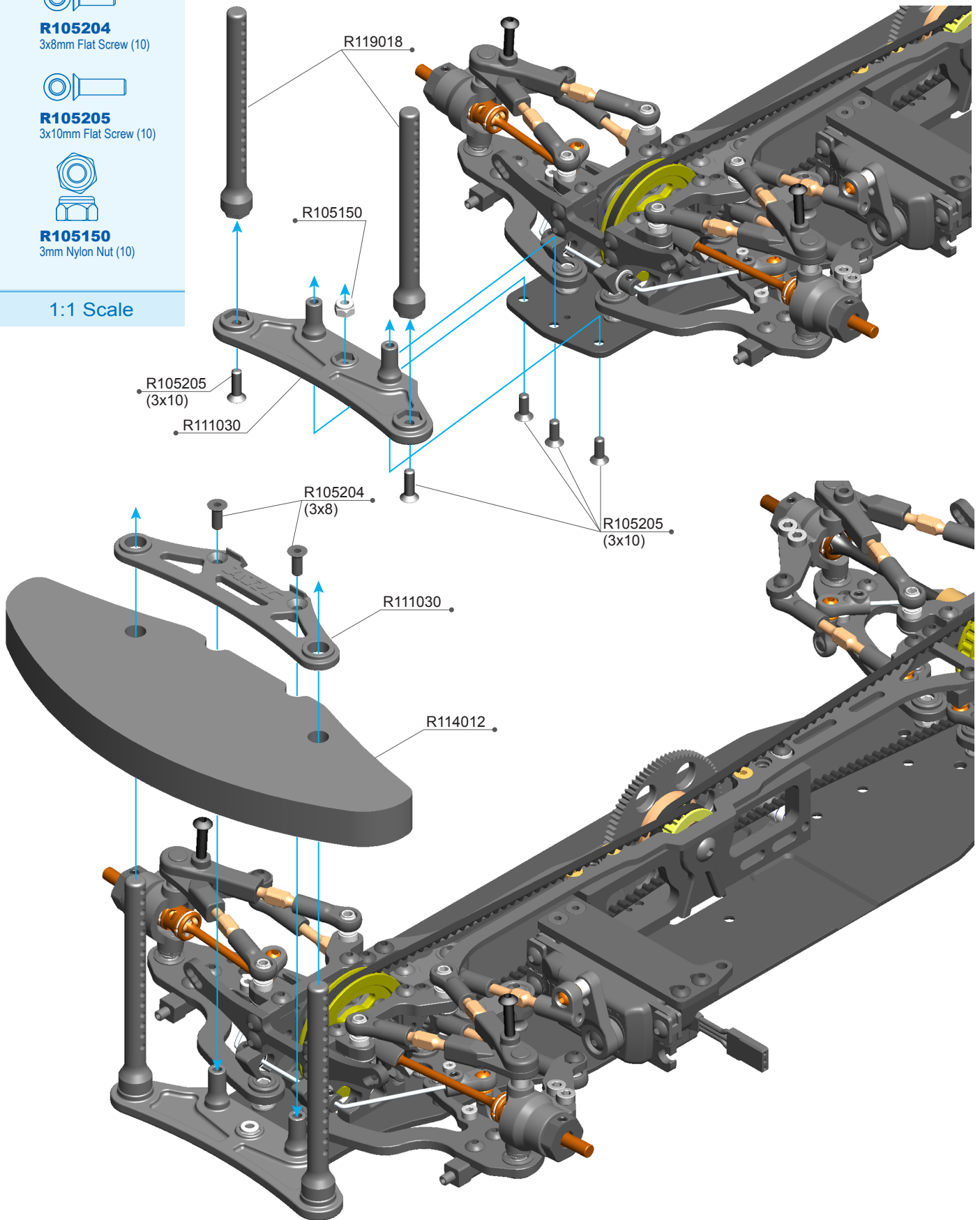


R105205
3x10mm Flat Screw (10)



R105150
3mm Nylon Nut (10)

1:1 Scale



R105150 3mm Nylon Nut (10)
R105204 3x8mm Flat Screw (10)
R105205 3x10mm Flat Screw (10)

R111030 R11 2019 Bumper Set
R114012 R11 2019 Foam Bumper-HARD
R119018 R11 Body Mount Set

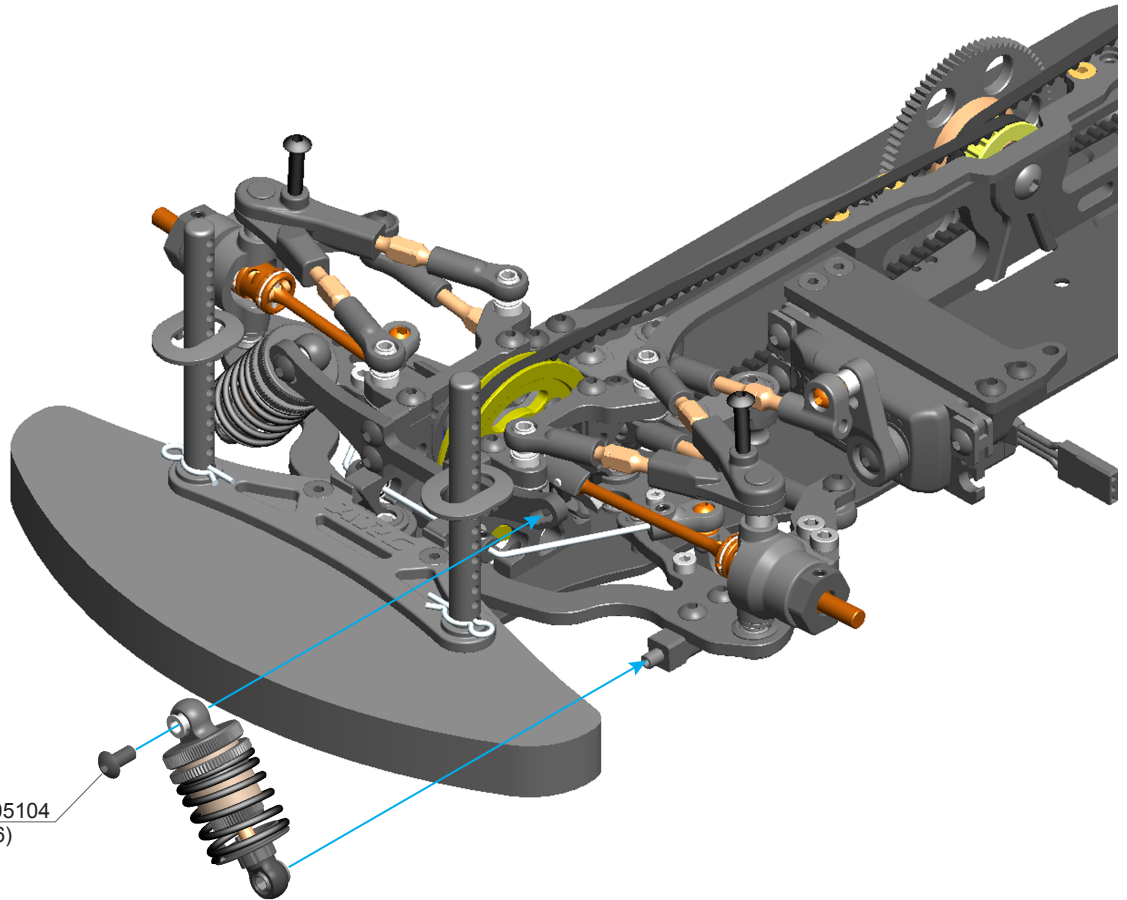
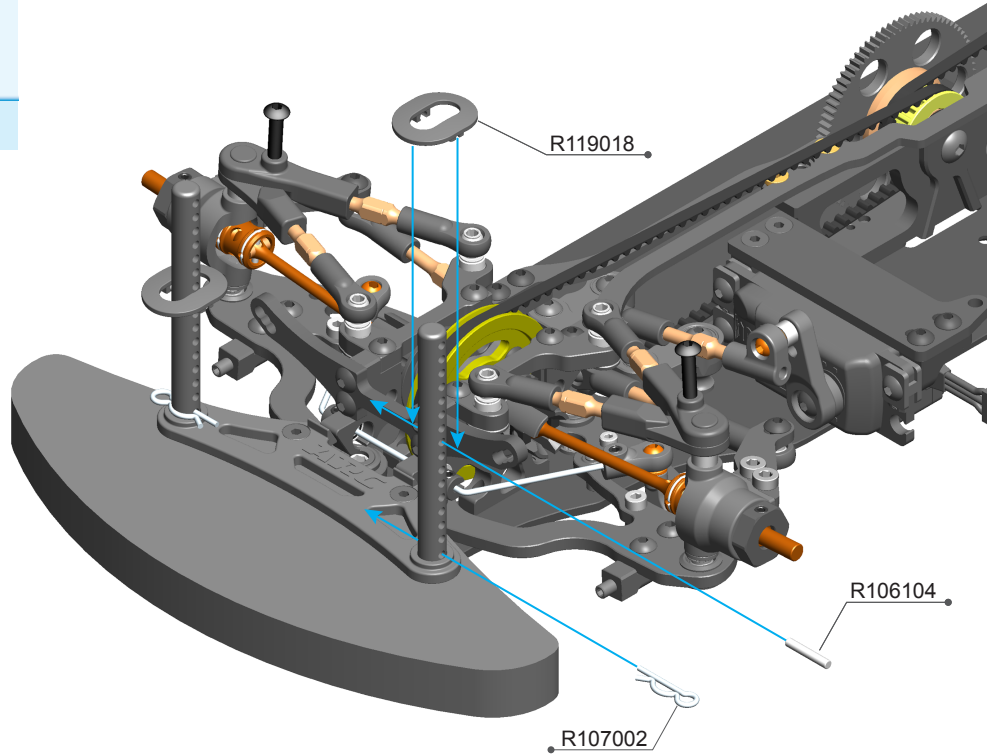


R105104
3x6 Round Screw (10)



R106104
Ø2x11.8 Pin (10)

1:1 Scale



R105104 3x6 Round Screw (10)
R106104 2x11.8mm Pin (10pcs)

R107002 R-Clip(8pcs)
R119018 R11 Body Mount Set

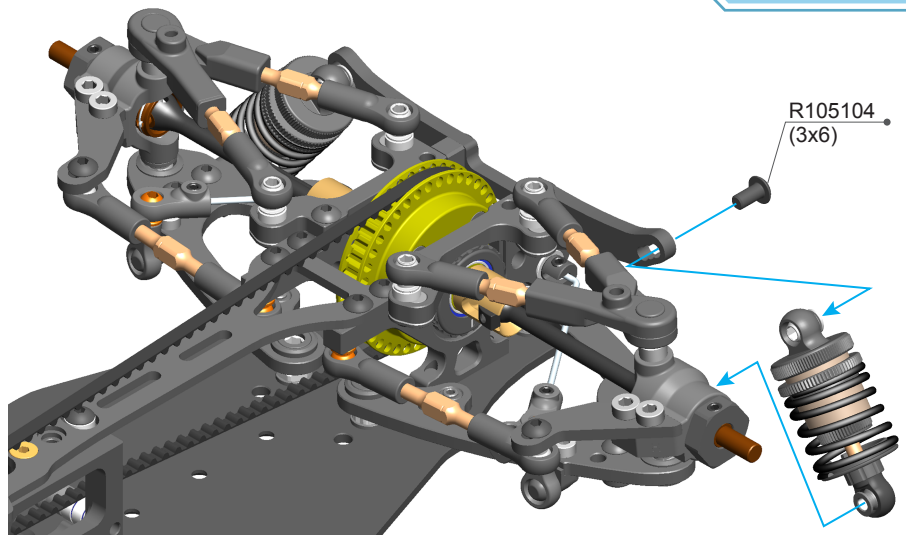
R105104
3x6 Round Screw (10)

R105105
3x8 Round Screw (10)

R105106
3x10 Round Screw (10)

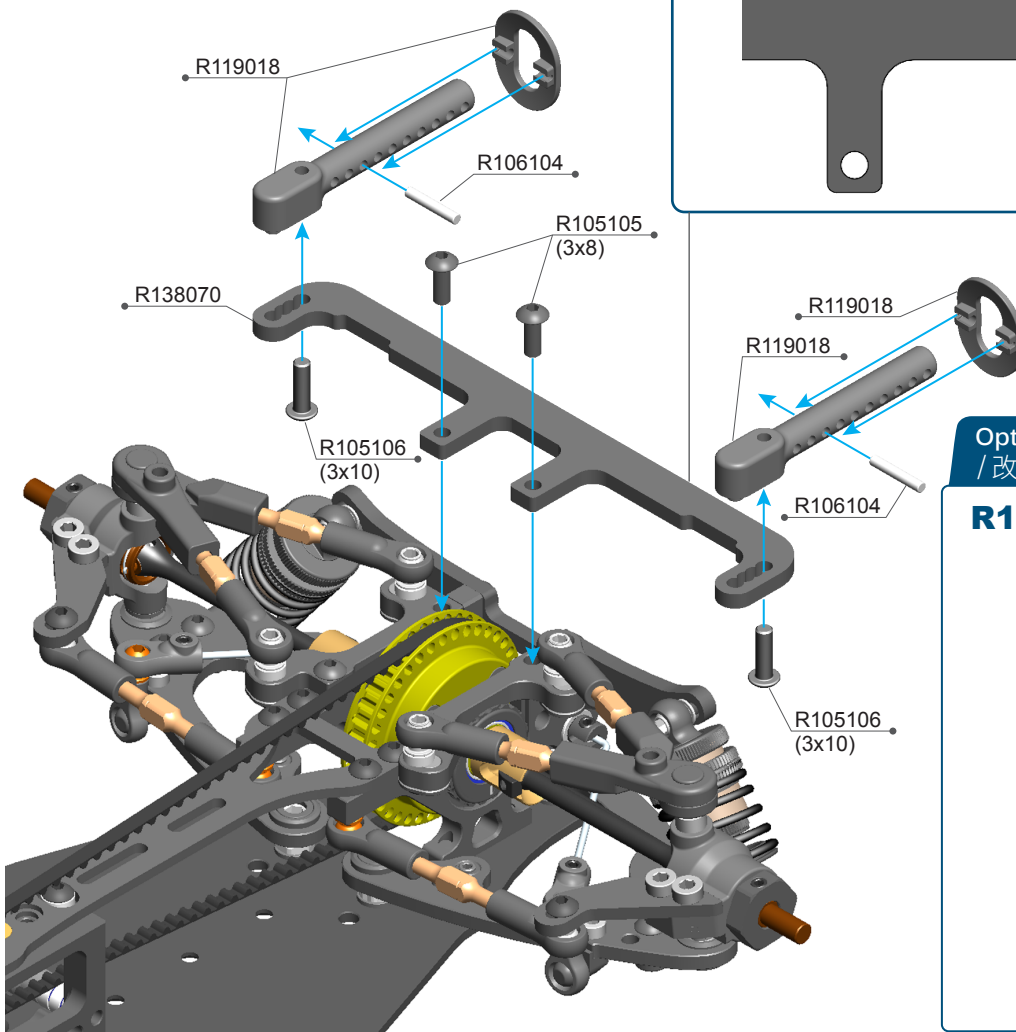
R106104
Ø2x11.8 Pin (10)

1:1 Scale



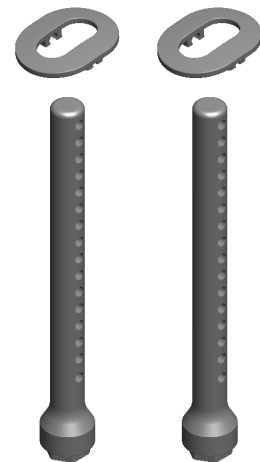
NOTICE

Recommend initial hole for R119018 front body tower.
當使用R119018 前車殼柱時請使用此預設的孔位。



Option Parts (Not Included)
/ 改裝品 (未附於套件內)

R119018 R11 Body Mount Set



R105104 3x6 Round Screw (10)
R105105 3x8 Round Screw (10)
R105106 3x10 Round Screw (10)

R106104 2x11.8mm Pin (10pcs)
R119018 R11 Body Mount Set
R138070 A10-23 Rear Body Tower Plate



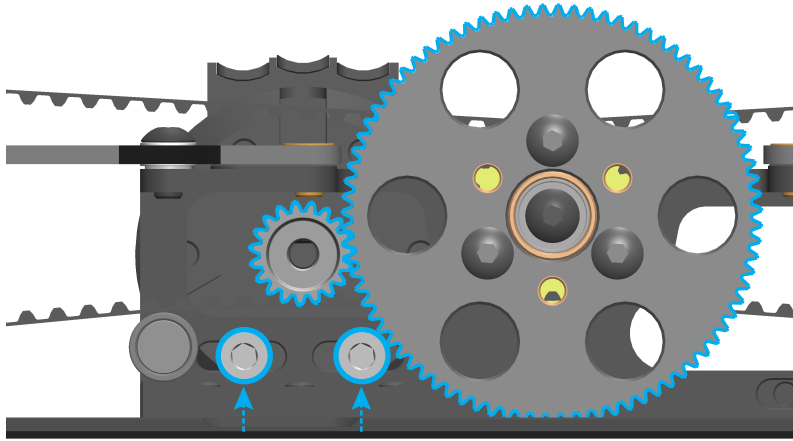
R105300
3x6mm Cap Screw (10)



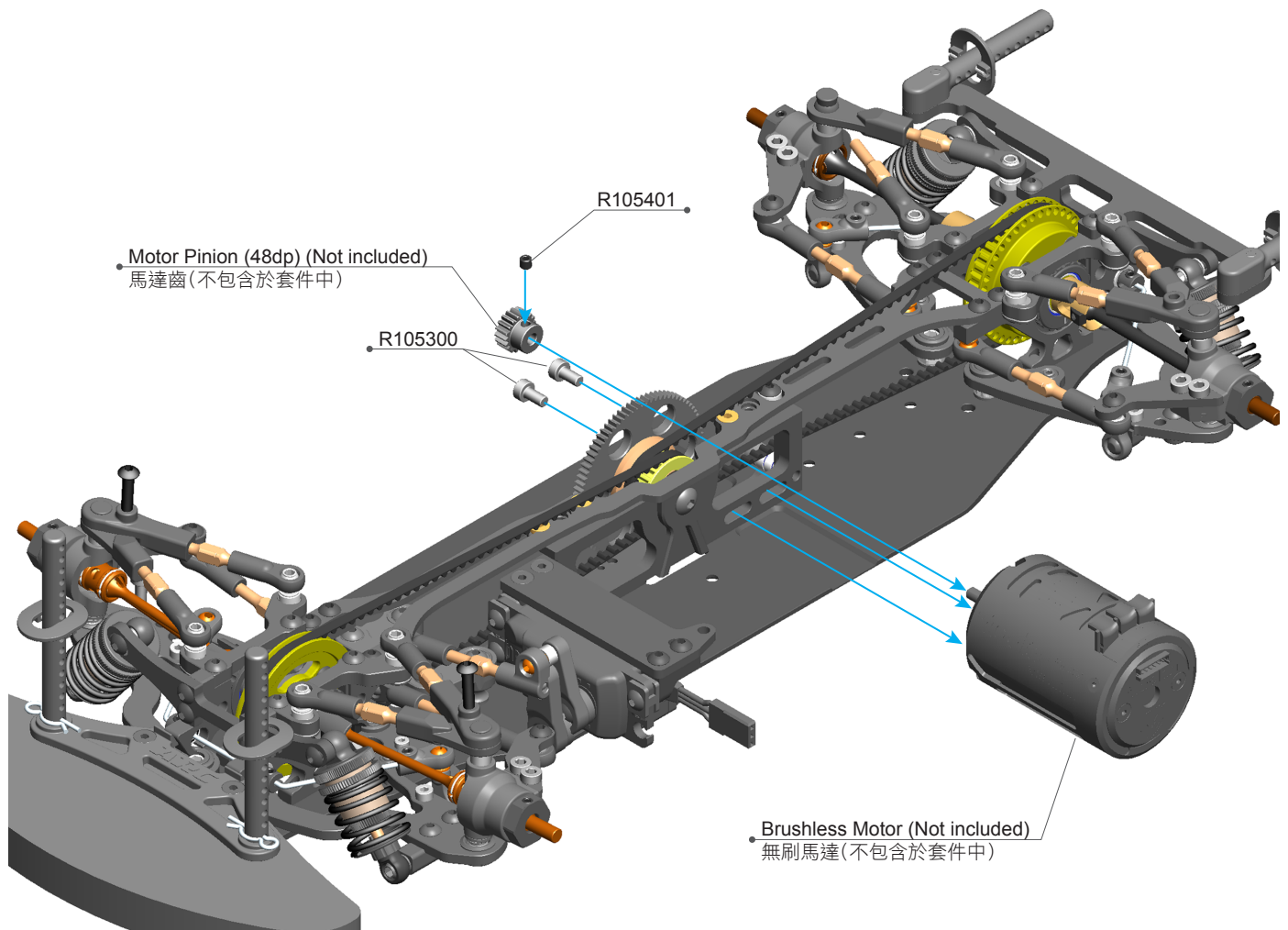
R105401
3x3mm Set Screw (10)

1:1 Scale

NOTICE



Adjust gear mesh from here / 請由此處來調整齒隙



R105300 3x6mm Cap Screw (10)

R105401 3x3mm Set Screw (10)

SHORTY LIPO BATTERY HOLDER / 短電池電池架



R102015
3x5.5x2mm Alu Shims (8)



R121015
Plastic Shims (1/2/3MM)



R105105
3x8 Round Screw (10)

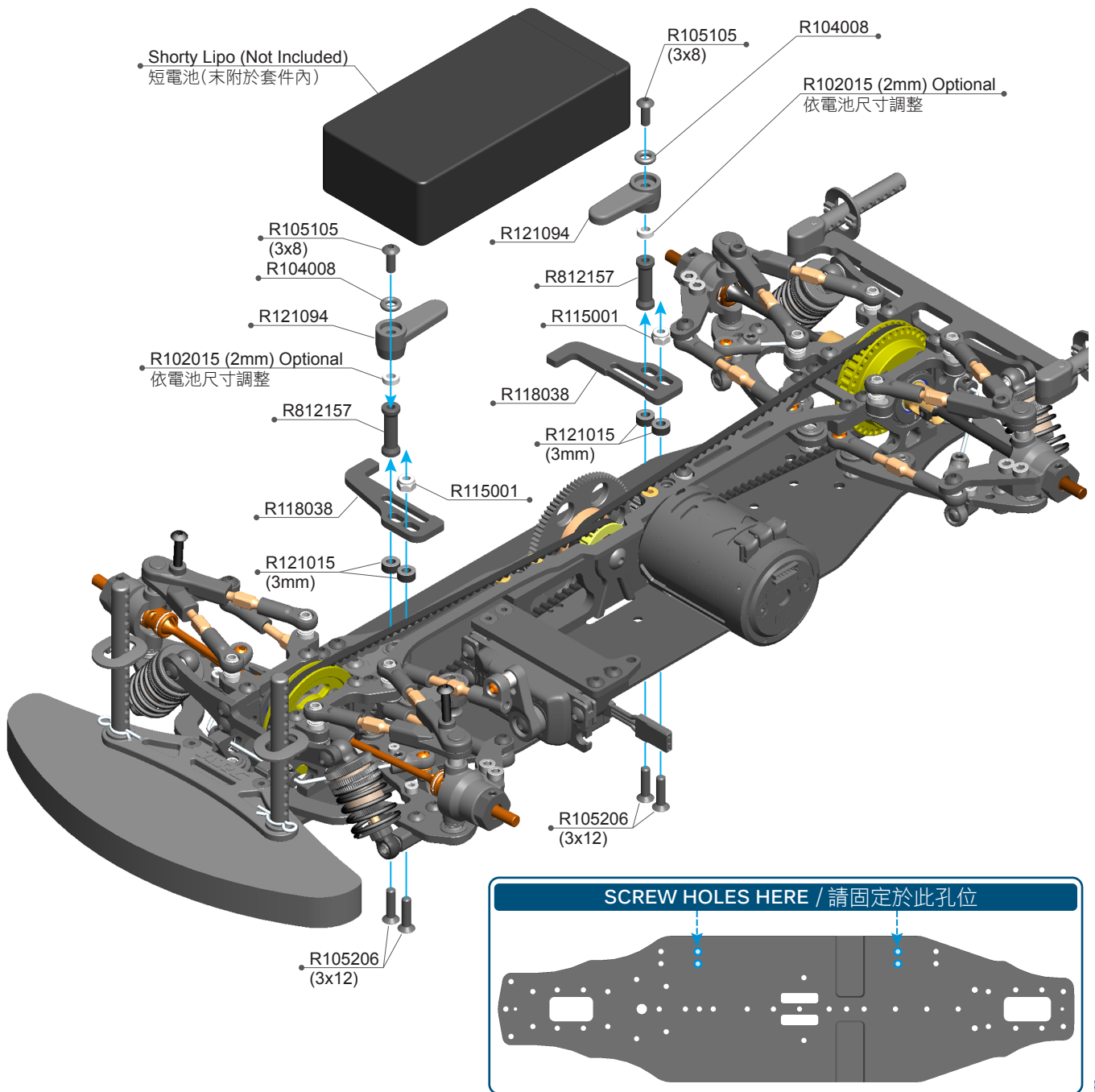


R105206
3x12mm Flat Screw (10)



R115001
3mm Nylon Nut-Black Alu (4)

1:1 Scale



R104008 O'ring 3x2(Hard)(4pcs)
R105105 3x8 Round Screw (10)
R105206 3x12mm Flat Screw (10)
R115001 3mm Nylon Nut-Black Alu (4)

R118038 R11 2019 Battery Guides-Carbon (2)
R121015 R12 Plastic Shims (1/2/3mm)
R121094 Battery Holder (2)
R812157 Aluminum Tower (2)

STANDARD LIPO BATTERY HOLDER / 標準鋰電池架



R102015
3x5.5x2mm Alu Shims (8)



R121015
Plastic Shims (1/2/3MM)



R105105
3x8 Round Screw (10)

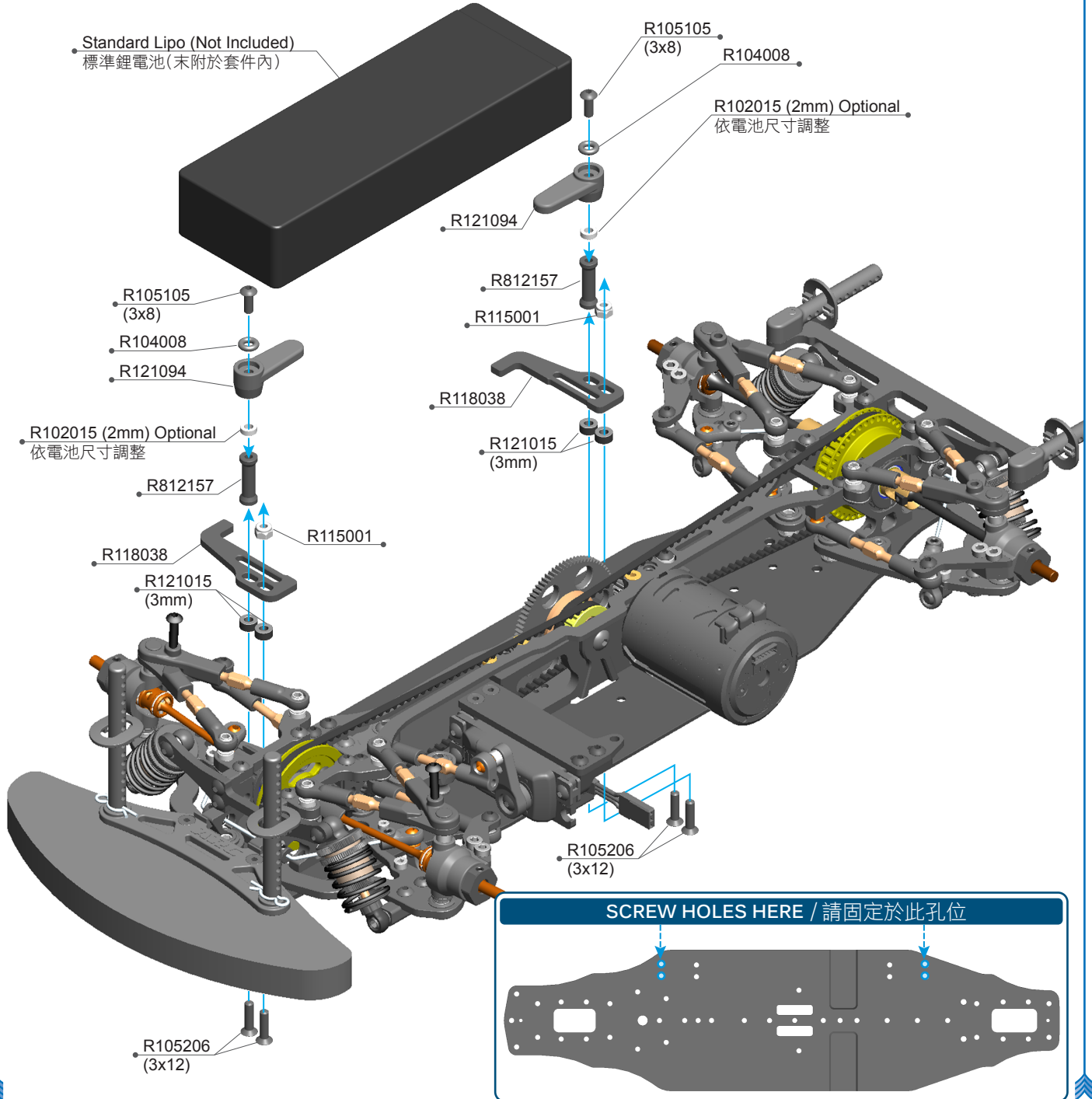


R105206
3x12mm Flat Screw (10)



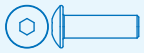
R115001
3mm Nylon Nut-Black Alu (4)

1:1 Scale



R104008 O'ring 3x2(Hard)(4pcs)
R105105 3x8 Round Screw (10)
R105206 3x12mm Flat Screw (10)
R115001 3mm Nylon Nut-Black Alu (4)

R118038 R11 2019 Battery Guides-Carbon (2)
R121015 R12 Plastic Shims (1/2/3mm)
R121094 Battery Holder (2)
R812157 Aluminum Tower (2)

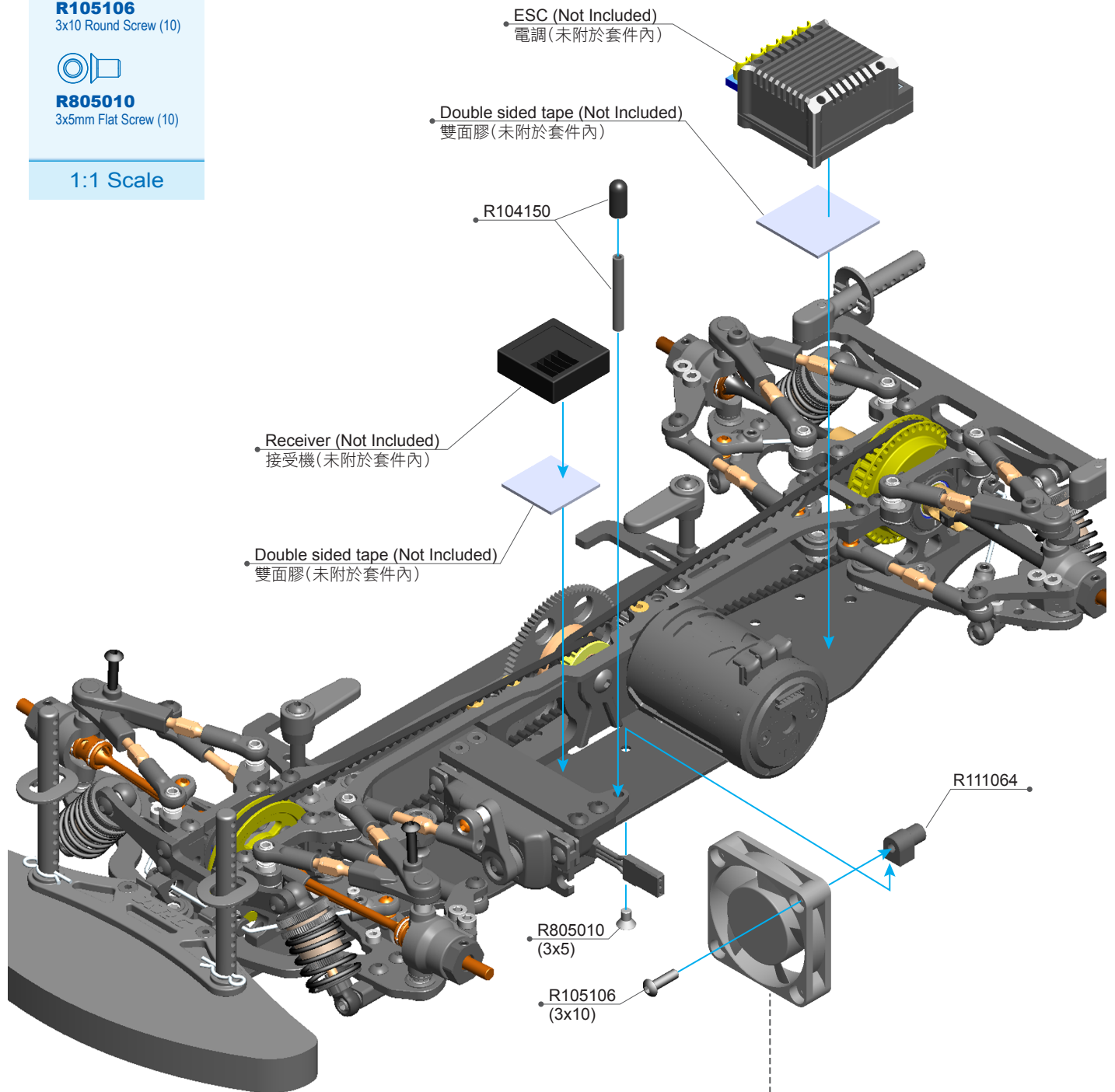


R105106
3x10 Round Screw (10)



R805010
3x5mm Flat Screw (10)

1:1 Scale



Option Parts (Not Included) / 改裝品 (未附於套件內)

TITAN 21002 H.V Motor cooling Fan / 強力風扇可以用來冷卻馬達

R104150 Antenna (1set)
R105106 3x10 Round Screw (10)

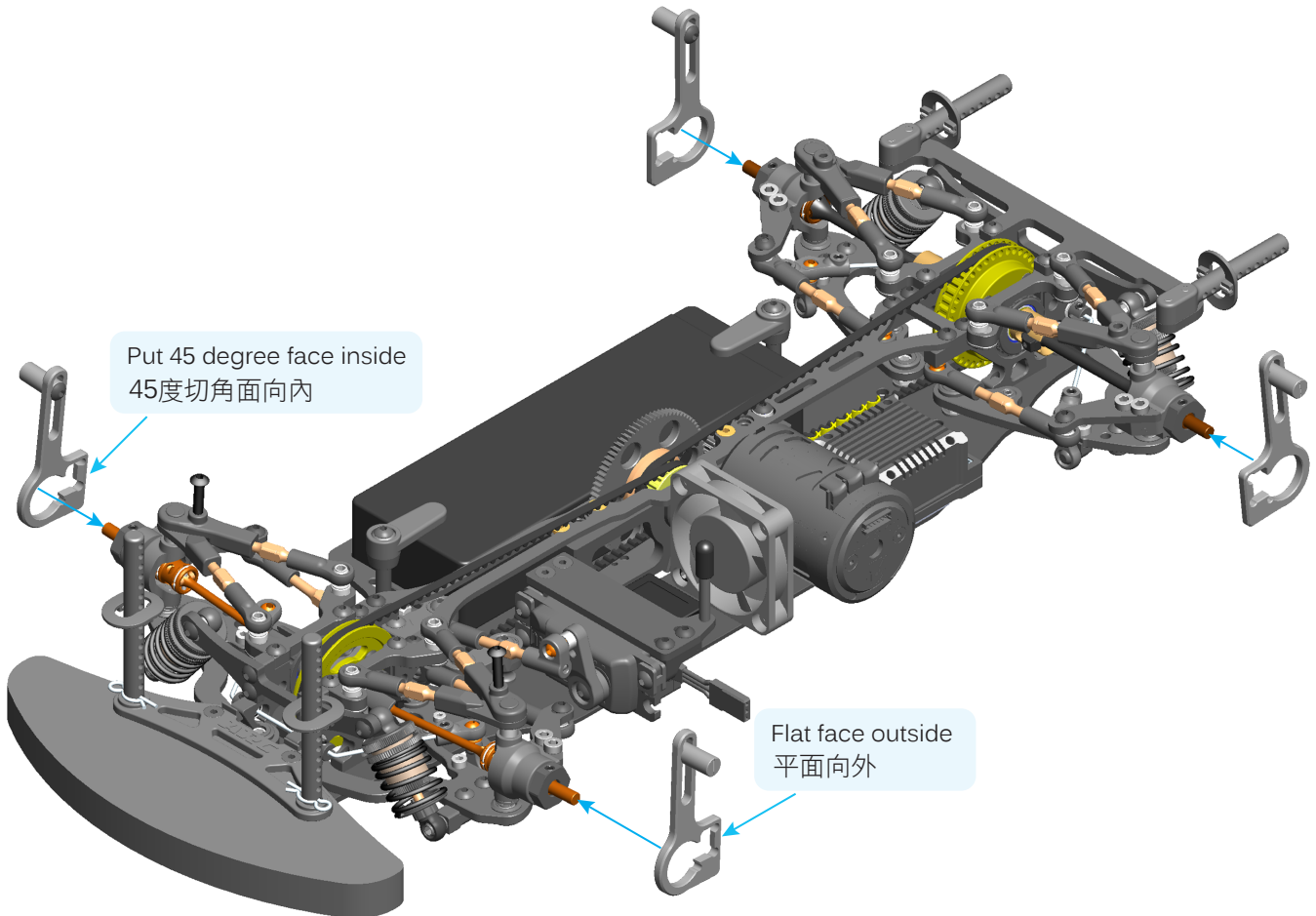
R111064 R11 Motor Fan Mount
R805010 3x5mm Flat Screw (10)

NOTICE

R139004 ARC Caster Gauge V2 Upper

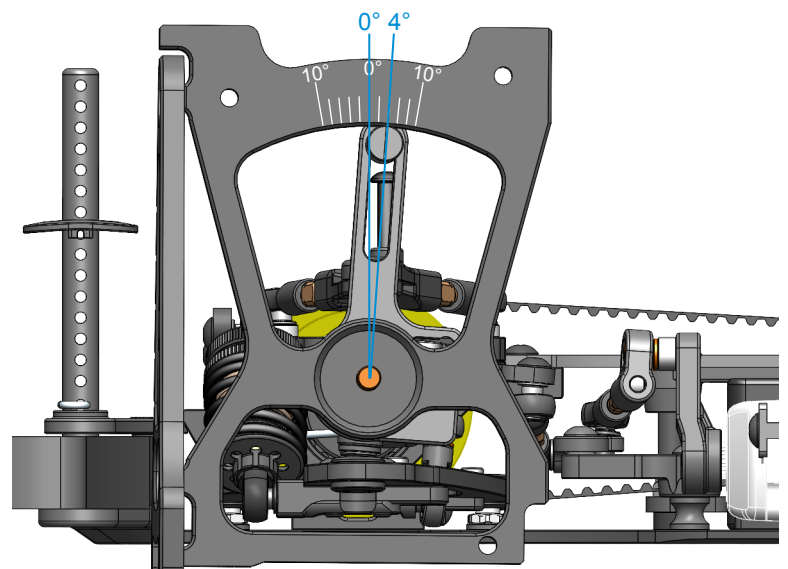
New Caster Gauge V2 for ARC R12.1 and A10, The V2 is designed to fit the steering plate move to the upper side of the steering block. the longer slot for the alignment mark can fit more different setup stations in the market.

當A10設定後傾角需使用R139004 傾角量具，此量具有分左右二邊請依下圖示分別裝上正確的位置以方便量測後傾角。



To adjust the caster angle a setup station is a necessary tool, most setup station have the caster angle gauge, and the initial setup of the front caster angle is -4 degrees.

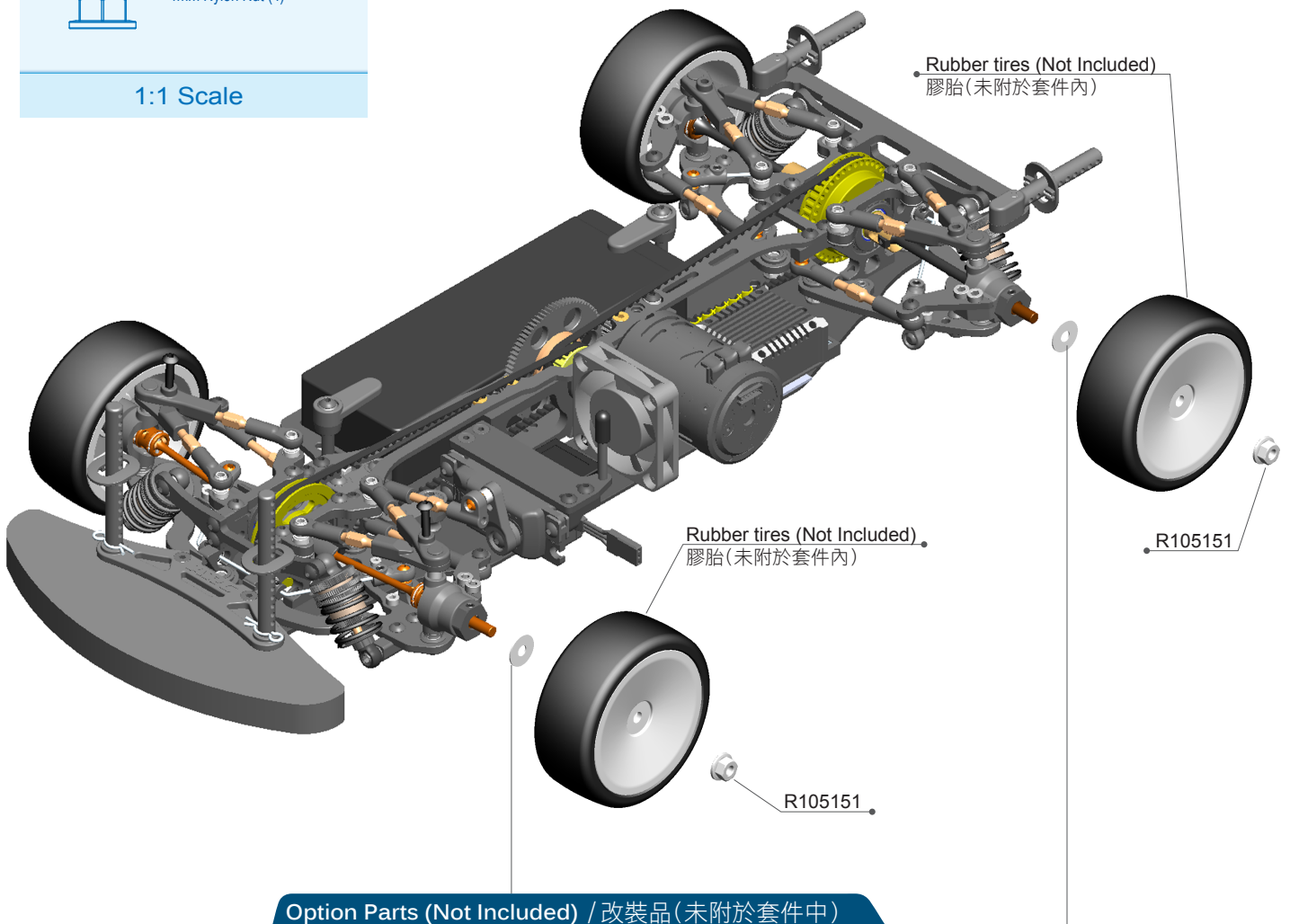
調整後傾角時，調車架是必需的工具，在多數的調車架上有標示後傾角的度數預設的前輪後傾角是-4度。





R105151
4mm Nylon Nut (4)

1:1 Scale



Rubber tires (Not Included)
膠胎(未附於套件內)

Rubber tires (Not Included)
膠胎(未附於套件內)

R105151

R105151

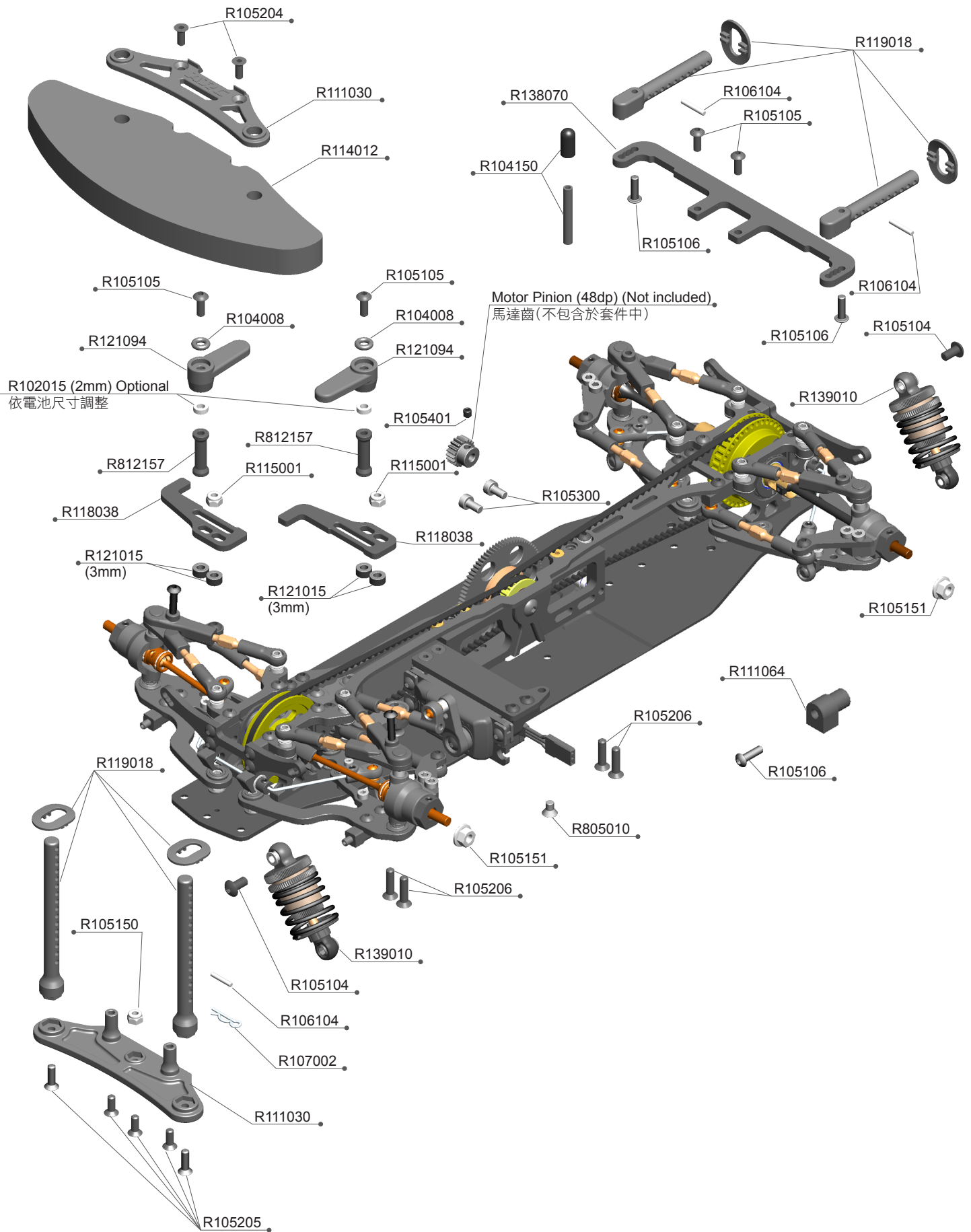
Option Parts (Not Included) / 改裝品(未附於套件中)

R103028 4x11x0.25mm Shims (8)

R103029 4x11x0.5mm Shims (8)

The track width can be increased by adding R103028 (0.25mm) and R103029 (0.5mm).
車寬可以使用R103028 0.25mm與R103029 0.5mm墊片來增加車寬。



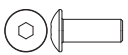
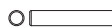
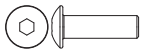







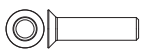

R10-23 BAG 06 PARTS EXPLODED VIEW



R10-23 BAG 06 PARTS LIST

R104008	O'ring 3x2(Hard)(4pcs)	R107002	R-Clip(8pcs)
R104150	Antenna (1set)	R111030	R11 2019 Bumper Set
R105104	3x6 Round Screw (10)	R111064	R11 Motor Fan Mount
R105105	3x8 Round Screw (10)	R114012	R11 2019 Foam Bumper-HARD
R105106	3x10 Round Screw (10)	R115001	3mm Nylon Nut-Black Alu (4)
R105150	3mm Nylon Nut (10)	R118038	R11 2019 Battery Guides-Carbon (2)
R105151	4mm Nylon Nut (4)	R119018	R11 Body Mount Set
R105204	3x8mm Flat Screw (10)	R121015	R12 Plastic Shims (1/2/3mm)
R105205	3x10mm Flat Screw (10)	R121094	Battery Holder (2)
R105206	3x12mm Flat Screw (10)	R138070	A10-23 Rear Body Tower Plate
R105300	3x6mm Cap Screw (10)	R139004	ARC Caster Gauge V2 Upper
R105401	3x3mm Set Screw (10)	R805010	3x5mm Flat Screw (10)
R106104	2x11.8mm Pin (10pcs)	R812157	Aluminum Tower (2)

1:1 SCALE

	R105104 3x6 Round Screw (10)		R105401 3x3mm Set Screw (10)
	R105105 3x8 Round Screw (10)		R106104 Ø2x11.8 Pin (10)
	R105106 3x10 Round Screw (10)		R105150 3mm Nylon Nut (10)
	R805010 3x5mm Flat Screw (10)		R105151 4mm Nylon Nut (4)
	R105204 3x8mm Flat Screw (10)		R115001 3mm Nylon Nut-Black Alu (4)
	R105205 3x10mm Flat Screw (10)		R121015 Plastic Shims (2MM)
	R105206 3x12mm Flat Screw (10)		
	R105300 3x6mm Cap Screw (10)		